



US00D915902S

(12) **United States Design Patent**
Mastronardi

(10) **Patent No.:** **US D915,902 S**
(45) **Date of Patent:** **** Apr. 13, 2021**

(54) **STAR SHAPED CONTAINER**
(71) Applicant: **Mastronardi Produce Ltd.**, Kingsville (CA)
(72) Inventor: **Paul Mastronardi**, Leamington (CA)
(73) Assignee: **MASTRONARDI PRODUCE LIMITED**, Kingsville (CA)

D593,323 S * 6/2009 Kaspor D9/669
D678,782 S * 3/2013 Andreotti D9/669
D685,647 S * 7/2013 Andreotti D9/669
D697,676 S * 1/2014 Hansen D9/669
D697,686 S * 1/2014 Kerr D1/106
D729,576 S * 5/2015 Habig D9/669
D731,007 S * 6/2015 Davies, III D21/680
D803,069 S * 11/2017 Figuls D9/669

(**) Term: **15 Years**

(21) Appl. No.: **29/709,961**

(22) Filed: **Oct. 18, 2019**

(51) **LOC (13) Cl.** **09-01**

(52) **U.S. Cl.**
USPC **D9/669**; D9/426

(58) **Field of Classification Search**
USPC D7/514-520, 539, 571, 301, 599, 604,
D7/613, 619.2, 623, 625, 628, 675, 392.1;
D9/600, 667, 669, 500-516, 519-521,
D9/414-434; 206/494, 457, 459.1, 459.2;
220/890; 215/206, 260, 387-400;
D3/270-271.9
CPC B65D 67/00; B65D 81/36; B65D 81/366;
B65D 41/00; B65D 41/02; B65D 43/00;
B65D 43/02; B65D 5/42; A63H 33/10;
A63B 59/50

See application file for complete search history.

(56) **References Cited**

U.S. PATENT DOCUMENTS

D431,187 S * 9/2000 Davis D9/669
D438,788 S * 3/2001 Rigel D9/669
D462,898 S * 9/2002 Weinstock D9/669
D521,370 S * 5/2006 Beutler D9/669
D529,396 S 10/2006 Whipple
D551,979 S * 10/2007 Daniels D9/456

OTHER PUBLICATIONS

48pcs/packet B110 Wholesale New 38mm Mini Small Star Shape Clear Nail Art Findings Display Storage Box Container Cases; AliExpress; <<https://www.aliexpress.com/item/1658407780.html>> Mar. 31, 2019; 1 page.

(Continued)

Primary Examiner — Sandra L Morris

(74) *Attorney, Agent, or Firm* — Dinsmore & Shohl LLP

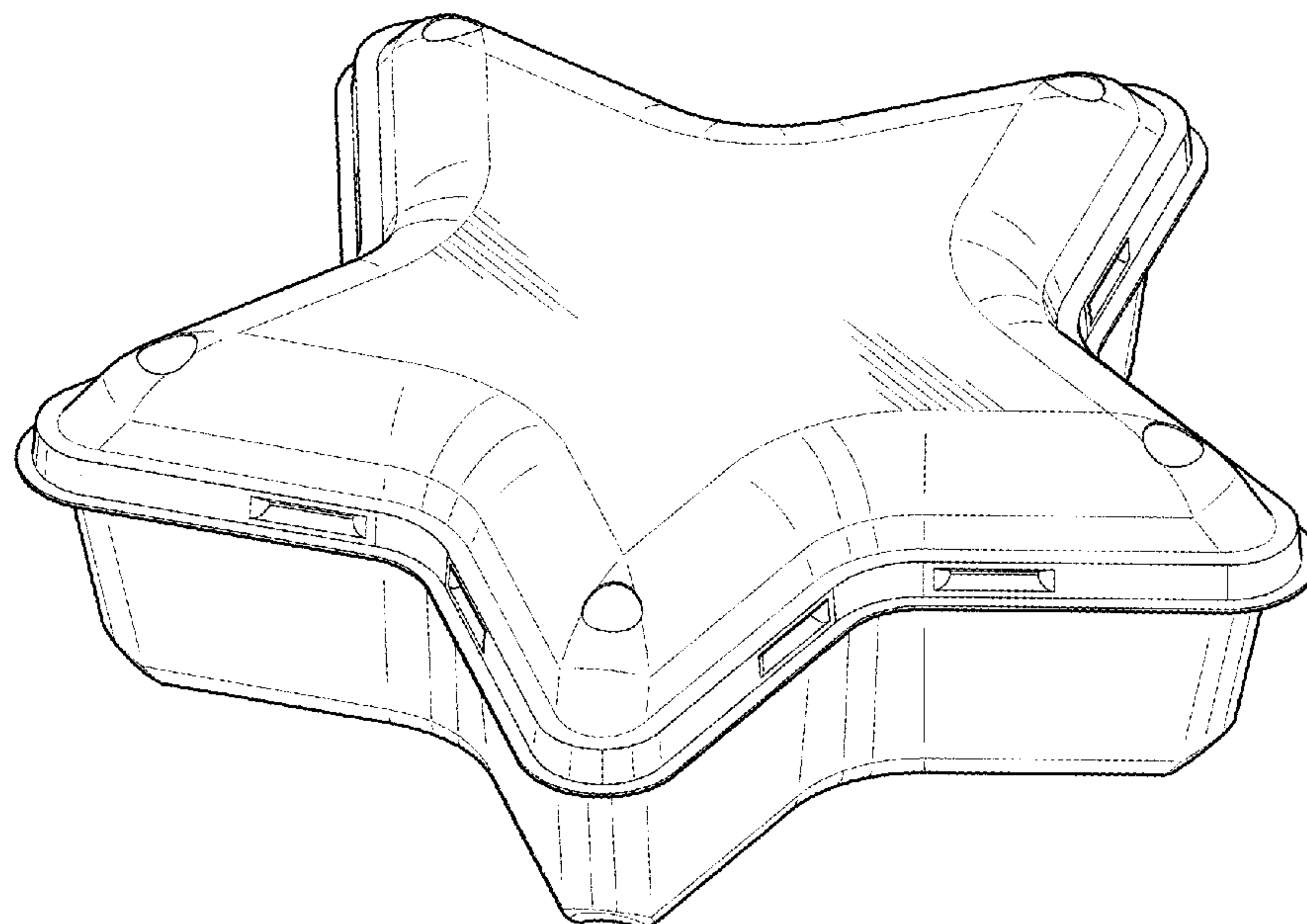
(57) **CLAIM**

The ornamental design for a star shaped container, as shown and described.

DESCRIPTION

FIG. 1 is a perspective view of a top or upper side of an assembled container;
FIG. 2 is a planar view of the top of the assembled container;
FIG. 3 is a planar view of a portion of a side of the assembled container;
FIG. 4 is a planar view of a further portion of a side of the assembled container;
FIG. 5 is a planar view of a base or under side of the assembled container;
FIG. 6 is a planar view of another portion of a side of the assembled container; and,
FIG. 7 is a planar view of yet another portion of a side of the assembled container.

1 Claim, 3 Drawing Sheets



(56)

References Cited

OTHER PUBLICATIONS

Star Container/Chocolate Covered Candies; GOimprints; <<https://www.goimprints.com/product/star-container-chocolate-covered-candies-6294244>> Dec. 7, 2015; 1 page.

Star Shaped Food Containers; Box & Wrap; <https://www.amazon.com/Cornucopia-Candle-Containers-Christmas-Holiday/dp/B07Z9NX72C/ref=sr_1_5?keywords=star+shaped+container&qid=1580481523&sr=8-5> Oct. 18, 2019; 1 page.

Cornucopia Star Candle Tins (4-Pack, Gold); Star Shaped Metal Containers for Christmas, Holiday, and Crafts; Cornucopia Brands; <https://www.amazon.com/Cornucopia-Candle-Containers-Christmas-Holiday/dp/B07Z9NX72C/ref=sr_1_5?keywords=star+shaped+container&qid=1580481523&sr=8-5> Oct. 18, 2019; 1 page.

Double head&cnc cutting saw machine christmas gift packing shoe tin pacakaging box bag tins food container for ladies; Lang Hong; <https://www.alibaba.com/product-detail/Double-head-cnc-cutting-saw-machine_62156964259.html?spm=a2700.galleryofferlist.0.0.39381b40wXfk5t> Sep. 11, 2017; 1 page.

Christmas star shape candy tin box storage candy sugare, a nice gifting for kids; MeiJia; <https://www.alibaba.com/product-detail/christmas-star-shape-candy-tin-box_60676601864.html?spm=a2700.galleryofferlist.0.0.39381b40wXfk5t> Sep. 11, 2017; 1 page.

* cited by examiner

FIG. 1

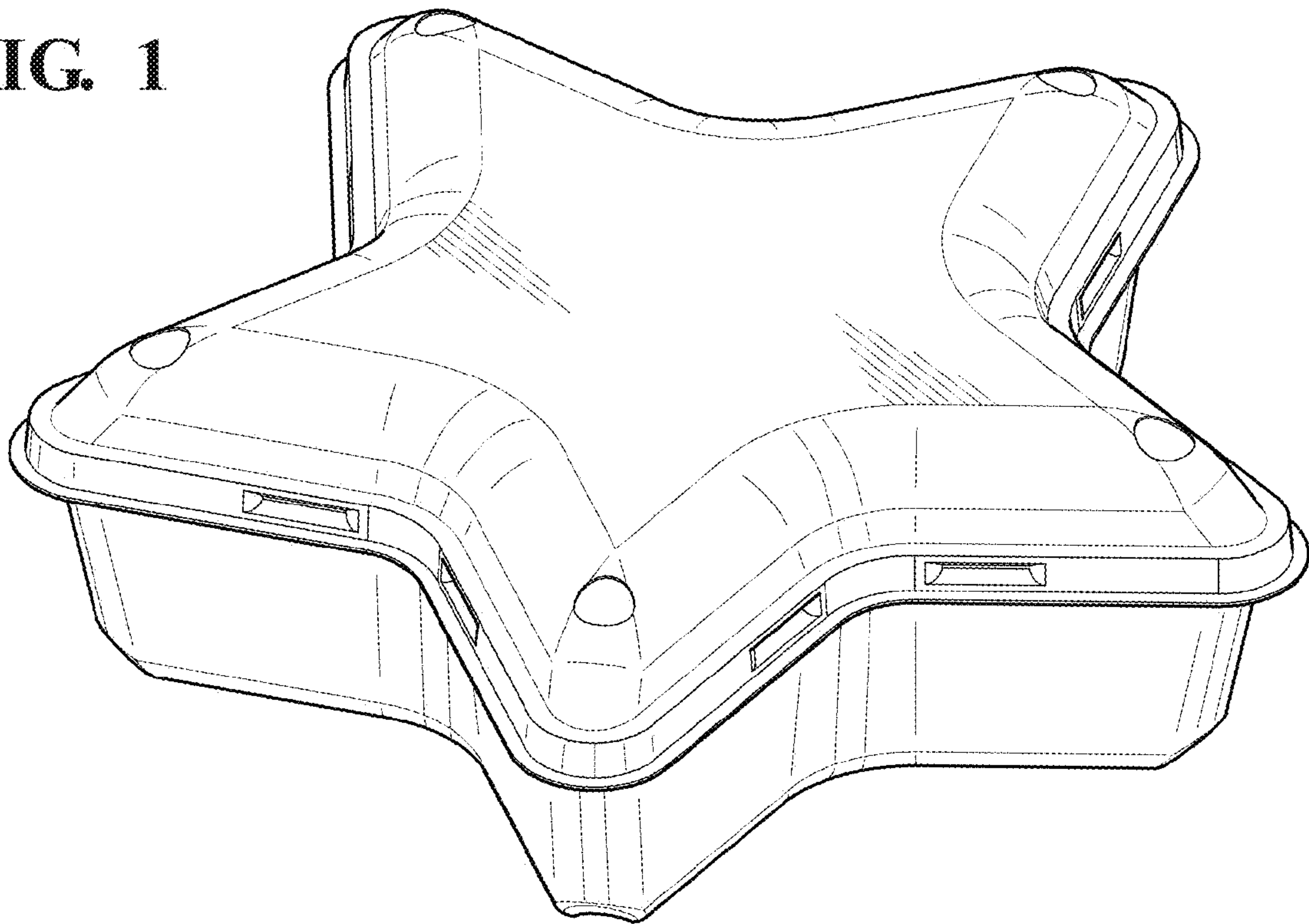
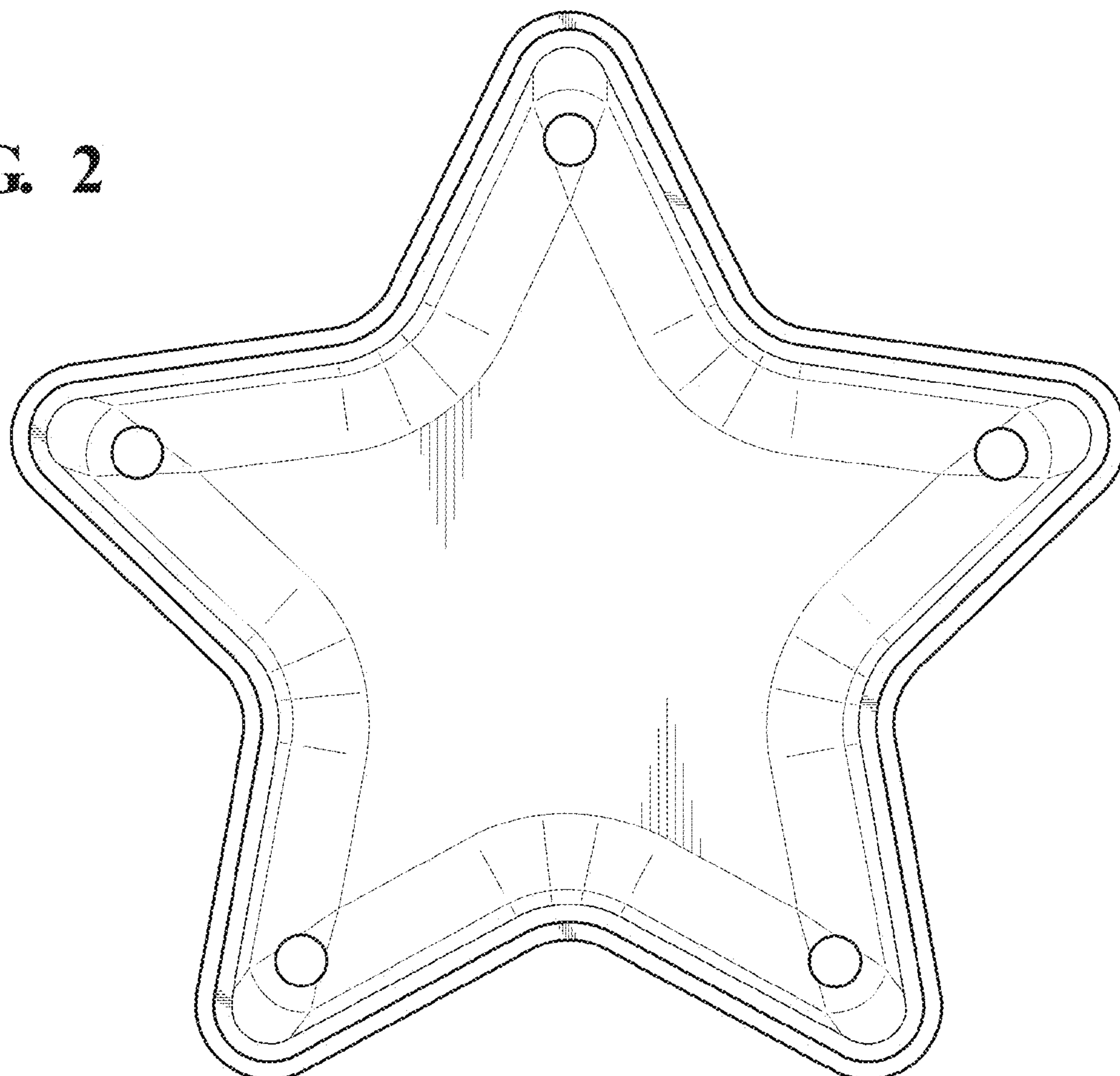


FIG. 2



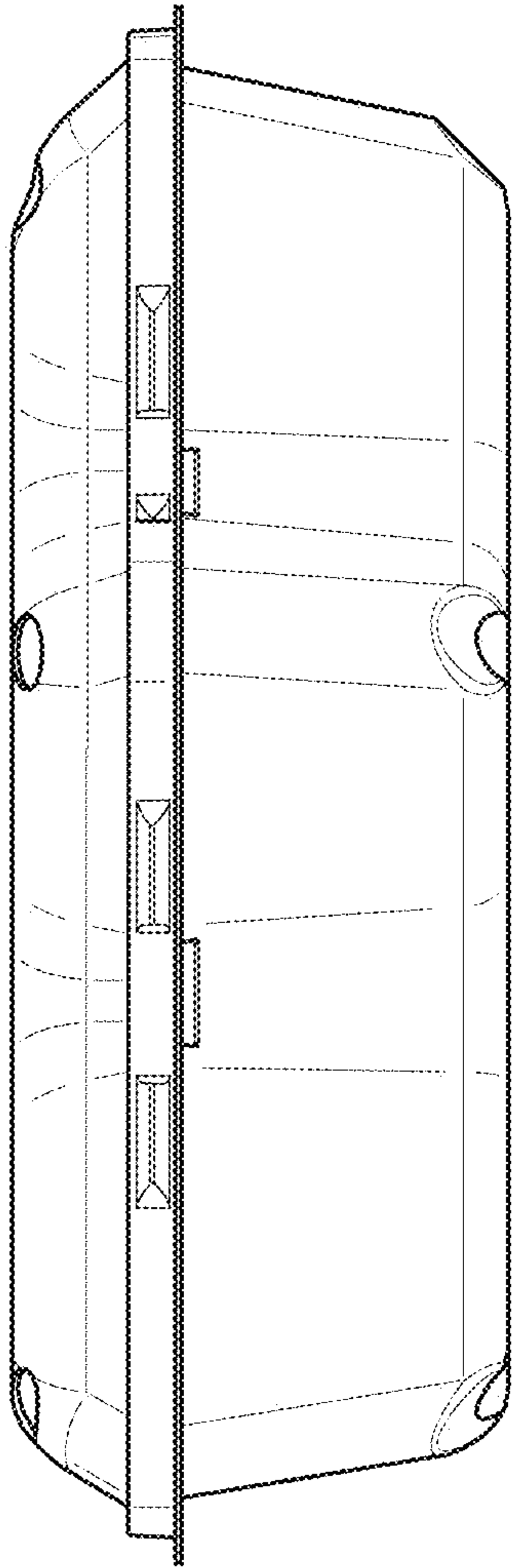


FIG. 3

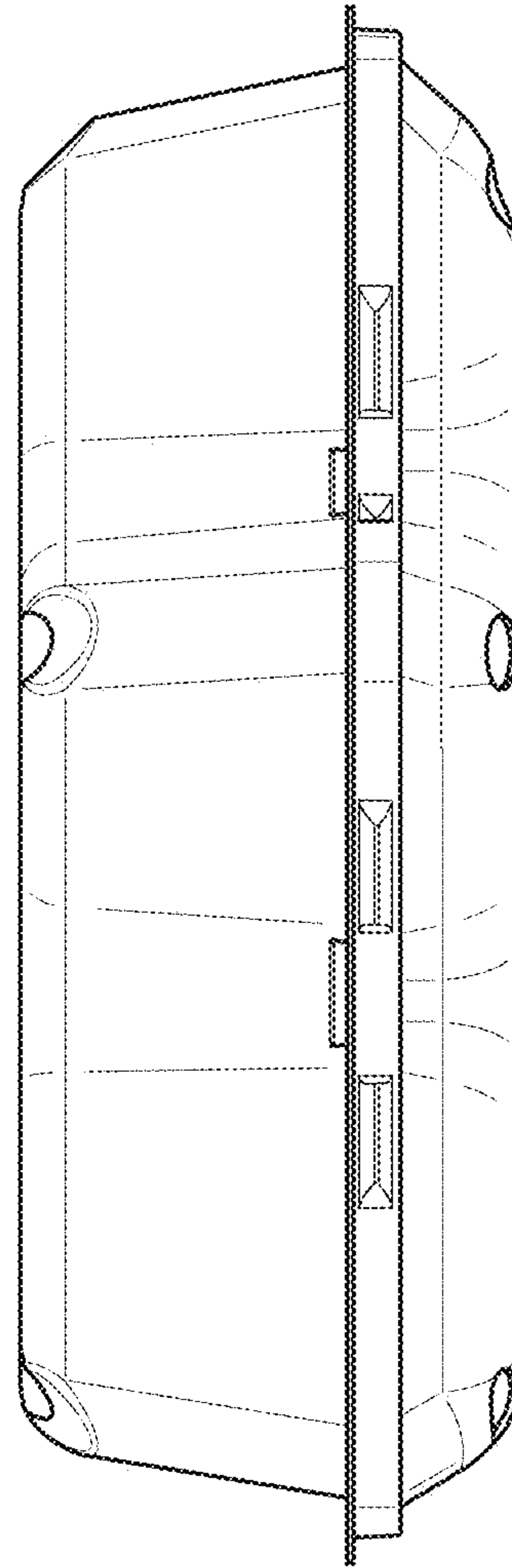


FIG. 4

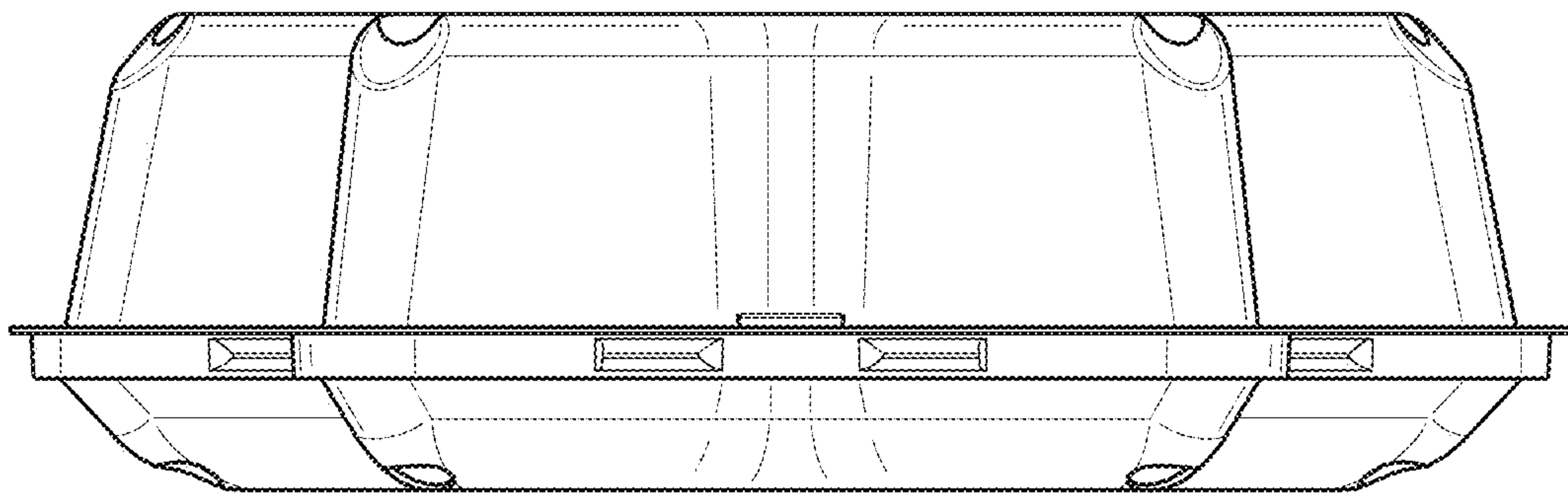


FIG. 7

FIG. 5

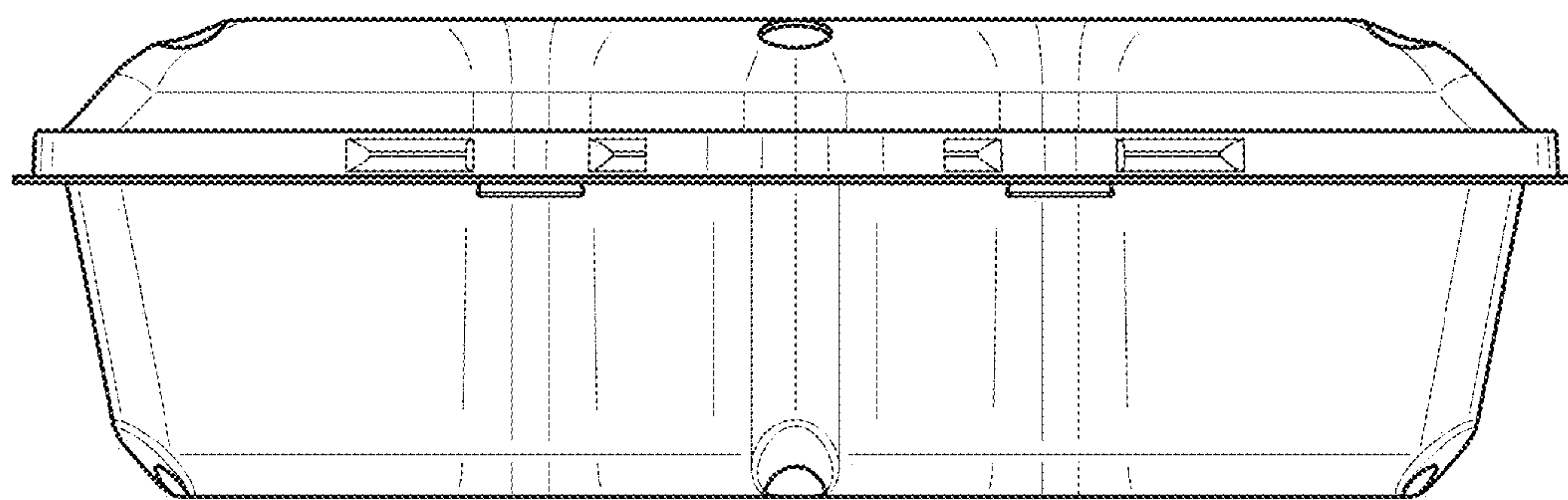
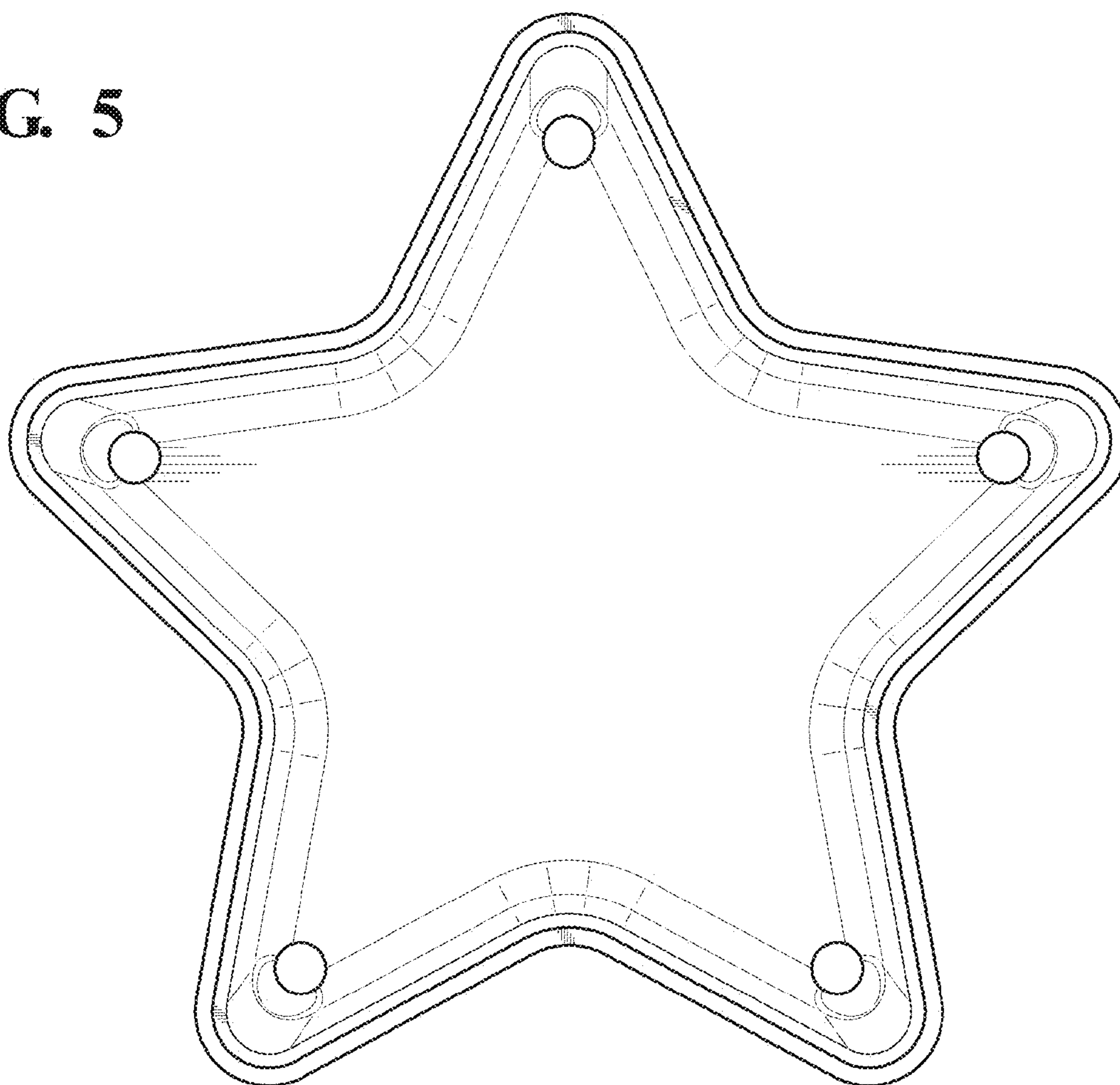


FIG. 6