



US00D915901S

(12) **United States Design Patent** (10) **Patent No.:** **US D915,901 S**
Franco (45) **Date of Patent:** **** *Apr. 13, 2021**

(54) **BOTTLE**
(71) Applicant: **Abraham Franco**, North Miami Beach, FL (US)
(72) Inventor: **Abraham Franco**, North Miami Beach, FL (US)
(*) Notice: This patent is subject to a terminal disclaimer.
(**) Term: **15 Years**

4,708,911 A * 11/1987 Mage A63H 33/16
428/12
D351,182 S * 10/1994 Mage D17/24
D363,430 S * 10/1995 Danowski D9/520
D365,760 S * 1/1996 Chahed D9/516
D456,244 S * 4/2002 Davis D9/667
D467,519 S * 12/2002 Arendt D11/181
D537,725 S * 3/2007 Varlet D9/544
D544,362 S * 6/2007 Rica D9/544
D646,156 S * 10/2011 Maxwell-Wood A63H 33/16
D9/414
D654,365 S * 2/2012 Im D9/520
D714,676 S * 10/2014 Lash D11/81

* cited by examiner

(21) Appl. No.: **29/666,182**
(22) Filed: **Oct. 10, 2018**
(51) **LOC (13) Cl.** **09-01**
(52) **U.S. Cl.**
USPC **D9/667; D9/520; D9/544; D9/575**
(58) **Field of Classification Search**
USPC D3/202, 270, 271.1–271.4; D7/301–303, D7/509–511, 514–521, 529, 594, 599, D7/604, 613, 619.2, 623, 628; D9/600, D9/649, 667, 500–516, 520, 523, 528, D9/544–546, 562, 572–575; 206/457, 206/459.5, 527; 215/381–384, 400; D11/44, 48, 62, 81
CPC B65D 5/42; B65D 5/4258; B65D 81/60; B65D 81/365; B65D 81/366; B65D 81/368; B65D 2203/00; B65D 2203/02; B65D 5/4208; B65D 77/00; B65D 67/00; A63H 33/16
See application file for complete search history.

Primary Examiner — Sandra L Morris
(74) *Attorney, Agent, or Firm* — Dunlap Bennett & Ludwig, PLLC; Brendan E. Squire

(57) **CLAIM**

The ornamental design for a bottle, as shown and described.

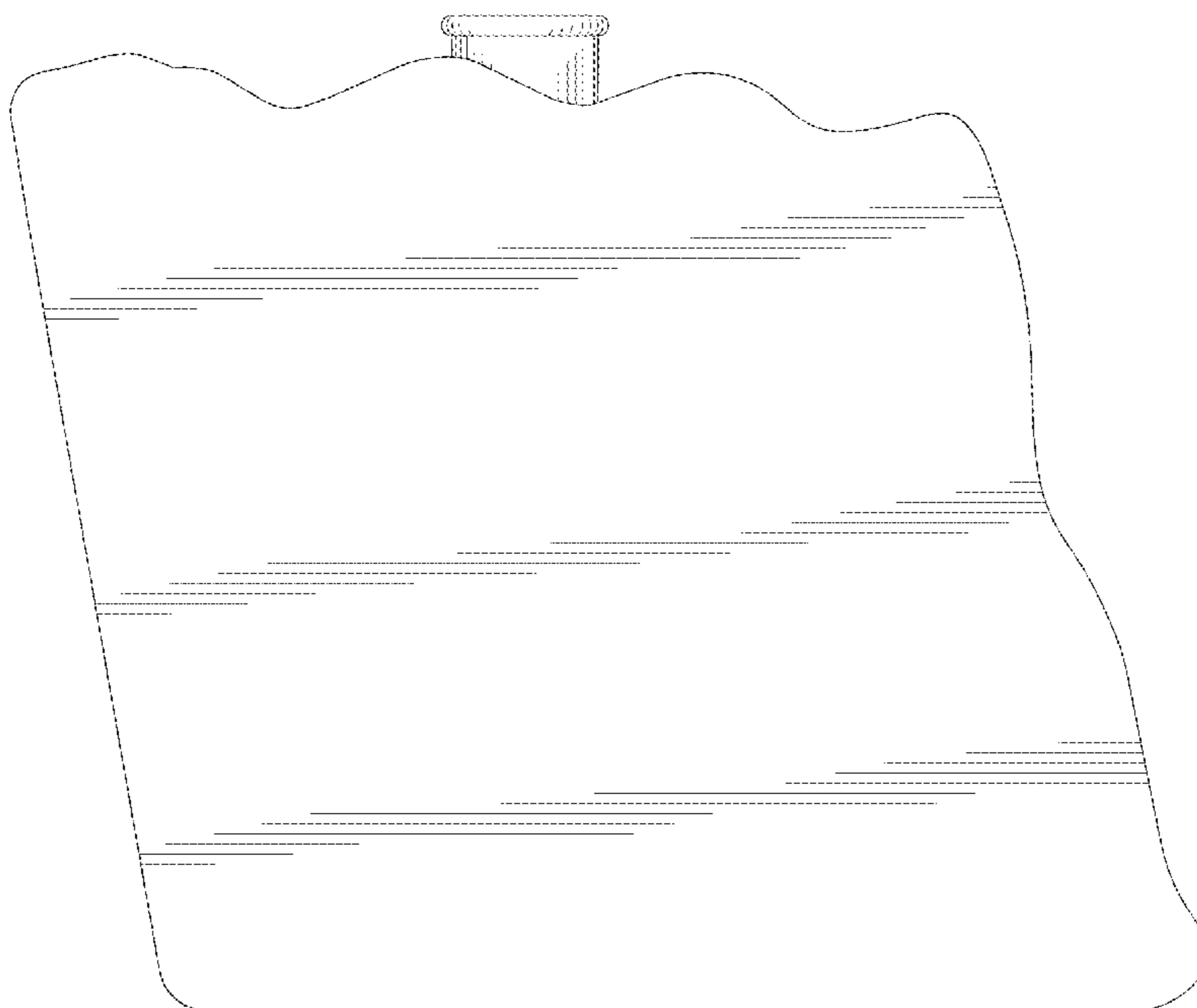
DESCRIPTION

FIG. 1 is a front elevation view of a bottle showing my new design;
FIG. 2 is a front perspective view thereof;
FIG. 3 is a rear elevation view thereof;
FIG. 4 is a ¾ perspective view thereof;
FIG. 5 is a top plan view thereof;
FIG. 6 is a bottom plan view thereof;
FIG. 7 is a left side elevation view thereof; and,
FIG. 8 is a right side elevation view thereof.

(56) **References Cited**
U.S. PATENT DOCUMENTS

D131,590 S * 3/1942 Kaufman D11/48
D172,104 S * 5/1954 Moyer D9/523

1 Claim, 8 Drawing Sheets



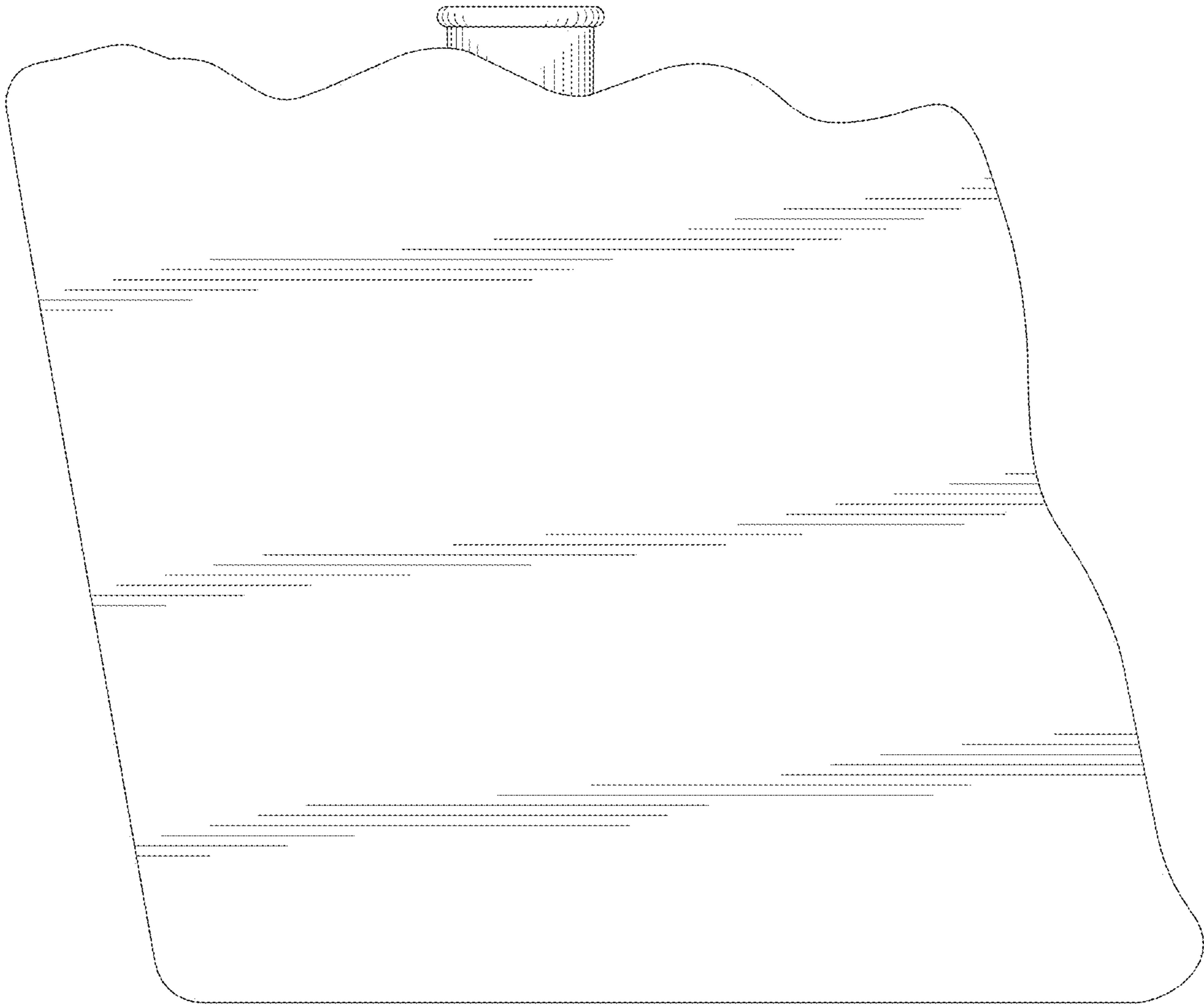


FIG. 1

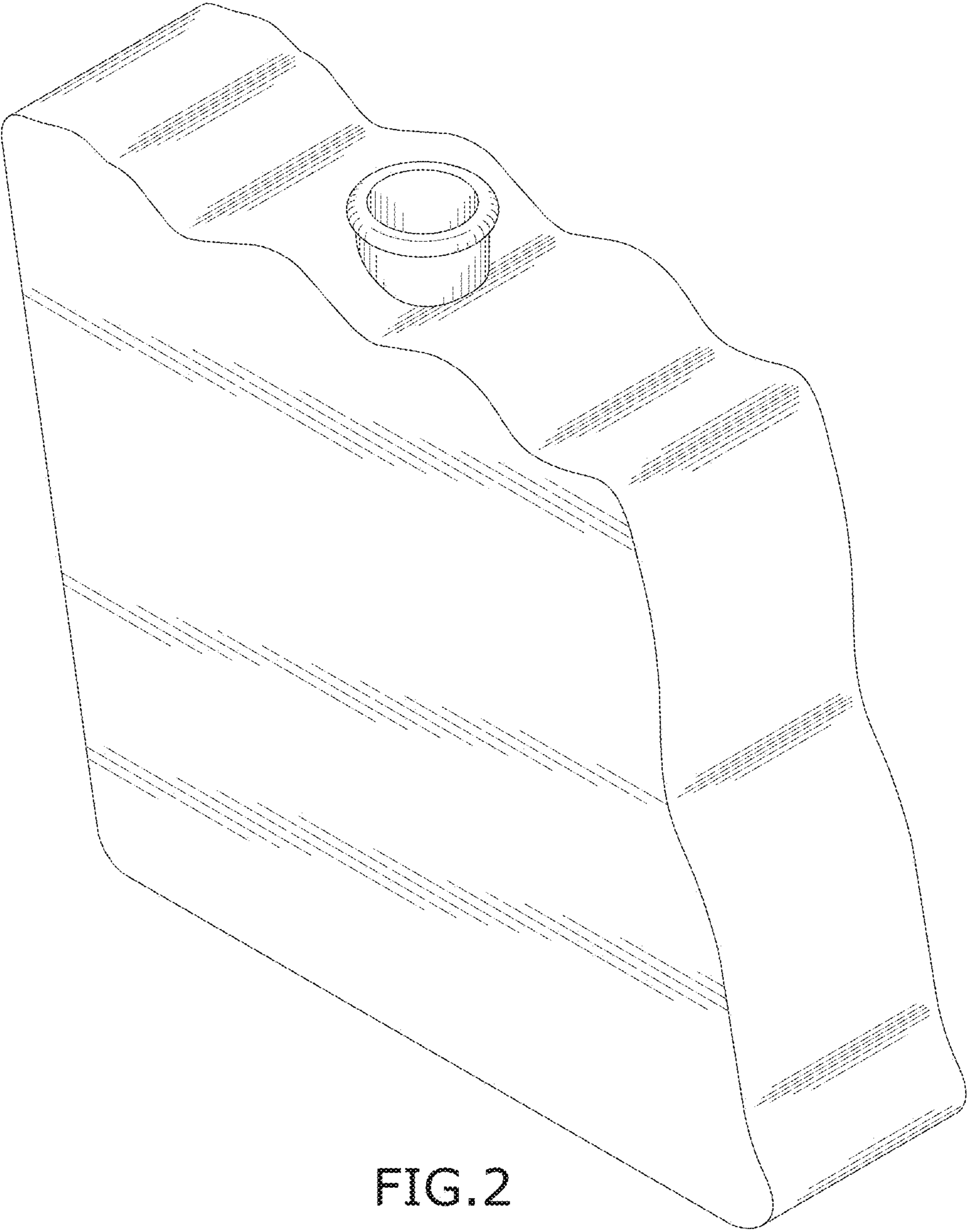


FIG. 2

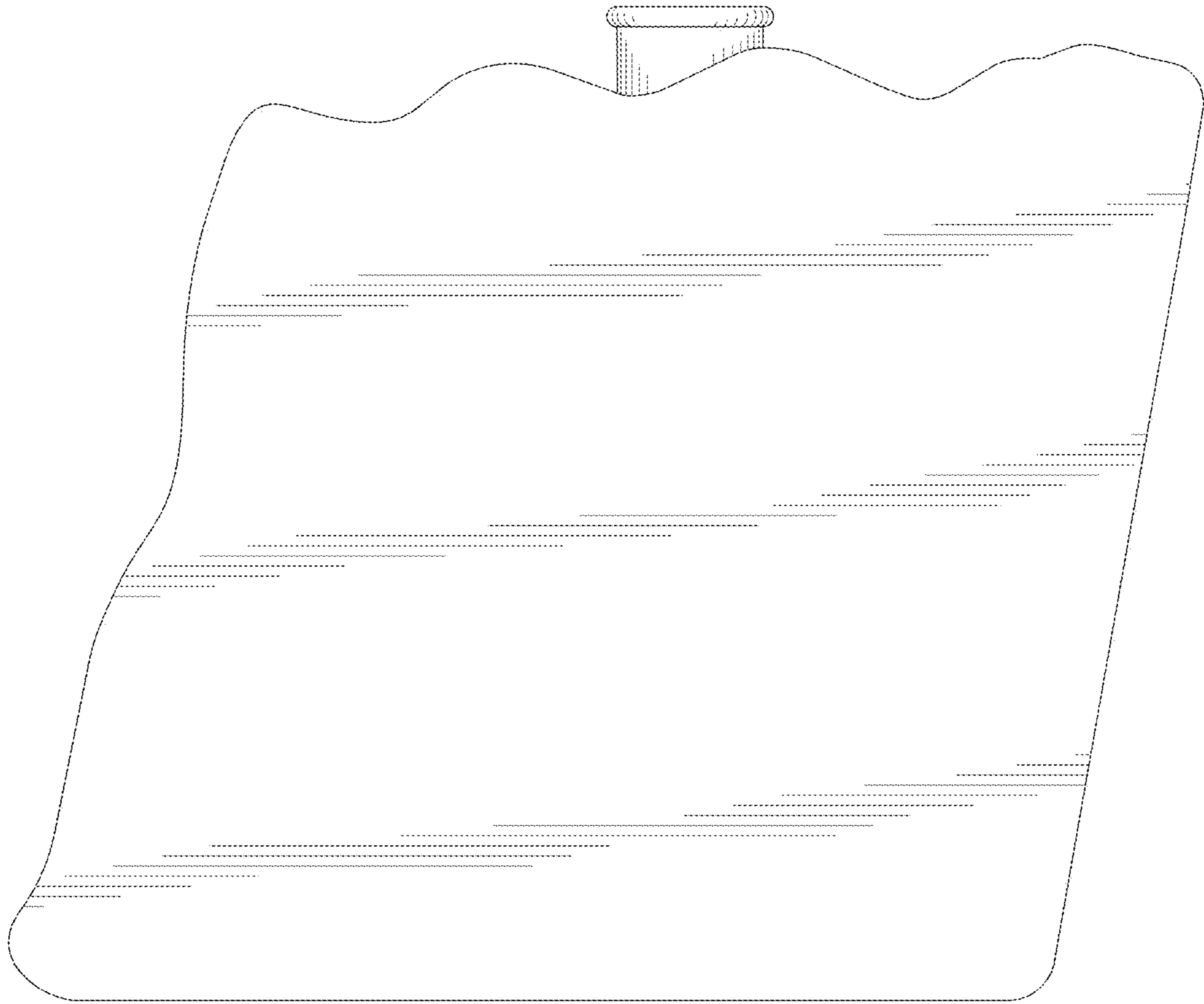


FIG. 3

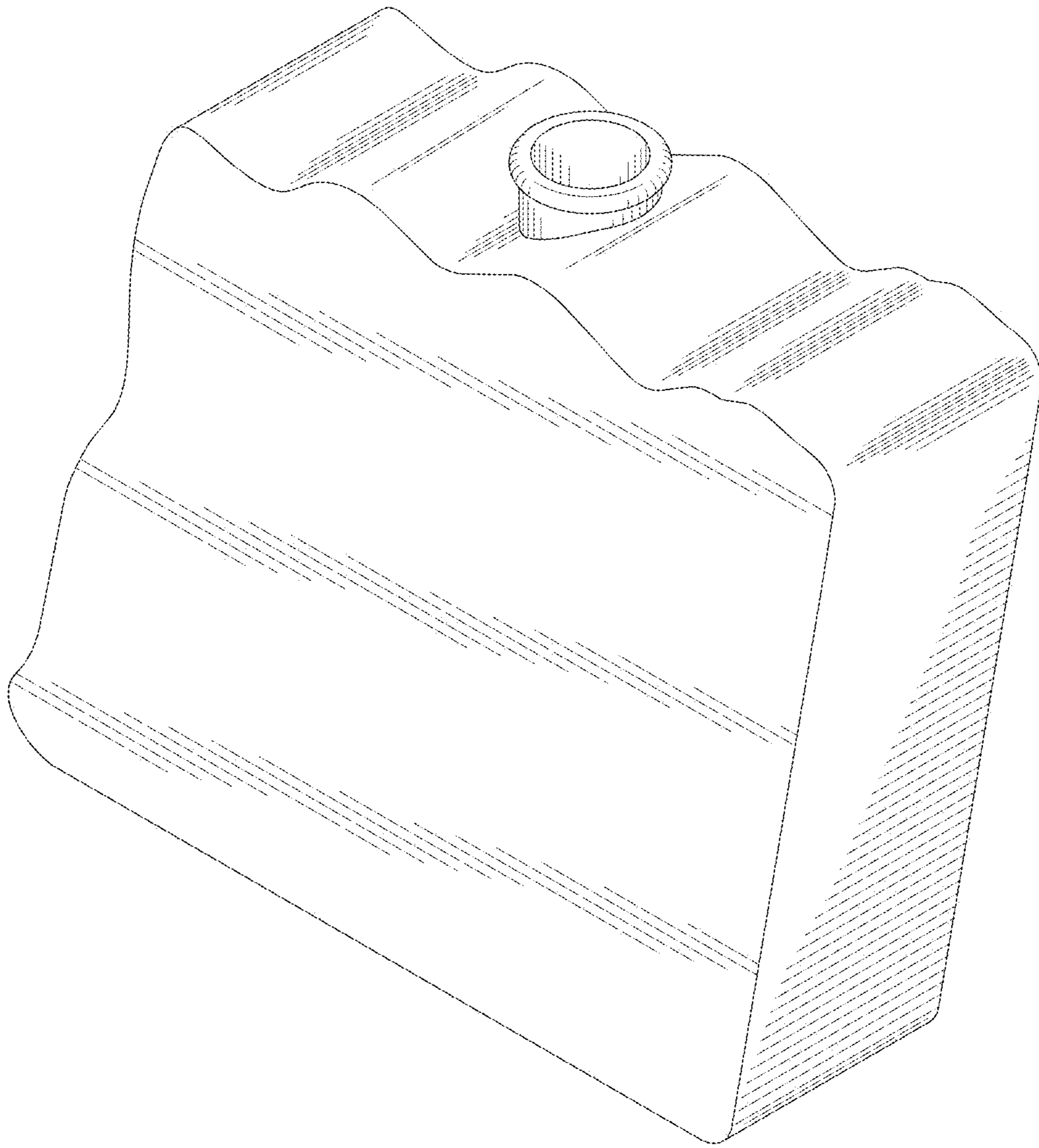


FIG.4

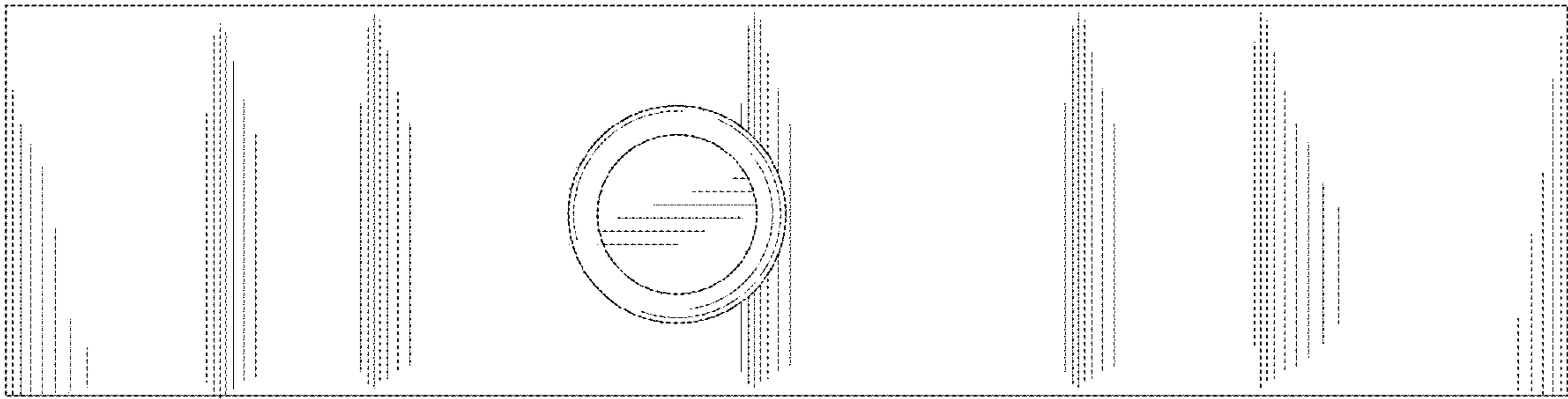


FIG. 5

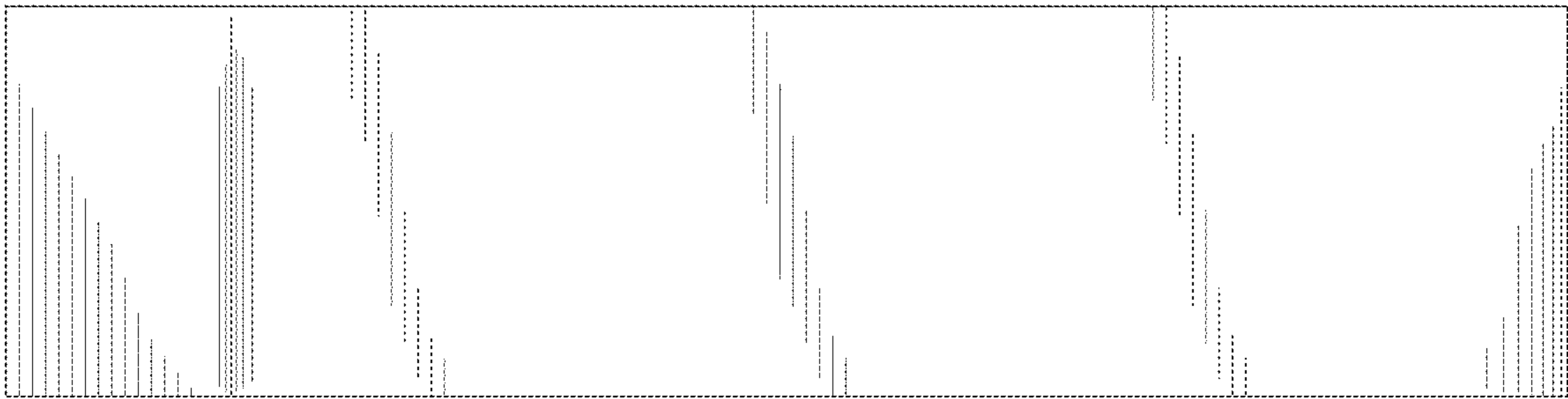


FIG. 6

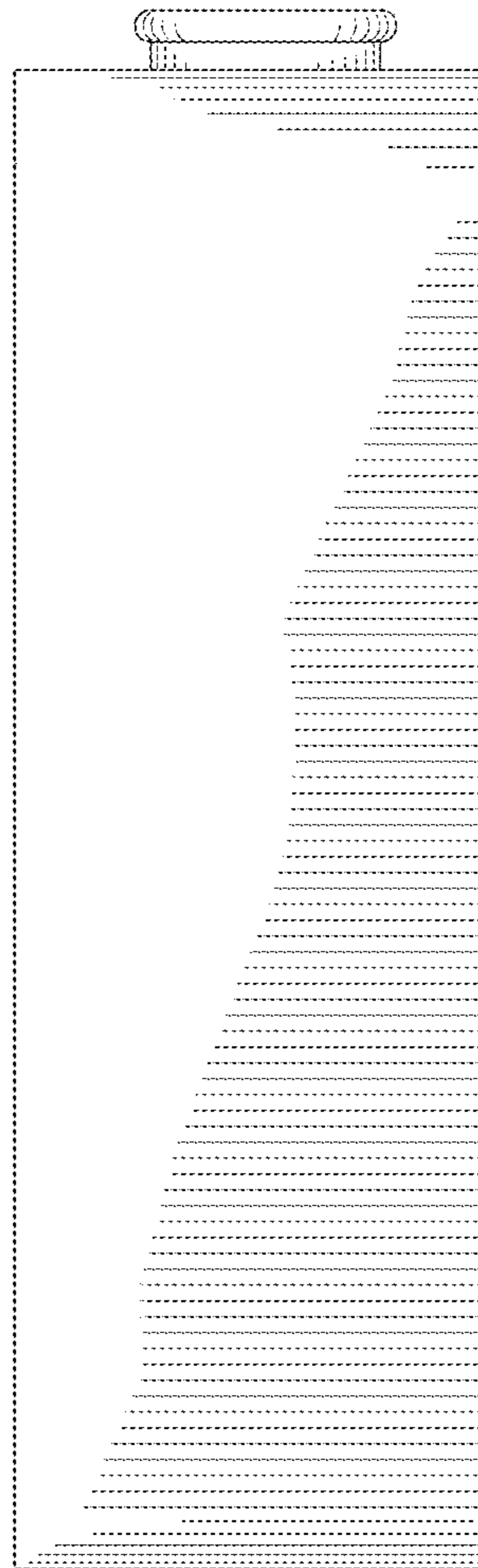


FIG. 7

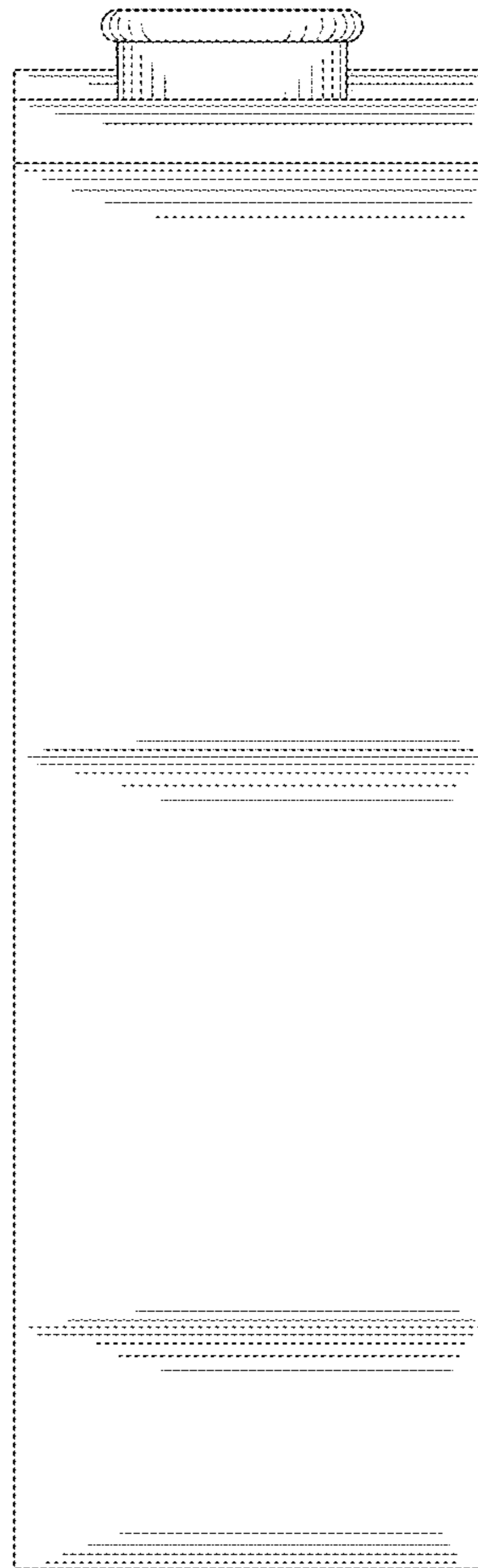


FIG. 8