



US00D915900S

(12) **United States Design Patent**
Hokanson et al.

(10) **Patent No.:** **US D915,900 S**
(45) **Date of Patent:** **** Apr. 13, 2021**

(54) **CARTON FOR ROLLED PRODUCTS**

(71) Applicant: **Kimberly-Clark Worldwide, Inc.**,
Neenah, WI (US)

(72) Inventors: **Brandon Mark Hokanson**, Sheboygan
Falls, WI (US); **Sara Jane Wille**
Stabelfeldt, Appleton, WI (US); **Sarah**
Austin Kleuskens, Neenah, WI (US);
Nathan John Vogel, Neenah, WI (US)

(73) Assignee: **KIMBERLY-CLARK WORDWIDE,**
INC., Neenah, WI (US)

(**) Term: **15 Years**

(21) Appl. No.: **29/685,617**

(22) Filed: **Mar. 29, 2019**

(51) **LOC (13) Cl.** **09-03**

(52) **U.S. Cl.**
USPC **D9/658; D9/432**

(58) **Field of Classification Search**
USPC **D9/414-423, 430-433, 434, 456, 457,**
D9/711, 713, 721-722, 737, 756, 758,
D9/759, 760, 658

(Continued)

(56) **References Cited**

U.S. PATENT DOCUMENTS

D108,605 S * 2/1938 Nagle D9/433
4,160,502 A * 7/1979 Roccaforte B65D 5/5014
206/486

(Continued)

Primary Examiner — Vy N Koenig

(74) *Attorney, Agent, or Firm* — Kimberly-Clark
Worldwide, Inc.

(57) **CLAIM**

We claim the ornamental design for a carton for rolled
products, as shown and described.

DESCRIPTION

FIG. 1 is a perspective view of a first embodiment of a new
carton for rolled products showing our new design. The

carton for rolled products includes an exterior sleeve portion
and an insert tray portion for holding rolled products. The
insert tray portion is fully slidable with respect to the
exterior sleeve portion and fully inserted into the exterior
sleeve portion in FIG. 1;

FIG. 2 is a front view of the carton of FIG. 1;

FIG. 3 is a back view of the carton of FIG. 1;

FIG. 4 is a right-side view of the carton of FIG. 1, wherein
the left side view is a mirror image of FIG. 4;

FIG. 5 is a top view of the carton of FIG. 1;

FIG. 6 is a bottom view of the carton of FIG. 1;

FIG. 7 is a perspective view of the tray portion of the carton
of FIG. 1, shown separately to reveal aspects of the design
that may not be apparent in other views;

FIG. 8 is a front view of the tray portion of FIG. 7, wherein
the back view is a mirror image of FIG. 8;

FIG. 9 is a right-side view of the tray portion of FIG. 7,
wherein the left-side view is a mirror image of FIG. 9;

FIG. 10 is a top view of the tray portion of FIG. 7;

FIG. 11 is a bottom view of the tray portion of FIG. 7;

FIG. 12 is a perspective view of the carton of FIG. 1 with the
tray portion partially inserted into the exterior sleeve por-
tion;

FIG. 13 is a front view of the carton of FIG. 12;

FIG. 14 is a back view of the carton of FIG. 12;

FIG. 15 is a right-side view of the carton of FIG. 12, wherein
the left-side view is a mirror image of FIG. 15;

FIG. 16 is a top view of the carton of FIG. 12;

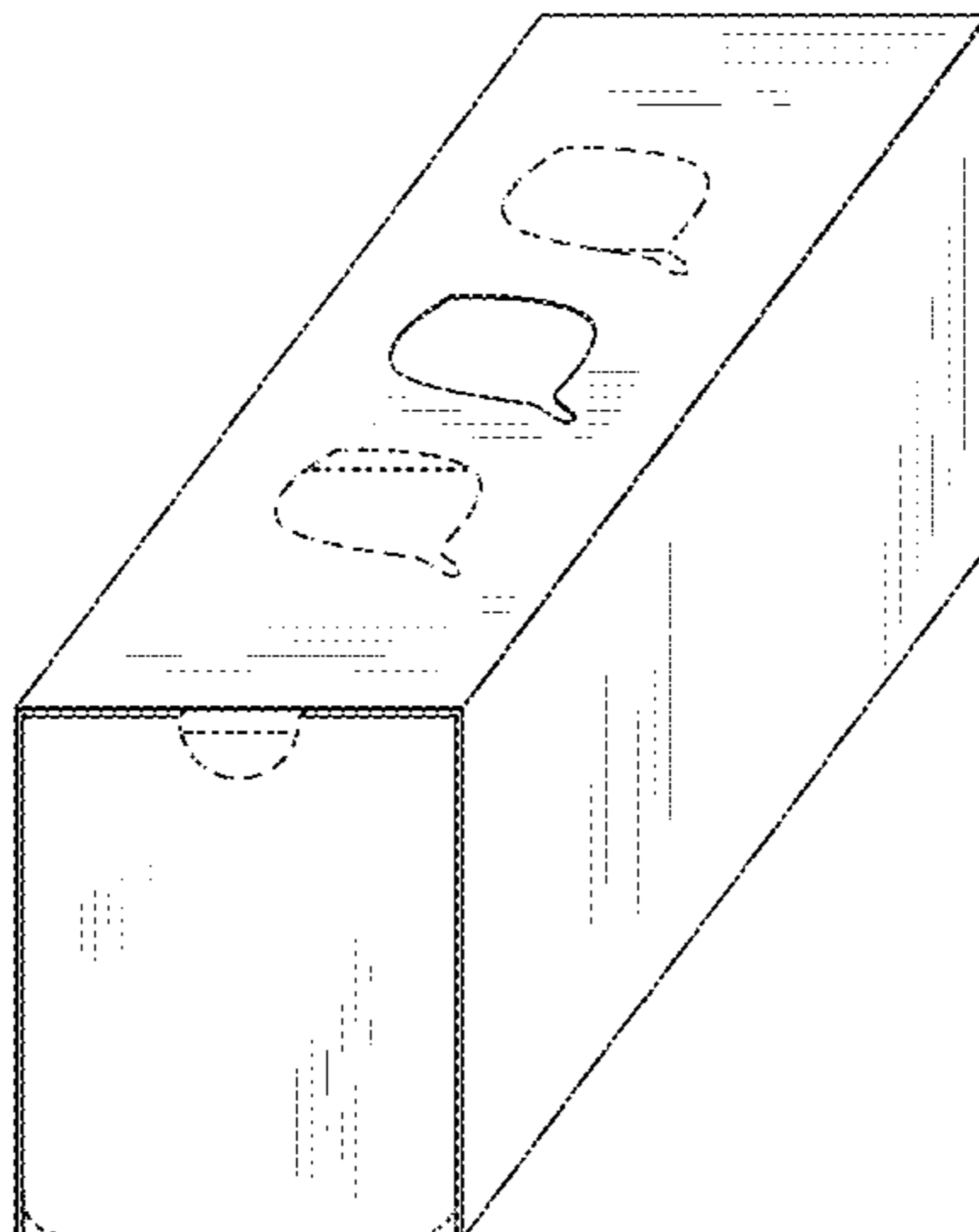
FIG. 17 is a bottom view of the carton of FIG. 12;

FIG. 18 is a second embodiment of the carton of FIG. 1 in
which the symbolic break lines convey that the appearance
of any portion of the carton between the symbolic break
lines forms no part of the claimed design; and,

FIG. 19 is a third embodiment of the carton of FIG. 1 in
which the symbolic break lines convey that the appearance
of any portion of the carton between the symbolic break
lines forms no part of the claimed design.

The evenly spaced broken lines shown in FIGS. 1-3, 5, 7-10,
12-16, 18, and 19 illustrate portions of the carton for rolled
products that form no part of the claimed design. The
dash-dot-dash broken lines shown in FIGS. 1, 2, 5, 7-10, 12,
13, 15, 16, 18, and 19 illustrate environmental subject matter
and form no part of the claimed design. The dash-dot-dot-
dash broken lines in FIGS. 18 and 19 represent boundaries

(Continued)



of sections of the carton for rolled products indicating, along with the brackets in FIGS. 18 and 19, that the appearance of any portion of the carton for rolled products between the symbolic break lines forms no part of the claimed design.

1 Claim, 17 Drawing Sheets

(58) **Field of Classification Search**

CPC ... B65D 5/00; B65D 5/02; B65D 5/18; B65D
5/20

See application file for complete search history.

(56) **References Cited**

U.S. PATENT DOCUMENTS

6,237,777	B1 *	5/2001	Bierly	B65D 5/4204 206/232
D495,952	S *	9/2004	Miller	D9/418
D604,603	S *	11/2009	Kohno	D9/418
D659,012	S *	5/2012	Subler	D9/434
D699,563	S *	2/2014	McAdam	D9/418
D706,129	S *	6/2014	Boraczek	D9/418
D741,174	S *	10/2015	Stone	D9/444
D777,571	S *	1/2017	Borkovetz	D9/418
D833,883	S *	11/2018	Harmon	D9/658
D856,131	S *	8/2019	Hon	D9/418
D865,512	S *	11/2019	Johnston	D9/423
D879,620	S *	3/2020	Tamagushi	D9/631

* cited by examiner

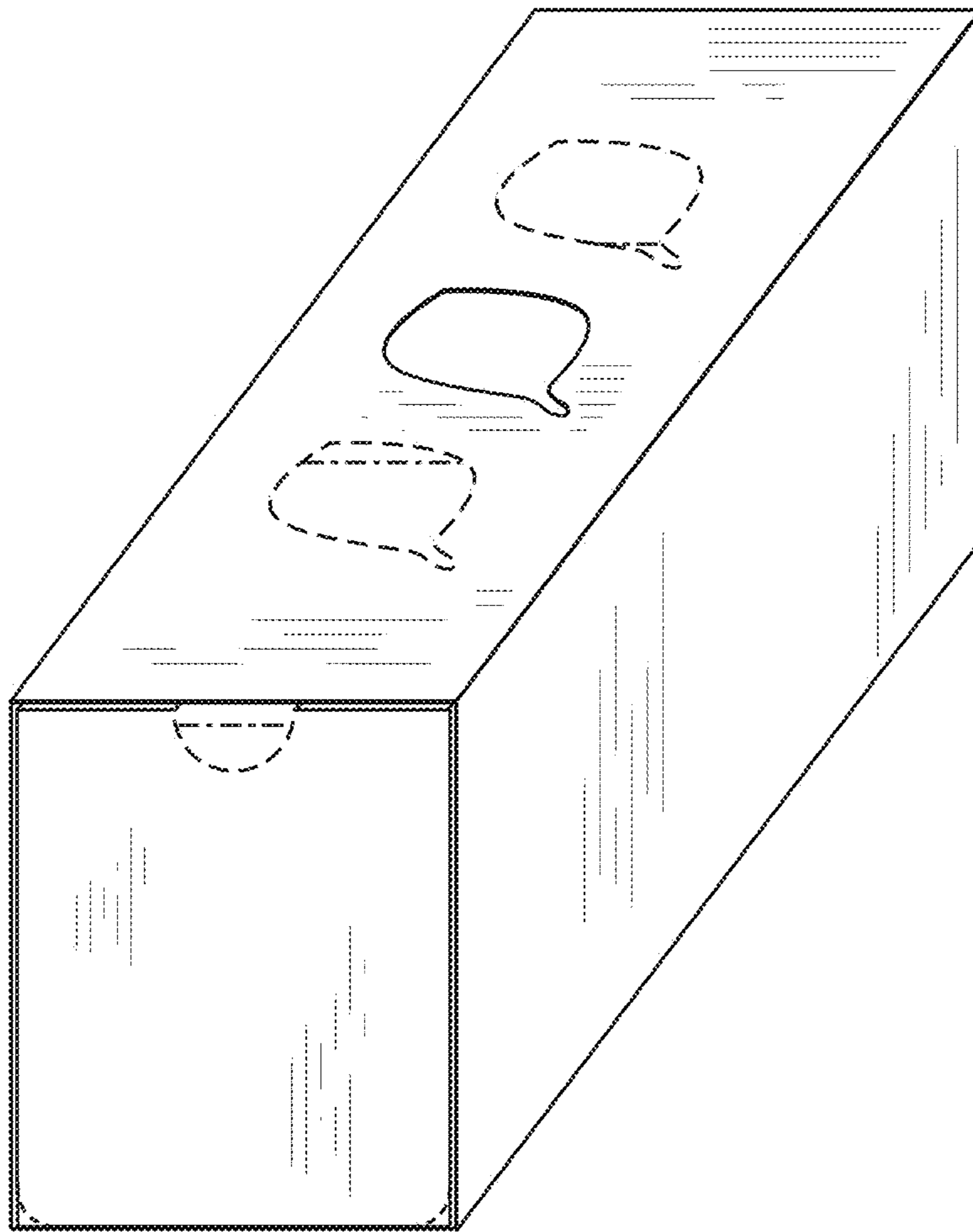


FIG. 1

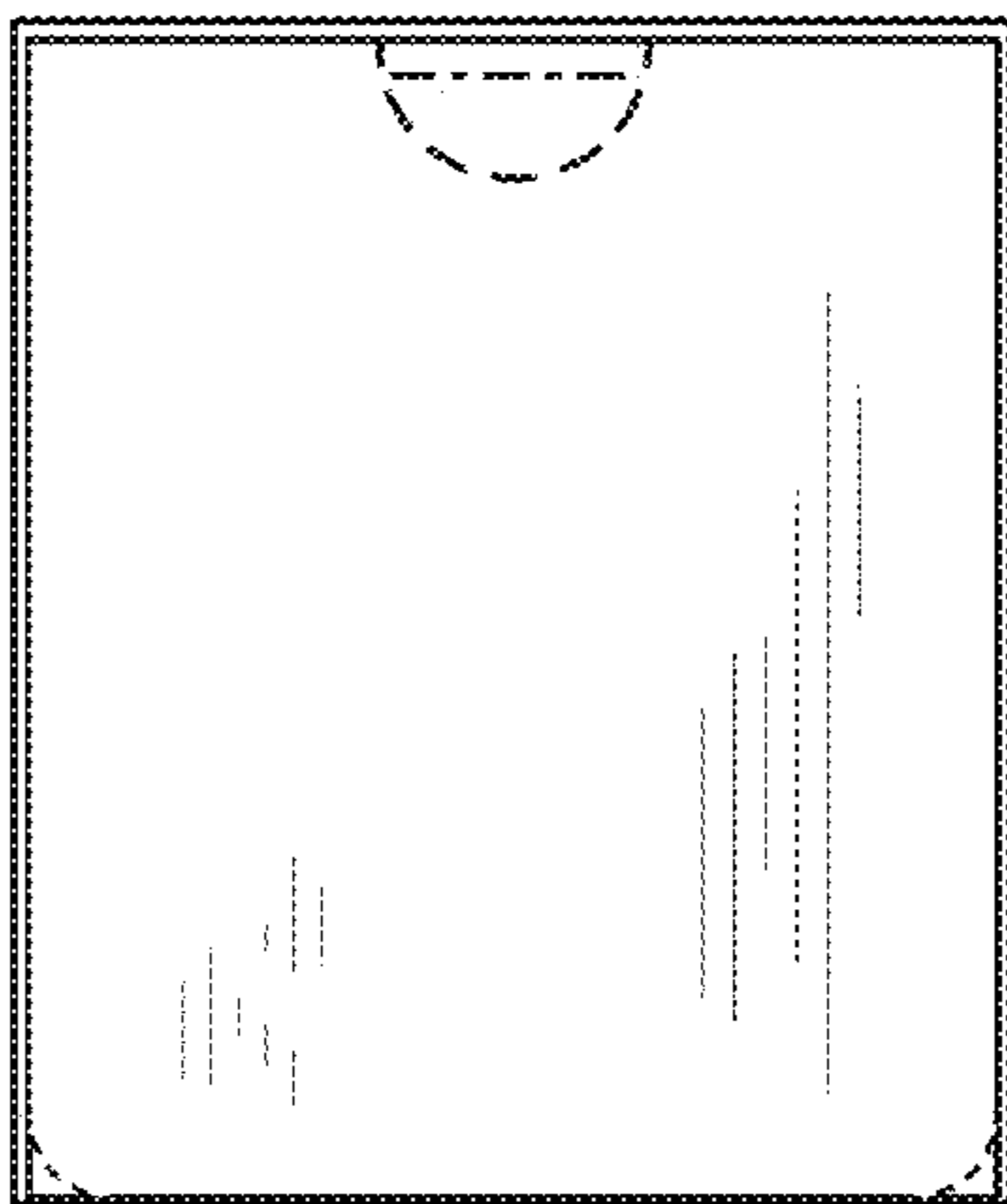


FIG. 2

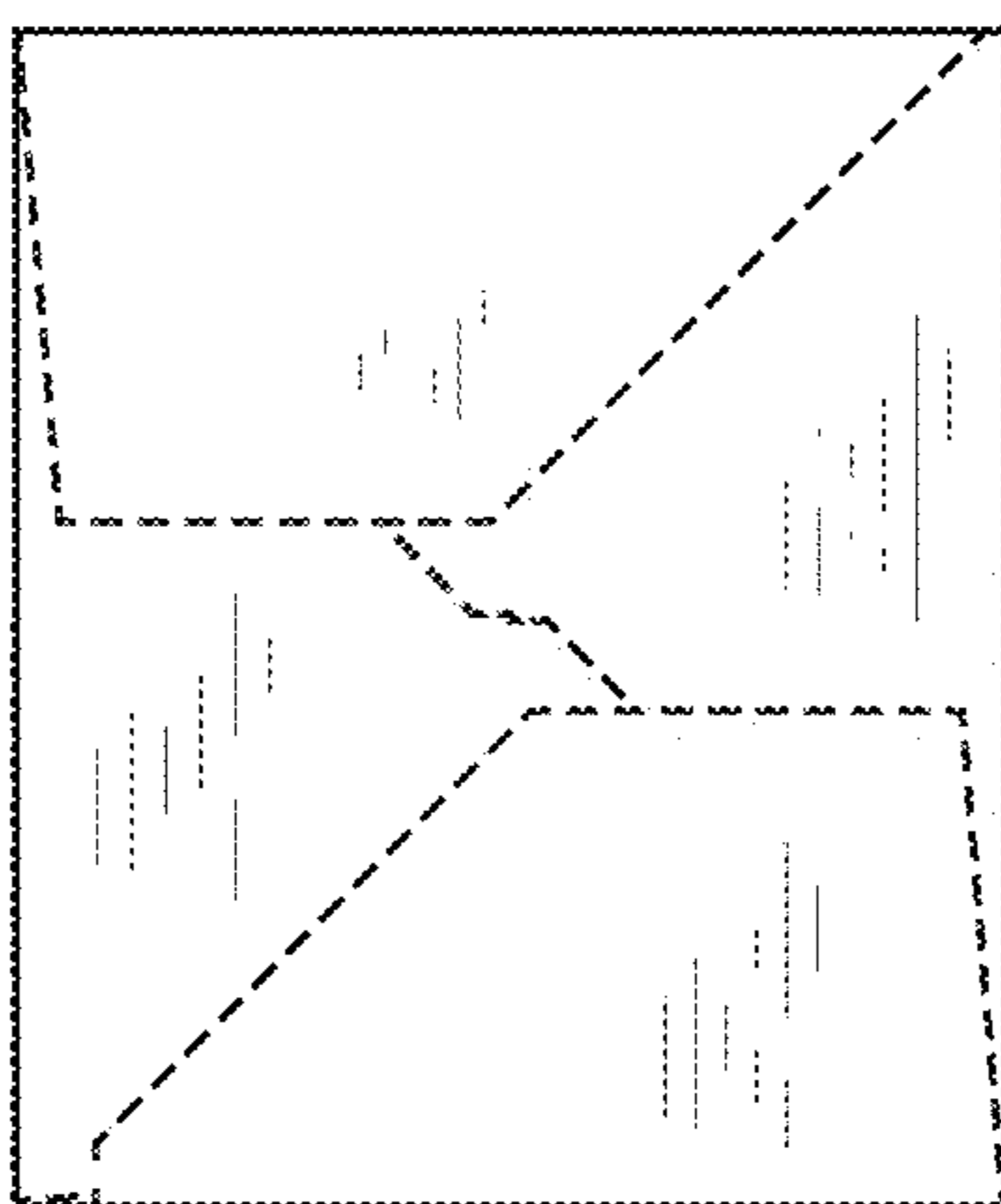


FIG. 3

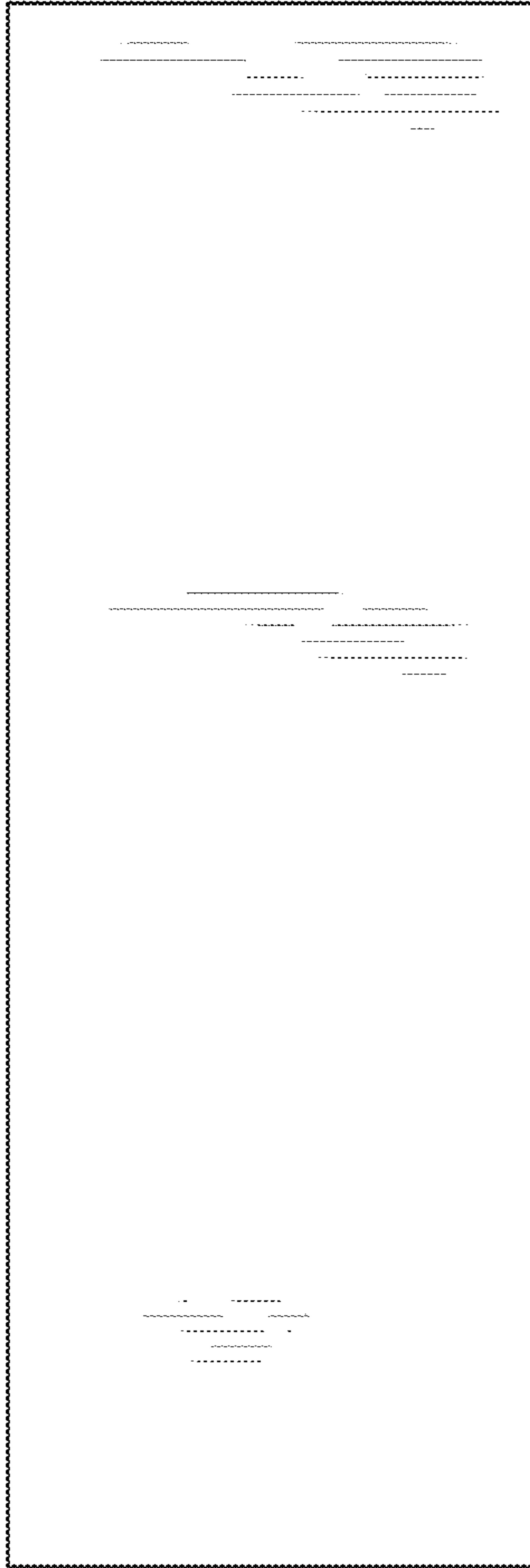


FIG. 4

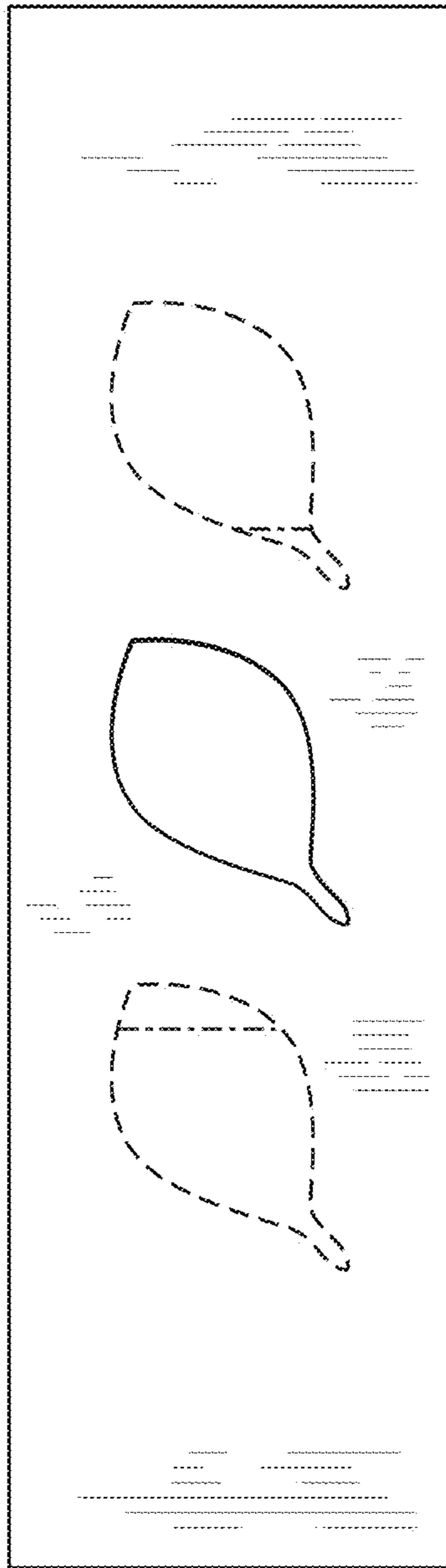


FIG. 5

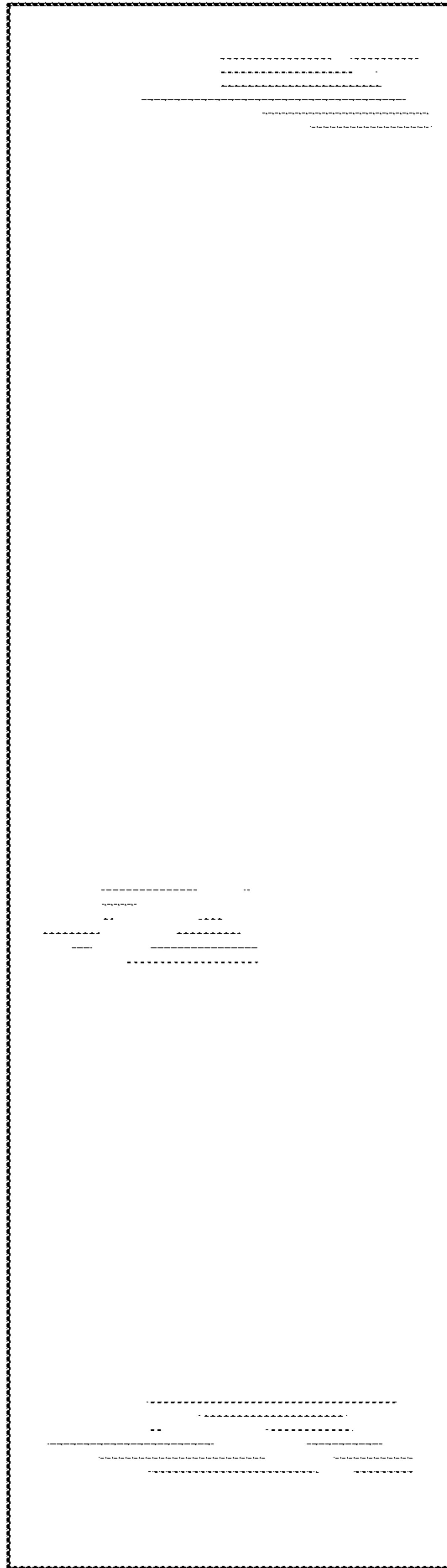


FIG. 6

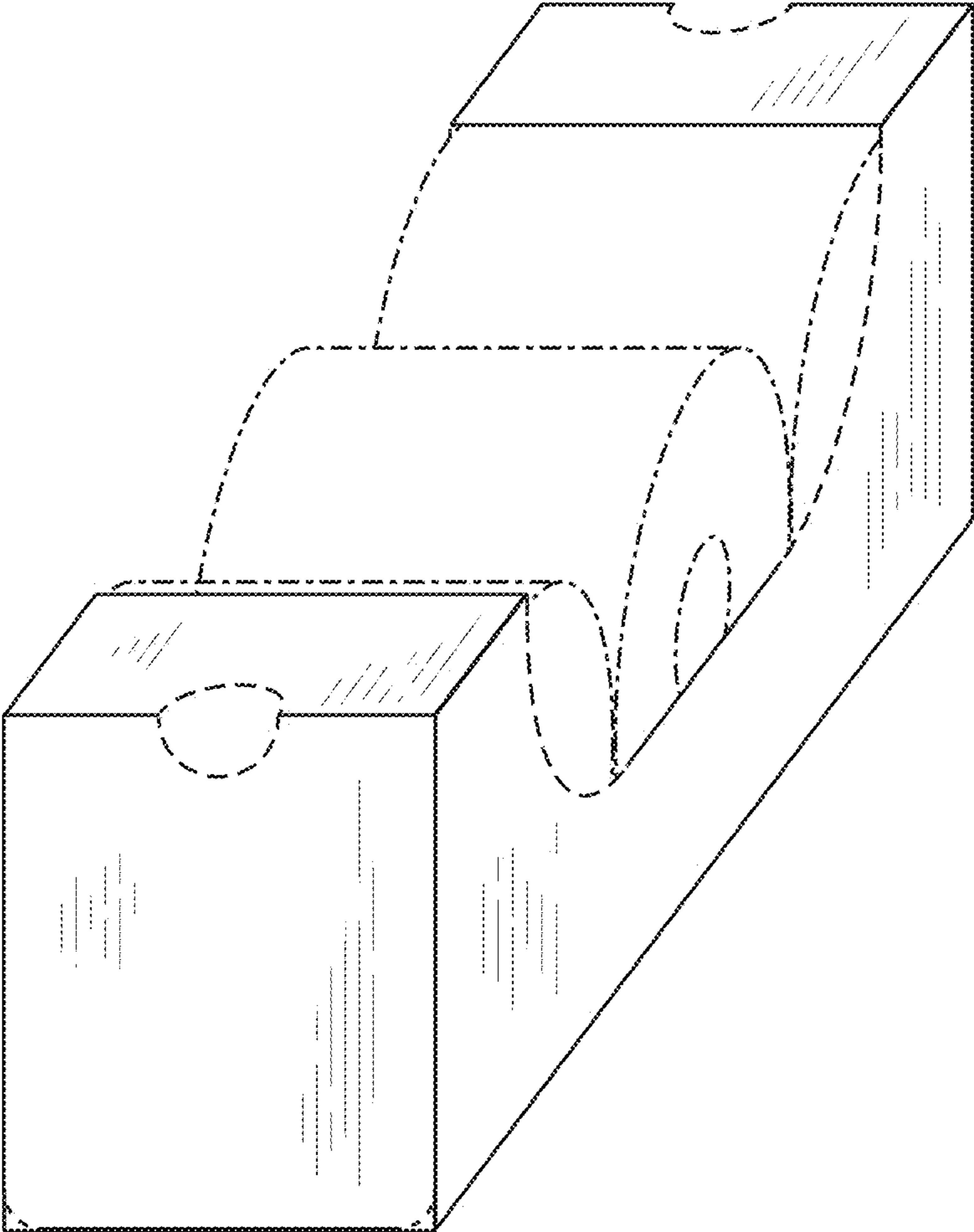


FIG. 7

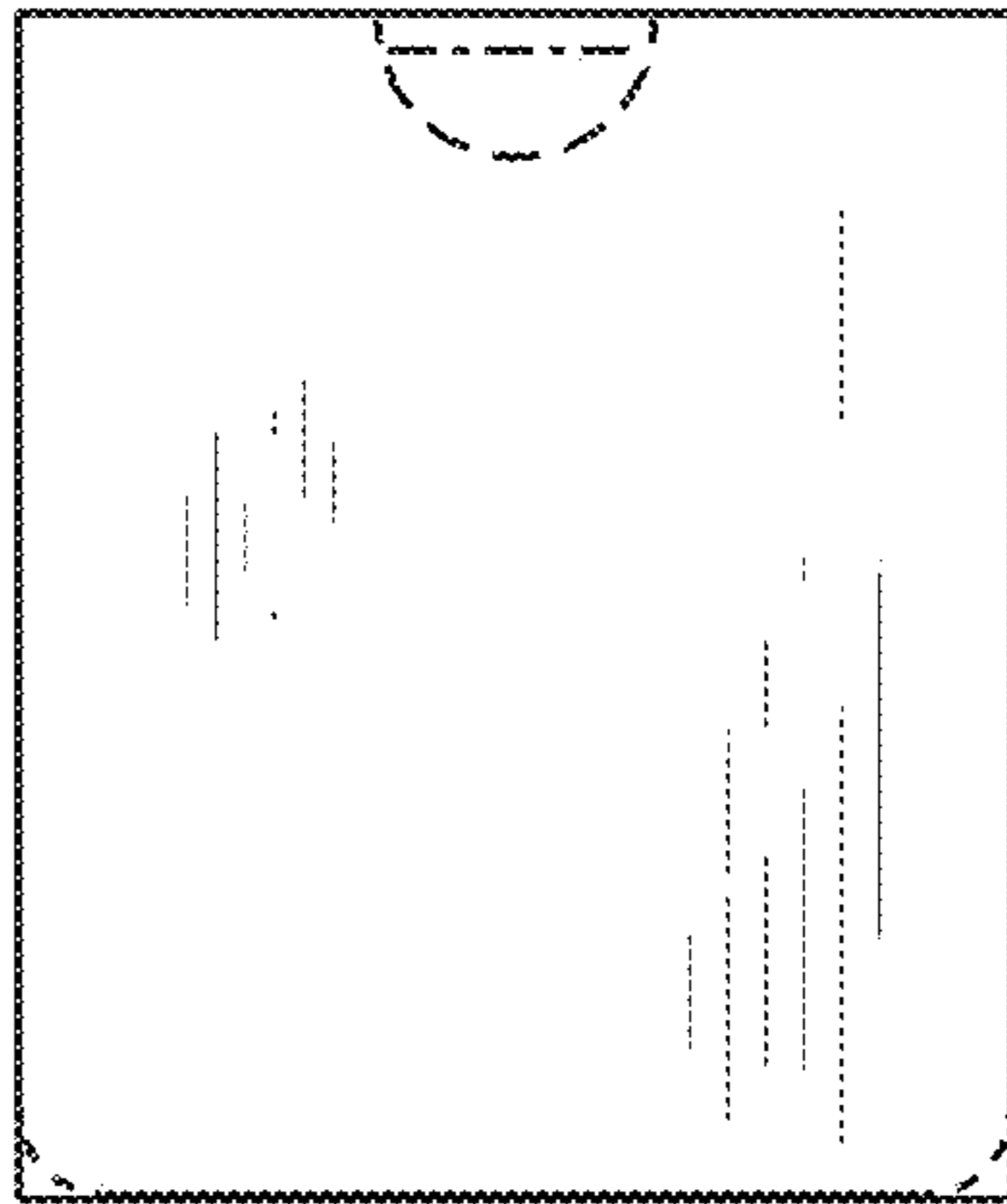


FIG. 8

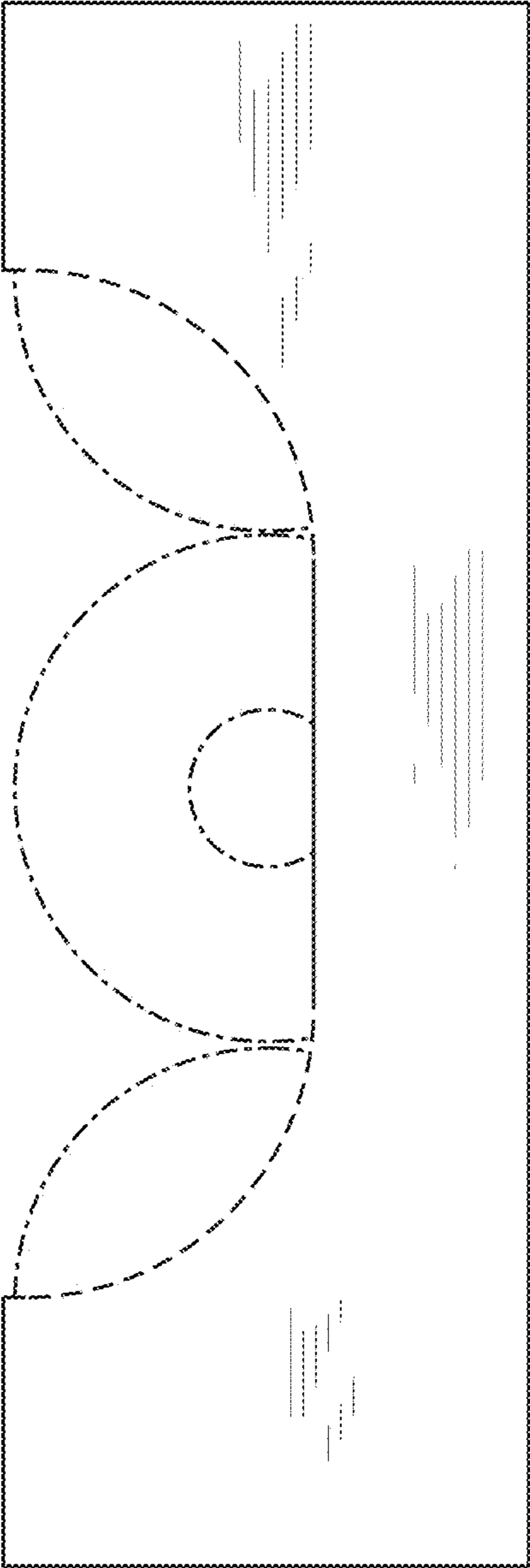


FIG. 9

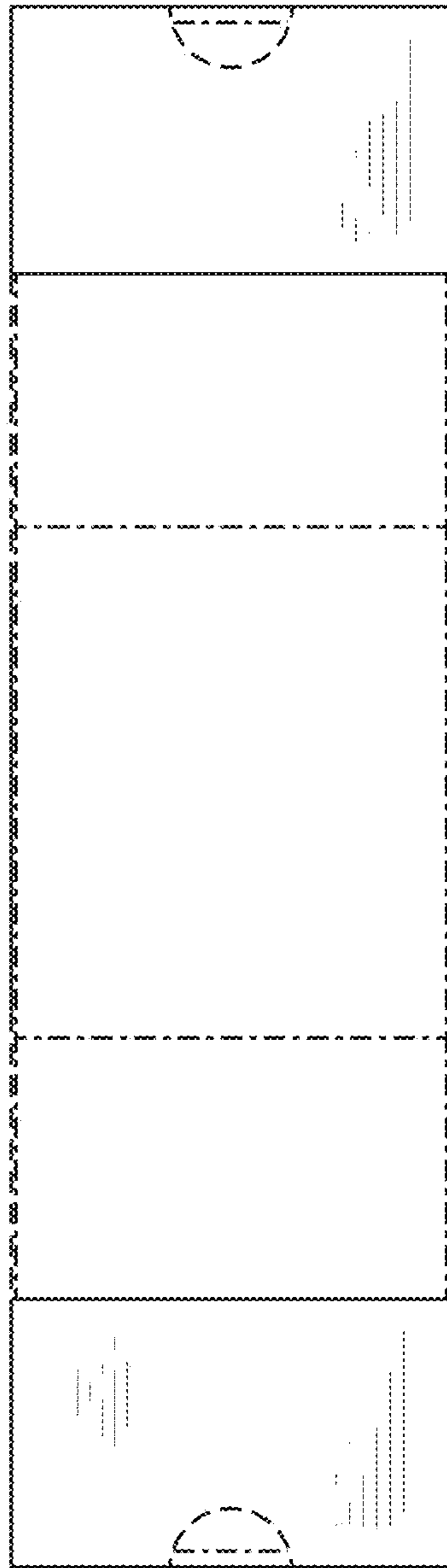


FIG. 10

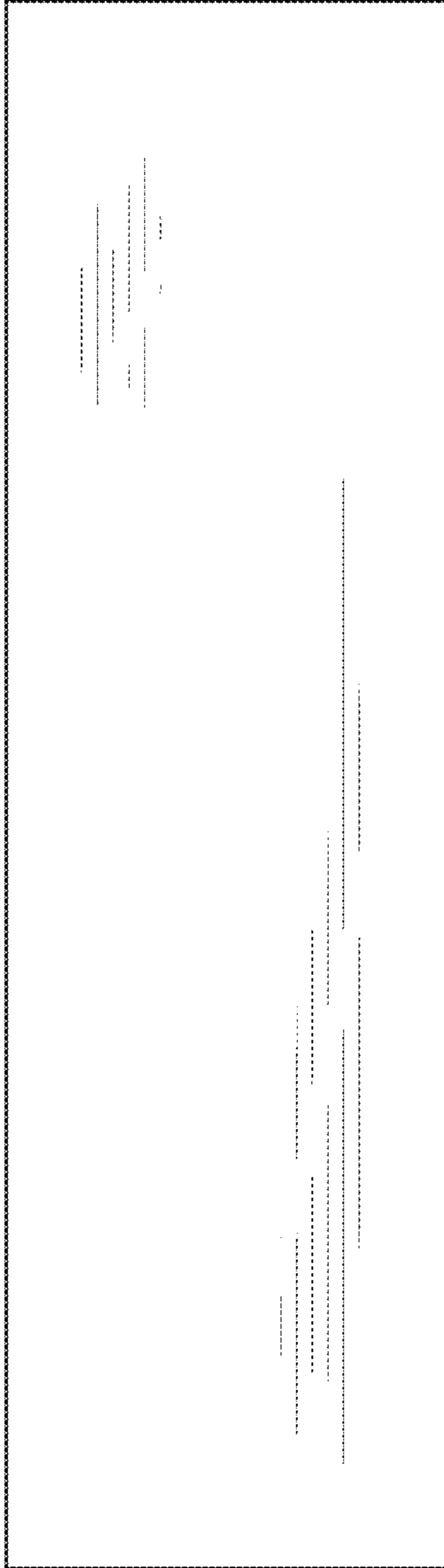


FIG. 11

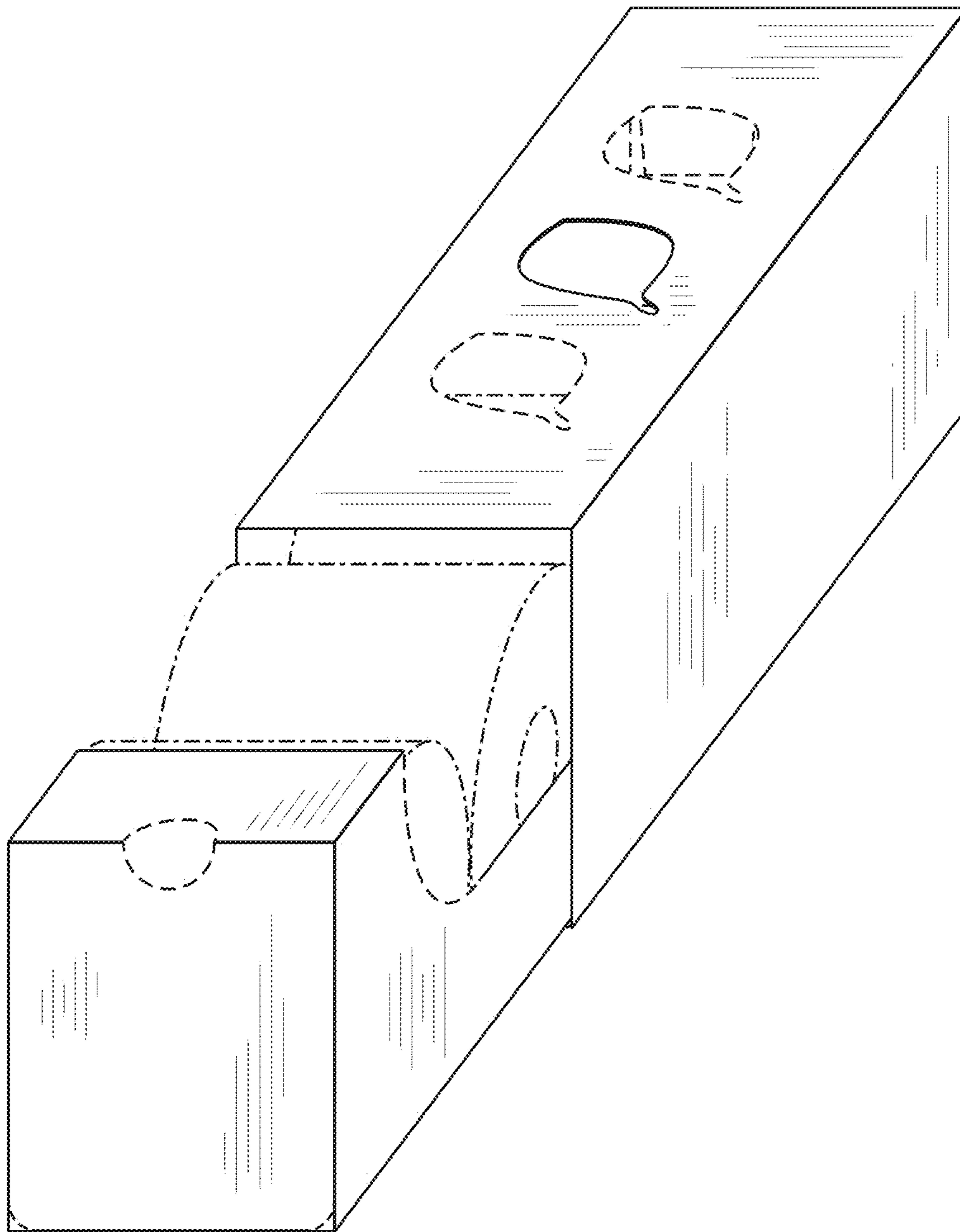


FIG. 12

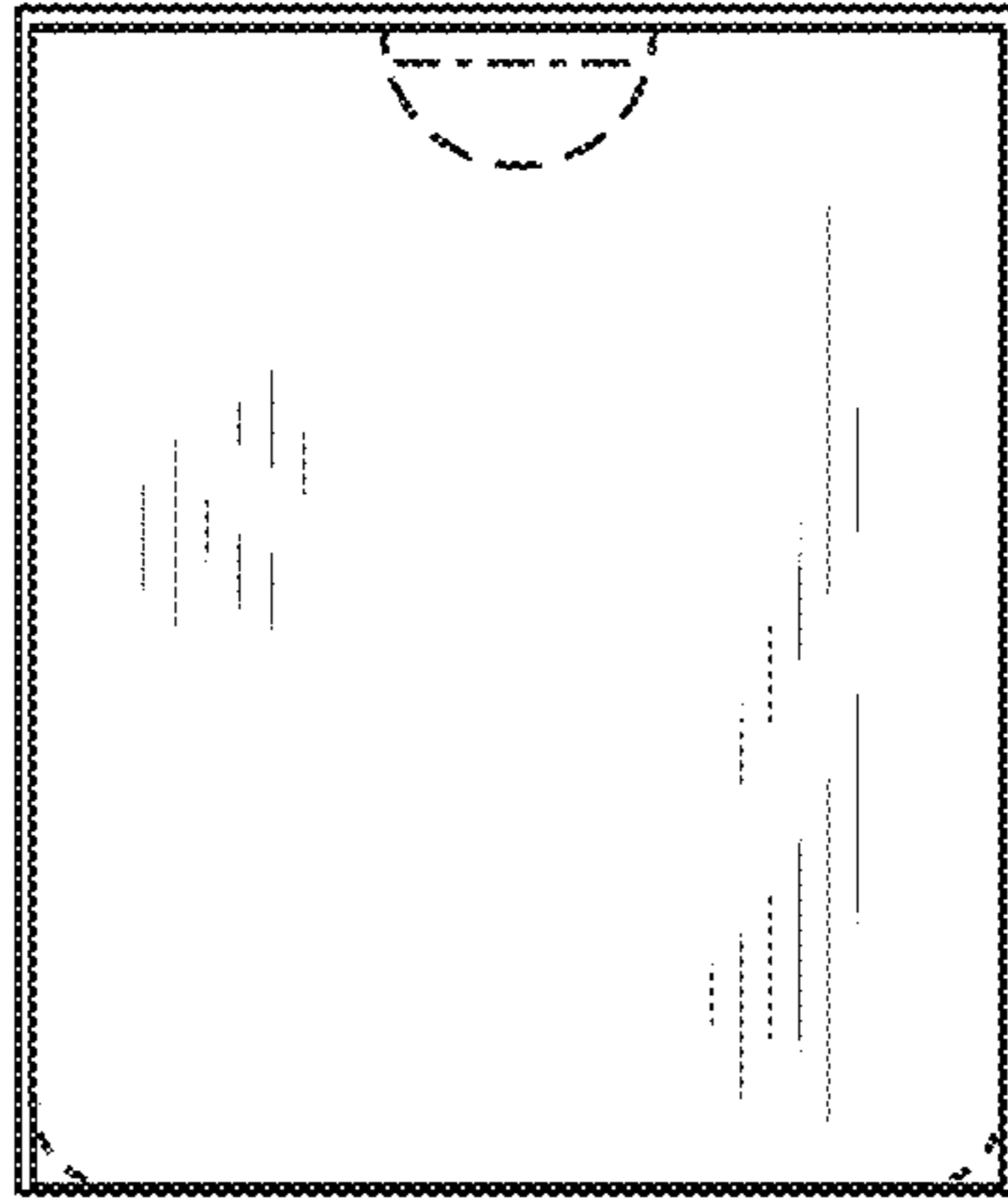


FIG. 13

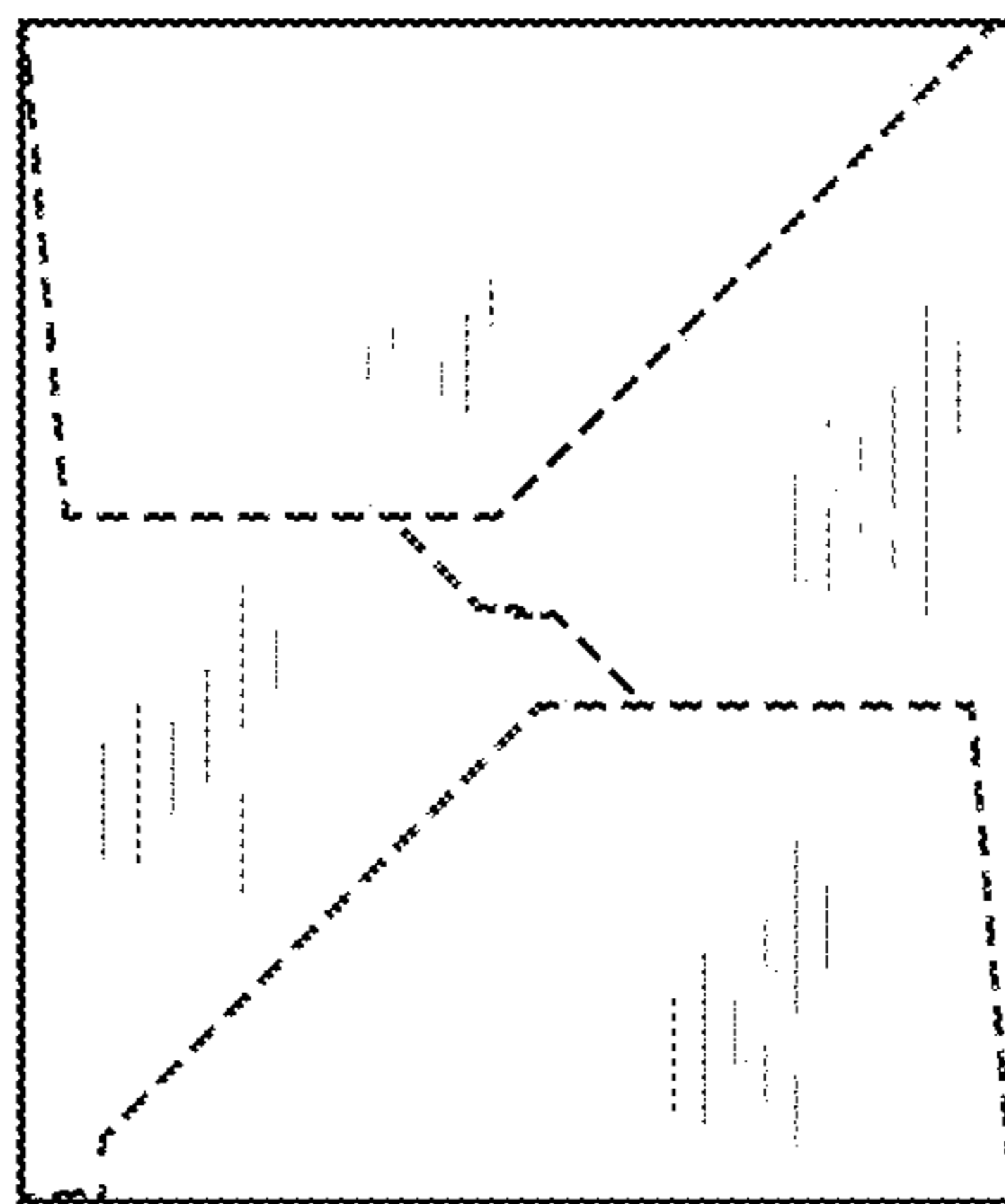


FIG. 14

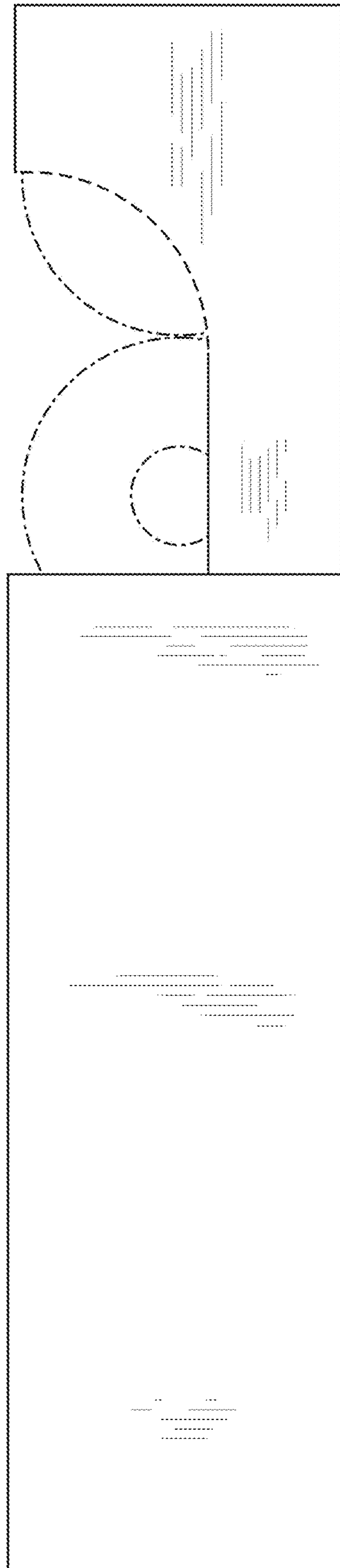


FIG. 15

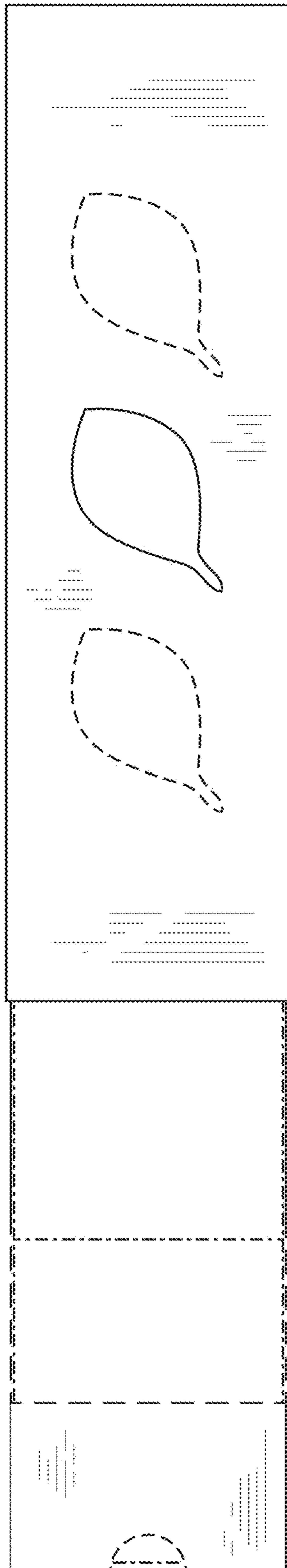


FIG. 16

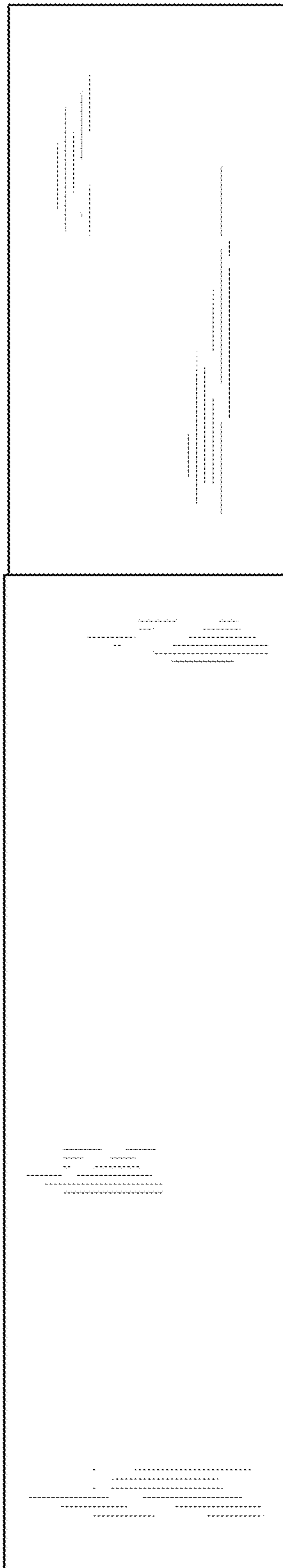


FIG. 17

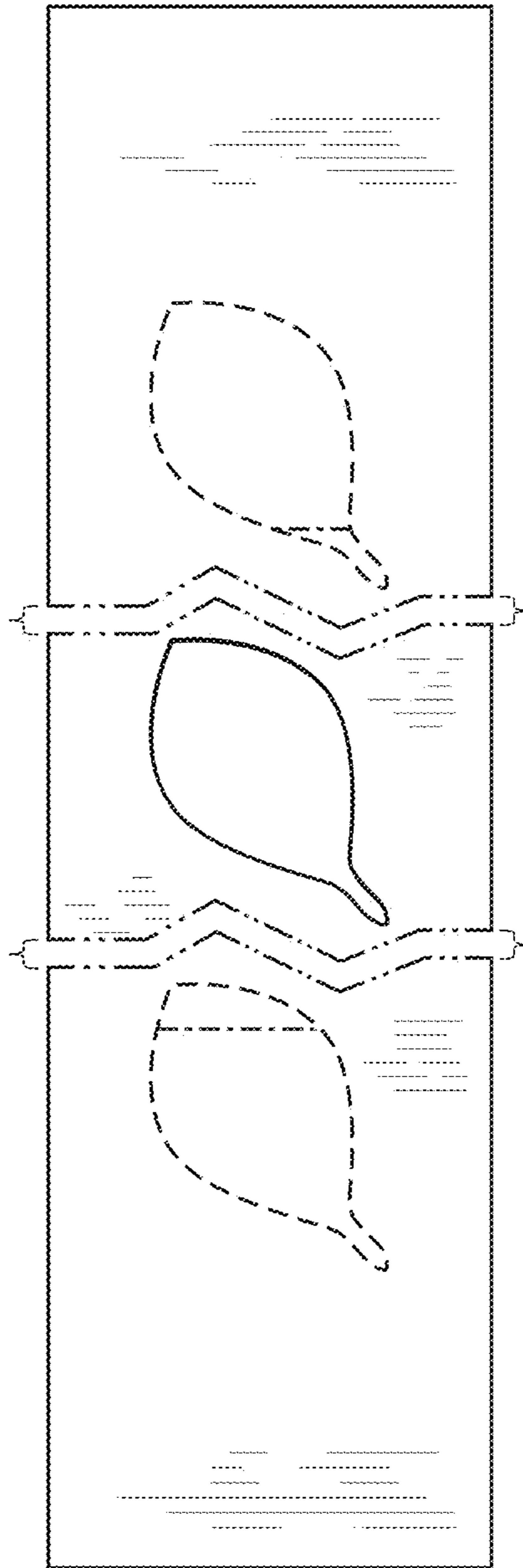


FIG. 18

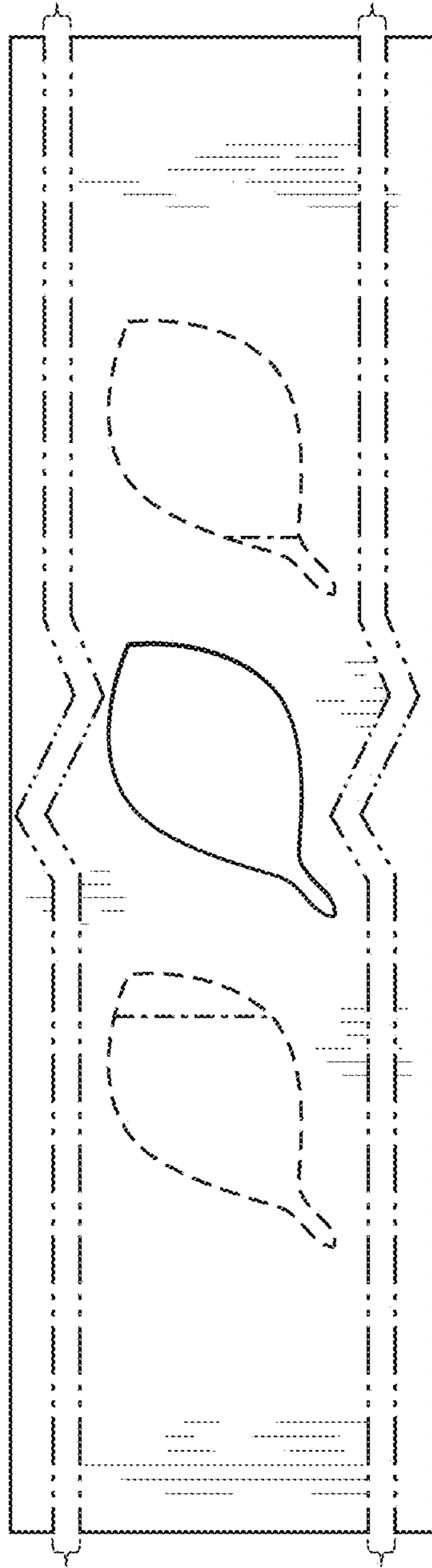


FIG. 19