



US00D915897S

(12) **United States Design Patent** (10) **Patent No.:** **US D915,897 S**
Mastronardi (45) **Date of Patent:** **** Apr. 13, 2021**

(54) **HEART SHAPED CONTAINER**
(71) Applicant: **Mastronardi Produce Ltd.**, Kingsville (CA)
(72) Inventor: **Paul Mastronardi**, Leamington (CA)
(73) Assignee: **MASTRONARDI PRODUCE LIMITED**, Kingsville (CA)

D498,668 S * 11/2004 Counts D9/629
D508,166 S * 8/2005 Liu D3/271.1
D526,571 S * 8/2006 Terrasi D9/629
D540,691 S * 4/2007 Davies D9/629
D663,365 S * 7/2012 Vinther D9/629
D734,162 S * 7/2015 Delao D9/629
D741,063 S * 10/2015 Broyles D3/271.1
D741,722 S * 10/2015 Oaknin
D756,796 S * 5/2016 Sifuentes D9/629
(Continued)

(**) Term: **15 Years**

OTHER PUBLICATIONS

(21) Appl. No.: **29/710,005**
(22) Filed: **Oct. 18, 2019**
(51) **LOC (13) Cl.** **09-01**
(52) **U.S. Cl.**
USPC **D9/629**; D9/426
(58) **Field of Classification Search**
USPC D7/514-520, 539, 571, 301, 599, 604,
D7/613, 619.2, 623, 625, 628, 675, 392.1;
D9/600, 629, 500-516, 519-521,
D9/414-434; 206/494, 457, 459.1, 459.2;
220/890; 215/206, 260, 387-400;
D3/270-271.9
CPC B65D 67/00; B65D 81/36; B65D 81/366;
B65D 41/00; B65D 41/02; B65D 43/00;
B65D 43/02; B65D 5/42; A63H 33/10;
A63B 59/50
See application file for complete search history.

GenPak 55H09 Bake N' Show Dual Ovenable Heart Shape Black Cake Pan with Lid—10/Pack; GenPak<https://www.webstaurantstore.com/genpak-55h09-bake-n-show-dual-ovenable-heart-shape-cake-pan-with-lid-pack/374K55H09.html?utm_source=Google&utm_medium=cpc&utm_campaign=GoogleShopping&gclid=Cj0KCCQiAvc_xBRCYARIsAC5QT9ne3lc22AHSKnQtI_gWlniJbJR4TRnA44PrZQ66t_E2NvITjSCuCE8aAmeoEALw_wcB>; Aug. 19, 2013; 1 page.

(Continued)

Primary Examiner — Sandra L Morris
(74) *Attorney, Agent, or Firm* — Dinsmore & Shohl LLP

(57) **CLAIM**

The ornamental design for a heart shaped container, as shown and described.

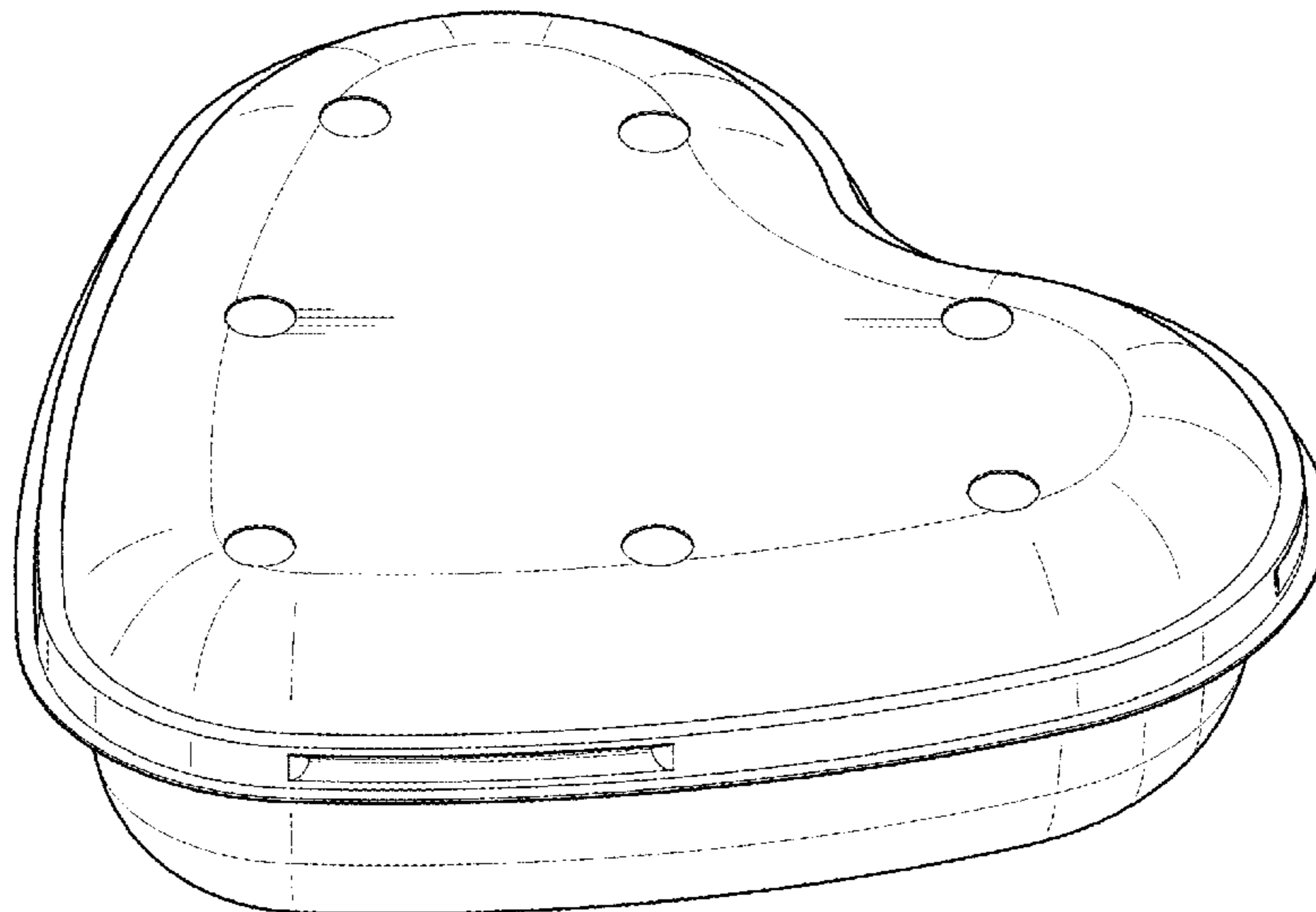
DESCRIPTION

FIG. 1 is a perspective view of a top or upper side of a container;
FIG. 2 is a planar view of the top of the container;
FIG. 3 is a planar view of a portion of a side of the container;
FIG. 4 is a planar view of an opposite side of the container;
FIG. 5 is a planar view of a base or under side of the container;
FIG. 6 is a planar view of an end of the container; and,
FIG. 7 is a planar view of an opposite end of the assembled container.

1 Claim, 3 Drawing Sheets

(56) **References Cited**
U.S. PATENT DOCUMENTS

D135,770 S * 6/1943 Rice D9/629
D193,583 S * 9/1962 Bostrom D9/629
D212,675 S * 11/1968 Ehrenfeld D9/629
D212,676 S * 11/1968 Ehrenfeld D9/629
D212,677 S * 11/1968 Ehrenfeld D9/629
D322,515 S * 12/1991 Her D9/629
D363,303 S * 10/1995 Winston D9/629
D407,854 S * 4/1999 DeGaetano D9/629
D435,939 S 1/2001 Thorpe et al.
D461,619 S 8/2002 Garson et al.



(56)

References Cited

U.S. PATENT DOCUMENTS

D758,134 S	6/2016	Magri	
D758,135 S	6/2016	Magri	
D759,996 S	6/2016	Oaknin	
D769,127 S *	10/2016	Mckirdy	D9/629
D790,353 S *	6/2017	Ma	D9/629
D803,481 S *	11/2017	Reiner	D9/629
D808,593 S	1/2018	Reiner	

OTHER PUBLICATIONS

KitchenDance Disposable Aluminum Mini Heart Shaped Pans;KitchenDance;<[Heart Shaped Container 6x6 in—90 Pack \(376047\); Brenmar; <\[Plastic candy chocolate container heart shape plastic container; Harvest Plastic; <\\[Heart Shaped Aluminum Foil Food Container 900-129; Avio Pack; <\\\[Kate Aspen, Heart Favor Container, Gift Box, Clear Plastic, Set of 12; Kate Aspen; <\\\\[https://www.globalsources.com/gsol/1/Fruit-clamshell/p/sm/1146838724.htm#1146838724\\\\]\\\\(https://www.amazon.com/Kate-Aspen-Heart-Container-Plastic/dp/B00HWS206A?ref=fsclp_pl_dp_1> Dec. 8, 2016; 1 Page.</p>
<p>PET food grade plastic fruit packaging container hear-shaped 125 grams; Global Sources; <a href=\\\\) <<https://www.globalsources.com/gsol/1/Fruit-clamshell/p/sm/1146838724.htm>> Feb. 26, 2019; 1 Page.

Heart Shaped Tin Cans; PaperMart; <\\\\[LJY 33 Pieces 1.5 oz Heart Shaped Slime Foam Ball Storage Container Plastic Box with Lids; LJY; <\\\\\[10Pcs Disposable Jello Shot Cups Set of 70ml Heart Shaped Sauce Pot Container With Conjoined Lid Slime Storage for Ketchup; CandyHouse; <\\\\\\[* cited by examiner\\\\\\]\\\\\\(https://www.aliexpress.com/i/33011420778.html> Jan. 31, 2020; 1 Page.</p>
</div>
<div data-bbox=\\\\\\)\\\\\]\\\\\(https://www.amazon.com/LJY-Pieces-Storage-Containers-Plastic/dp/B0787T7X38?ref=fsclp_pl_dp_4>; Mar. 22, 2018; 1 Page.</p>
<p>LJY 16 Pieces 5.1 oz Heart Shaped Slime Foam Ball Storage Containers Large Capacity Plastic Box with Lids; LJY; < Jan. 31, 2020; 1 Page.</p>
<p>Heart Shaped Plastic Container—174C; Pioneer Plastics; <; Jan. 31, 2020; 1 Page.</p>
<p>32 Pieces Heart Shaped Slime Storage Containers Transparent Plastic Box with Lids for 20g Slime; Goodma; <; Sep. 11, 2017; 2 pages.</p>
</div>
<div data-bbox=\\)\]\(https://www.brenmarco.com/product/heart-shaped-container-6-x-6-in/>; Oct. 3, 2018; 3 pages.</p>
<p>AcGoSp Plastic Heart-shaped Food Container Set of 3 14*12*4cm; AcGoSp; <;Oct. 12, 2017;1 page.</p>
<p>Hard Acrylic Plastic Boxes; PaperMart; <<a href=)

FIG. 1

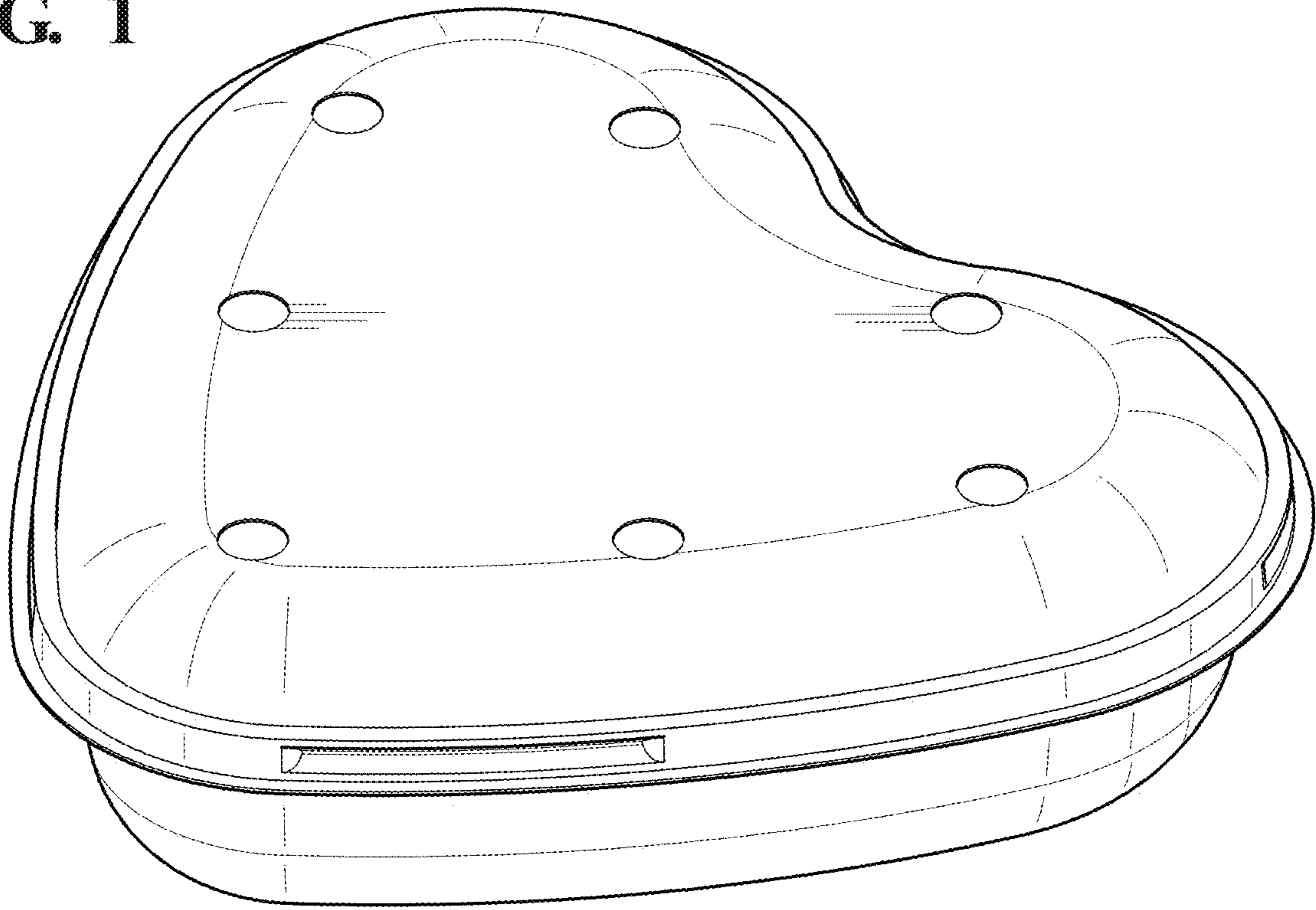


FIG. 2

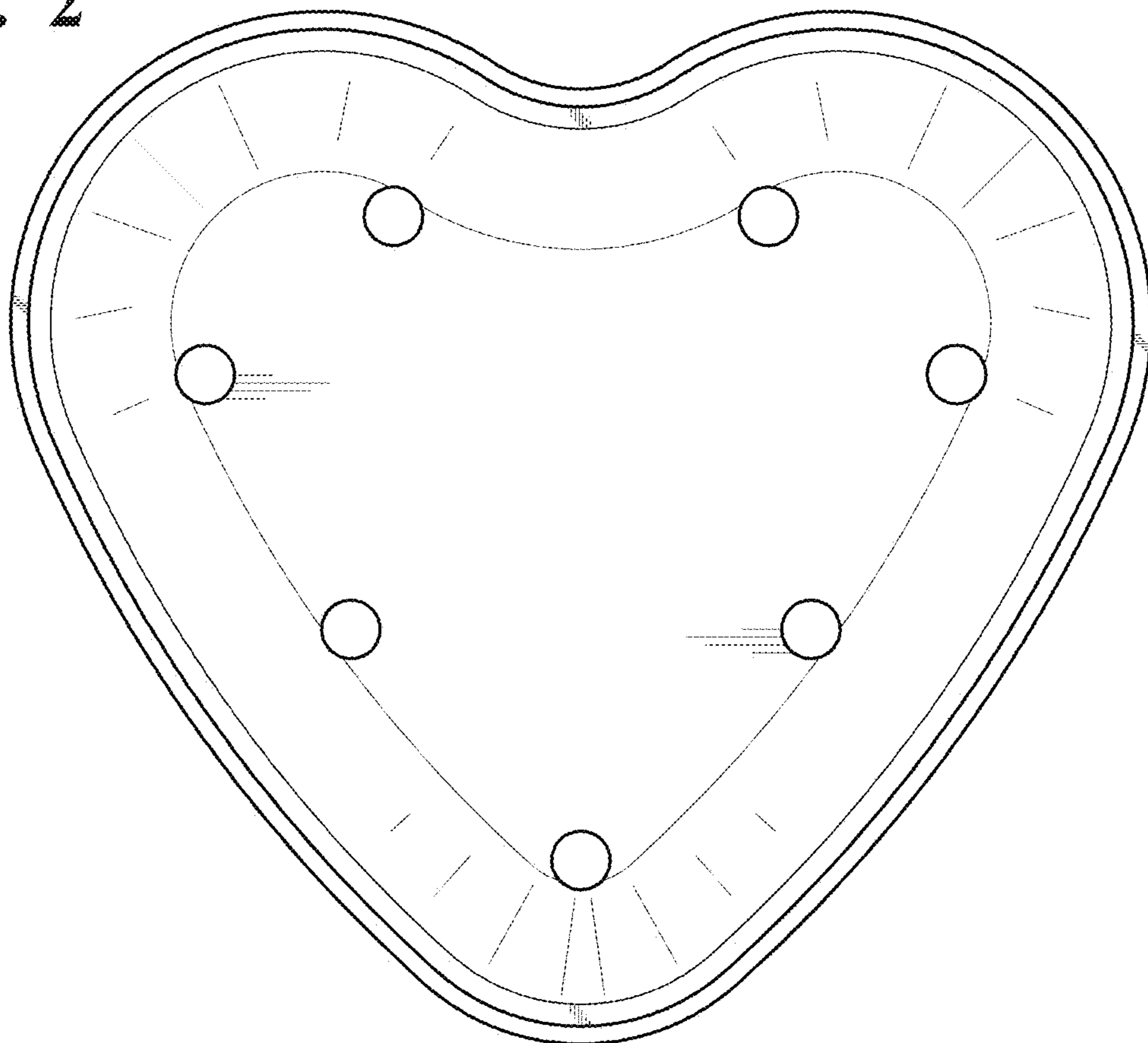


FIG. 3

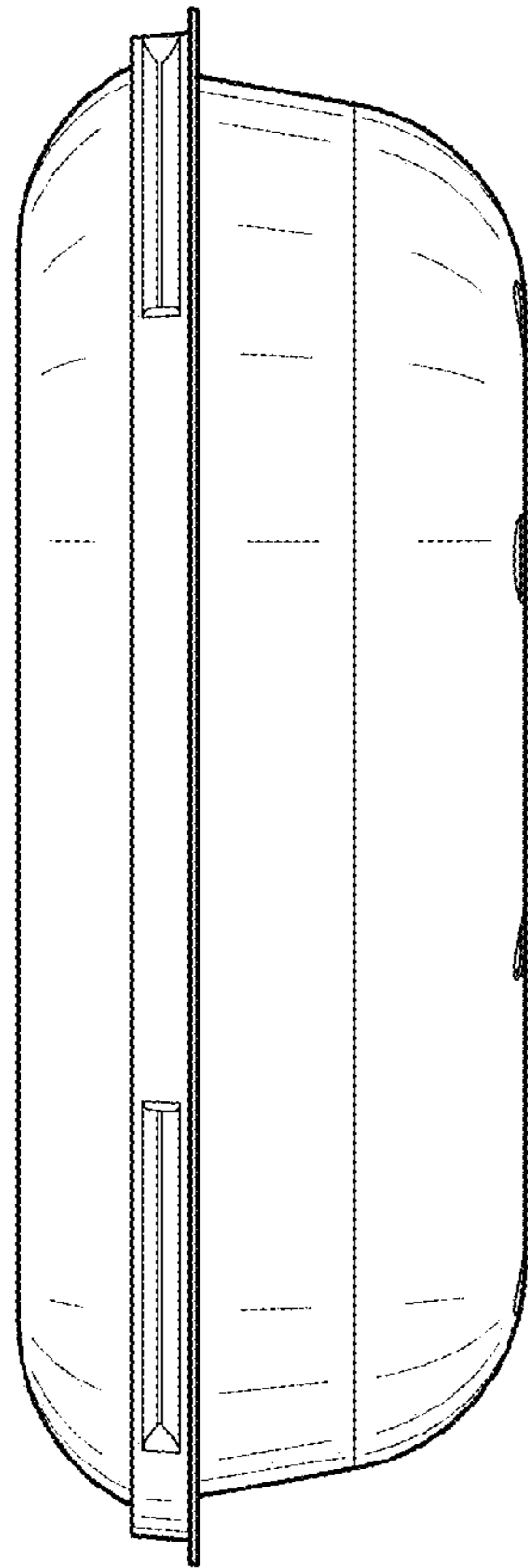


FIG. 4

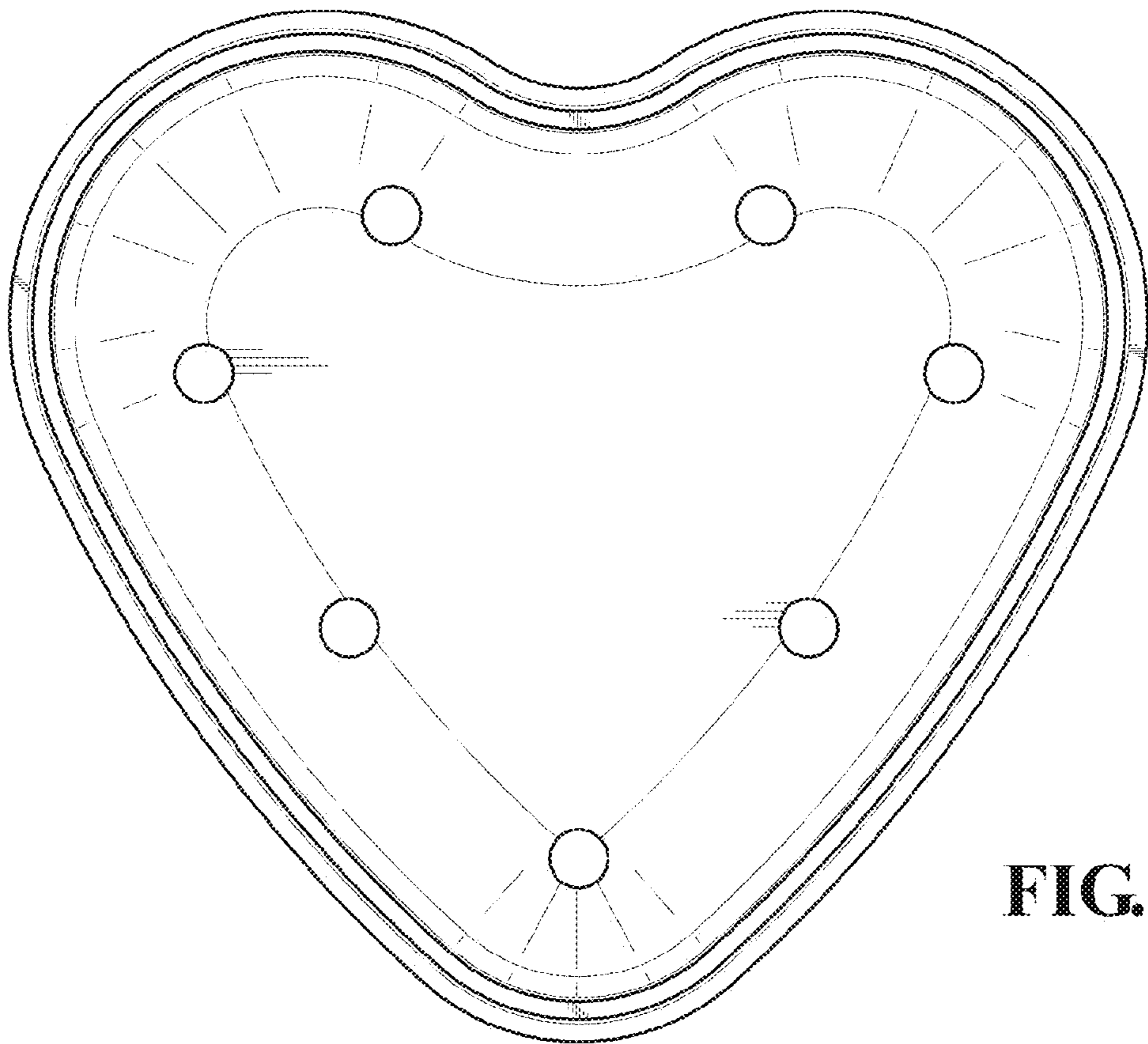
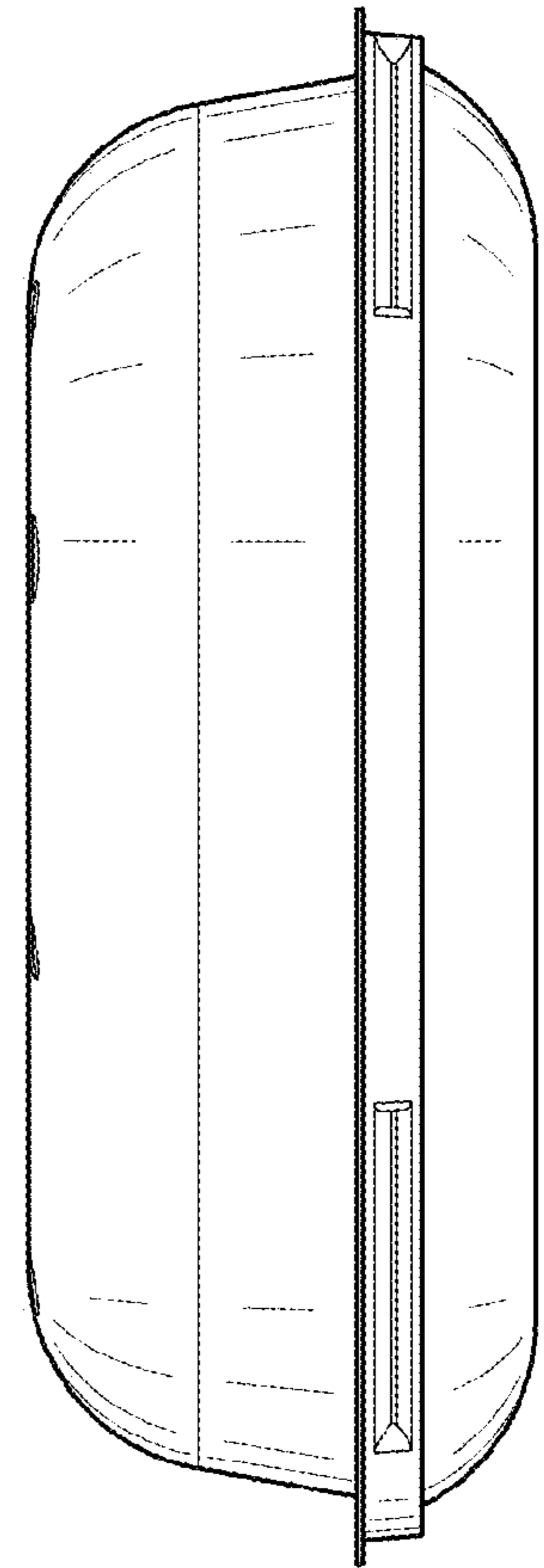


FIG. 5

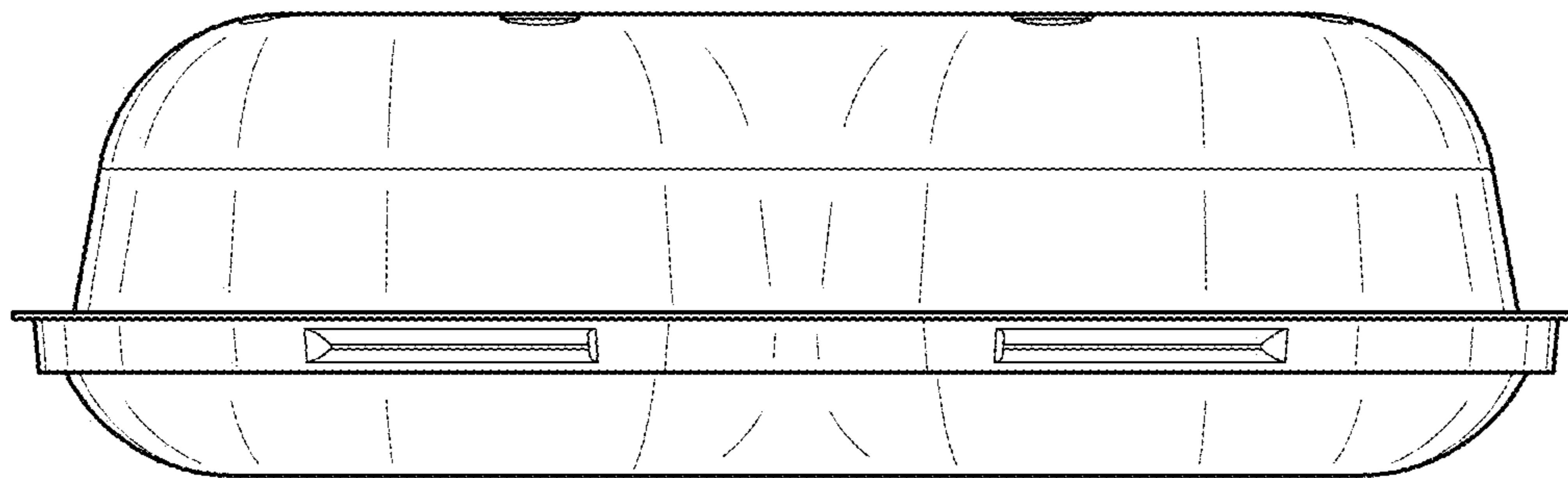


FIG. 6

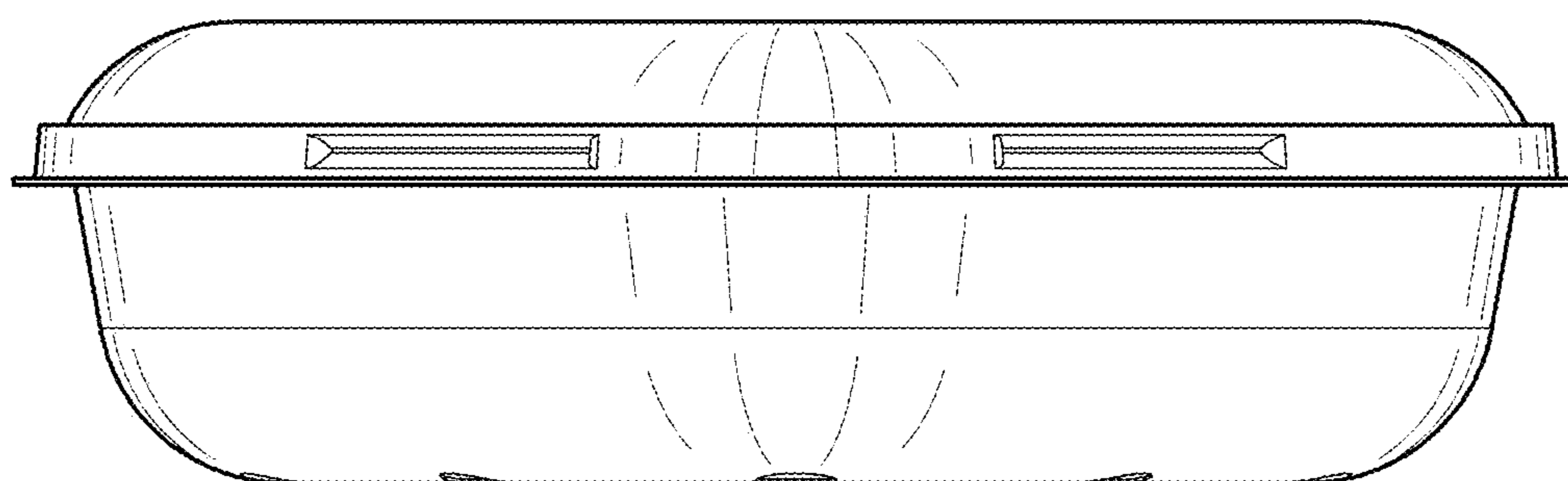


FIG. 7