



US00D915894S

(12) **United States Design Patent** (10) **Patent No.:** **US D915,894 S**  
**Gasmi** (45) **Date of Patent:** **\*\* \*Apr. 13, 2021**

(54) **PERFUME BOTTLE**

FOREIGN PATENT DOCUMENTS

(71) Applicant: **PRESTIGE ET COLLECTIONS INTERNATIONAL**, Paris (FR)

CN 304436424 \* 1/2018  
CN 304576303 \* 4/2018

(Continued)

(72) Inventor: **Chafik Gasmi**, Paris (FR)

OTHER PUBLICATIONS

(73) Assignee: **PRESTIGE ET COLLECTIONS INTERNATIONAL**, Paris (FR)

Lancôme To Launch Idôle—In The Slimmest Bottle, Jul. 8, 2019, Beauty Packaging, URL:https://www.beautypackaging.com/contents/view\_breaking-news/2019-07-08/lancome-to-launch-idole---and-it-is-the-slimmest-bottle-ever/#:~:text=Lanc%C3%B4me%20has%20announced%20it%20will,design%20in%20the%20photos%20above.(Year:2019).\*

(\*) Notice: This patent is subject to a terminal disclaimer.

(Continued)

(\*\*) Term: **15 Years**

(21) Appl. No.: **29/682,585**

*Primary Examiner* — Brett Miller

*Assistant Examiner* — Rani J Abdallah

(22) Filed: **Mar. 6, 2019**

(74) *Attorney, Agent, or Firm* — Edell, Shapiro & Finnan, LLC

(30) **Foreign Application Priority Data**

Sep. 6, 2018 (EM) ..... 005631835-0001

(51) **LOC (13) Cl.** ..... **09-01**

(57) **CLAIM**

The ornamental design for a perfume bottle, as shown and described.

(52) **U.S. Cl.**

USPC ..... **D9/564**; D9/544; D9/694

**DESCRIPTION**

(58) **Field of Classification Search**

USPC ..... D9/503, 504, 529, 549, 551, 552, 553, D9/555, 564, 572, 573, 574, 575, 571, D9/694, 434, 435, 444, 445, 452, 454, D9/500, 516, 537-540, 558, 566, 682, D9/686-689; D3/202; D7/511, 523, 605; D28/76, 77

CPC ..... A45D 34/045; A61C 17/0205; A61C 1/0092; A61C 17/0202; A61C 17/028; B65D 23/108; B65D 51/32; A61H 13/005

See application file for complete search history.

FIG. 1 is a front, left perspective view from above of the perfume bottle showing the new design;  
FIG. 2 is a rear, right perspective view from below of the perfume bottle of FIG. 1;  
FIG. 3 is a front elevation view of the perfume bottle of FIG. 1;  
FIG. 4 is a rear elevation view of the perfume bottle of FIG. 1;  
FIG. 5 is a left side elevation view of the perfume bottle of FIG. 1;  
FIG. 6 is a right side elevation view of the perfume bottle of FIG. 1;  
FIG. 7 is a top plan view of the perfume bottle of FIG. 1;  
and,  
FIG. 8 is a bottom plan view of the perfume bottle of FIG. 1.

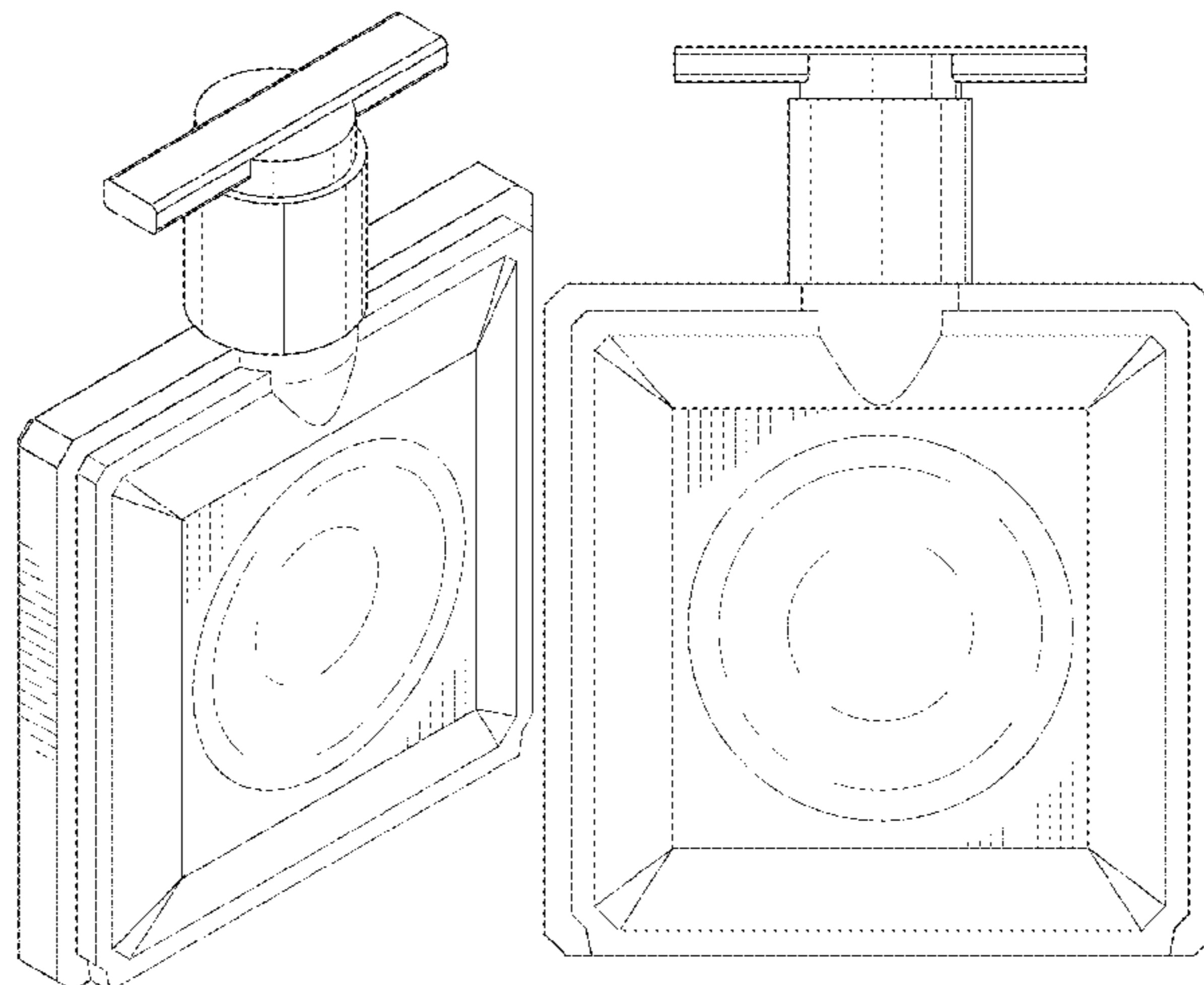
(56) **References Cited**

U.S. PATENT DOCUMENTS

D76,142 S \* 8/1928 Liddel ..... D9/544  
D76,291 S \* 9/1928 D'Escayrac ..... D9/544

(Continued)

**1 Claim, 6 Drawing Sheets**



(56)

References Cited

U.S. PATENT DOCUMENTS

D91,392 S \* 1/1934 Hale et al. .... D9/573  
 D100,050 S \* 6/1936 Sheridan ..... D9/573  
 D141,775 S \* 7/1945 Buckingham ..... D9/544  
 D143,657 S \* 1/1946 Graham ..... D9/573  
 D213,041 S \* 12/1968 Sthel ..... D9/529  
 D247,281 S \* 2/1978 Grodin ..... D9/564  
 D257,954 S \* 1/1981 Grodin ..... D9/564  
 D260,367 S \* 8/1981 Grip ..... D9/573  
 D260,610 S \* 9/1981 Grip ..... D9/573  
 D261,231 S \* 10/1981 Grip ..... D9/520  
 D261,232 S \* 10/1981 Grip ..... D9/575  
 D278,410 S \* 4/1985 Matsubara ..... D9/564  
 D284,549 S \* 7/1986 Vaussanvin ..... D3/202  
 D299,429 S \* 1/1989 Dinand ..... D9/529  
 D321,478 S \* 11/1991 Sassoli ..... D9/575  
 D329,383 S \* 9/1992 Boucheron ..... D9/529  
 D329,605 S \* 9/1992 Crawford ..... D9/529  
 D333,269 S \* 2/1993 Albright ..... D9/544  
 D333,270 S \* 2/1993 Albright ..... D9/529  
 D354,443 S \* 1/1995 Granai ..... D9/573  
 D356,502 S \* 3/1995 Poandl ..... D9/520  
 D381,275 S \* 7/1997 Lecoule ..... D9/572  
 D430,802 S \* 9/2000 Adachi ..... D9/551

D431,005 S \* 9/2000 Jentjen ..... D9/573  
 D431,190 S \* 9/2000 Adachi ..... D9/564  
 D484,419 S \* 12/2003 Potocki ..... D9/574  
 D486,072 S \* 2/2004 Potocki ..... D9/573  
 D519,844 S \* 5/2006 Mansau ..... D9/573  
 D533,459 S \* 12/2006 Wagner ..... D9/574  
 D553,004 S \* 10/2007 Krakoff ..... D9/694  
 D620,804 S \* 8/2010 Bogert ..... D9/573  
 D632,969 S \* 2/2011 Monteparo ..... D9/544  
 D639,667 S \* 6/2011 Bogert ..... D9/573  
 D863,971 S \* 10/2019 Monteparo ..... D9/574

FOREIGN PATENT DOCUMENTS

CN 304709639 \* 7/2018  
 JP D1598539 \* 2/2018

OTHER PUBLICATIONS

Chanel's New Limited-Edition Chanel Perfume Bottles Are Red, Sep. 10, 2018, The CUT, URL: <https://www.thecut.com/2018/09/chanel-no-5-will-be-released-in-limited-edition-red-bottles.html> (Year: 2018).\*

\* cited by examiner

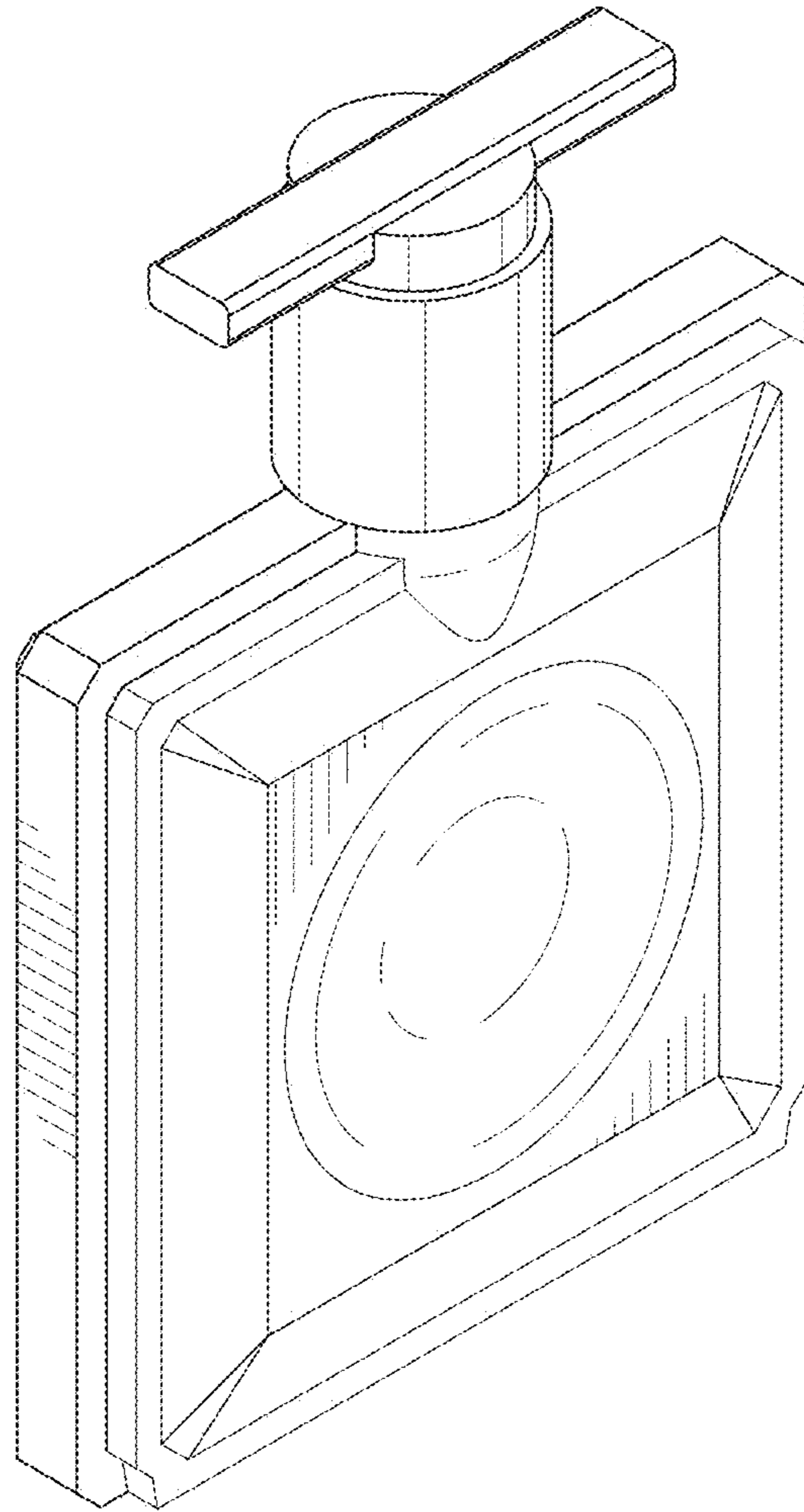


FIG.1

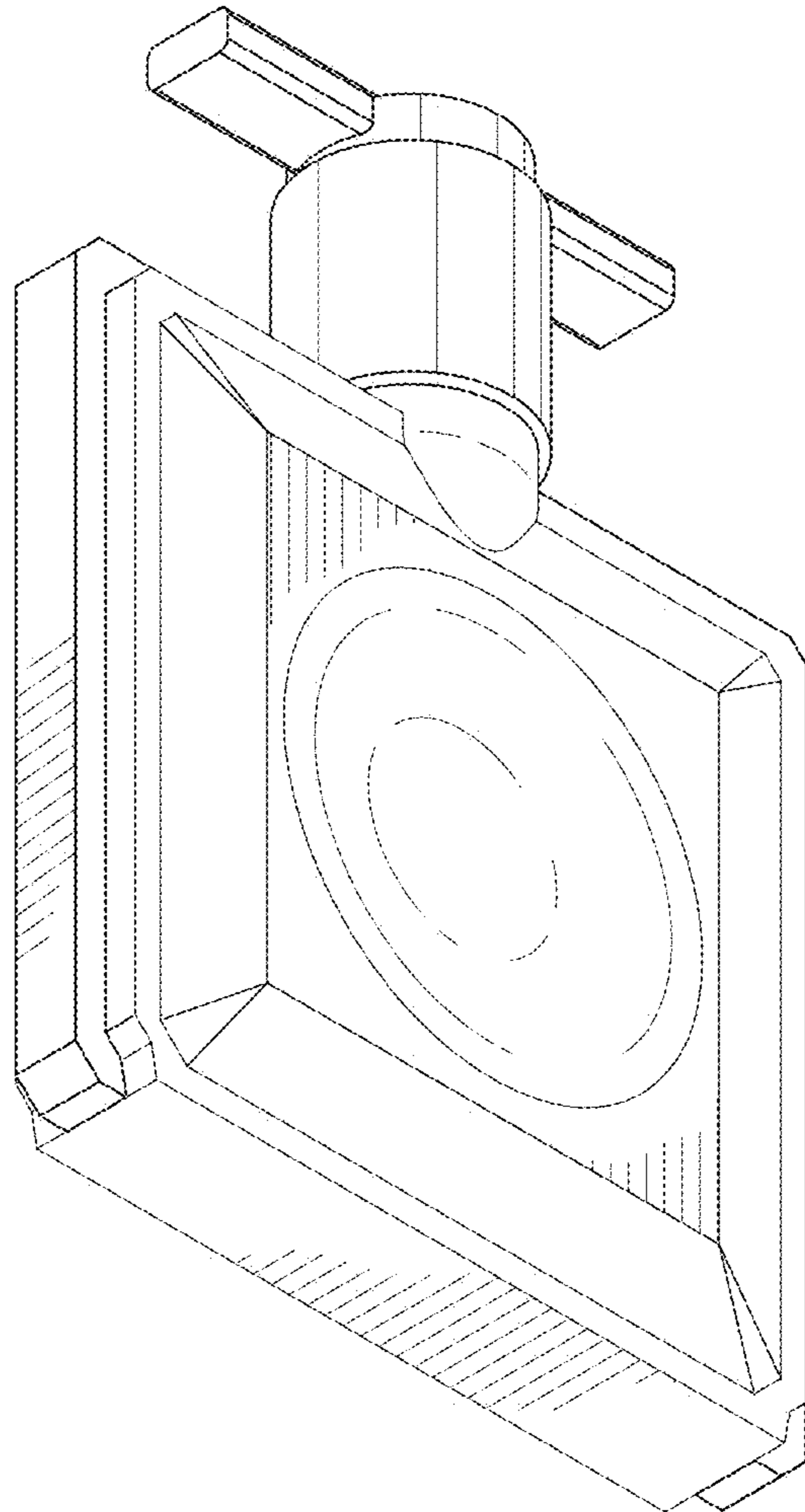


FIG.2

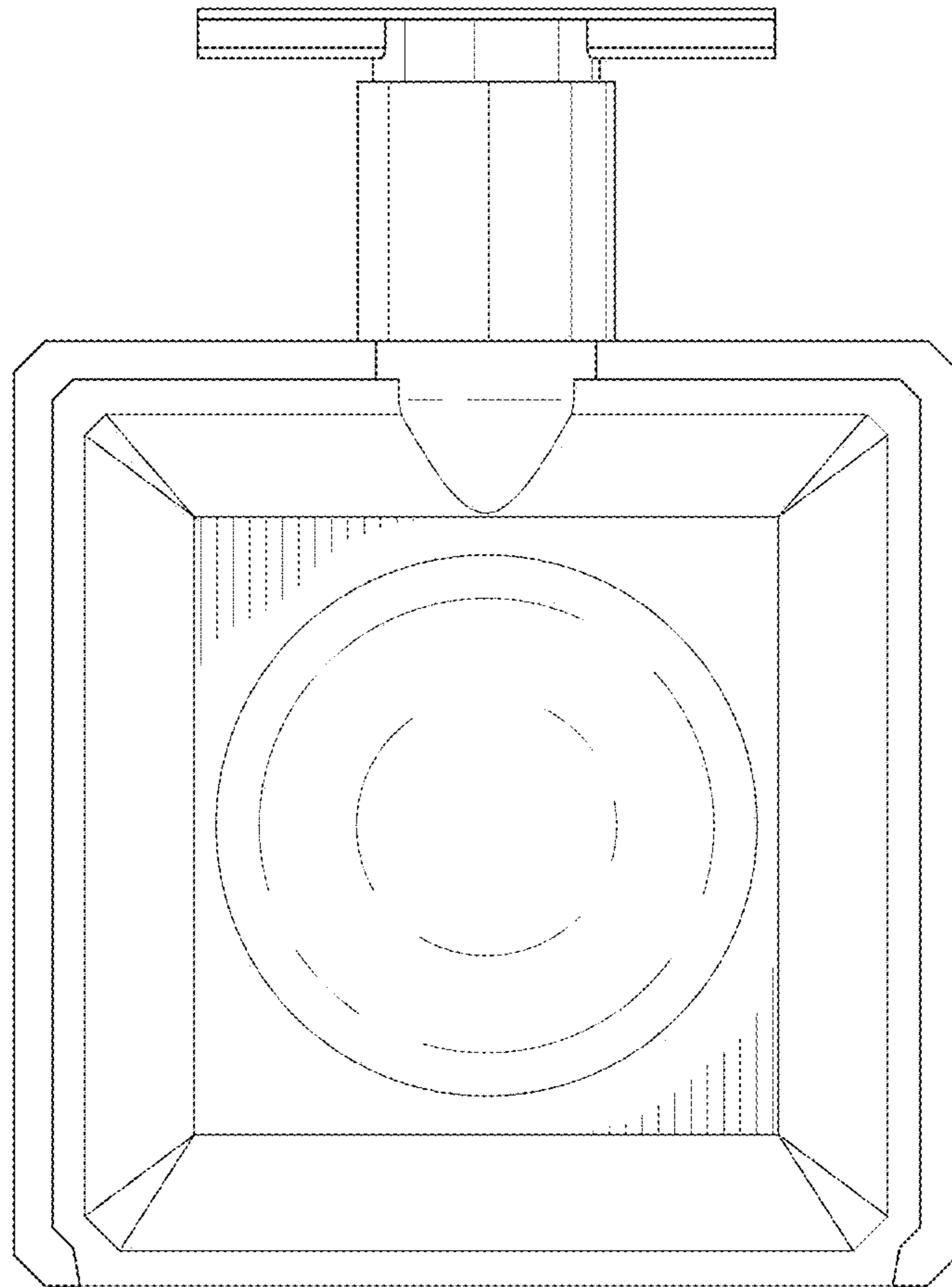


FIG.3



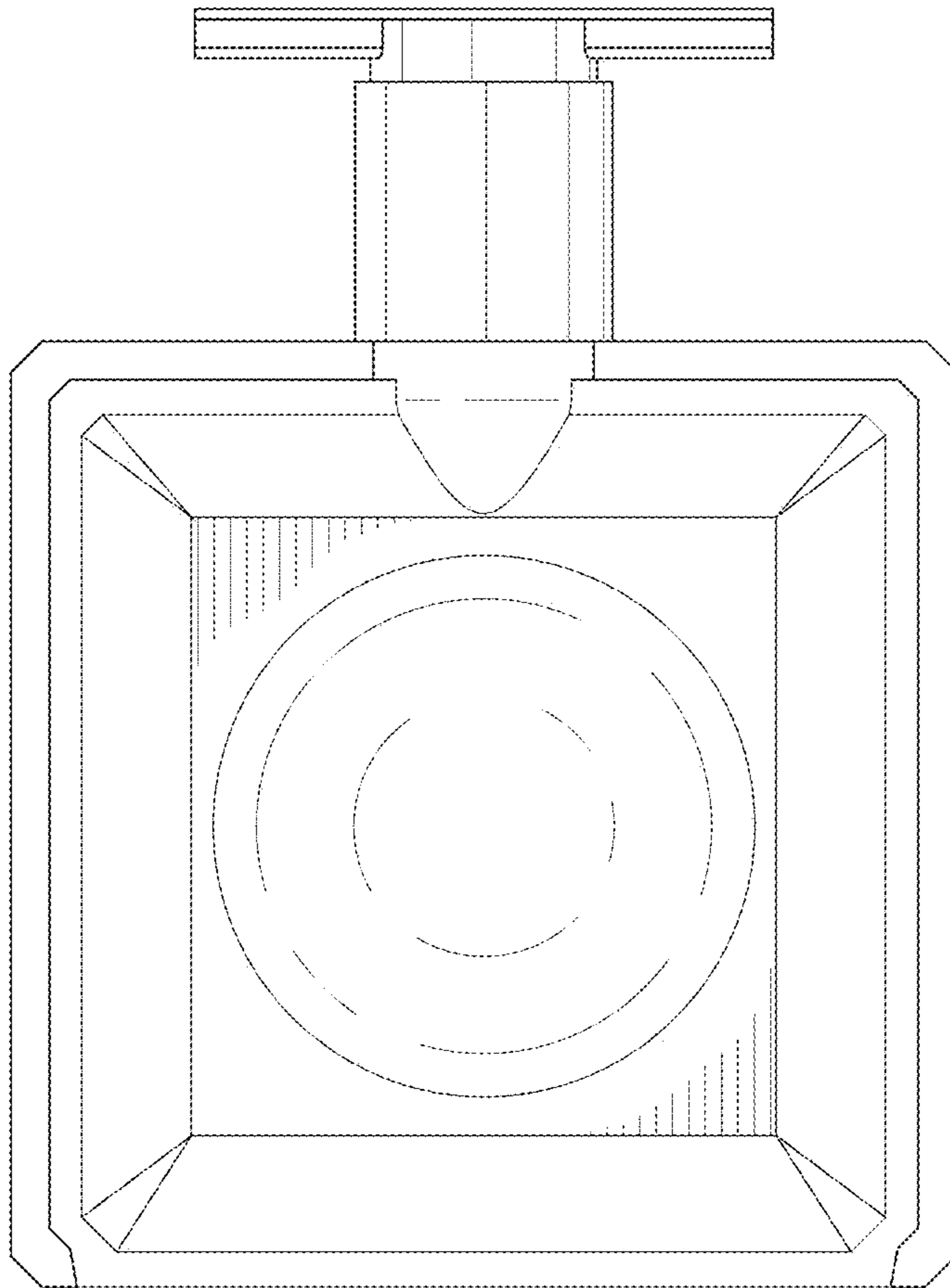


FIG.4

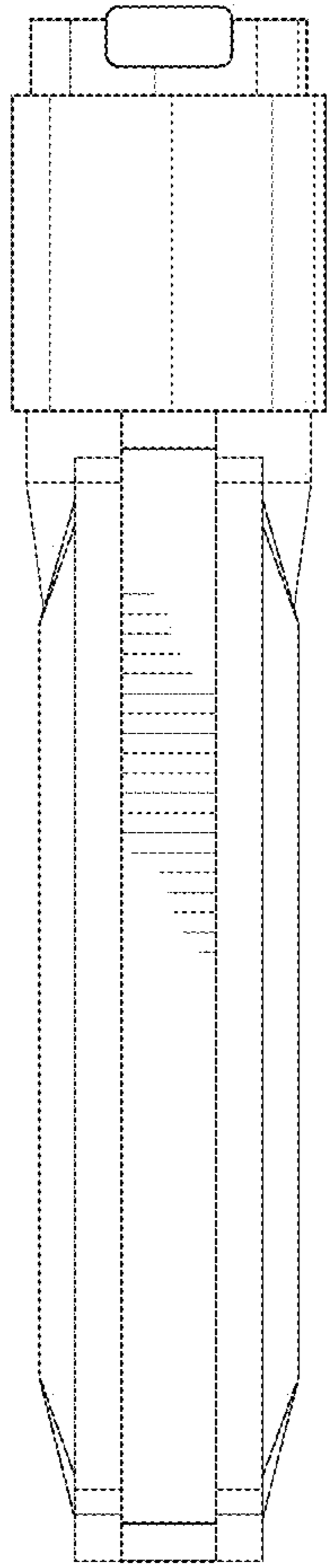


FIG.5

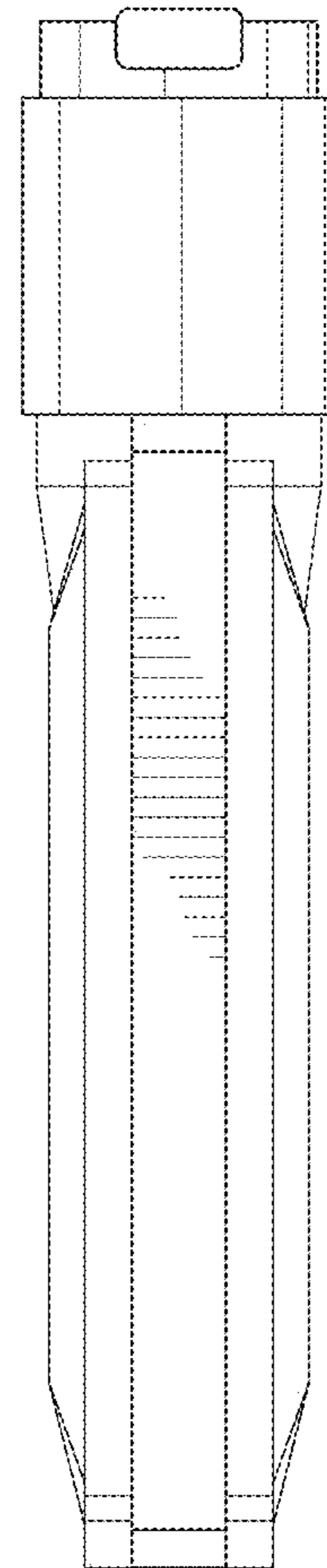


FIG.6

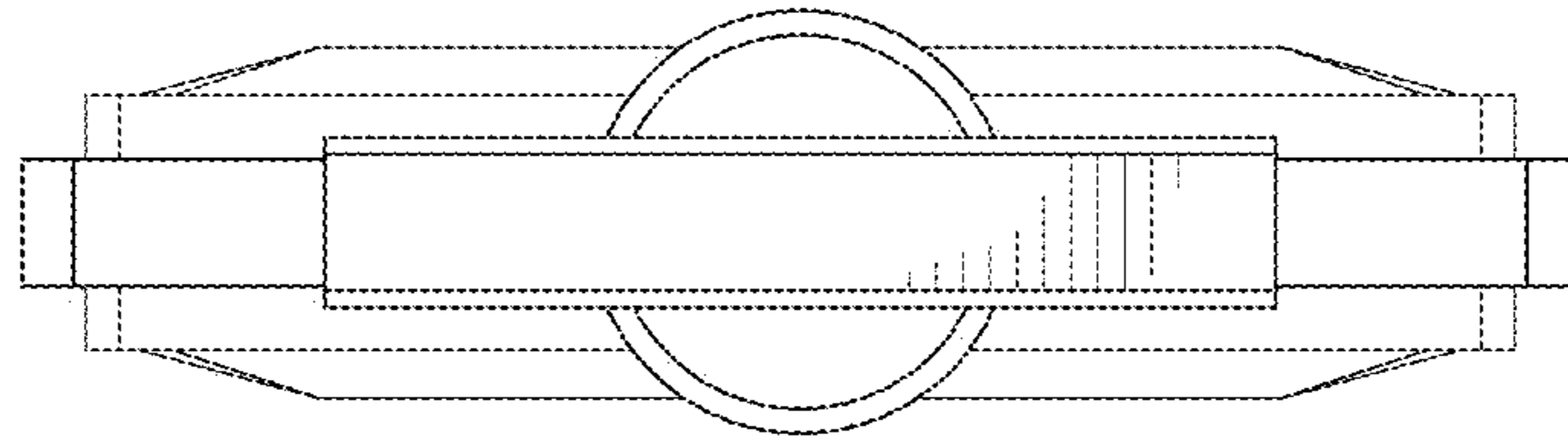


FIG. 7

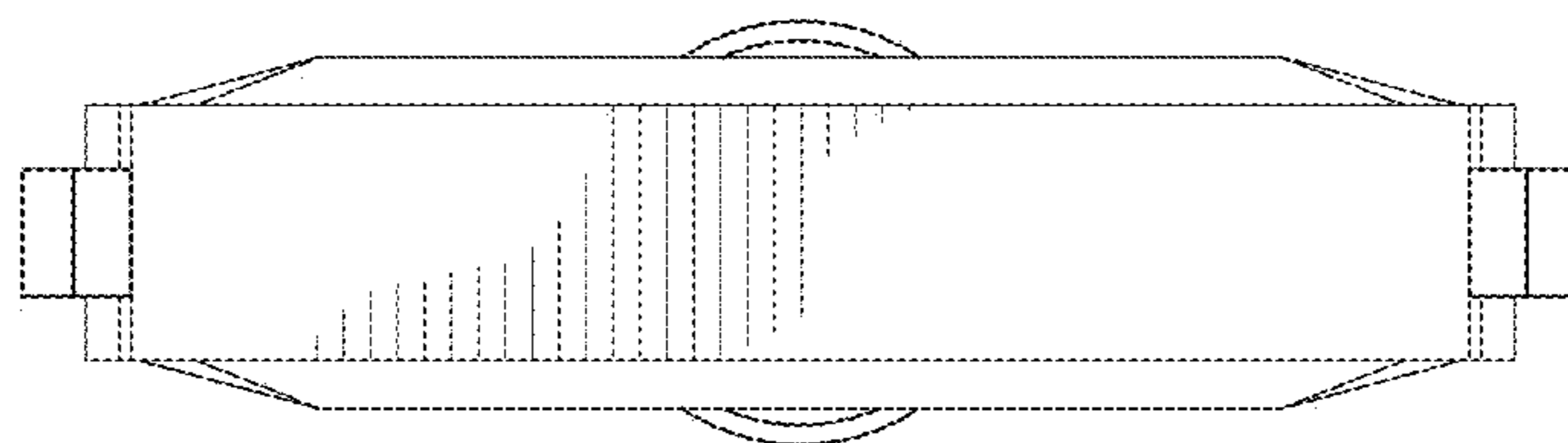


FIG. 8