



US00D915891S

(12) **United States Design Patent**
Mellen

(10) **Patent No.:** **US D915,891 S**

(45) **Date of Patent:** **** *Apr. 13, 2021**

(54) **TAPERED INTEGRAL HANDLE PRE-FORM**

(71) Applicant: **Integrated Plastics Pty Limited,**
Villawood (AU)

(72) Inventor: **Nick Mellen,** Villawood (AU)

(73) Assignee: **INTEGRATED PLASTICS PTY LTD,** Villawood (AU)

(*) Notice: This patent is subject to a terminal disclaimer.

(**) Term: **15 Years**

(21) Appl. No.: **29/664,253**

(22) Filed: **Sep. 24, 2018**

(30) **Foreign Application Priority Data**

Mar. 23, 2018 (AU) 201811807

(51) **LOC (13) Cl.** **09-01**

(52) **U.S. Cl.**
USPC **D9/521; D9/531**

(58) **Field of Classification Search**
USPC D9/521, 531, 553, 530, 539, 540, 523,
D9/560, 563, 549, 738, 500, 501, 428,
D9/429, 565, 575, 529, 552; D7/509,
D7/510, 511, 523, 605, 603, 608;
D24/121; D11/143
CPC B65D 1/0223; B65D 79/005; B65D
2501/0081; B65D 23/102; B65D
2501/0036

See application file for complete search history.

(56) **References Cited**

U.S. PATENT DOCUMENTS

D427,909 S * 7/2000 Doritty D9/500
D445,030 S * 7/2001 Croft D9/438
D587,118 S * 2/2009 Sadiq D9/516

D605,517 S * 12/2009 Caldwell D9/500
D607,731 S * 1/2010 Soliman D9/500
D626,414 S * 11/2010 Cresswell D9/500
D629,689 S * 12/2010 Cresswell D9/500
D629,690 S * 12/2010 Cresswell D9/500
D633,794 S * 3/2011 Cresswell D9/500
D633,795 S * 3/2011 Cresswell D9/500
D633,796 S * 3/2011 Cresswell D9/500
D649,402 S * 11/2011 Gilbert D7/510
D651,853 S * 1/2012 Eyal D7/510
D652,682 S * 1/2012 Eyal D7/510
D658,944 S * 5/2012 Gilbert D7/511
D669,737 S * 10/2012 Nemeth D7/532
D706,582 S * 6/2014 Oas D7/510
D729,583 S * 5/2015 Lapsker D7/510

(Continued)

Primary Examiner — Brett Miller

Assistant Examiner — Rani J Abdallah

(74) *Attorney, Agent, or Firm* — Ladas & Parry LLP

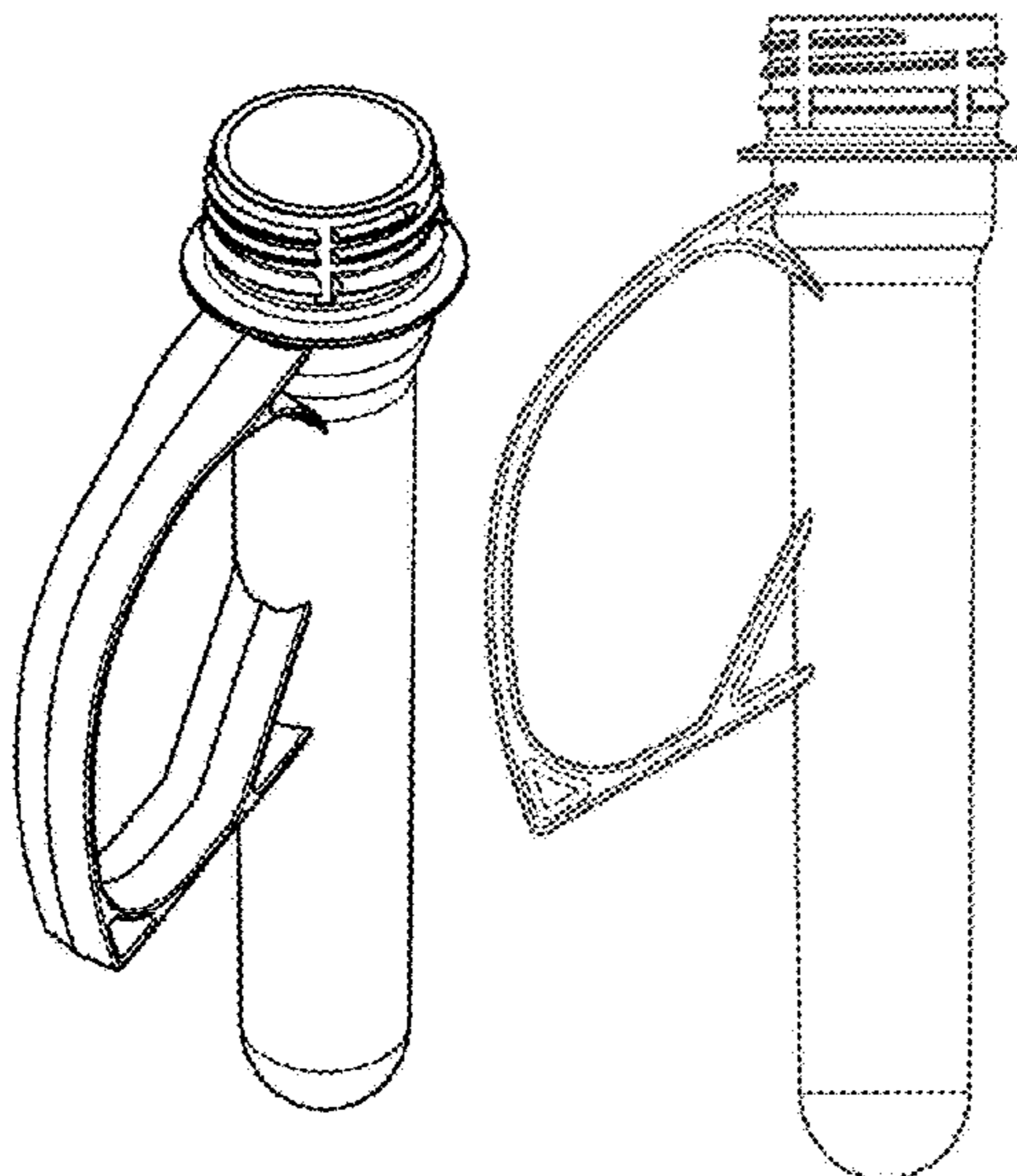
(57) **CLAIM**

I claim the ornamental design for a tapered integral handle pre-form, as shown and described.

DESCRIPTION

FIG. 1 is a sectioned side view showing my new design for a tapered integral handle pre-form;
FIG. 2 is a front elevational view thereof;
FIG. 3 is a perspective view thereof;
FIG. 4 is a rear elevational view thereof;
FIG. 5 is a left side elevational view thereof;
FIG. 6 is a right side elevational view thereof;
FIG. 7 is a top plan view thereof;
FIG. 8 is a bottom plan view thereof;
FIG. 9 is a transverse cross section taken along the line 9-9 in FIG. 11;
FIG. 10 is a transverse cross section taken along the line 10-10 in FIG. 11; and,
FIG. 11 is a right side view annotated with the lines 9-9 and 10-10.

1 Claim, 8 Drawing Sheets



(56)

References Cited

U.S. PATENT DOCUMENTS

D729,584 S *	5/2015	Weston	D7/510	D842,701 S *	3/2019	Suga	D9/500
D740,676 S *	10/2015	Brown	D9/500	D843,216 S *	3/2019	Suga	D9/500
D746,634 S *	1/2016	Lapsker	D7/532	D846,354 S *	4/2019	Omdahl, II	D7/510
D761,624 S *	7/2016	McLean	D7/510	D860,800 S *	9/2019	Hao	D9/540
D784,775 S *	4/2017	Seiders	D7/608	D876,173 S *	2/2020	Kotani	D7/608
D791,549 S *	7/2017	Goodwin	D7/608	D876,895 S *	3/2020	McCready	D7/510
D792,742 S *	7/2017	Meyers	D7/536	D879,559 S *	3/2020	Lowette	D7/531
D794,397 S *	8/2017	Seiders	D7/608	D883,041 S *	5/2020	Park	D7/608
D798,664 S *	10/2017	Kristinik	D7/509	D885,923 S *	6/2020	Omdahl, II	D9/530
D799,906 S *	10/2017	Seiders	D7/608	D888,578 S *	6/2020	Chupak	D9/776
D799,907 S *	10/2017	Seiders	D7/608	2002/0039609 A1 *	4/2002	Bezek	B65D 1/165 426/106
D801,814 S *	11/2017	Liu	D9/502	2008/0047924 A1 *	2/2008	Coats	B65D 25/465 215/389
D805,852 S *	12/2017	Seiders	D7/608	2013/0330490 A1 *	12/2013	Calello	B29B 11/14 428/36.5
D808,810 S *	1/2018	Rajesh	D9/516	2016/0250795 A1 *	9/2016	Knight	B29C 49/0073 215/44
D810,510 S *	2/2018	Serruya	D7/511	2017/0305640 A1 *	10/2017	Thompson	B65D 23/0878
D822,489 S *	7/2018	Bischoff	D9/500	2017/0326779 A1 *	11/2017	Toyoda	B65D 1/00
D841,473 S *	2/2019	Omdahl, II	D9/530	2018/0194059 A1 *	7/2018	Hirayama	B29C 49/221
D841,474 S *	2/2019	Omdahl, II	D9/530					
D842,116 S *	3/2019	Mellen	D9/531					

* cited by examiner

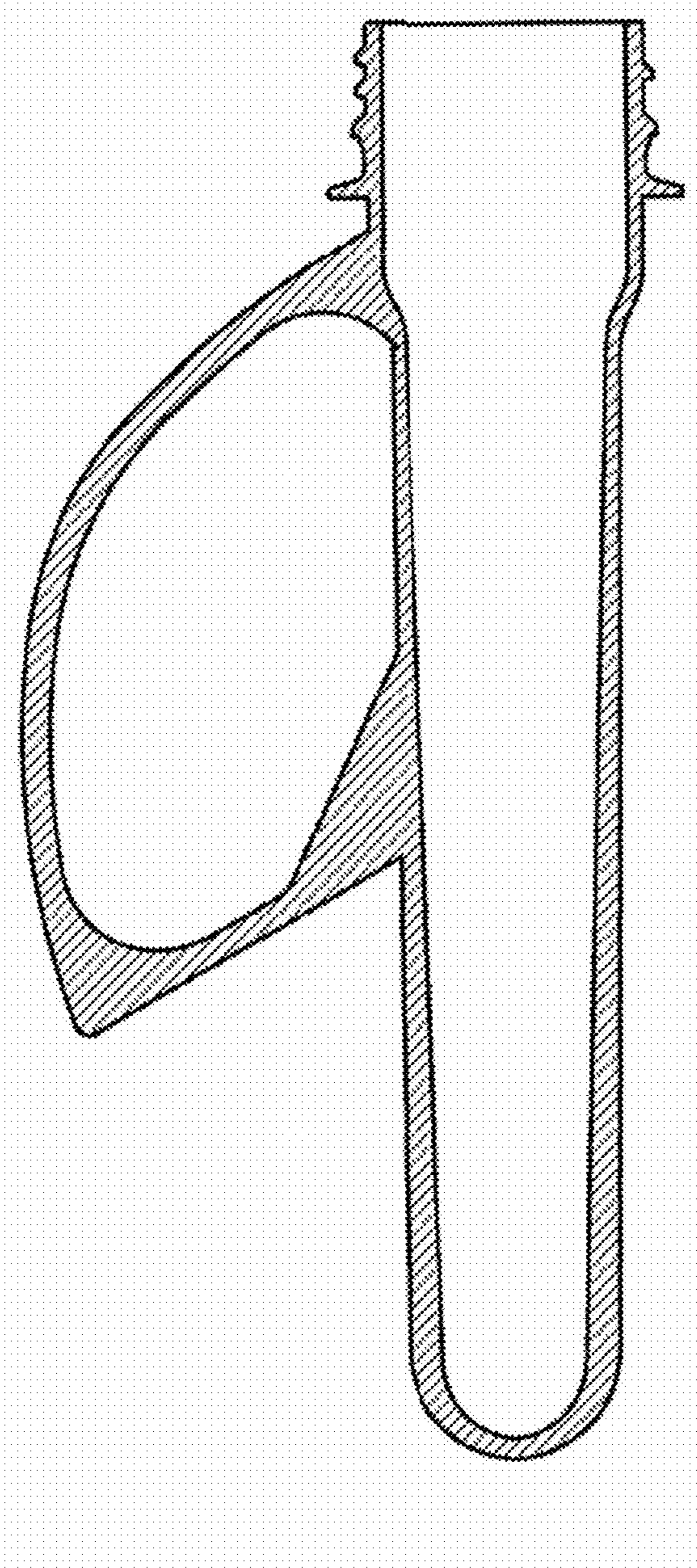


FIGURE 1

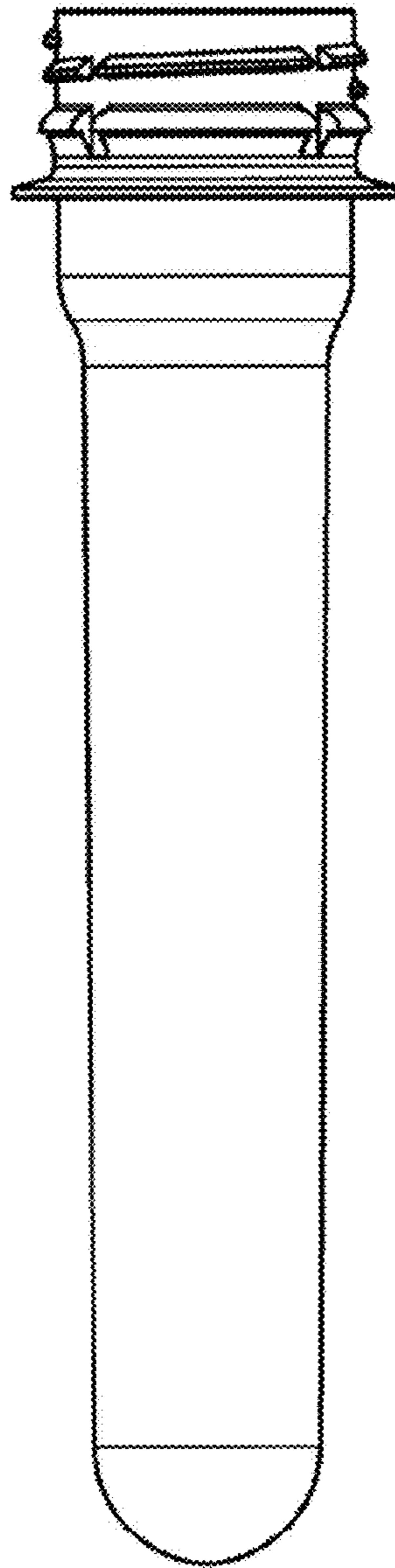


Figure 2

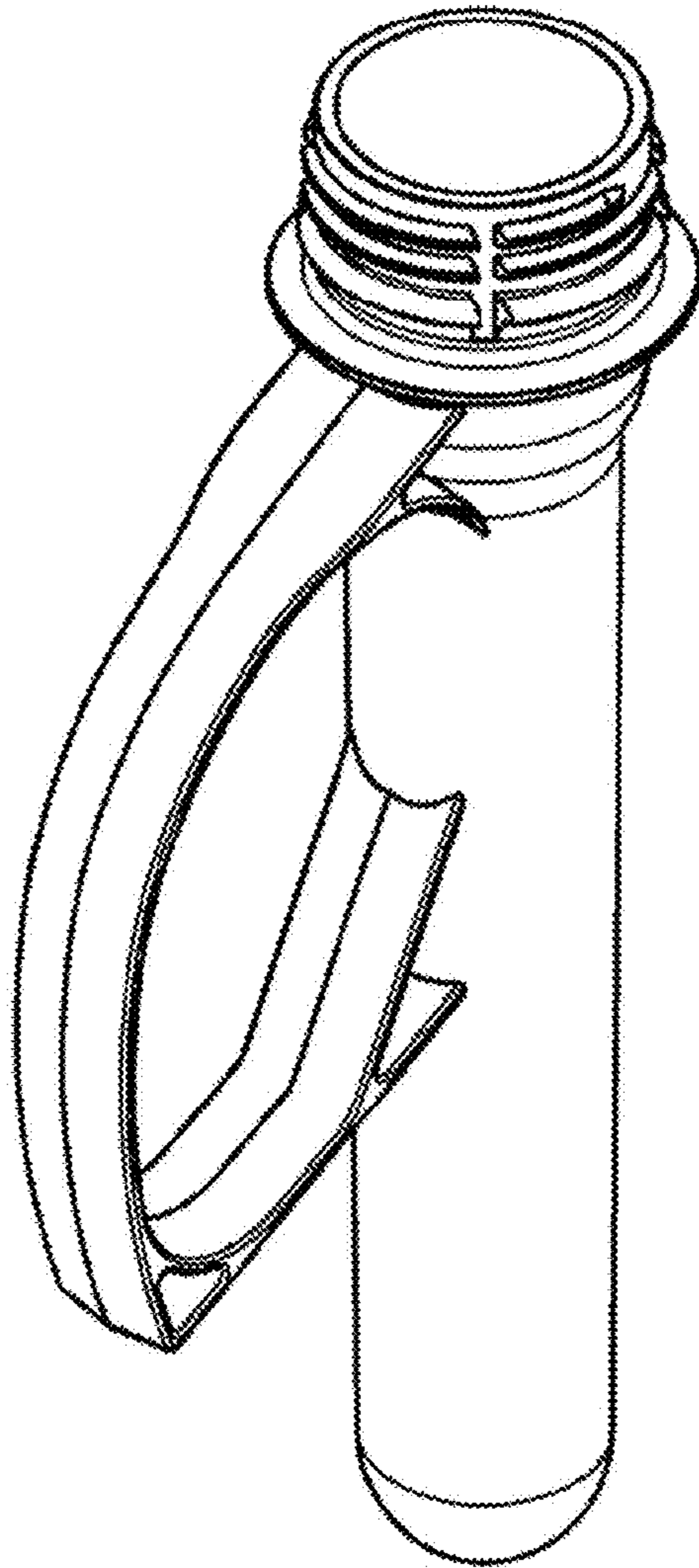


Figure 3

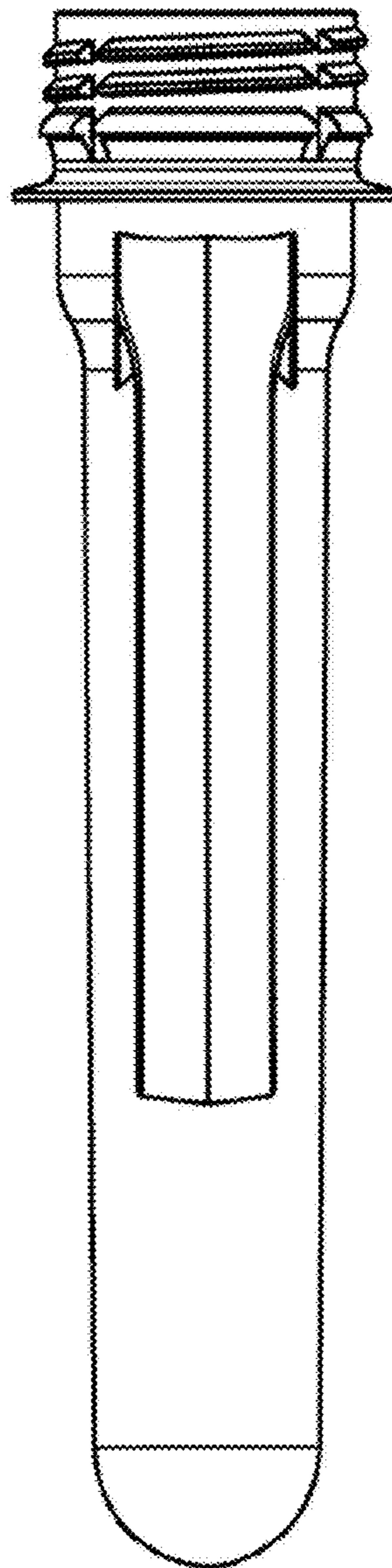


Figure 4

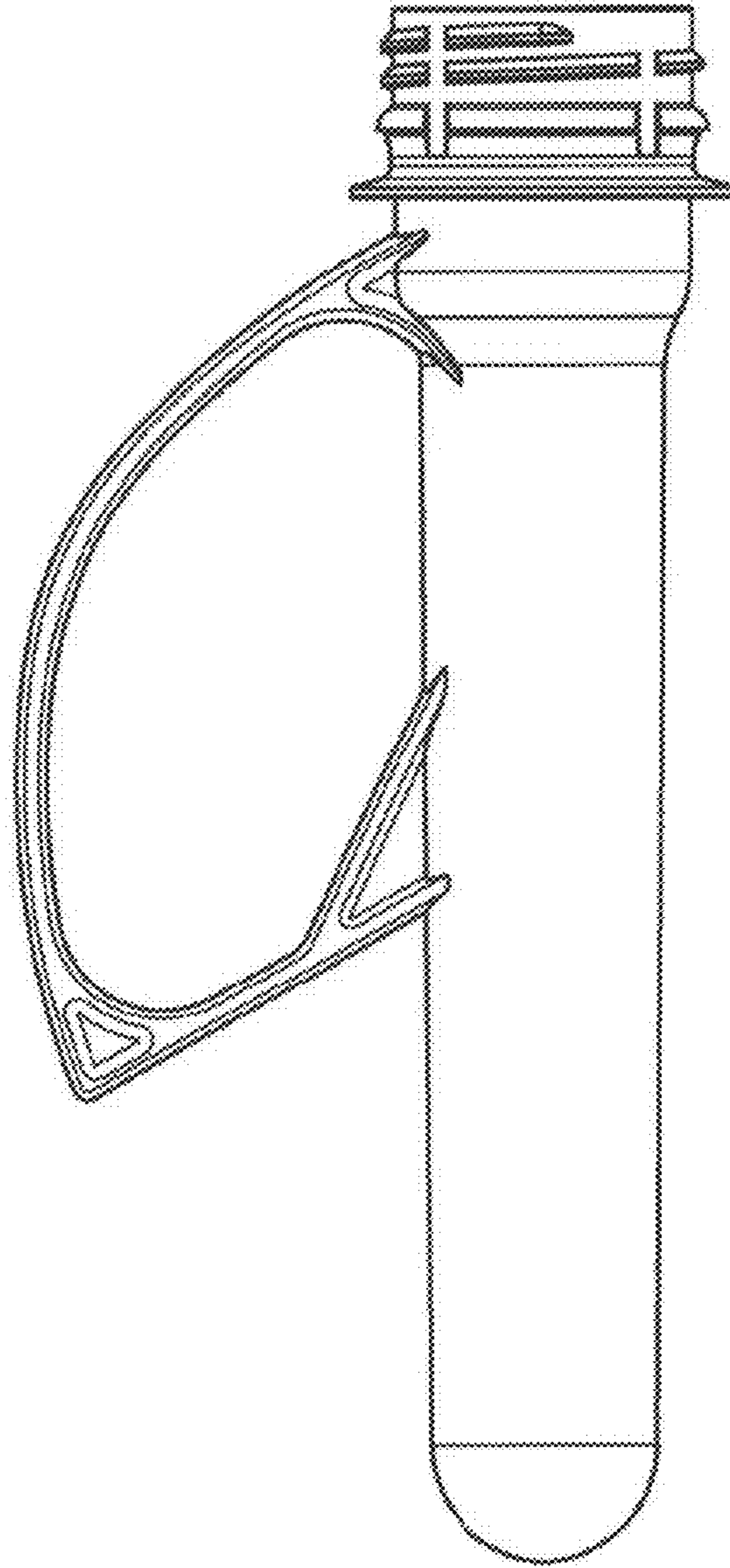


Figure 5

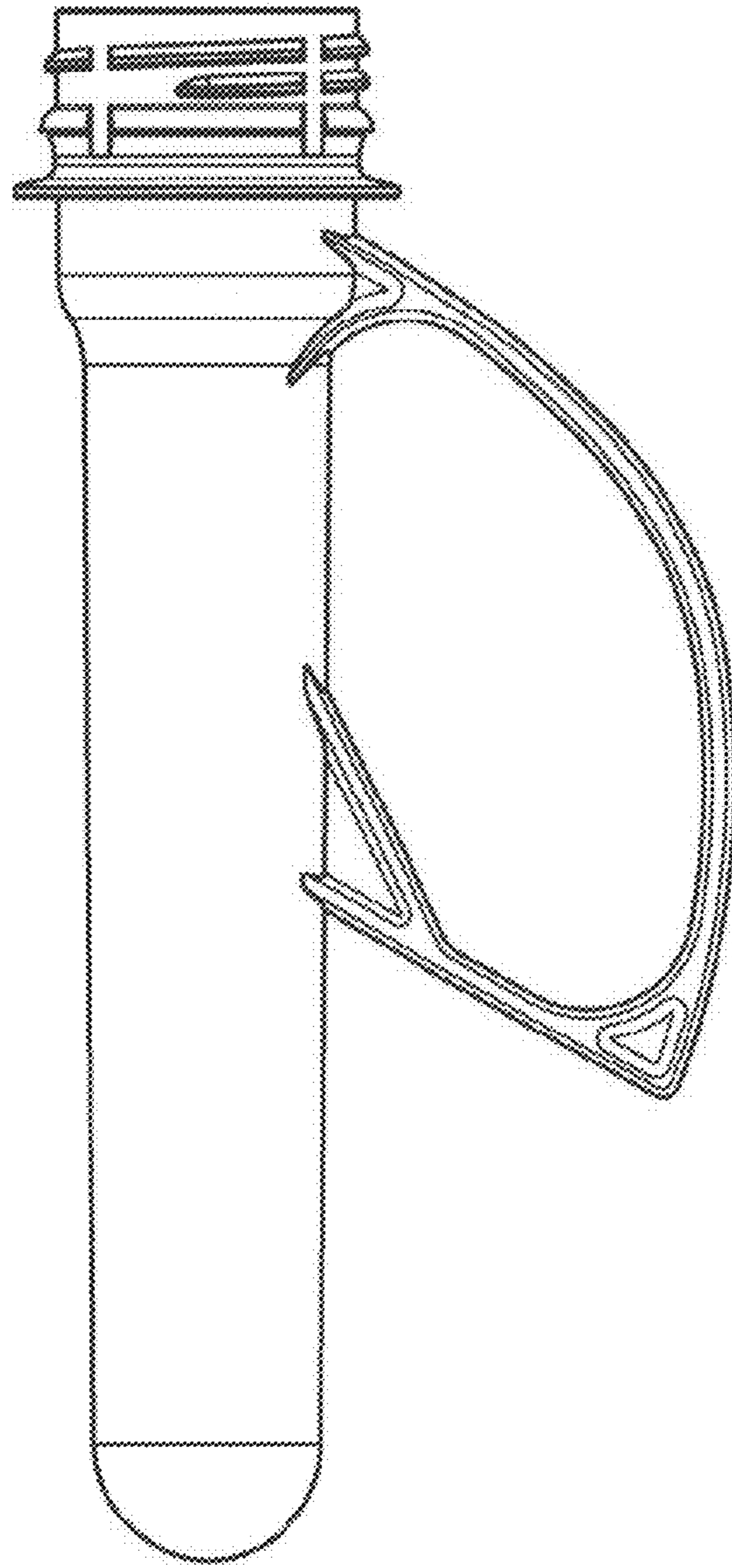


Figure 6

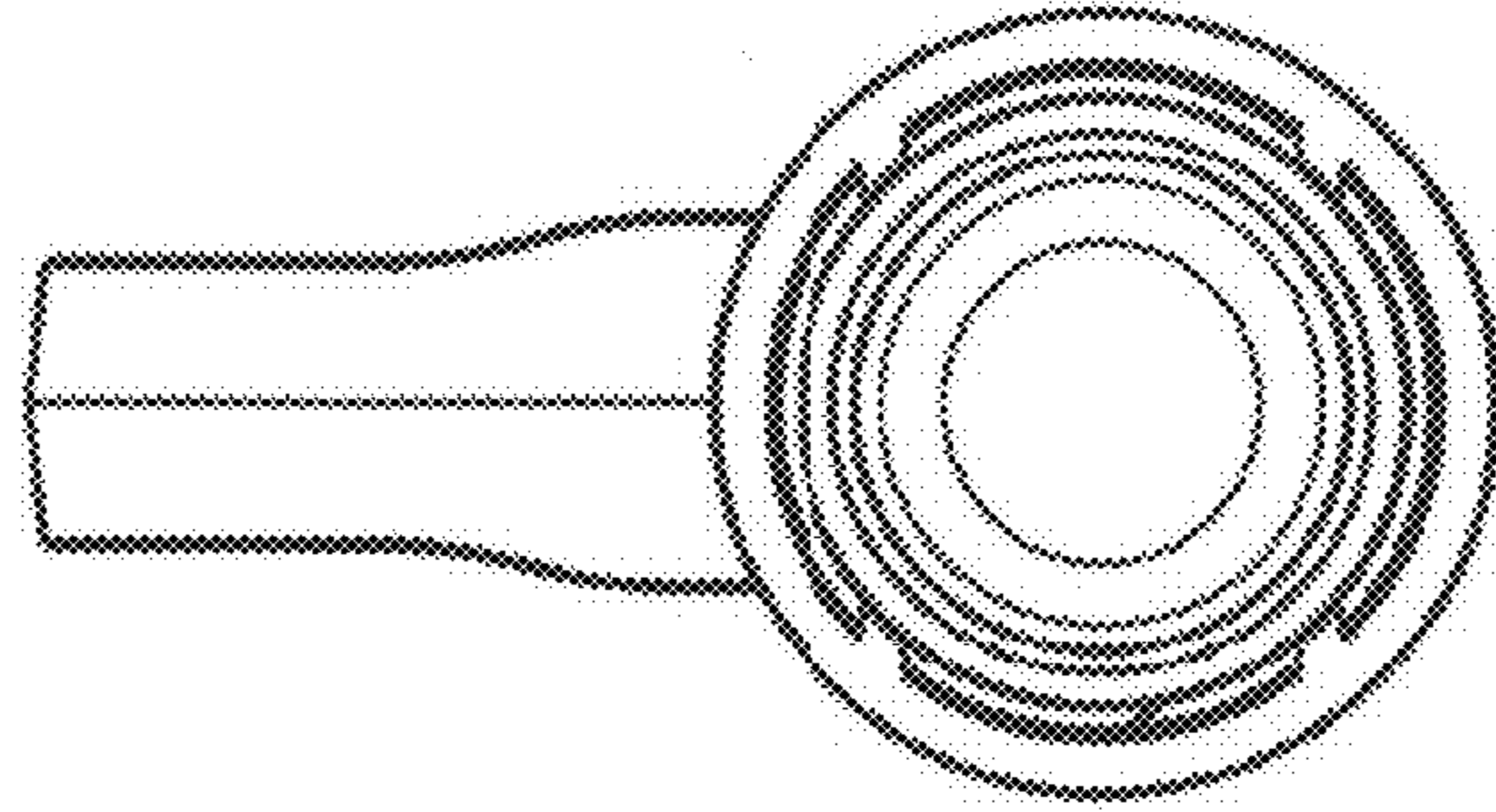


Figure 7

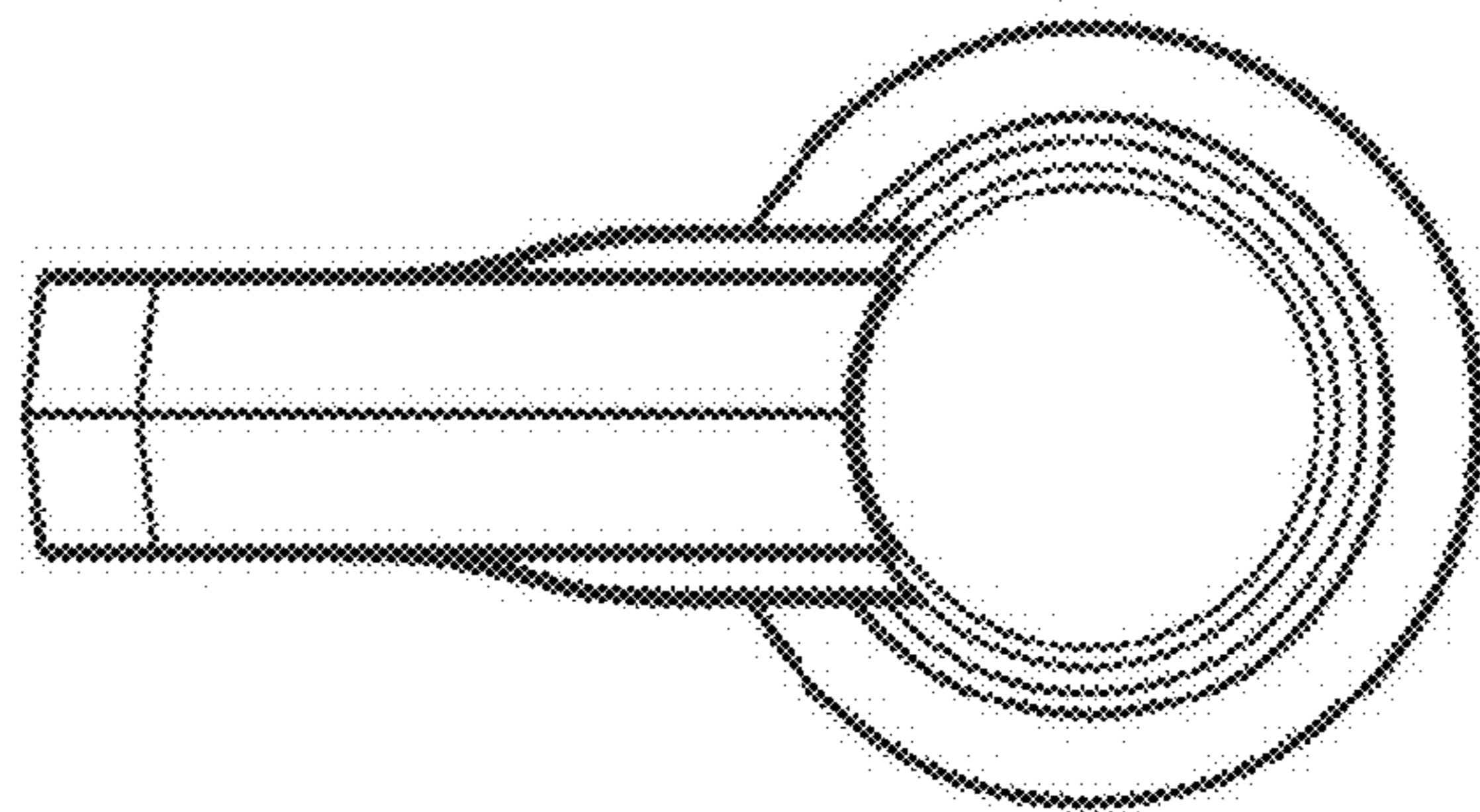


Figure 8

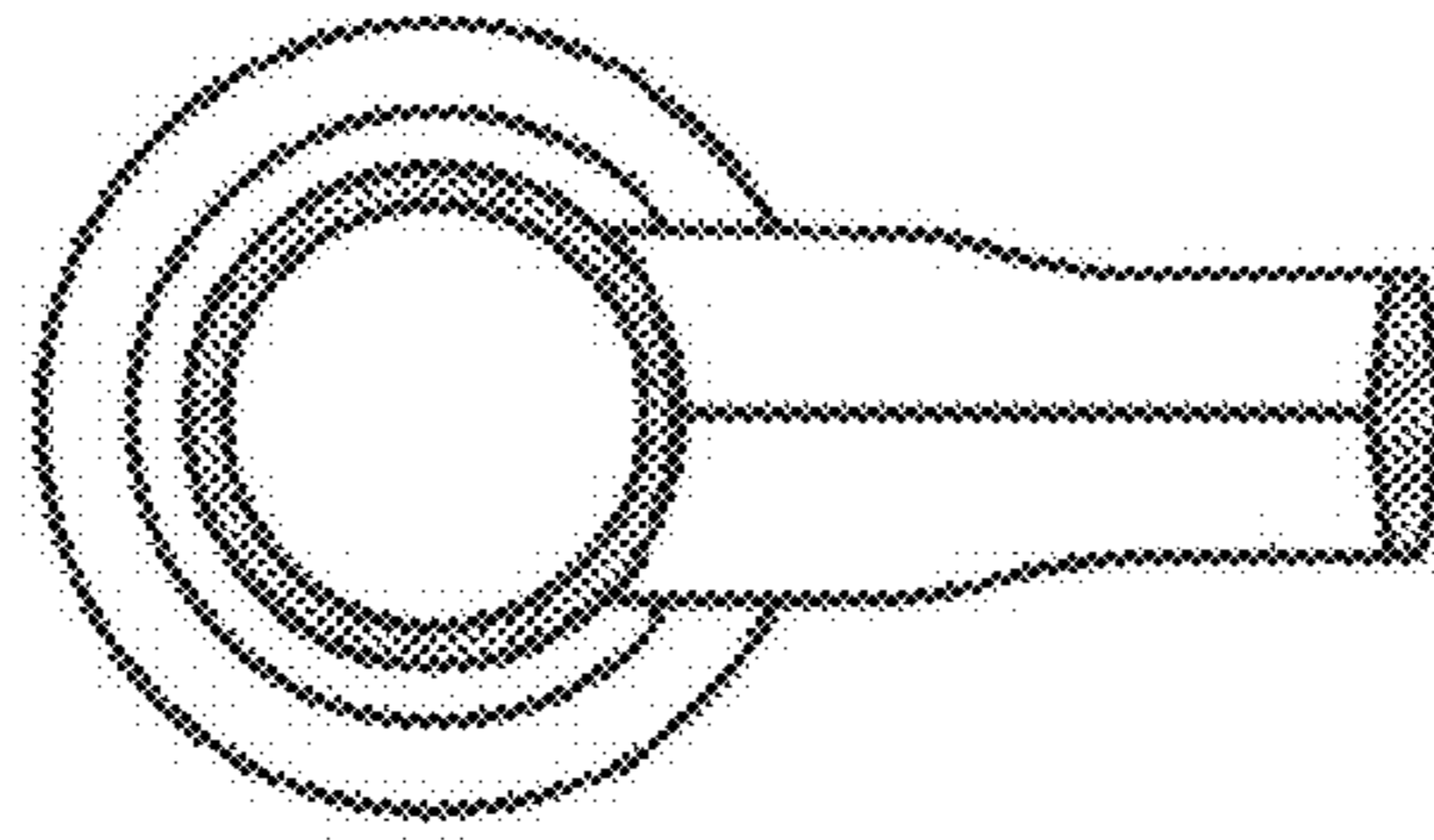


Figure 9

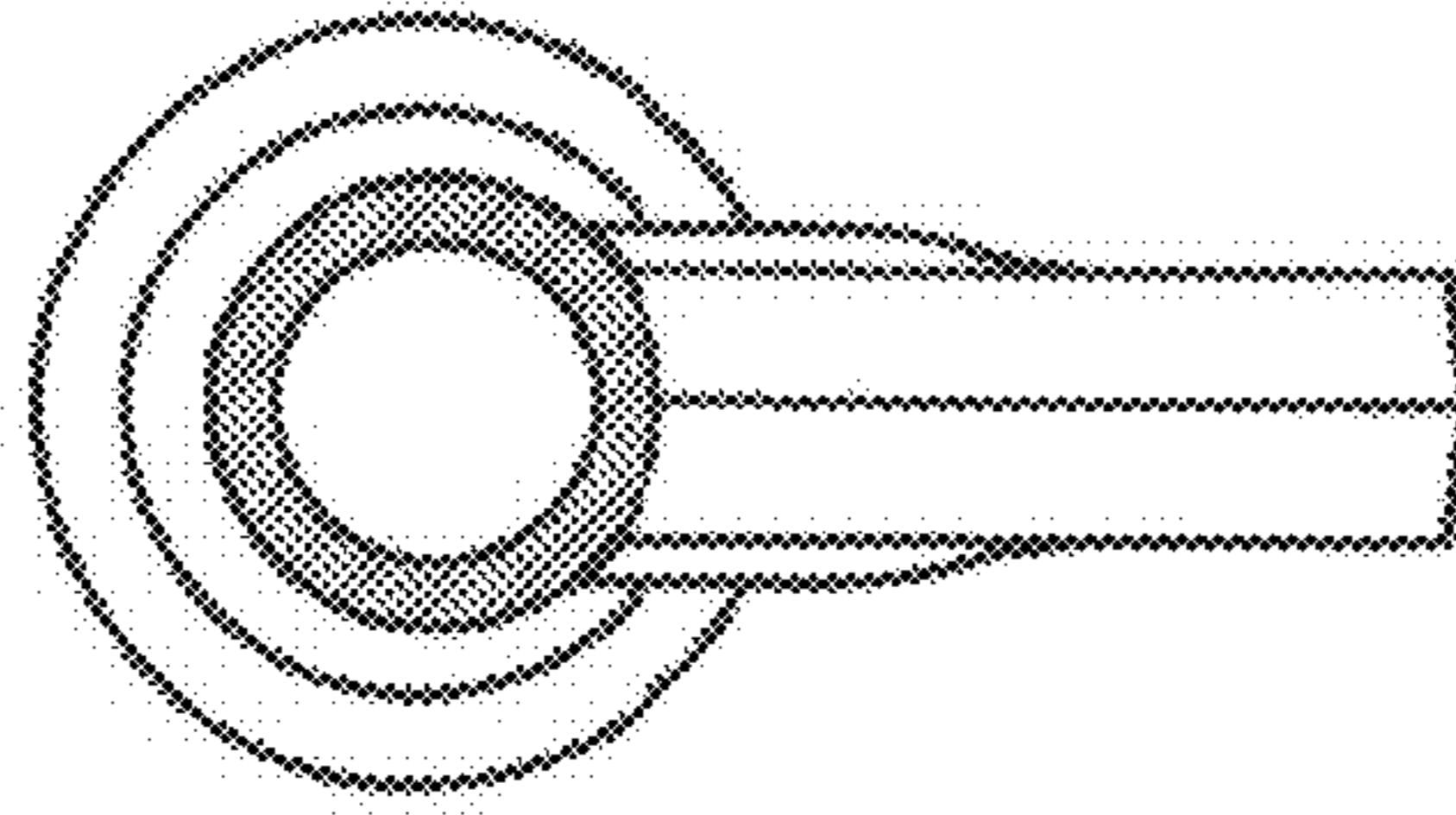


Figure 10

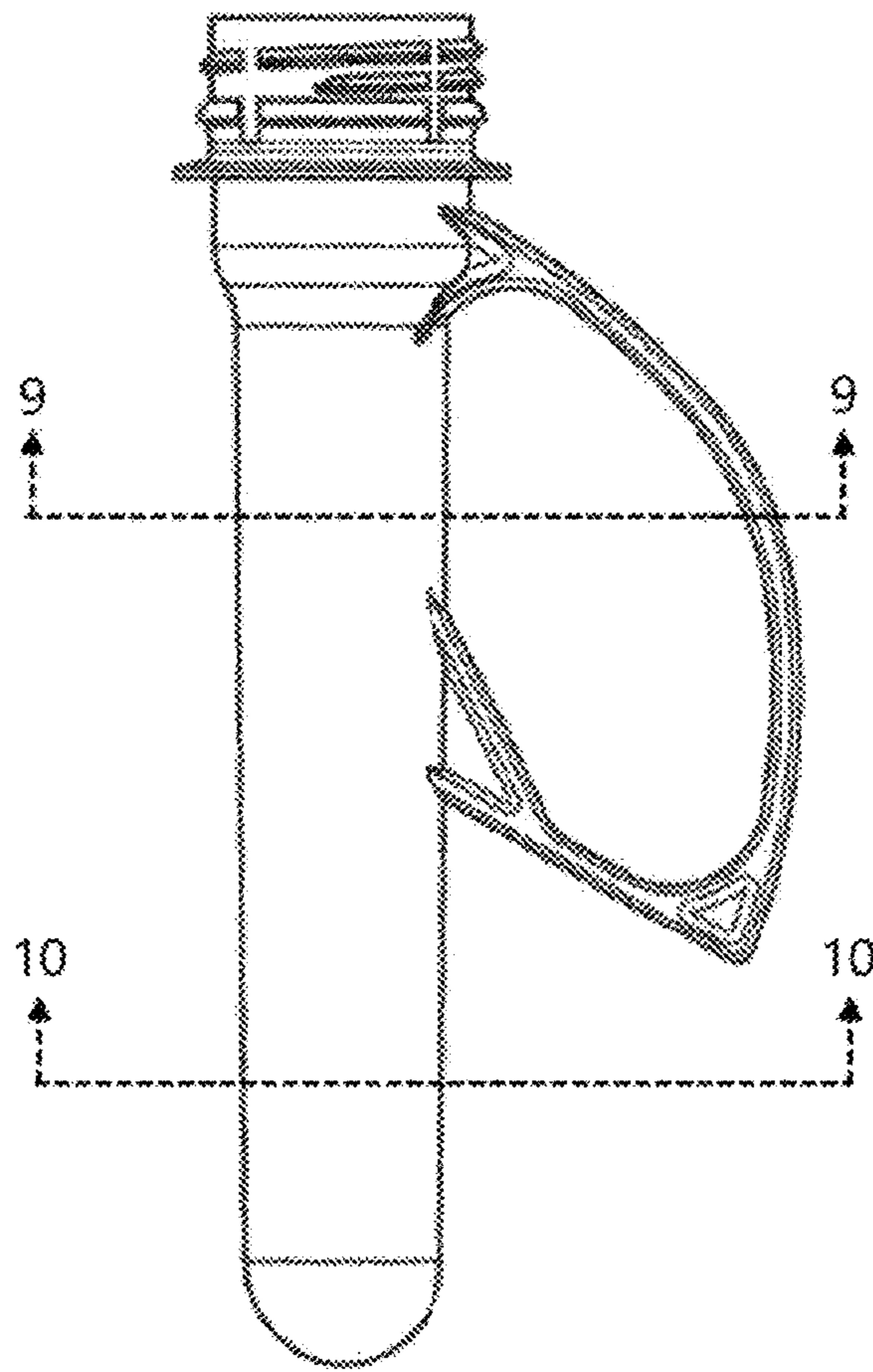


Figure 11