



US00D915889S

(12) **United States Design Patent**
Wade

(10) **Patent No.:** **US D915,889 S**

(45) **Date of Patent:** **** Apr. 13, 2021**

(54) **CONTAINER**

(71) Applicant: **Altium Packaging LP**, Atlanta, GA
(US)

(72) Inventor: **Dena Sheree Wade**, Atlanta, GA (US)

(73) Assignee: **Altium Packaging LP**, Atlanta, GA
(US)

(**) Term: **15 Years**

(21) Appl. No.: **29/716,915**

(22) Filed: **Dec. 12, 2019**

(51) **LOC (13) Cl.** **09-01**

(52) **U.S. Cl.**
USPC **D9/516; D9/543**

(58) **Field of Classification Search**
USPC D9/440, 443, 447, 516, 520, 523–528,
D9/530–543, 550, 551, 552, 554, 556,
D9/558, 563, 428, 573–575, 564, 522,
D9/529; D7/396.2, 507, 509, 510, 511,
D7/532, 533, 608, 631–634; D3/202, 23;
D6/518, 523, 734
CPC B65D 1/0223; B65D 2543/00296; B65D
2543/00092; B65D 2543/00537; B65D
2501/0081; B65D 23/10; B65D 23/102;
B65D 1/85; B65D 1/44; A47J 43/27;
A47L 9/2205

See application file for complete search history.

(56) **References Cited**

U.S. PATENT DOCUMENTS

D306,969 S * 4/1990 Alberghini D9/540
D382,807 S * 8/1997 Silvers D9/520
D383,067 S * 9/1997 Gower D9/520
D390,114 S * 2/1998 Young D9/520
D444,069 S * 6/2001 Bansal D9/543
D444,070 S * 6/2001 Bansal D9/543
D444,391 S * 7/2001 Bansal D9/543

D452,158 S * 12/2001 Dygert D9/538
D458,849 S * 6/2002 Burleson D9/520
D472,813 S * 4/2003 Wright D9/530
D472,814 S * 4/2003 Wright D9/530
D472,816 S * 4/2003 Wright D9/543
D559,686 S * 1/2008 Futral D9/516
D580,270 S * 11/2008 Futral D9/541
D649,467 S * 11/2011 Sheridan D9/541
D655,176 S * 3/2012 Kraft D9/541
D661,196 S * 6/2012 Heisner D9/538
D663,624 S * 7/2012 Eble D9/538
D703,540 S * 4/2014 Yourist D9/538
D703,541 S * 4/2014 Yourist D9/541
8,739,995 B2 * 6/2014 Sasaki B65D 1/0223
215/384
D712,270 S * 9/2014 Maquita Nakano D9/538
D722,883 S * 2/2015 Eble D9/543
D722,884 S * 2/2015 Eble D9/543
D756,229 S * 5/2016 Zweifel D9/530
D756,230 S * 5/2016 Zweifel D9/530

(Continued)

Primary Examiner — Brett Miller

Assistant Examiner — Rani J Abdallah

(74) *Attorney, Agent, or Firm* — Brient IP Law, LLC

(57) **CLAIM**

The ornamental design of a container, as shown and described.

DESCRIPTION

FIG. 1 is a front perspective view of a container showing the claimed design;

FIG. 2 is a rear elevation view thereof;

FIG. 3 is a front elevation view thereof;

FIG. 4 is a right side elevation view thereof;

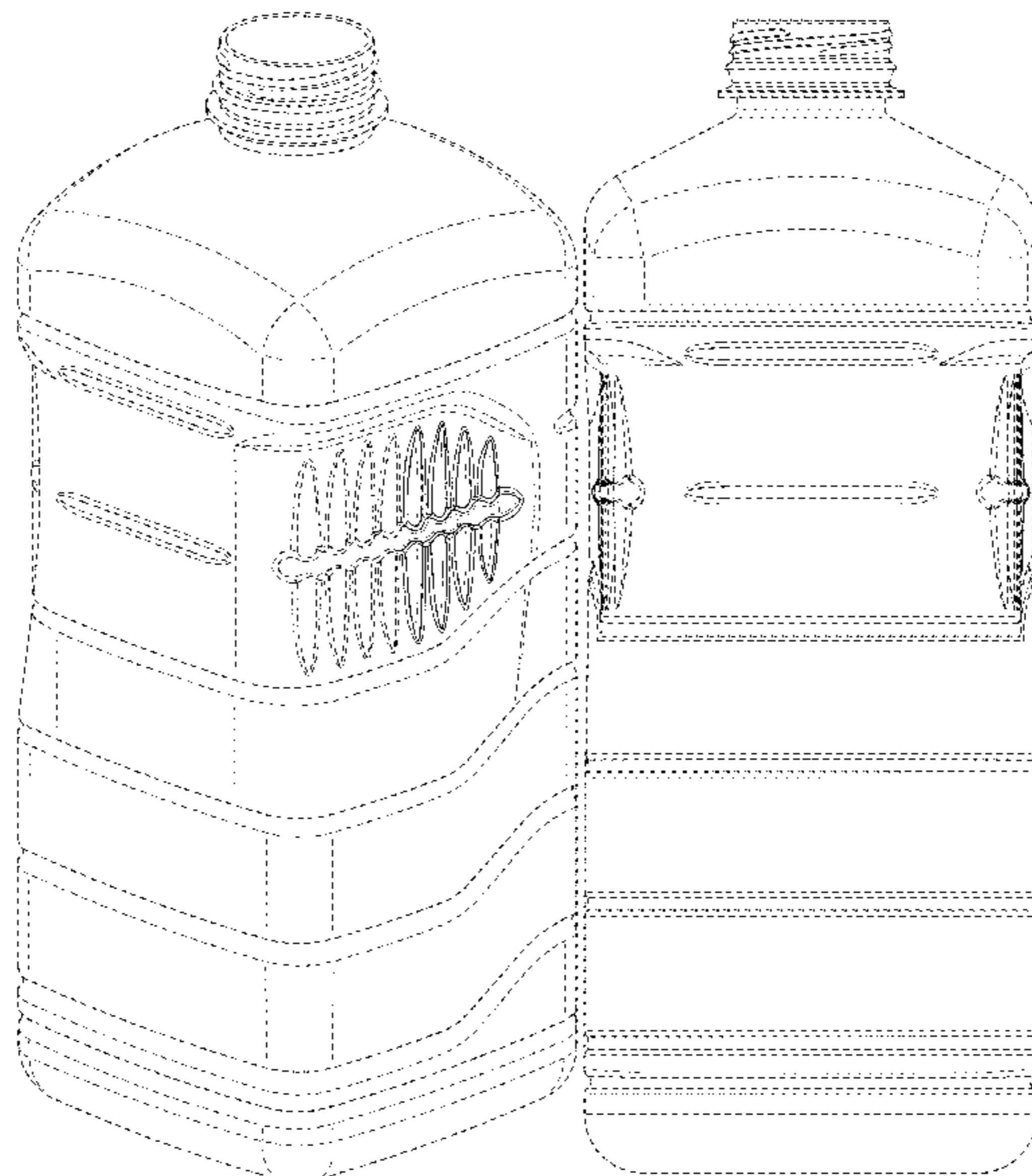
FIG. 5 is a left side elevation view thereof;

FIG. 6 is a top plan view thereof; and,

FIG. 7 is a bottom plan view thereof.

The broken lines are for illustrative purposes only and form no part of the claimed design.

1 Claim, 6 Drawing Sheets



(56)

References Cited

U.S. PATENT DOCUMENTS

D756,231	S *	5/2016	Zweifel	D9/530
D766,724	S *	9/2016	Niggel	D9/528
D769,724	S *	10/2016	Guerin	D9/543
D795,700	S *	8/2017	Guerin	D9/543
D807,187	S *	1/2018	Shaver	D9/543
D817,766	S *	5/2018	Herbst	D9/516
10,279,975	B2 *	5/2019	Soehnen	B65D 1/0223
D874,288	S *	2/2020	Manderfield, Jr.	D9/542
D875,535	S *	2/2020	Schlies	D9/540
2005/0040132	A1 *	2/2005	Saito	B65D 1/0223 215/384
2017/0015466	A1 *	1/2017	Yourist	B65D 23/102

* cited by examiner

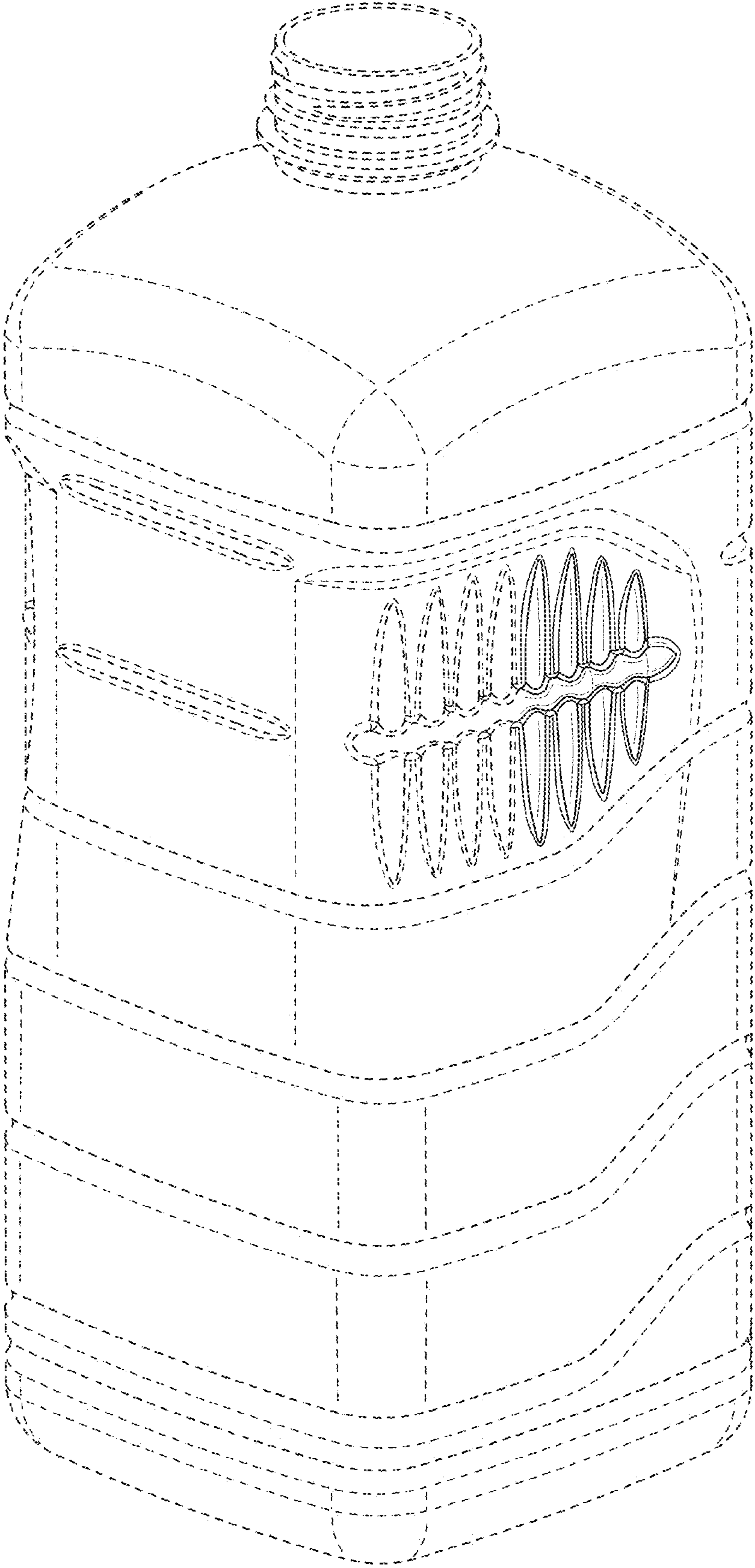


FIG. 1

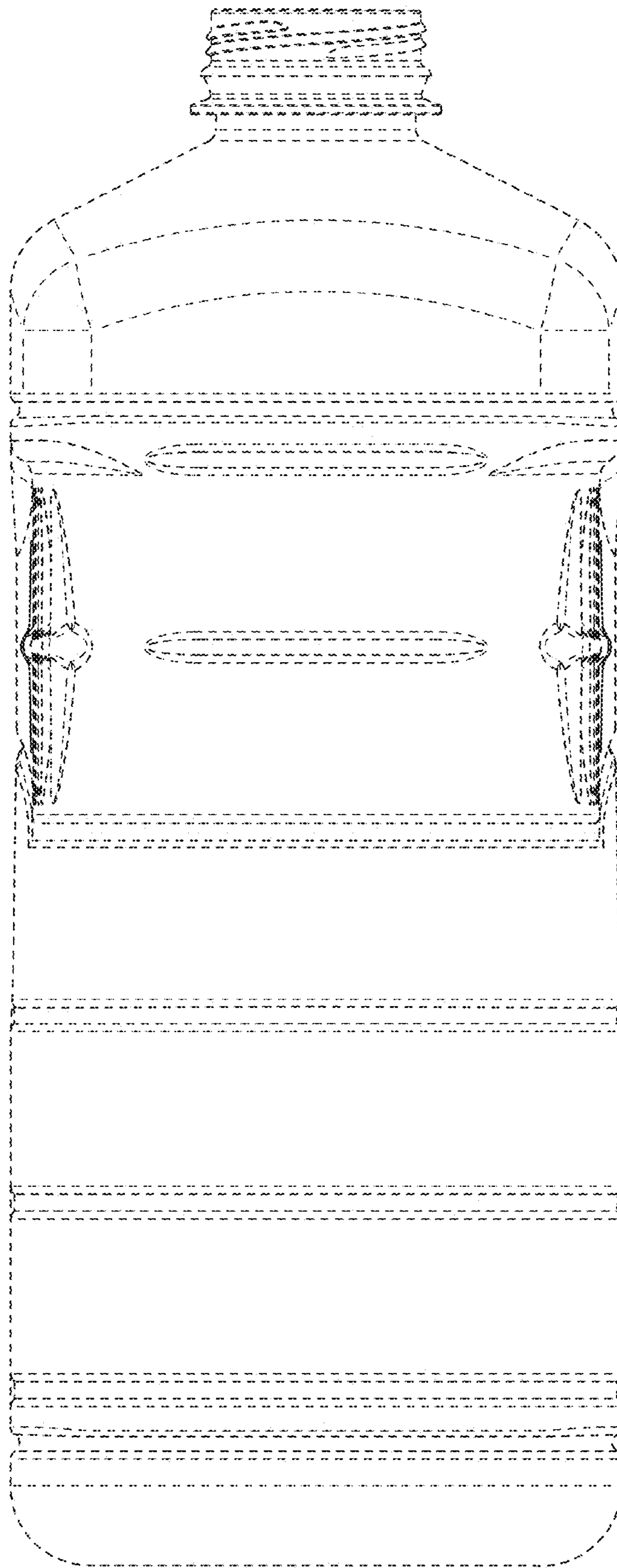


FIG. 2

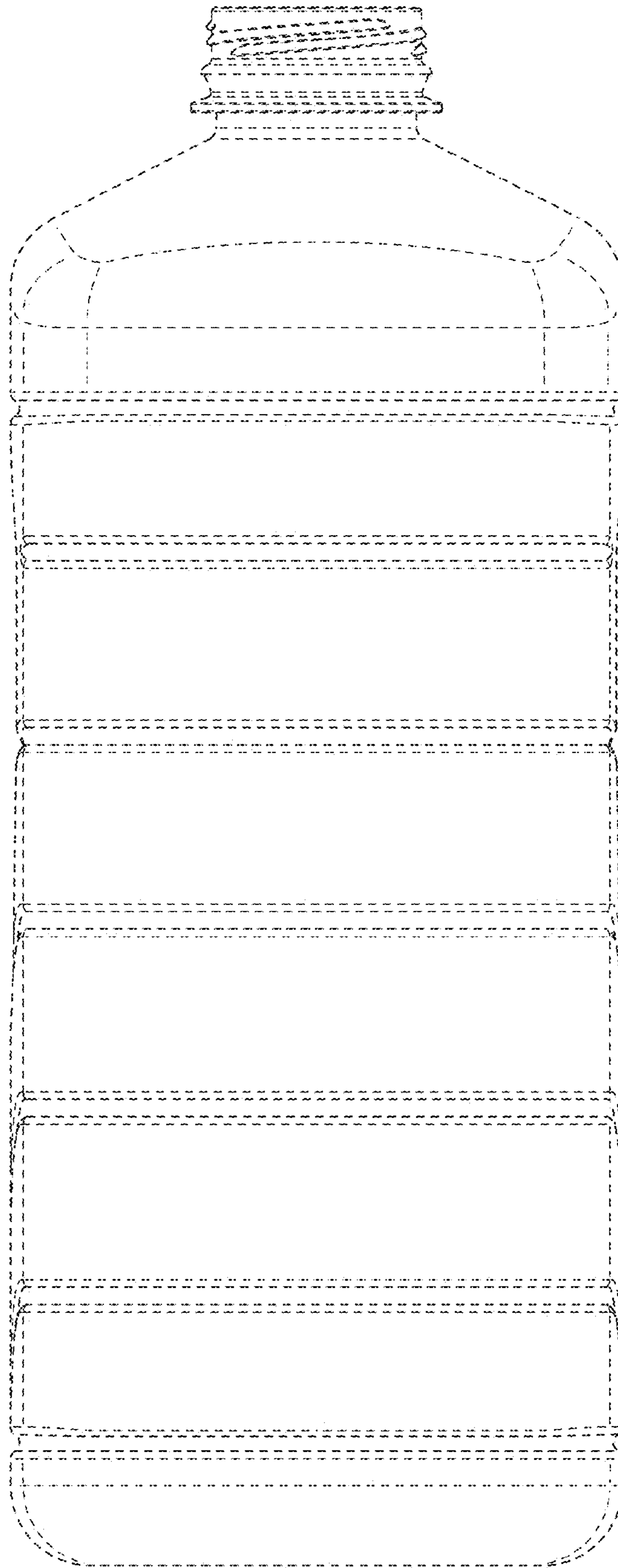


FIG. 3

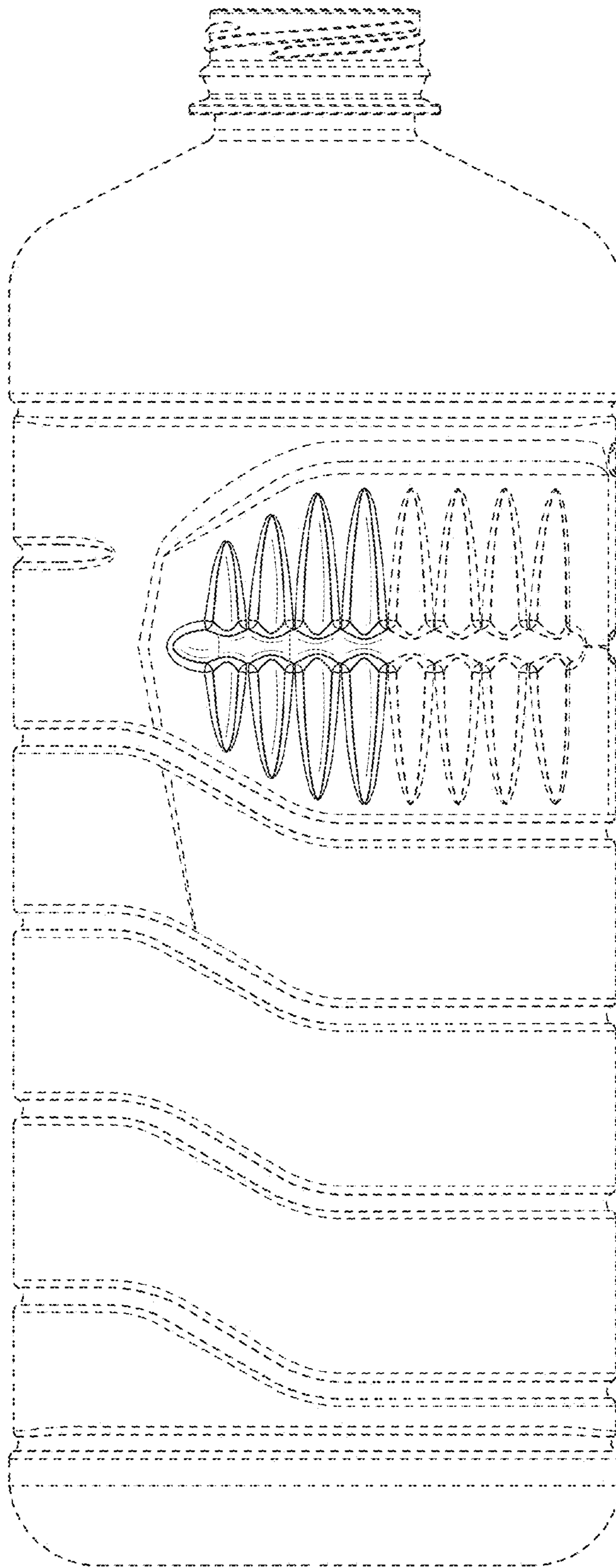


FIG. 4

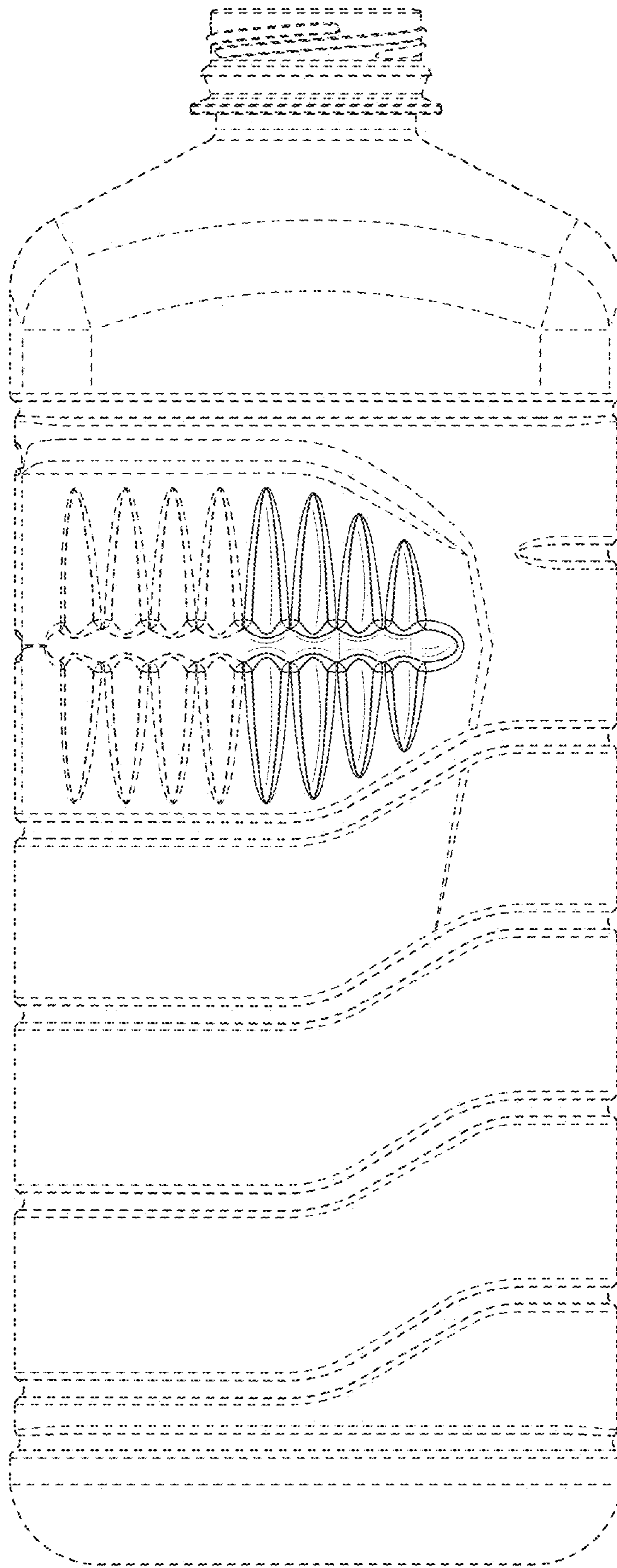


FIG. 5

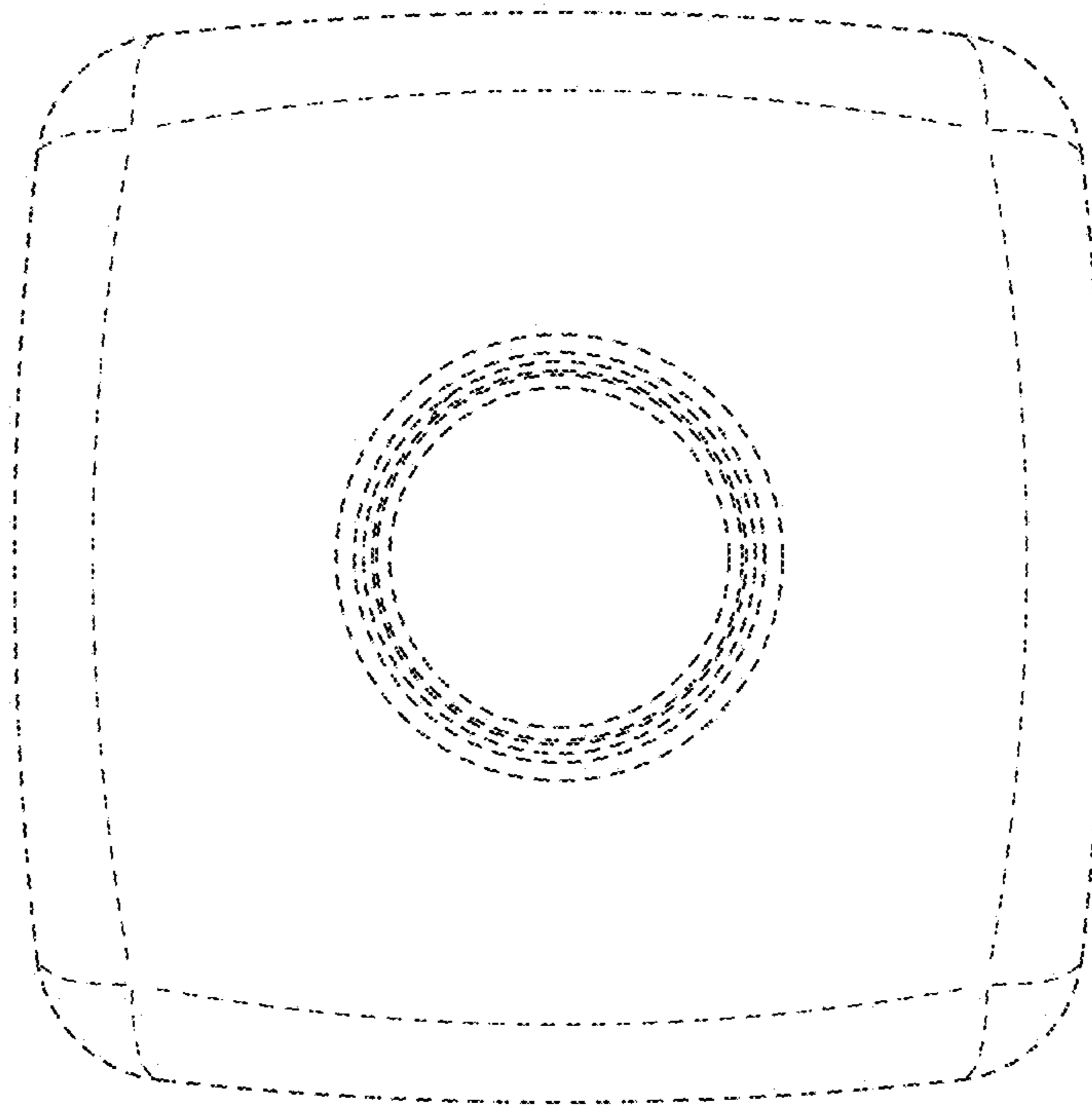


FIG. 6

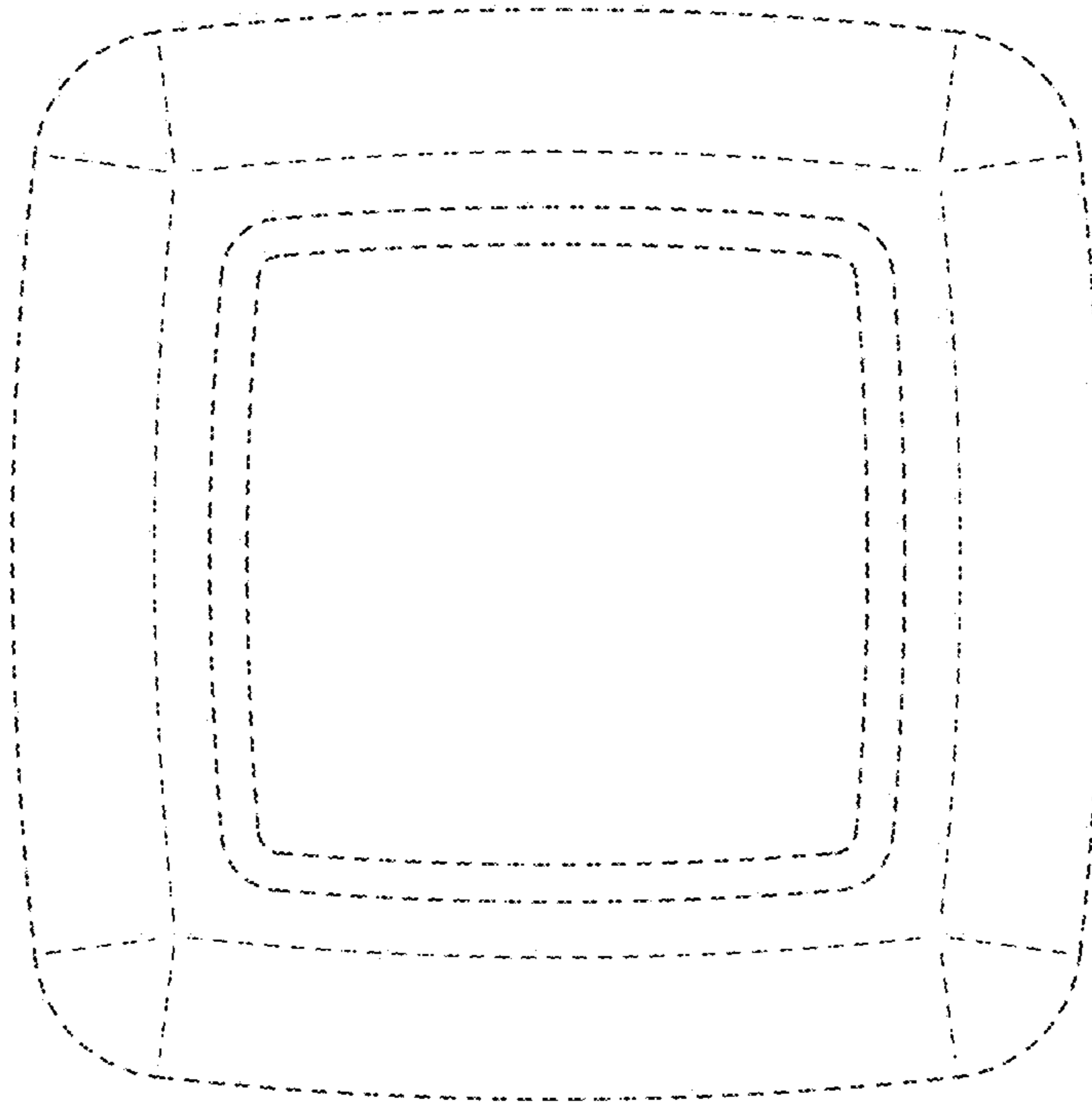


FIG. 7