



US00D915887S

(12) **United States Design Patent** (10) **Patent No.:** **US D915,887 S**  
**Cartis et al.** (45) **Date of Patent:** **\*\* Apr. 13, 2021**

(54) **BOTTLE**  
(71) Applicant: **PepsiCo, Inc.**, Purchase, NY (US)  
(72) Inventors: **Emilian D. Cartis**, London (GB);  
**William R. Eaton**, Southbury, CT  
(US); **Niklas Gustafsson**, New York,  
NY (US); **Kamal Mahajan**, Tarrytown,  
NY (US); **Charles White**, Parsippany,  
NJ (US)

D506,931 S 7/2005 Delmotte  
D538,658 S \* 3/2007 Horne ..... D9/502  
D545,194 S 6/2007 Goudsblom  
D547,667 S 7/2007 DeMaso et al.  
(Continued)

**FOREIGN PATENT DOCUMENTS**

CN 301830134 2/2012  
CN 302173511 11/2012  
(Continued)

(73) Assignee: **PepsiCo, Inc.**, Purchase, NY (US)

**OTHER PUBLICATIONS**

(\*\*) Term: **15 Years**

Photograph of “Verday Chlorophyll Water” and “Pineapple Fat Water” bottles, believed taken Apr. 17, 2017.  
(Continued)

(21) Appl. No.: **29/739,187**

(22) Filed: **Jun. 23, 2020**

**Related U.S. Application Data**

*Primary Examiner* — Dana Meyrow  
(74) *Attorney, Agent, or Firm* — Sterne, Kessler,  
Goldstein & Fox P.L.L.C.

(63) Continuation of application No. 29/664,761, filed on  
Sep. 27, 2018, now Pat. No. Des. 889,264, which is  
a continuation of application No. 29/601,442, filed on  
Apr. 21, 2017, now Pat. No. Des. 829,556.

(57) **CLAIM**

The ornamental design for a bottle, as shown and described.

(51) **LOC (13) Cl.** ..... **09-01**

(52) **U.S. Cl.**  
USPC ..... **D9/502**

**DESCRIPTION**

(58) **Field of Classification Search**  
USPC ..... D9/434, 500, 502–505, 516, 530, 537,  
D9/539, 545, 549, 557–558, 715, 719,  
D9/538; D7/509–511, 523  
CPC ..... B65D 1/00; B65D 1/02; B65D 1/0223;  
B65D 23/00; B65D 81/00; B65D  
2501/00; B65D 2501/0009; B65D  
2501/0018; B65D 2501/0036

FIG. 1 is a top perspective view of a bottle showing the  
claimed design;  
FIG. 2 is a bottom perspective view thereof;  
FIG. 3 is a front view thereof;  
FIG. 4 is a rear view thereof;  
FIG. 5 is a left side view thereof;  
FIG. 6 is a right side view thereof;  
FIG. 7 is a top view thereof; and,  
FIG. 8 is a bottom view thereof.

See application file for complete search history.

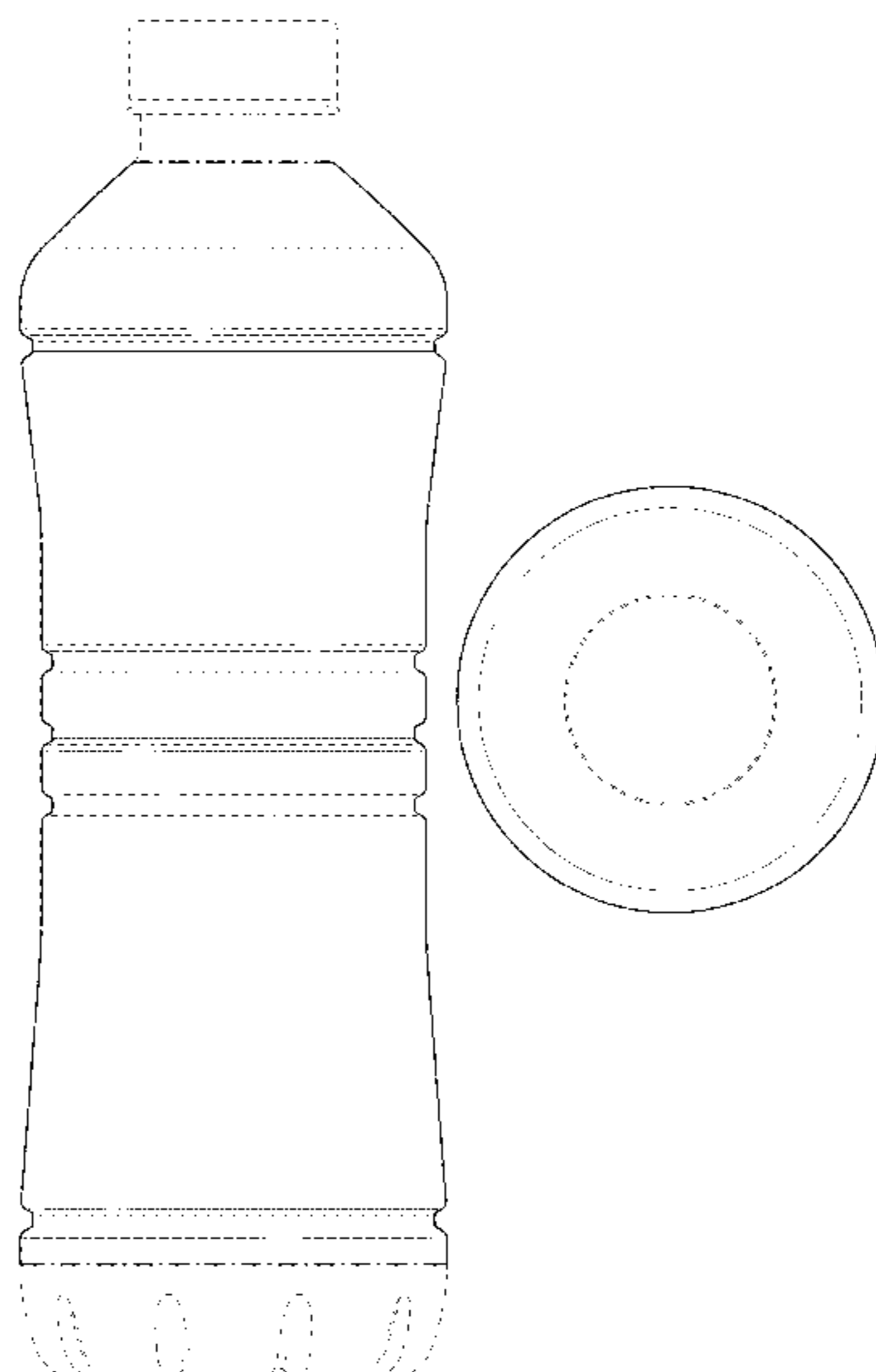
The dashed broken lines in the figures show portions of the  
bottle that form no part of the claimed design.  
The dot-dash broken lines in the figures show boundaries  
that form no part of the claimed design.

(56) **References Cited**

**U.S. PATENT DOCUMENTS**

**1 Claim, 7 Drawing Sheets**

D452,440 S 12/2001 Bezek et al.  
D504,069 S 4/2005 Gross et al.



(56)

References Cited

U.S. PATENT DOCUMENTS

D548,083 S \* 8/2007 Bourne ..... B65D 23/102  
D9/502

D571,214 S 6/2008 Caszatt

D584,947 S 1/2009 Bourne

D590,267 S 4/2009 Oommen et al.

D603,268 S 11/2009 Bourne

D605,518 S 12/2009 Desjardins

D608,203 S 1/2010 Yourist

D608,642 S \* 1/2010 Black ..... D9/500

D611,838 S 3/2010 Metzger et al.

D613,166 S 4/2010 Bentley

D613,167 S 4/2010 Stoffers et al.

D615,403 S 5/2010 Goetz

D621,709 S \* 8/2010 Minakuchi ..... D9/503

D622,605 S 8/2010 Perez et al.

D623,067 S 9/2010 Lovelace, Jr. et al.

D633,793 S 3/2011 Reagan et al.

D635,461 S 4/2011 Inoi et al.

D637,909 S 5/2011 Fleischhacker et al.

D641,244 S 7/2011 Bysick et al.

D642,471 S 8/2011 White et al.

D642,922 S 8/2011 Kuzma et al.

D645,351 S 9/2011 McMillan et al.

D652,732 S 1/2012 Oommen et al.

D652,733 S 1/2012 Oommen et al.

D653,951 S 2/2012 Scott

8,141,741 B2 \* 3/2012 Metzger ..... B65D 43/0212  
220/672

D664,437 S 7/2012 Barel

D664,438 S 7/2012 Barel

D667,306 S 9/2012 Verea

D671,007 S 11/2012 Lovelace, Jr. et al.

D671,413 S 11/2012 Yourist

D682,700 S 5/2013 White et al.

D689,375 S 9/2013 Gamer

D698,656 S 2/2014 Fleischhacker et al.

D699,114 S 2/2014 Fleischhacker et al.

D700,517 S 3/2014 Oommen et al.

D703,048 S 4/2014 Lopez et al.

D703,049 S 4/2014 Riley et al.

D703,538 S 4/2014 Paredes et al.

D709,377 S 7/2014 Kondo

D726,539 S 4/2015 Paredes et al.

D739,758 S 9/2015 Kissinger et al.

D740,663 S 10/2015 Zeboudj

D742,238 S 11/2015 Llewellyn et al.

D744,344 S \* 12/2015 Llewellyn ..... D9/538

D744,345 S \* 12/2015 Llewellyn ..... D9/538

D744,835 S 12/2015 Warner et al.

D744,841 S \* 12/2015 Llewellyn ..... D9/538

D744,843 S \* 12/2015 Llewellyn ..... D9/538

D744,844 S \* 12/2015 Llewellyn ..... D9/538

D746,685 S 1/2016 Foley

D746,686 S 1/2016 Yourist

D746,687 S 1/2016 Yourist

D746,688 S 1/2016 Yourist

D747,209 S 1/2016 Barel

D755,049 S 5/2016 Clark et al.

D755,636 S 5/2016 Hanan

D763,090 S 8/2016 Zeng et al.

D805,902 S 12/2017 Warner et al.

D805,903 S 12/2017 Warner et al.

D829,556 S 10/2018 Cartis et al.

D830,177 S \* 10/2018 Westhofen ..... D9/538

D830,181 S 10/2018 Druart et al.

D874,934 S 2/2020 Yourist

D887,271 S \* 6/2020 Hu ..... D9/500

D888,563 S \* 6/2020 Smith ..... D9/500

D889,264 S \* 7/2020 Cartis ..... D9/500

2010/0006580 A1 \* 1/2010 Boukobza ..... B65D 1/0223  
220/672

2012/0261430 A1 \* 10/2012 Boukobza ..... B65D 1/0223  
220/672

FOREIGN PATENT DOCUMENTS

CN	302854863	6/2014
CN	302907297	8/2014
CN	303017692	12/2014
CN	303393352	9/2015
CN	303450158	11/2015
EM	000144373-0001	6/2004
EM	000144373-0002	6/2004
EM	000181128-0001	8/2004
EM	000181128-0002	8/2004
EM	000181128-0003	8/2004
EM	000283718-0002	3/2005
EM	000283718-0003	3/2005
EM	000526744-0001	6/2006
EM	000526744-0003	6/2006
EM	000526744-0004	6/2006
EM	000546213-0001	7/2006
EM	000546213-0003	7/2006
EM	000554860-0008	8/2006
EM	000479787-0002	3/2007
EM	001038590-0001	11/2008
EM	001595687-0001	8/2009
EM	001999491-0002	3/2012
EM	001999491-0003	3/2012
EM	002430256-0002	3/2014
EM	002430256-0003	3/2014
EM	002430256-0004	3/2014
EM	002430256-0005	3/2014
EM	002473611-0001	7/2014
EM	002614214-0001	1/2015
EM	002614214-0002	1/2015
EM	002614214-0003	1/2015
EM	002614214-0004	1/2015
EM	002614214-0005	1/2015
EM	002639393-0003	2/2015
EM	002696179-0001	5/2015
EM	002731307-0001	9/2015
EM	003474832-0001	11/2016
EM	003728575-0001	2/2017
EM	003771898-0001	3/2017
EM	003792803-0001	3/2017
JP	D1487454	1/2014
WO	WO D071995-001	7/2009

OTHER PUBLICATIONS

Digital Image of ViO BiO LiMO Bottle, believed available on May 24, 2017.

“Braklanserer Farris & Juice,” FastFood, believed available on May 24, 2017.

“Fairlife Core Power High Protein Milk Shake,” announced Mar. 2012, [online], site visited Apr. 26, 2018. Available from Internet, URL: <http://www.amazon.com> (Year: 2012).

\* cited by examiner

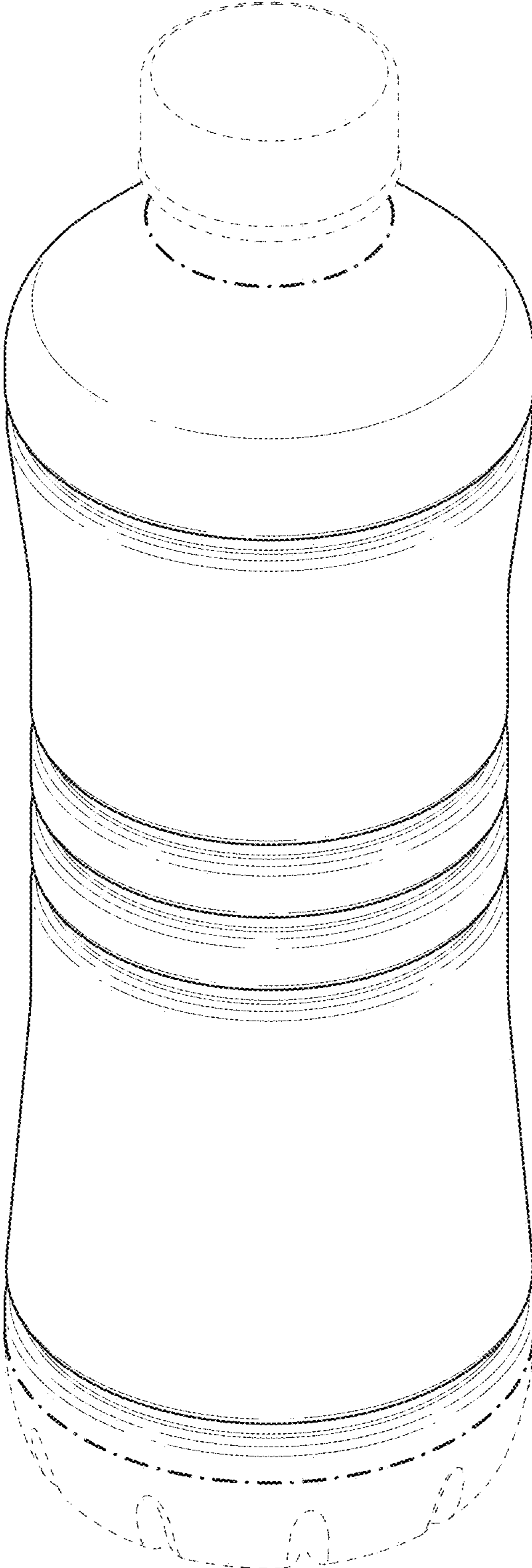
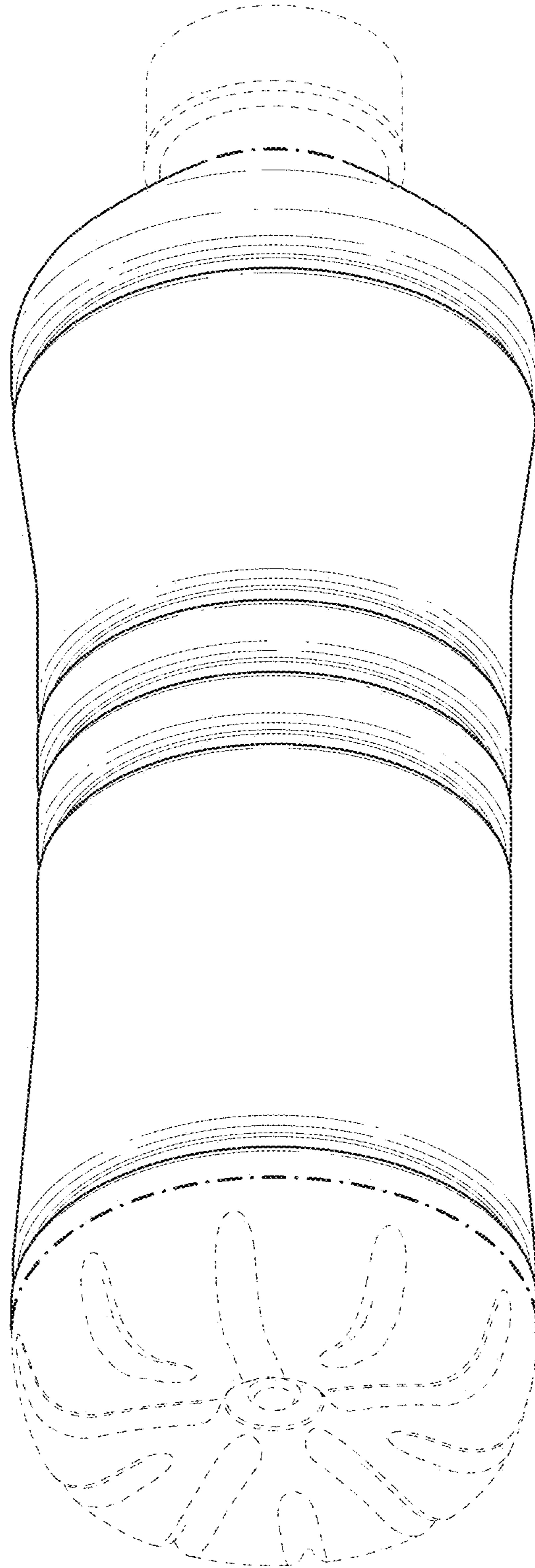
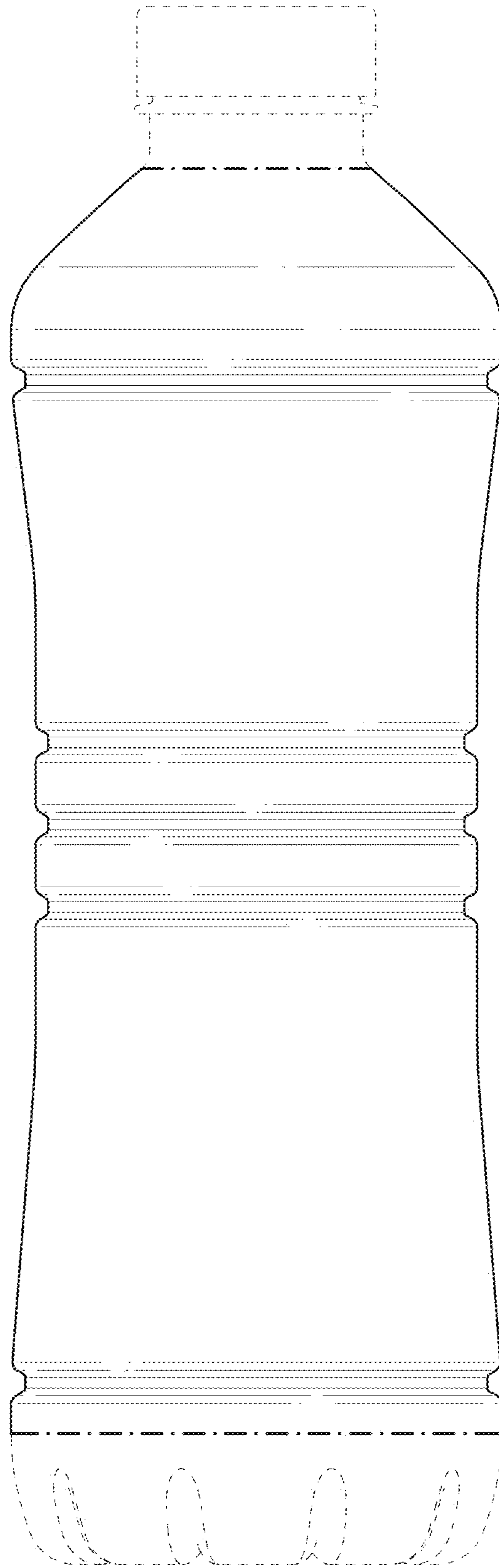


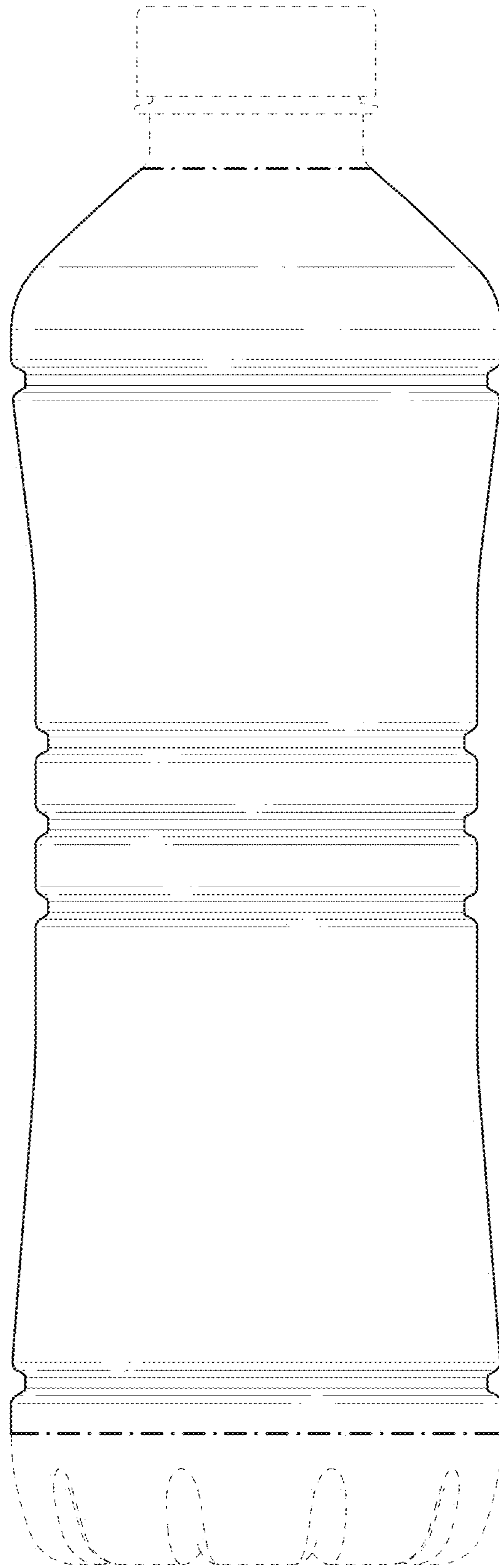
FIG. 1



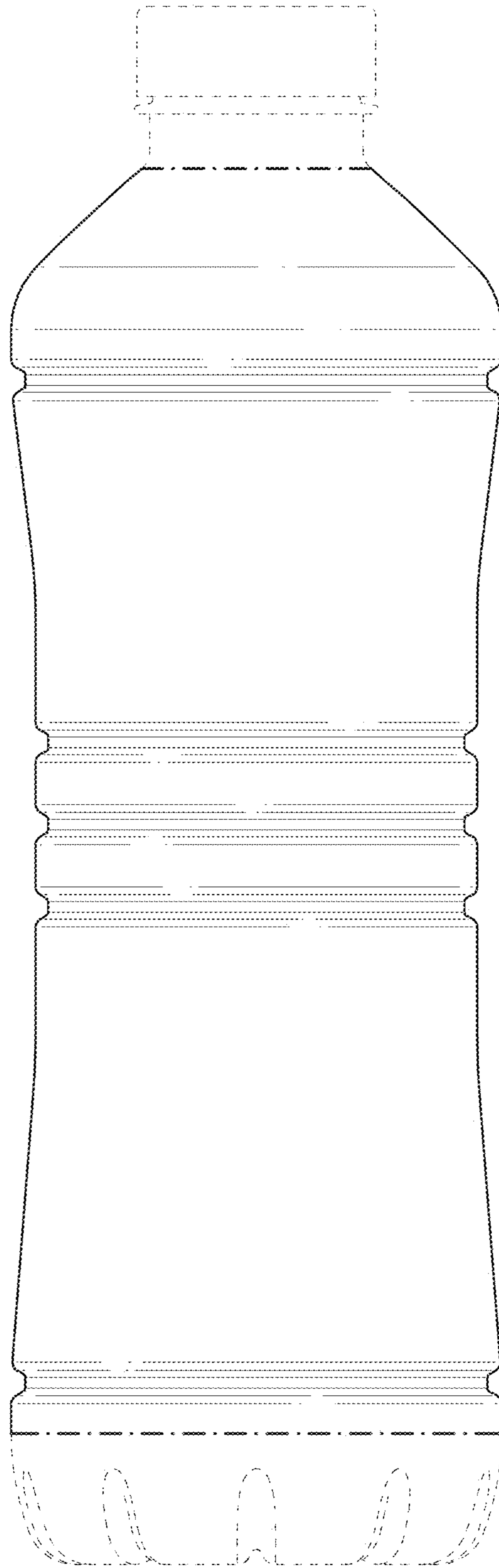
**FIG. 2**



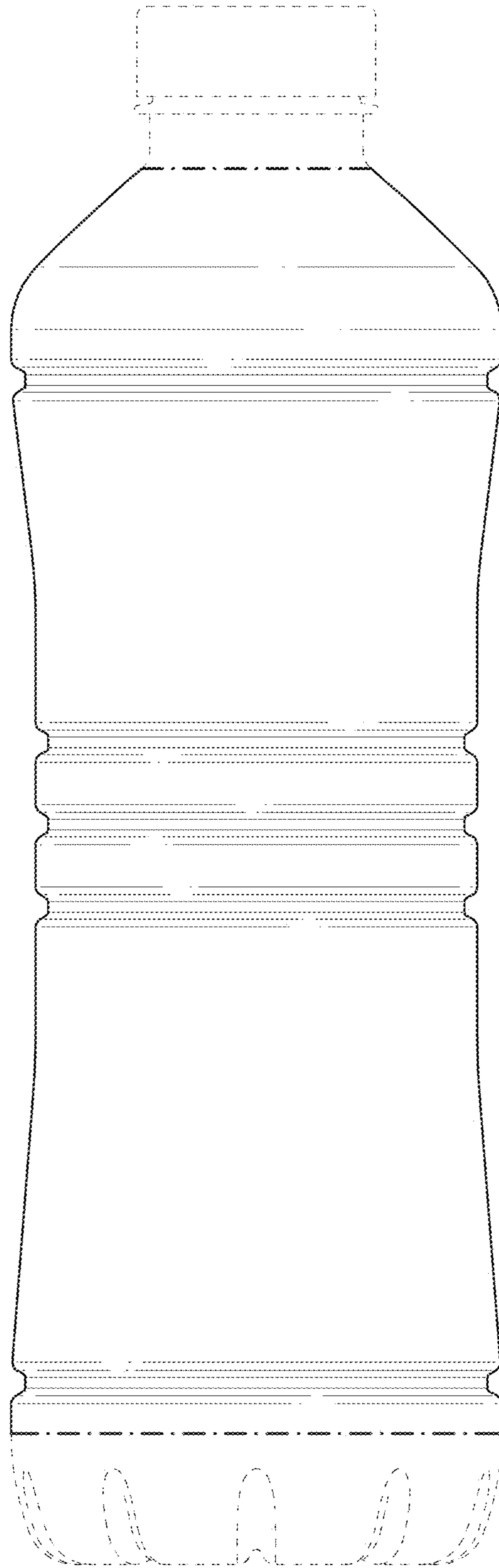
**FIG. 3**



**FIG. 4**

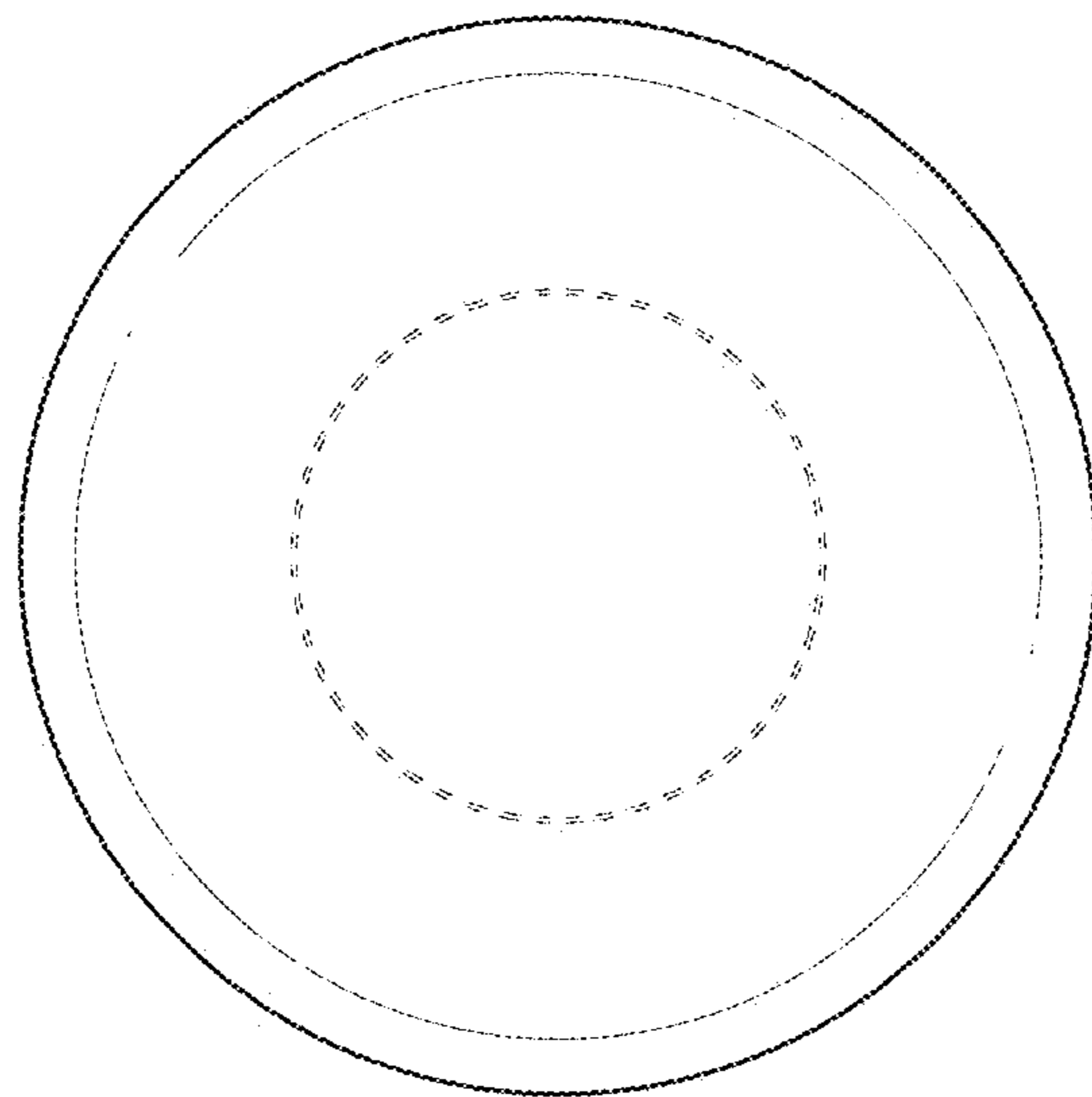


**FIG. 5**

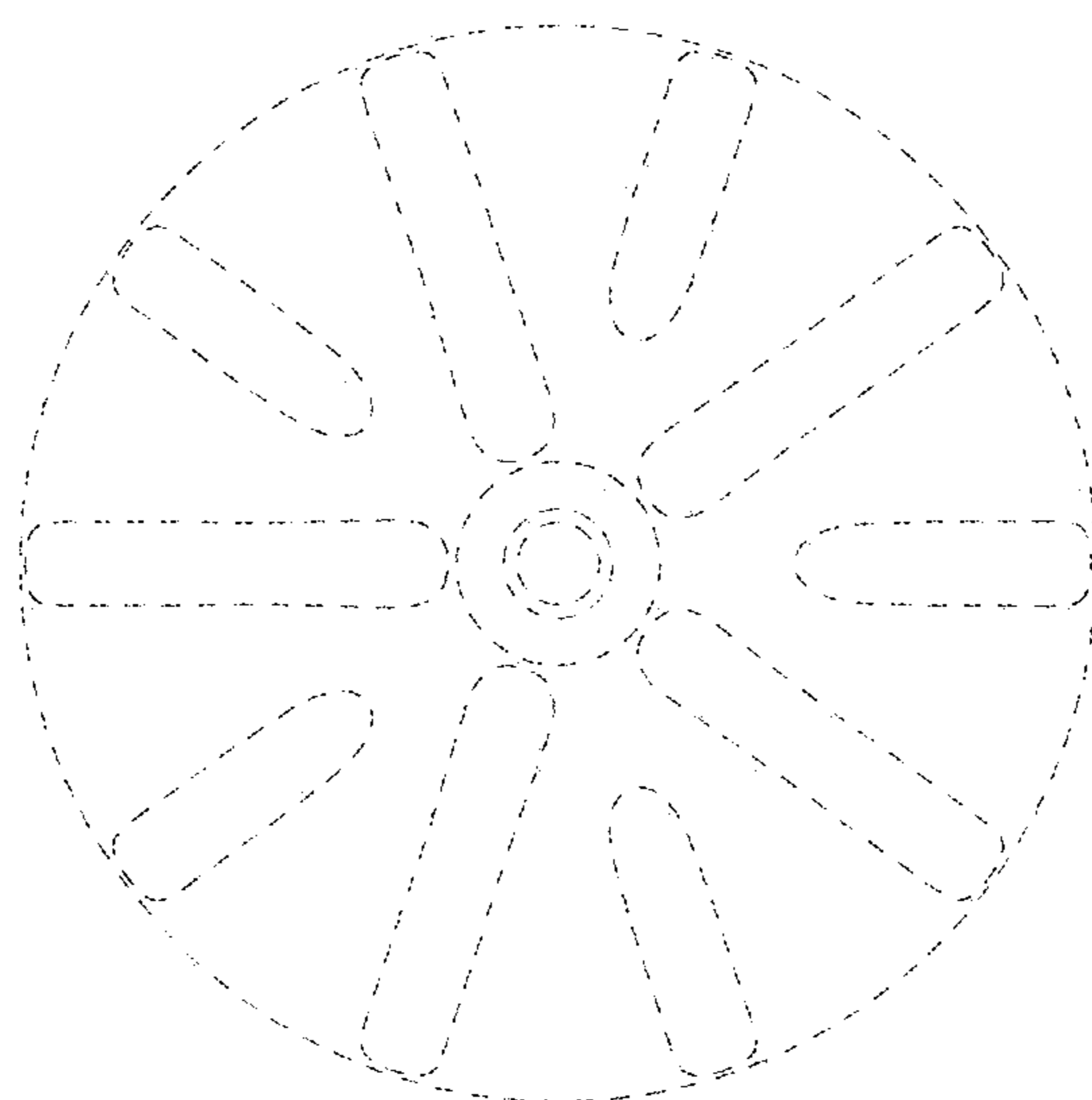


**FIG. 6**





**FIG. 7**



**FIG. 8**