



US00D915886S

(12) **United States Design Patent** (10) **Patent No.:** **US D915,886 S**
Chen et al. (45) **Date of Patent:** **** Apr. 13, 2021**

(54) **STAND**

- (71) Applicant: **Tiff's Treats Holdings, Inc.**, Austin, TX (US)
- (72) Inventors: **Leon Chen**, Austin, TX (US); **Paul Metaxatos**, Swampscott, MA (US); **Joel Nevin**, Portsmouth, NH (US)
- (73) Assignee: **Tiff's Treats Holdings, Inc.**, Austin, TX (US)
- (**) Term: **15 Years**
- (21) Appl. No.: **29/606,513**
- (22) Filed: **Jun. 5, 2017**

Related U.S. Application Data

- (63) Continuation of application No. 29/520,444, filed on Mar. 13, 2015, now Pat. No. Des. 788,584.
- (51) **LOC (13) Cl.** **09-07**
- (52) **U.S. Cl.**
USPC **D9/456; D7/558; D9/434; D9/455**
- (58) **Field of Classification Search**
USPC D9/414, 415, 432, 434, 435, 443-453, D9/455-457, 499, 503, 504, 682, 685, D9/686; D7/387, 391, 392, 392.1, 394, D7/396.1-396.4, 506, 507, 509-511, 538, D7/900, 500, 501, 550.1, 552.1, 552.2, D7/554.2, 558; D3/202, 203.2, 294, 318; D28/91, 91.1; D6/349, 677, 692.3; D8/300, 310, 343, 346, 352, 382, 397, D8/399, 349
CPC .. A61J 1/00; A61J 1/1412; B65D 1/00; B65D 1/02; B65D 1/10; B65D 1/46; B65D 5/46; B65D 41/00; B65D 41/38; B65D 41/56; B65D 41/62; B65D 47/00; B65D 47/06; B65D 47/08; B65D 2251/00; B65D 2543/00046; B65D 2543/00092; B65D

(Continued)

(56) **References Cited**

U.S. PATENT DOCUMENTS

- 115,456 A 5/1871 Fisher
 - 135,696 A 2/1873 Dakin
 - 197,931 A 12/1877 Haight
- (Continued)

FOREIGN PATENT DOCUMENTS

- CA 160563 * 9/2015
- GB 2104817 * 10/2001

OTHER PUBLICATIONS

Tiff's Treats photos on Facebook page (online) posted on Sep. 18, 2018. Retrieved from Internet on Mar. 5, 2020, URL: <https://www.facebook.com/tiffstreats/posts/we-have-done-it-we-have-taken-our-legendary-warm-cookie-delivery-in-our-tiffs-tr/10155898006702684/> (3 pages).*

(Continued)

Primary Examiner — Wendy L Arminio

(74) *Attorney, Agent, or Firm* — Norton Rose Fulbright US LLP

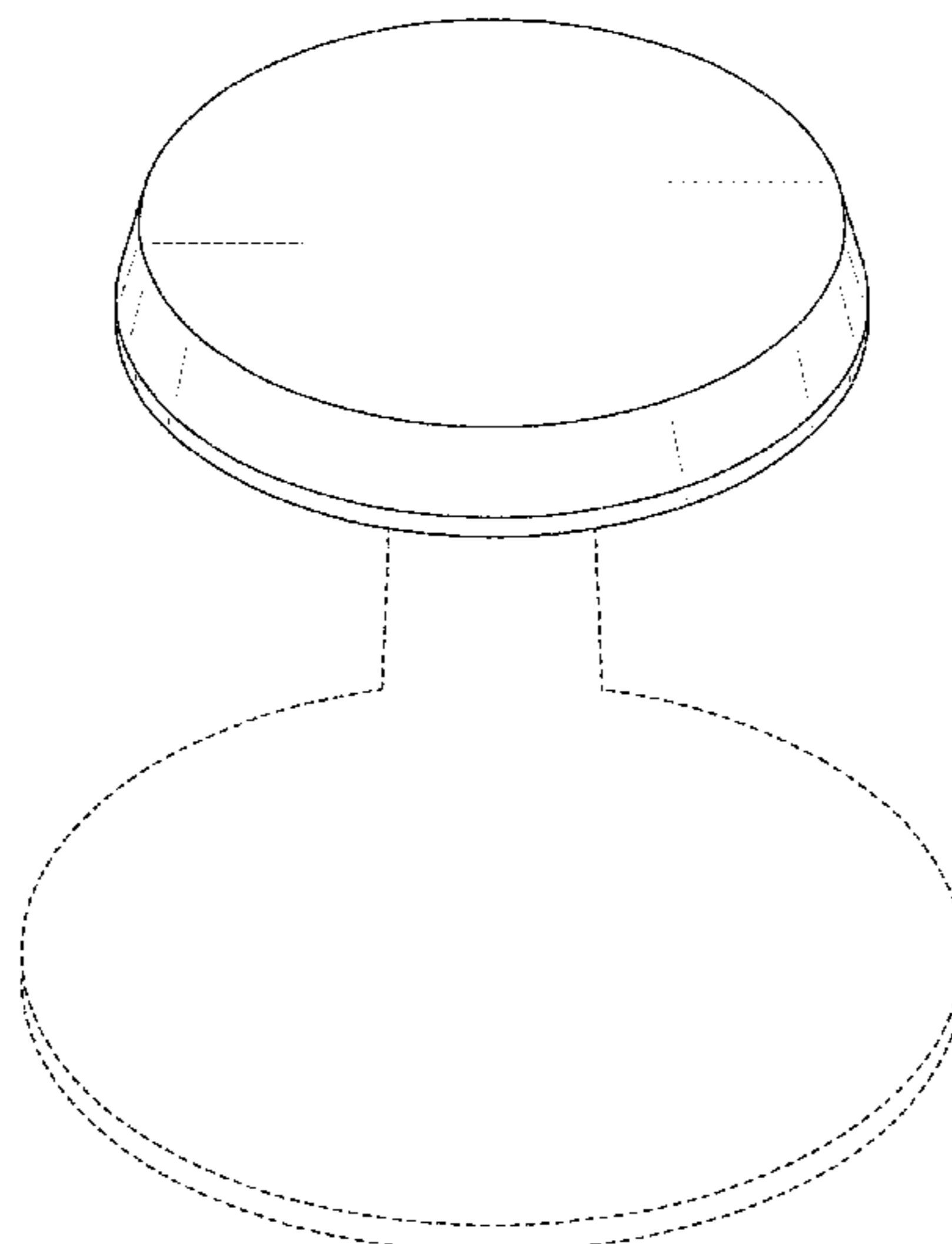
(57) **CLAIM**

The ornamental design for a stand, as shown and described.

DESCRIPTION

FIG. 1 is a top perspective view of a stand showing our new design;
 FIG. 2 is a front view thereof, the right and left sides thereof being identical due to the symmetry of the design about its vertical axis; and,
 FIG. 3 is a top view thereof.
 The stand is intended to be placed on a tray and used as a support for the tray cover and possibly one or more stacked trays, for items such as edible items.
 The broken lines depict portions of the stand that form no part of the claimed design.

1 Claim, 3 Drawing Sheets



(58) **Field of Classification Search**
 CPC 2543/00296; B65D 2585/56; B65D
 2585/545
 See application file for complete search history.

(56) **References Cited**

U.S. PATENT DOCUMENTS

315,310 A * 4/1885 Matthews A63F 3/00895
 273/287
 500,839 A 7/1893 Anthony
 938,242 A 10/1909 Johnston
 1,047,882 A 12/1912 Beach
 D47,966 S 10/1915 Reischmann
 1,235,689 A 8/1917 Hoag
 1,360,856 A * 11/1920 Zander A47F 5/025
 108/20
 1,395,419 A * 11/1921 Hutchins A47F 5/04
 108/150
 1,401,057 A 12/1921 Elliott
 1,415,782 A * 5/1922 Brace A47F 5/04
 108/150
 1,484,887 A * 2/1924 Hyatt G09F 3/00
 40/625
 1,570,651 A 1/1926 Topping et al.
 1,782,257 A * 11/1930 Dumler A47F 5/025
 108/20
 D86,535 S * 3/1932 Novick D6/677
 1,955,919 A 4/1934 Kress
 D159,360 S * 7/1950 Noble D20/10
 2,560,659 A * 7/1951 Payeur A47B 11/00
 D6/692.3
 2,689,050 A 9/1954 Albin
 2,895,636 A * 7/1959 Martin A47G 19/2288
 D7/511
 2,902,174 A 9/1959 Audsley
 D194,325 S 1/1963 Swett
 D197,981 S 4/1964 Miller
 D199,162 S * 9/1964 Russo D6/677
 3,146,906 A 9/1964 Swett
 D199,507 S * 11/1964 Linko D3/302
 D200,117 S 1/1965 Kolarik
 3,169,496 A 2/1965 Muggli et al.
 3,373,909 A * 3/1968 Belcher B65D 47/046
 222/531
 D212,843 S * 12/1968 Hart et al. D9/452
 D219,490 S * 12/1970 Plessinger D6/692.3
 D222,082 S * 9/1971 Kleinert D6/692.3
 D225,283 S * 11/1972 Axelrod D6/677
 3,715,996 A * 2/1973 Rolfshus A47B 3/10
 D6/692.3
 D229,589 S * 12/1973 Gregorutti D6/686
 3,955,710 A * 5/1976 Commisso B65D 43/0212
 D7/392.1
 D240,343 S 6/1976 Moore, Jr.

D246,022 S 10/1977 Mathur
 D251,827 S * 5/1979 Commisso D9/435
 D271,945 S * 12/1983 Ochs D9/452
 D272,212 S 1/1984 Daenen et al.
 D272,215 S 1/1984 Daenen et al.
 D283,856 S 5/1986 Elmaleh
 D296,738 S * 7/1988 Hubert D6/692.3
 D308,611 S * 6/1990 Hubert D6/692.1
 D337,920 S * 8/1993 Rowe D7/507
 D342,843 S * 1/1994 Kuntz D6/677
 D347,381 S * 5/1994 Carruthers D8/382
 D347,382 S * 5/1994 Carruthers D8/382
 D347,383 S * 5/1994 Carruthers D8/382
 D347,786 S * 6/1994 Carruthers D8/382
 D354,862 S 1/1995 Goldberg
 D433,597 S * 11/2000 Fradkin D7/392.1
 D436,270 S 1/2001 Kane
 D438,175 S * 2/2001 Stark D13/152
 D441,258 S 5/2001 Spiegelman
 D448,964 S * 10/2001 Allan D7/500
 D451,338 S * 12/2001 Fradkin D7/392.1
 D469,016 S * 1/2003 Gambino D9/434
 6,711,989 B1 * 3/2004 Sarnoff A47J 36/022
 D7/354
 D496,181 S * 9/2004 Maness D6/692.3
 D560,974 S 2/2008 Goode et al.
 D577,962 S 10/2008 Bauer et al.
 D618,500 S * 6/2010 Hardaway D7/505
 D623,506 S * 9/2010 Ghatikar D8/382
 D623,696 S * 9/2010 Zemel D20/28
 D636,637 S * 4/2011 Lupkes D7/558
 D647,713 S 11/2011 Unterrainer et al.
 D648,960 S * 11/2011 Starck D6/692.3
 D664,010 S 7/2012 Goode et al.
 D668,464 S 10/2012 Du
 8,276,524 B2 10/2012 Goode et al.
 D671,368 S 11/2012 Stewart et al.
 D683,975 S 6/2013 Starck
 D707,493 S 6/2014 Frei
 D717,651 S * 11/2014 Marina D9/454
 D720,143 S * 12/2014 Barber D6/349
 D769,120 S * 10/2016 Albuquerque D9/454
 D850,859 S * 6/2019 Chen D7/558
 D857,280 S * 8/2019 Starck D26/93
 2008/0230541 A1 * 9/2008 Bayss B65D 43/0202
 220/200
 2008/0276514 A1 * 11/2008 Lee G09F 19/00
 40/661.04

OTHER PUBLICATIONS

Printout showing pedestal tables, retrieved from archive.org with an
 apparent capture date of Feb. 17, 2014—<http://web.archive.org/web/20140217160941/http://www.knoll.com/designer/Eero-Saarin>.

* cited by examiner

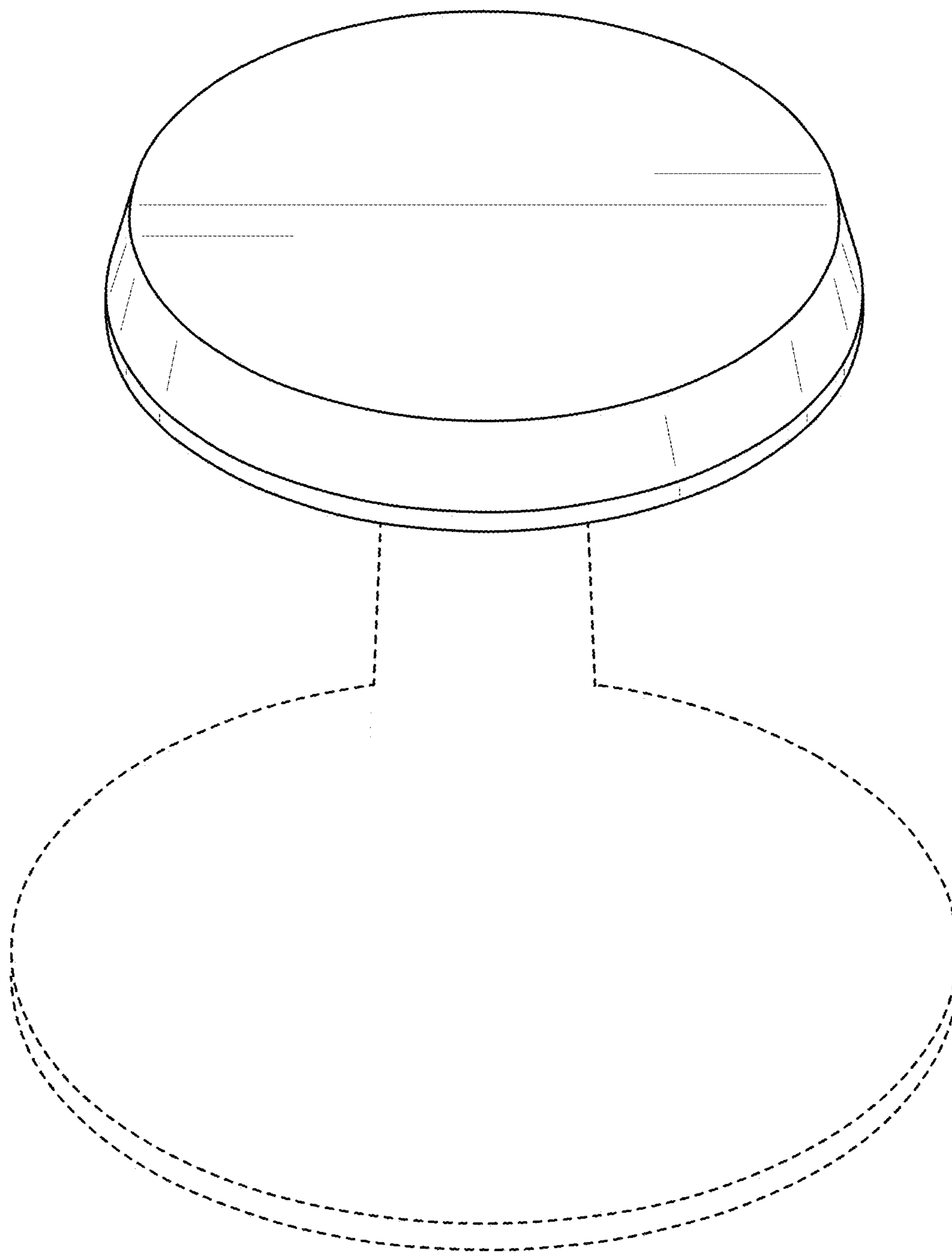


FIG. 1

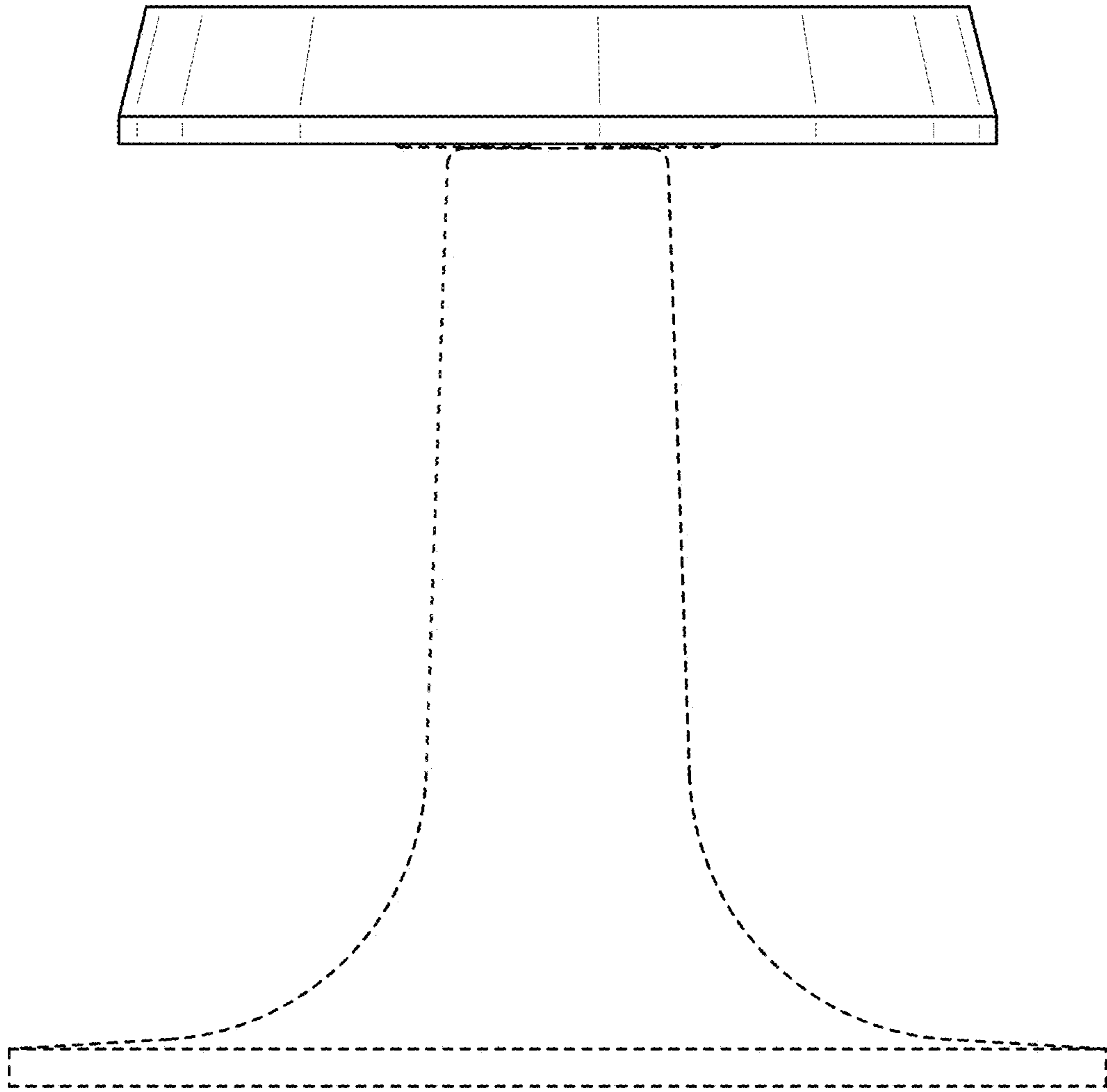


FIG. 2

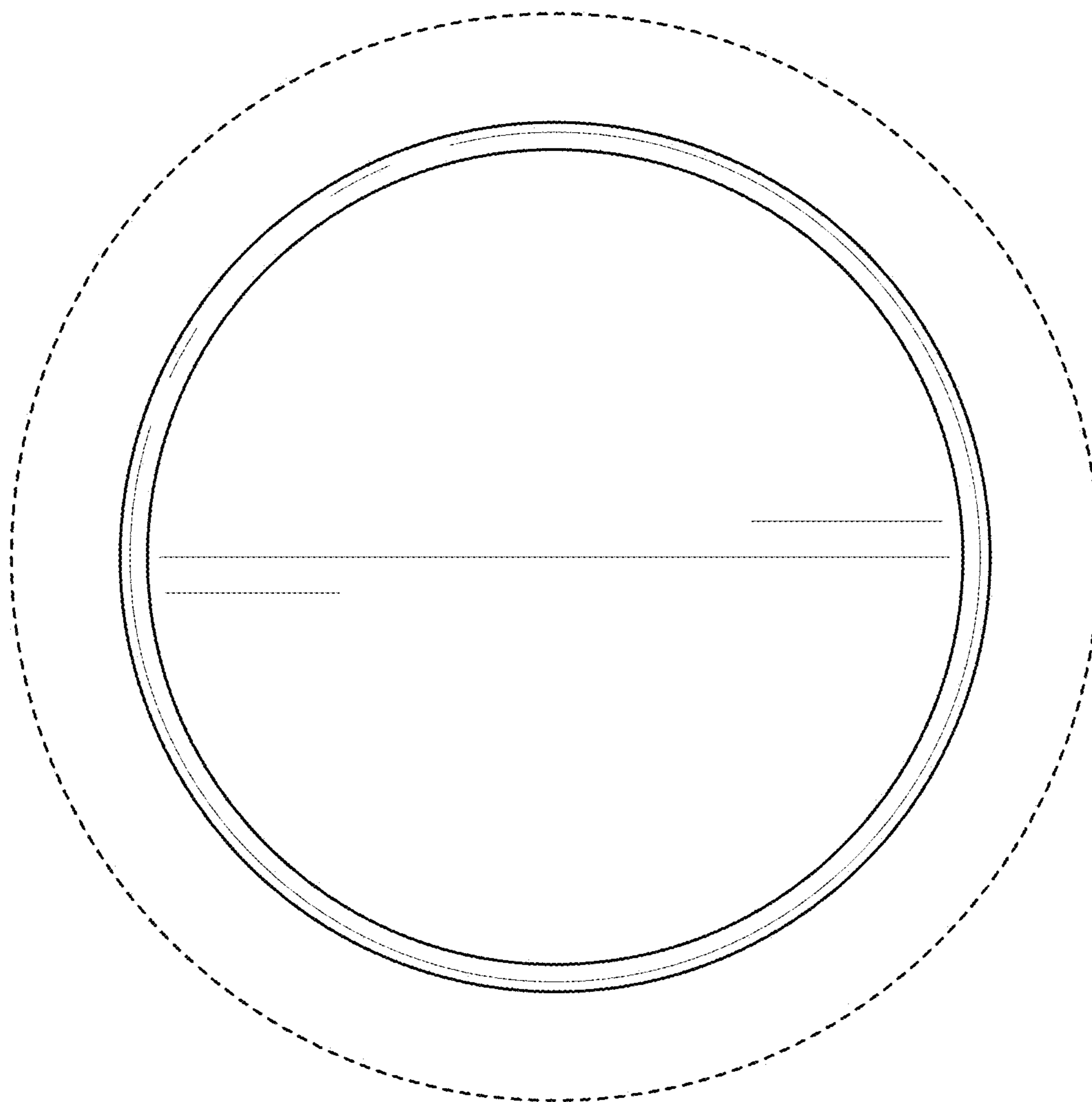


FIG. 3