



US00D915885S

(12) **United States Design Patent** (10) **Patent No.:** **US D915,885 S**
Costle et al. (45) **Date of Patent:** **** Apr. 13, 2021**

(54) **AEROSOL DISPENSING CAP** 4,684,032 A * 8/1987 Tsay A47J 41/0027
215/12.1
(71) Applicant: **ILLINOIS TOOL WORKS INC.,** 4,941,600 A * 7/1990 Berriochoa B65D 83/205
Glenview, IL (US) 222/402.13
5,130,020 A * 7/1992 Meckstroth C02F 1/003
206/216
(72) Inventors: **Carey Christopher Costle**, Tucson, AZ 5,305,784 A * 4/1994 Carter B60C 29/064
(US); **Stephen Edward Richey**, 137/223
Atascadero, CA (US); **Brendan**
Sangster, San Luis Obispo, CA (US) 5,611,466 A * 3/1997 Hsiao B65D 83/303
222/402.13

(73) Assignee: **ILLINOIS TOOL WORKS INC.,**
Glenview, IL (US)
(**) Term: **15 Years**

(21) Appl. No.: **29/684,318**
(22) Filed: **Mar. 20, 2019**

(51) **LOC (13) Cl.** **09-07**
(52) **U.S. Cl.**
USPC **D9/448**

(58) **Field of Classification Search**
USPC D9/414, 415, 432, 434, 435, 443-453,
D9/455-457, 499, 503, 504, 682, 685,
D9/686; D7/387, 391, 392, 392.1, 394,
D7/396.1-396.4, 506, 507, 509-511, 538,
D7/900; D3/202, 203.2, 294, 318;
D28/91, 91.1; D23/266
CPC .. A61J 1/00; A61J 1/1412; B65D 1/00; B65D
1/02; B65D 1/10; B65D 1/46; B65D
5/46; B65D 41/00; B65D 41/38; B65D
41/56; B65D 41/62; B65D 47/00; B65D
47/06; B65D 47/08; B65D 2251/00;
B65D 2543/00046; B65D 2543/00092;
B65D 2543/00296; B65D 2585/56; B65D
2585/545
See application file for complete search history.

(56) **References Cited**
U.S. PATENT DOCUMENTS
3,260,416 A * 7/1966 Abplanalp B65D 83/205
222/402.13
3,851,803 A * 12/1974 Grothoff B65D 83/40
222/182

(Continued)
Primary Examiner — Wendy L Arminio
(74) *Attorney, Agent, or Firm* — Pauley Erickson &
Swanson

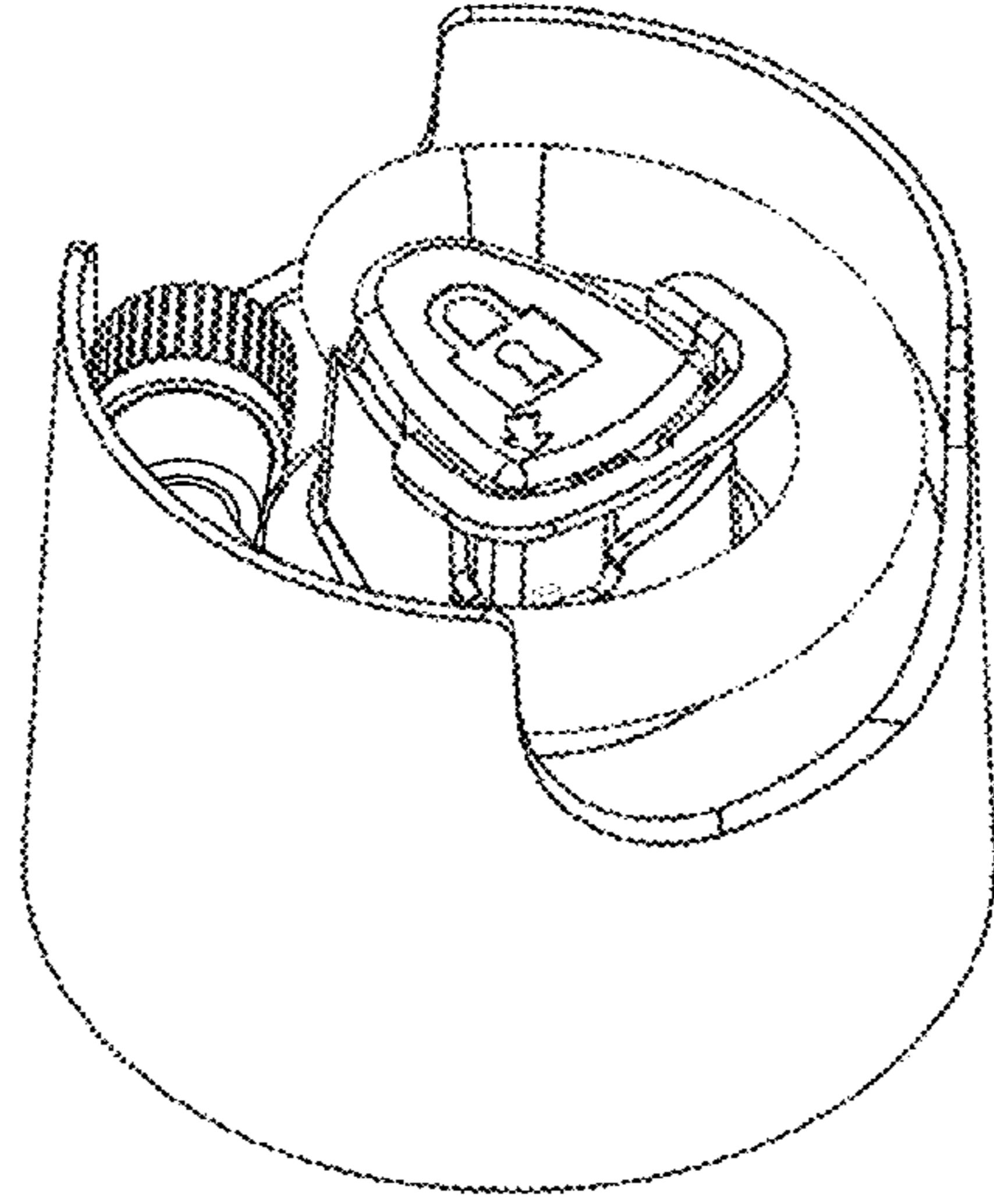
(57) **CLAIM**

The ornamental design for an aerosol dispensing cap, as shown and described.

DESCRIPTION

FIG. 1 is a rear perspective view of the aerosol dispensing cap, according to the invention;
FIG. 2 is a front perspective view of the aerosol dispensing cap shown in FIG. 1;
FIG. 3 is a rear view of the aerosol dispensing cap shown in FIG. 1;
FIG. 4 is a front view of the aerosol dispensing cap shown in FIG. 1;
FIG. 5 is a side view of the aerosol dispensing cap shown in FIG. 1;
FIG. 6 is a top view of the aerosol dispensing cap shown in FIG. 1; and,
FIG. 7 is a bottom view of the aerosol dispensing cap shown in FIG. 1.
The broken lines depict portions of the aerosol dispensing cap that form no part of the claimed design.

1 Claim, 7 Drawing Sheets



(56)

References Cited

U.S. PATENT DOCUMENTS

5,649,645	A *	7/1997	Demarest	B65D 83/205	7,757,905	B2	7/2010	Strand et al.
					222/153.07	7,854,242	B2	12/2010	Stehle
5,765,601	A *	6/1998	Wells	B29C 73/163	8,087,552	B2	1/2012	Fazekas et al.
					137/223	8,100,298	B2	1/2012	Marquardt et al.
D407,018	S *	3/1999	Soller	D9/448	8,127,968	B2	3/2012	Yerby et al.
6,260,739	B1	7/2001	Hsiao			8,205,645	B2	6/2012	Dowel
6,382,469	B1	5/2002	Carter et al.			8,360,119	B2	1/2013	Huang et al.
D474,403	S *	5/2003	Fahy	D9/448	8,453,684	B2	6/2013	Lolli
D478,272	S *	8/2003	Carter	D9/688	8,517,227	B2	8/2013	Strand et al.
D478,274	S *	8/2003	Carter	D9/688	8,627,857	B2	1/2014	Chou
D483,262	S *	12/2003	Carter	D9/444	8,640,745	B2	2/2014	Ji
6,708,849	B1 *	3/2004	Carter	B65D 83/20	9,050,866	B2	6/2015	Hong
					222/153.1	9,193,229	B2	11/2015	Hong
D488,379	S *	4/2004	Healy	D9/448	9,227,600	B2	1/2016	Chen
6,938,651	B1 *	9/2005	Carter	B60H 1/00585	9,242,416	B1	1/2016	Ohm et al.
					141/383	9,457,367	B2	10/2016	Wang
6,994,275	B2 *	2/2006	Hsiao	B65D 83/303	9,492,976	B2	11/2016	Hong
					239/302	D784,131	S *	4/2017	Jacobs
7,028,720	B2	4/2006	Eckhardt			D833,277	S *	11/2018	Kuntzelman
7,487,891	B2	2/2009	Yerby et al.			10,150,266	B2 *	12/2018	Marini
D607,029	S *	12/2009	Stehle	D15/199	2003/0052195	A1 *	3/2003	Aberegg
D613,830	S *	4/2010	Mannoia	D23/266				B65D 83/203
7,694,698	B2	4/2010	Marini			2013/0075429	A1 *	3/2013	Houser
									B65D 83/206
									222/153.11
						2018/0037400	A1 *	2/2018	Kuntzelman
						2018/0229456	A1	8/2018	Costle et al.
									B29C 73/025

* cited by examiner

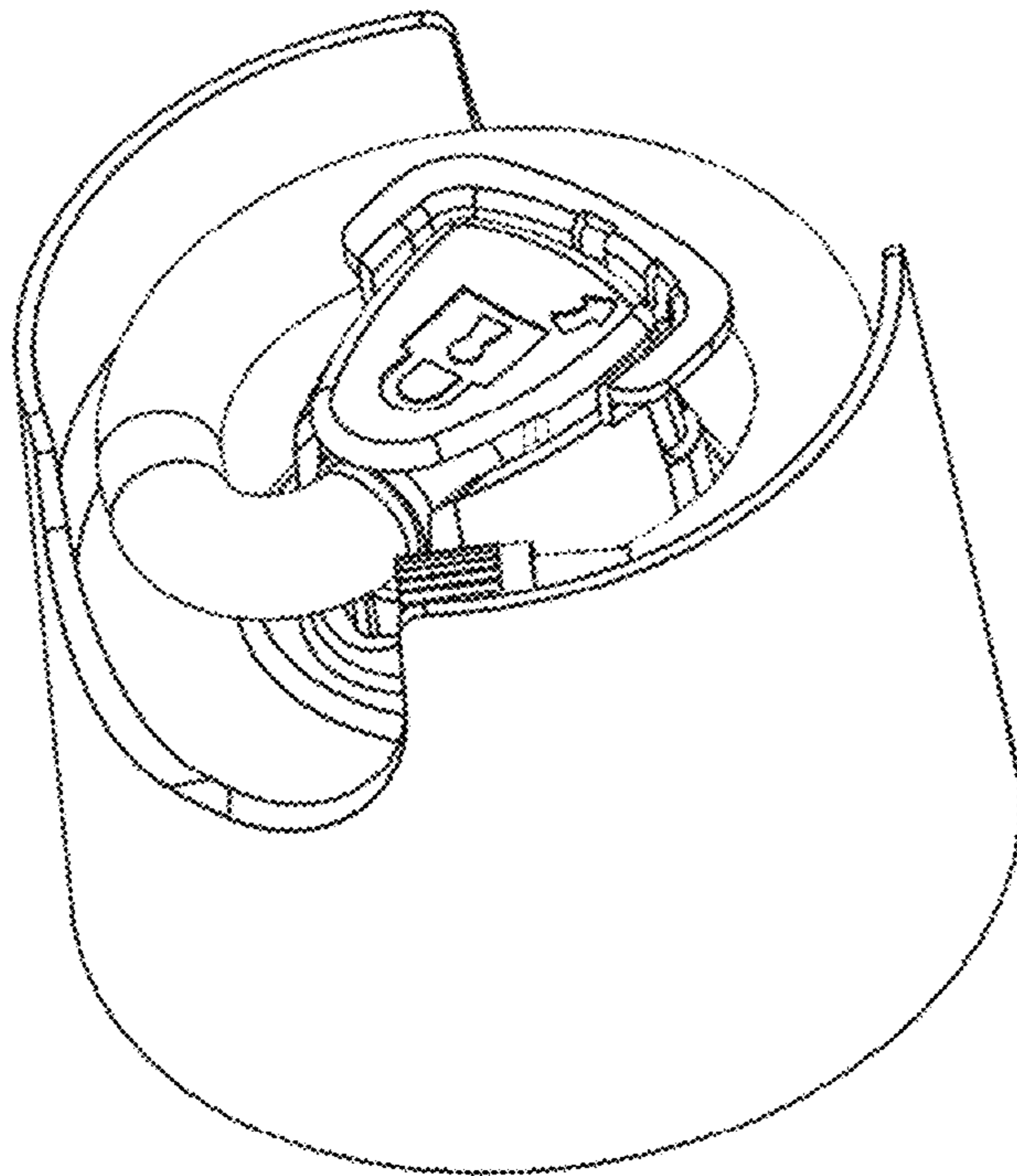


FIG. 1

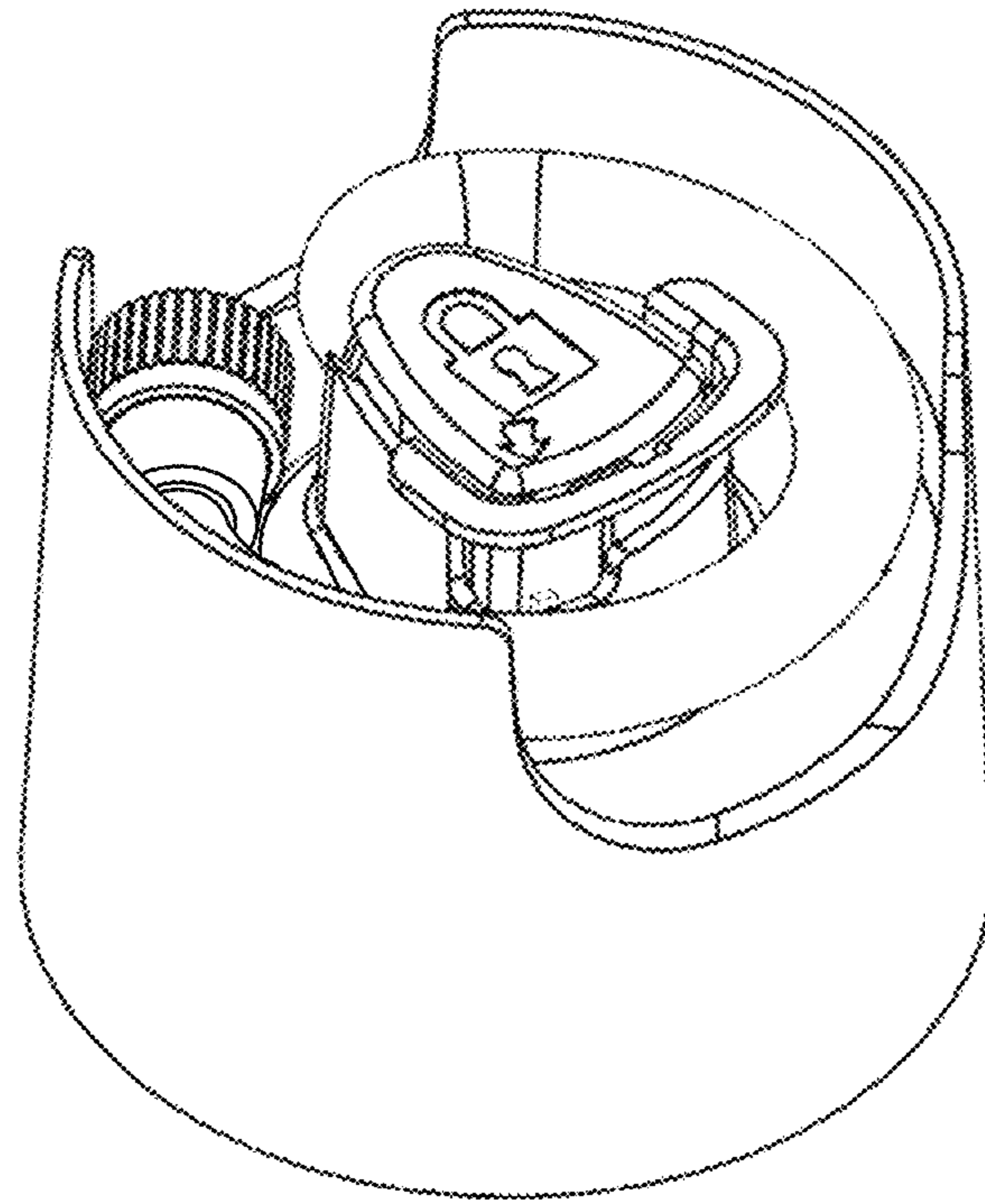


FIG. 2

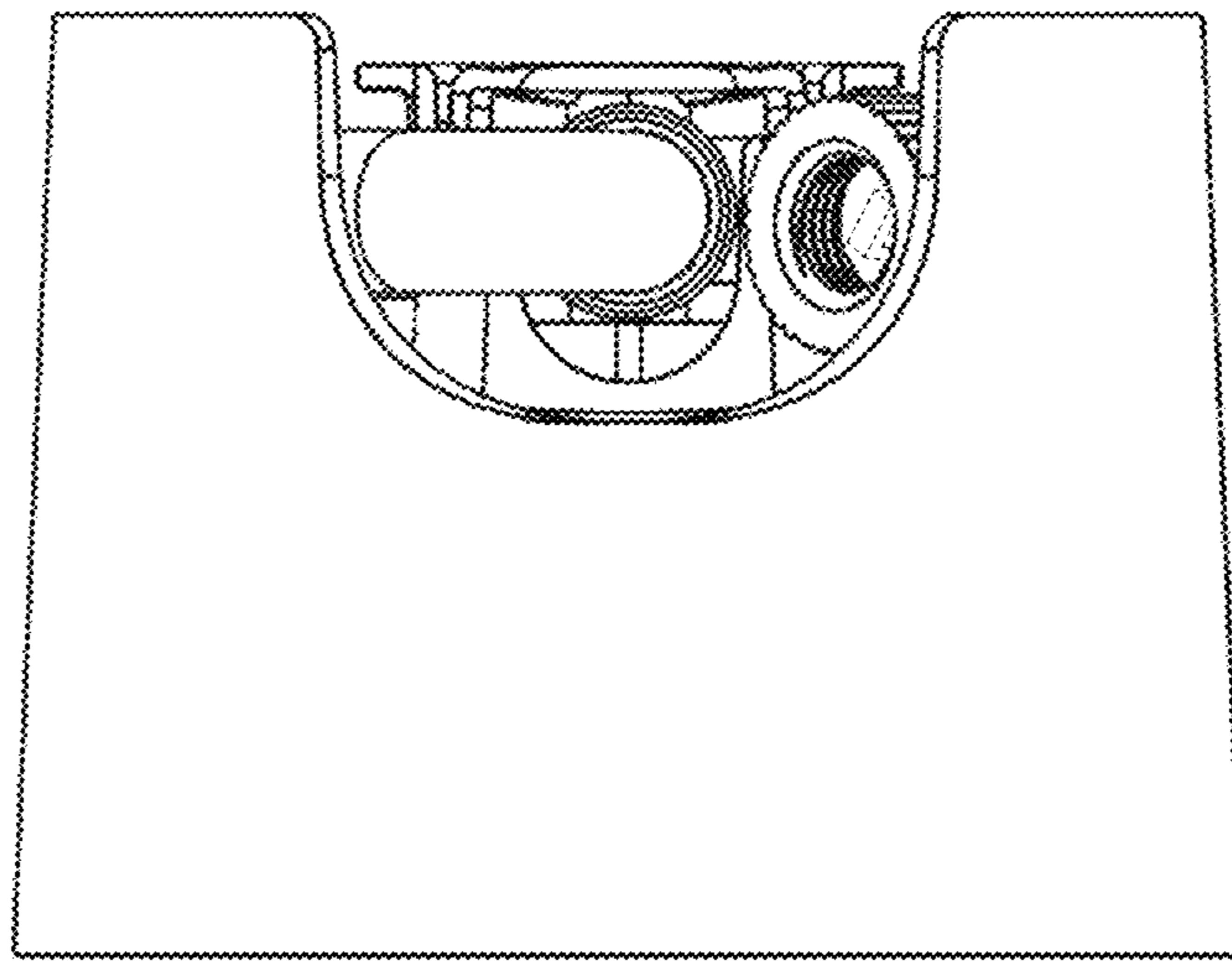


FIG. 3

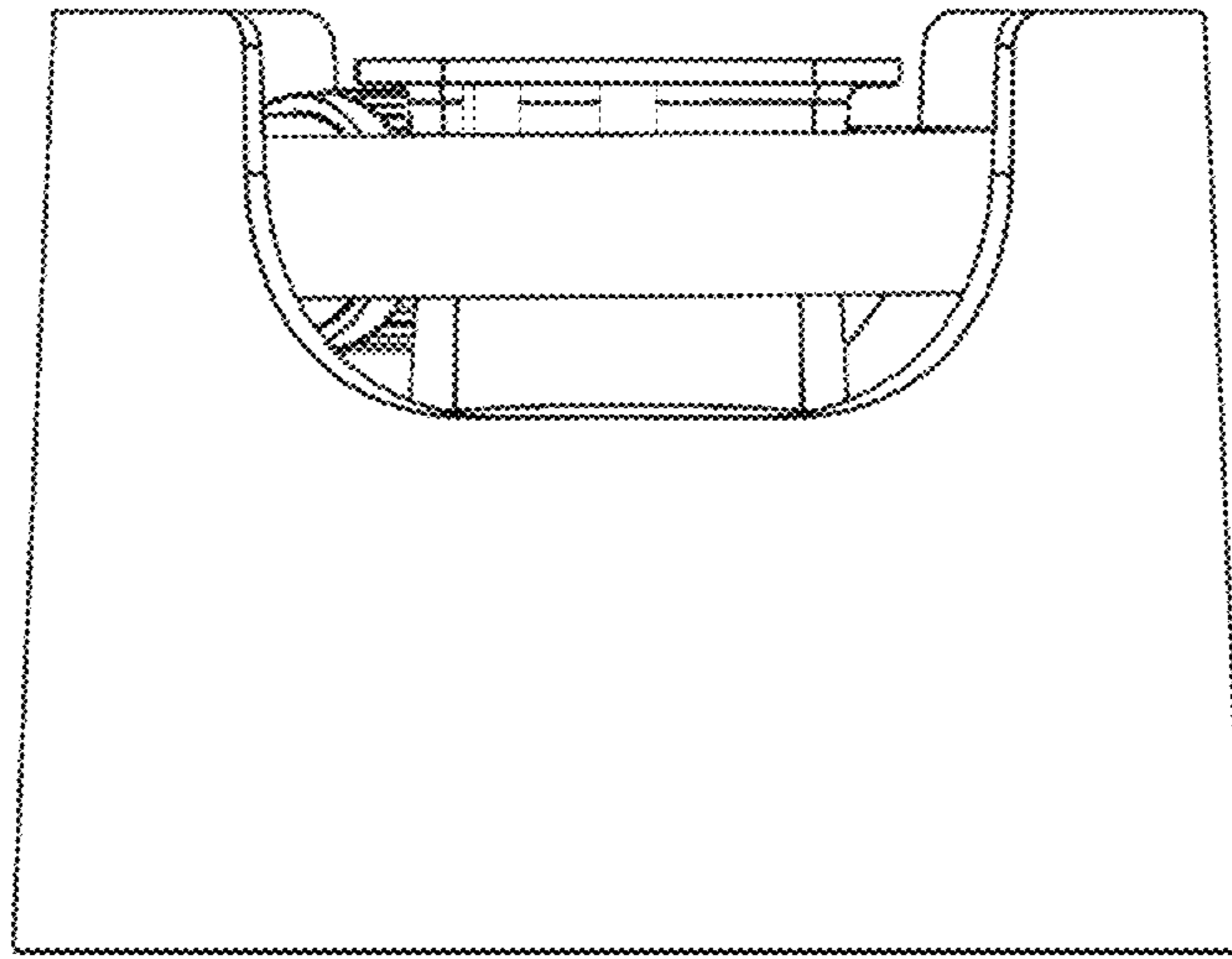


FIG. 4

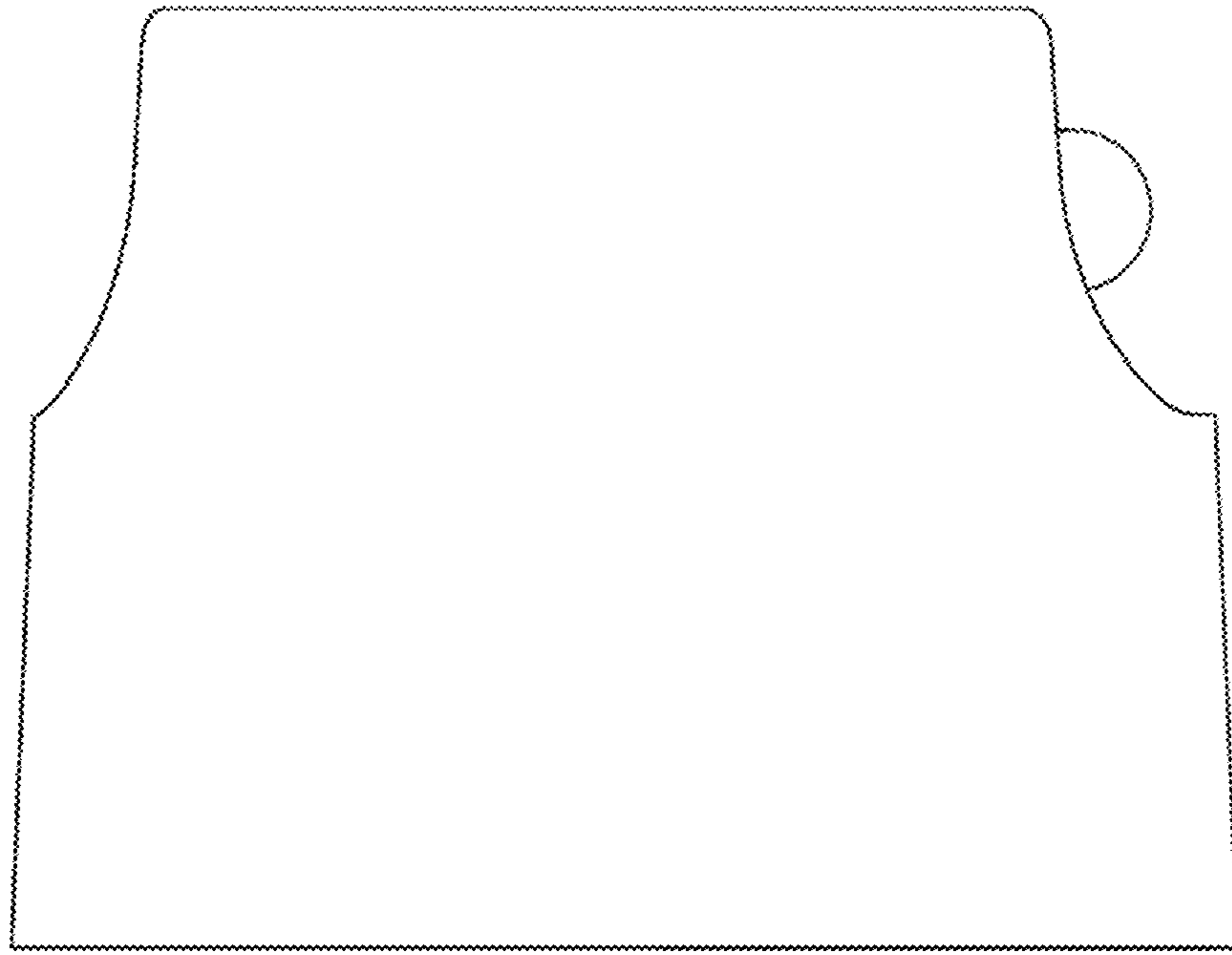


FIG. 5

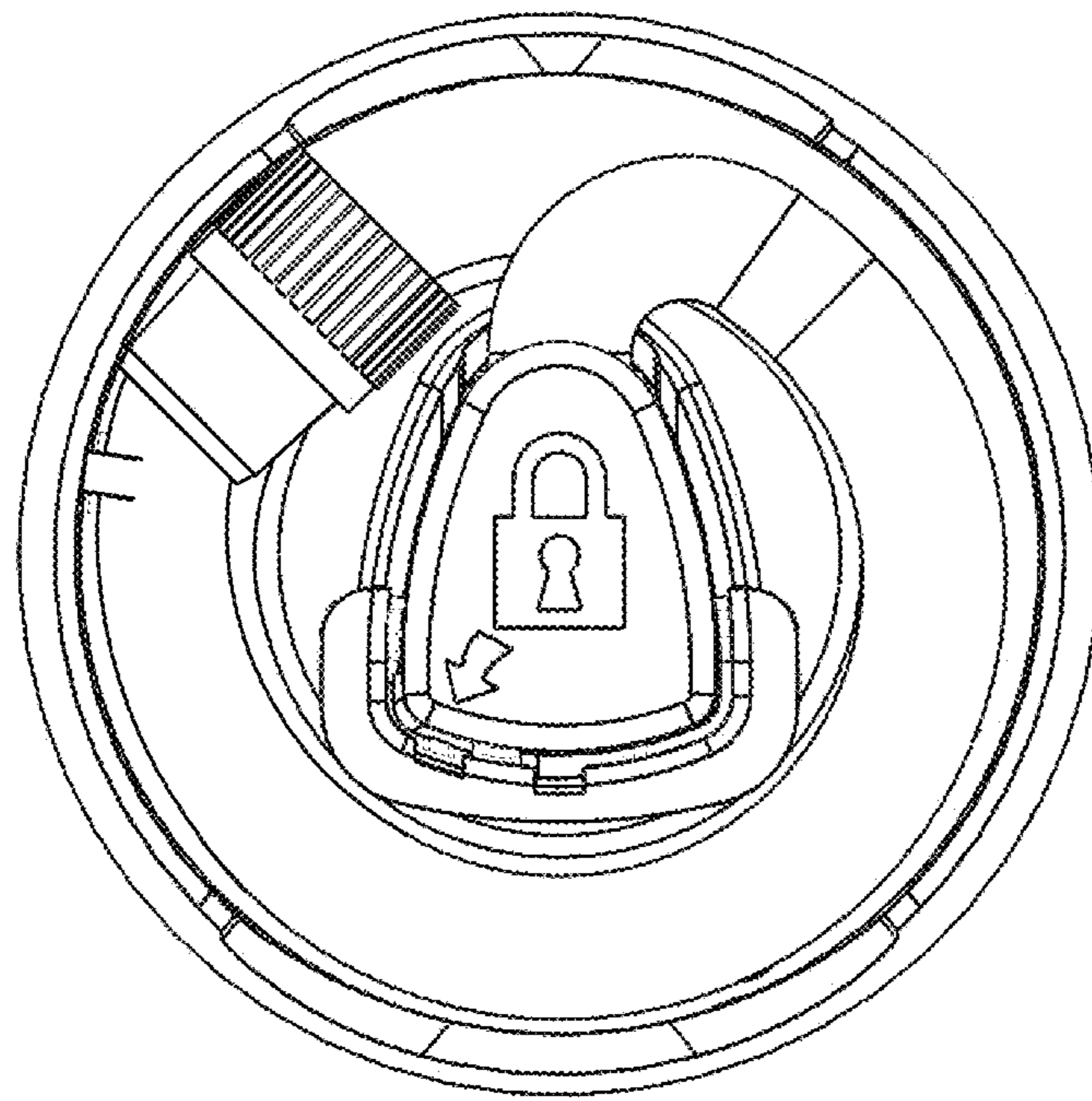


FIG. 6

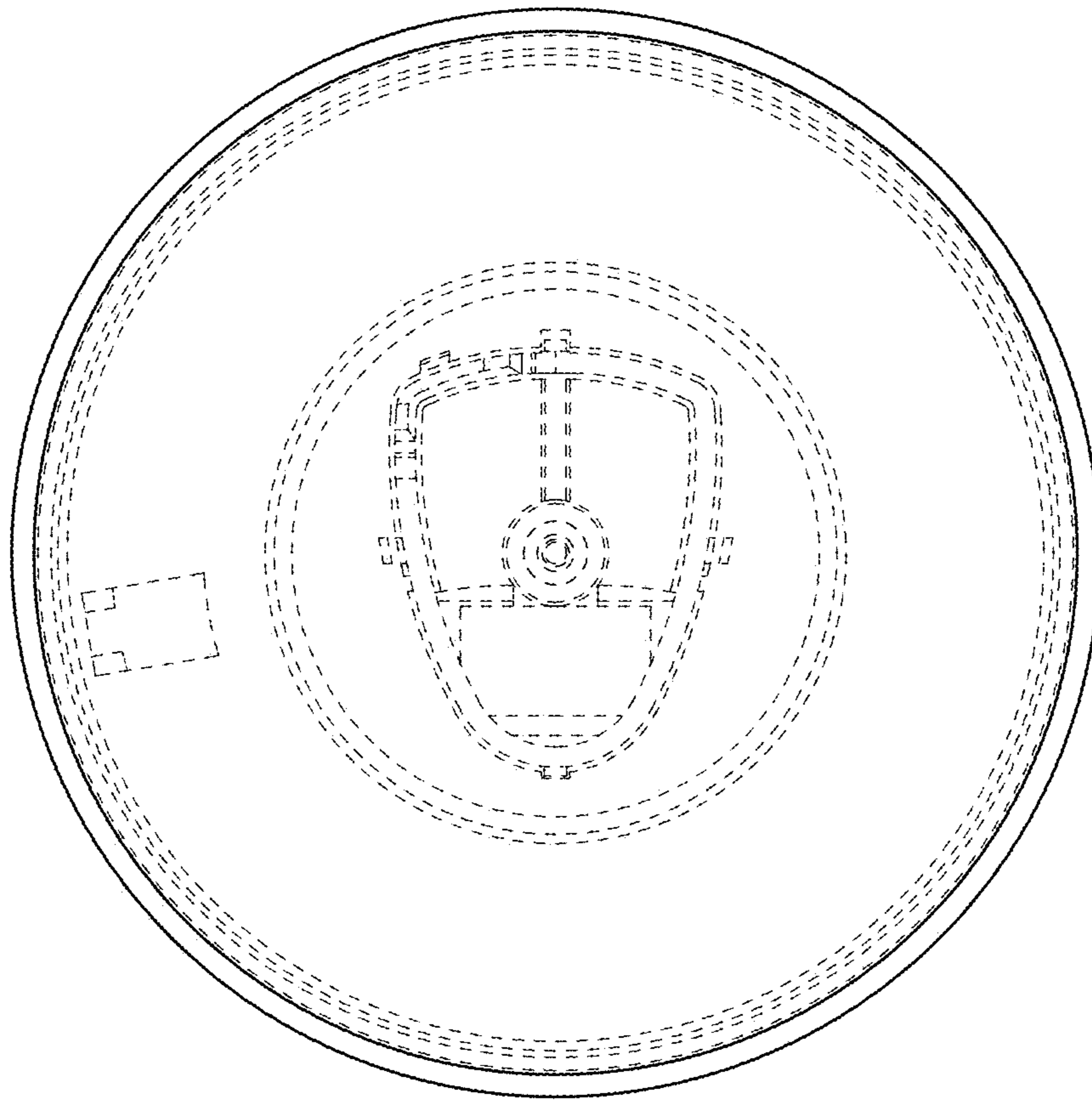


FIG. 7