



US00D915884S

(12) **United States Design Patent** (10) **Patent No.:** **US D915,884 S**
Mizokami et al. (45) **Date of Patent:** **** Apr. 13, 2021**

(54) **SPOUT FOR PACKAGING CONTAINER**

FOREIGN PATENT DOCUMENTS

- (71) Applicant: **KAO CORPORATION**, Tokyo (JP)
- (72) Inventors: **Ayaka Mizokami**, Tokyo (JP); **Motoaki Moriya**, Tokyo (JP); **Michiaki Fujita**, Tokyo (JP)
- (73) Assignee: **KAO CORPORATION**, Tokyo (JP)
- (**) Term: **15 Years**
- (21) Appl. No.: **29/705,218**
- (22) Filed: **Sep. 10, 2019**
- (51) **LOC (13) Cl.** **09-07**
- (52) **U.S. Cl.**
USPC **D9/447; D9/440**
- (58) **Field of Classification Search**
USPC D9/414, 424, 425, 428, 432, 434, 435, D9/436, 439, 440, 443-450, 452-457, D9/499, 503, 516, 682, 685, 686, 702, D9/707-710; D7/387, 391, 392, 392.1, D7/396.2, 510, 511, 538, 900; D3/202, D3/203.2; D28/91, 91.1
CPC .. A61J 1/00; A61J 1/1412; B65D 1/00; B65D 1/02; B65D 1/10; B65D 1/46; B65D 5/46; B65D 41/00; B65D 41/38; B65D 41/56; B65D 41/62; B65D 47/00; B65D 47/06; B65D 47/08; B65D 2251/00; B65D 2543/00046; B65D 2543/00092; B65D 2543/00296
See application file for complete search history.

CN 302605387 * 10/2013
JP 2018-140828 9/2018

Primary Examiner — Wendy L Arminio
(74) *Attorney, Agent, or Firm* — Oblon, McClelland, Maier & Neustadt, L.L.P.

(57) **CLAIM**

The ornamental design for a spout for packaging container, as shown and described.

DESCRIPTION

FIG. 1 is a front, right side, top perspective view of a spout for packaging container showing our new design;
FIG. 2 is a front elevational view thereof;
FIG. 3 is a rear elevational view thereof;
FIG. 4 is a left side view thereof;
FIG. 5 is a right side view thereof;
FIG. 6 is a top plan view thereof;
FIG. 7 is a bottom plan view thereof;
FIG. 8 is a cross-sectional view thereof; taken in the direction of line 8-8 of FIG.4;
FIG. 9 is a front view of the spout for packaging container of FIG. 1 shown in a first position of use on an unclaimed container bag drawn in broken lines; and,
FIG. 10 is a another front view of the spout for packaging container of FIG. 1 shown in a second position of use on an unclaimed container bag drawn in broken lines.
The dash-dot-dash broken lines depict the boundaries of the claim and form no part thereof. The dash-dash broken lines in FIGS. 9 and 10 illustrating a container bag, bottle, liquid, and human arms depict environment and form no part of the claimed design. All other broken lines depict portions of the spout for packaging container that form no part of the claimed design.

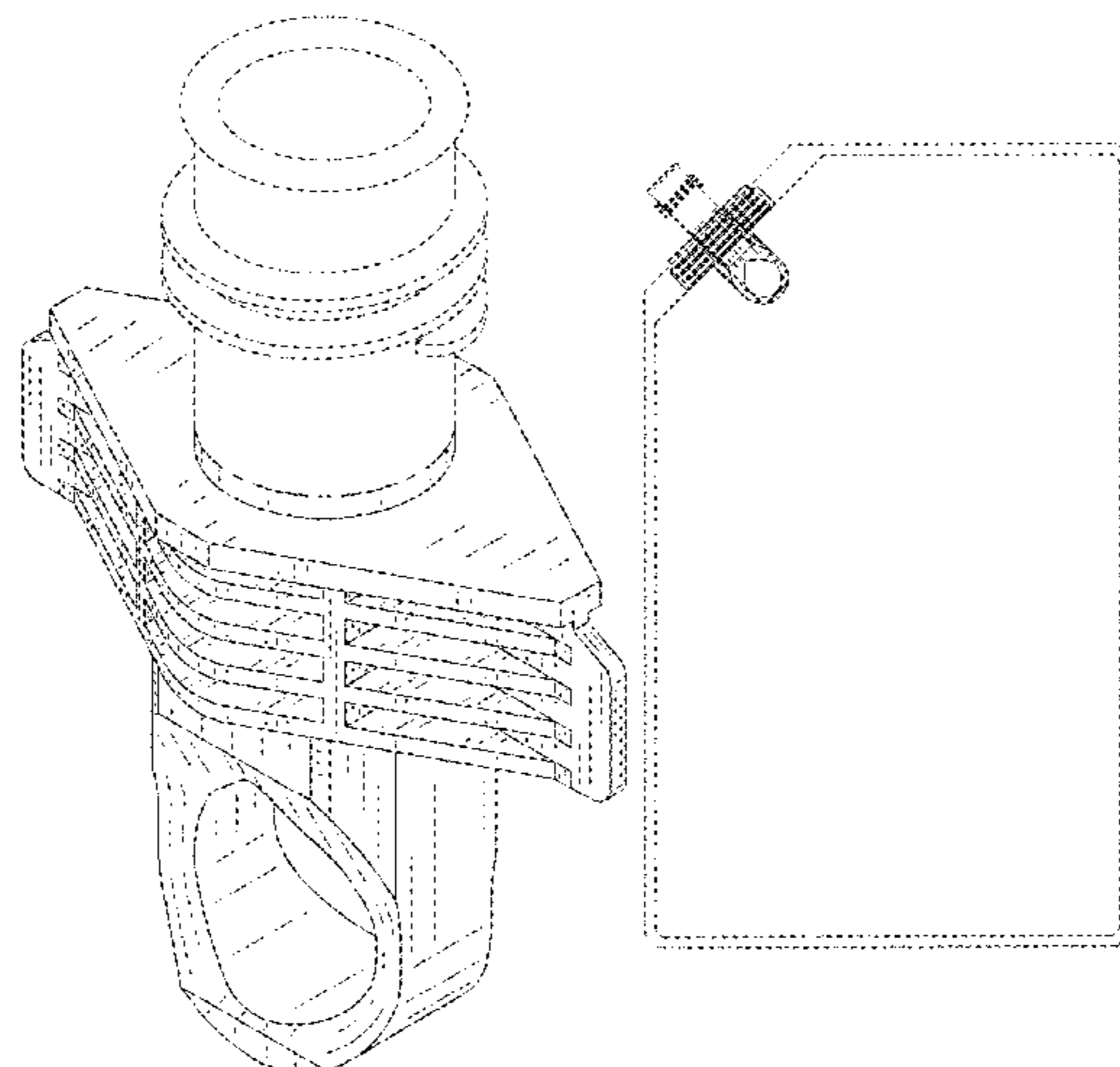
(56) **References Cited**

U.S. PATENT DOCUMENTS

- D410,845 S * 6/1999 Anderson D9/440
- D476,565 S * 7/2003 Rosen D9/449
- D489,978 S * 5/2004 Brown D9/447
- D566,554 S * 4/2008 Braukmann D9/453
- D580,758 S * 11/2008 Lacov D9/447
- D593,870 S * 6/2009 Wehling D9/708
- 8,105,226 B2 * 1/2012 Wada B65D 75/5883
493/213

(Continued)

1 Claim, 9 Drawing Sheets



(56)

References Cited

U.S. PATENT DOCUMENTS

8,443,999 B1 * 5/2013 Reinders B65D 41/0485
220/303
D684,056 S * 6/2013 Kwon D9/452
D684,058 S * 6/2013 Kwon D9/453
D705,079 S * 5/2014 Sanchez-Calatrava D9/708
D743,255 S * 11/2015 Niggemyer D9/447
D760,081 S * 6/2016 Berge D9/447
9,533,802 B2 * 1/2017 Berge B65D 75/008
10,351,315 B2 * 7/2019 Berge B65D 47/122
10,501,241 B2 * 12/2019 Berge B65D 47/122
2004/0245286 A1 * 12/2004 Lee B65D 75/5883
222/83
2009/0223963 A1 * 9/2009 Bisio B65D 41/3433
220/304
2011/0132941 A1 * 6/2011 Kim B65D 75/5883
222/566
2014/0010481 A1 * 1/2014 Last B65D 75/5883
383/5
2015/0129533 A1 * 5/2015 Taber B65D 75/5883
215/252
2015/0232237 A1 * 8/2015 Berge B65D 47/122
222/153.06
2017/0121085 A1 * 5/2017 Ichikawa B65D 75/5883
2017/0327278 A1 * 11/2017 Berge B65D 47/122
2018/0265259 A1 * 9/2018 Berge A61L 2/02
2020/0095033 A1 * 3/2020 Ono B65D 47/2018

* cited by examiner

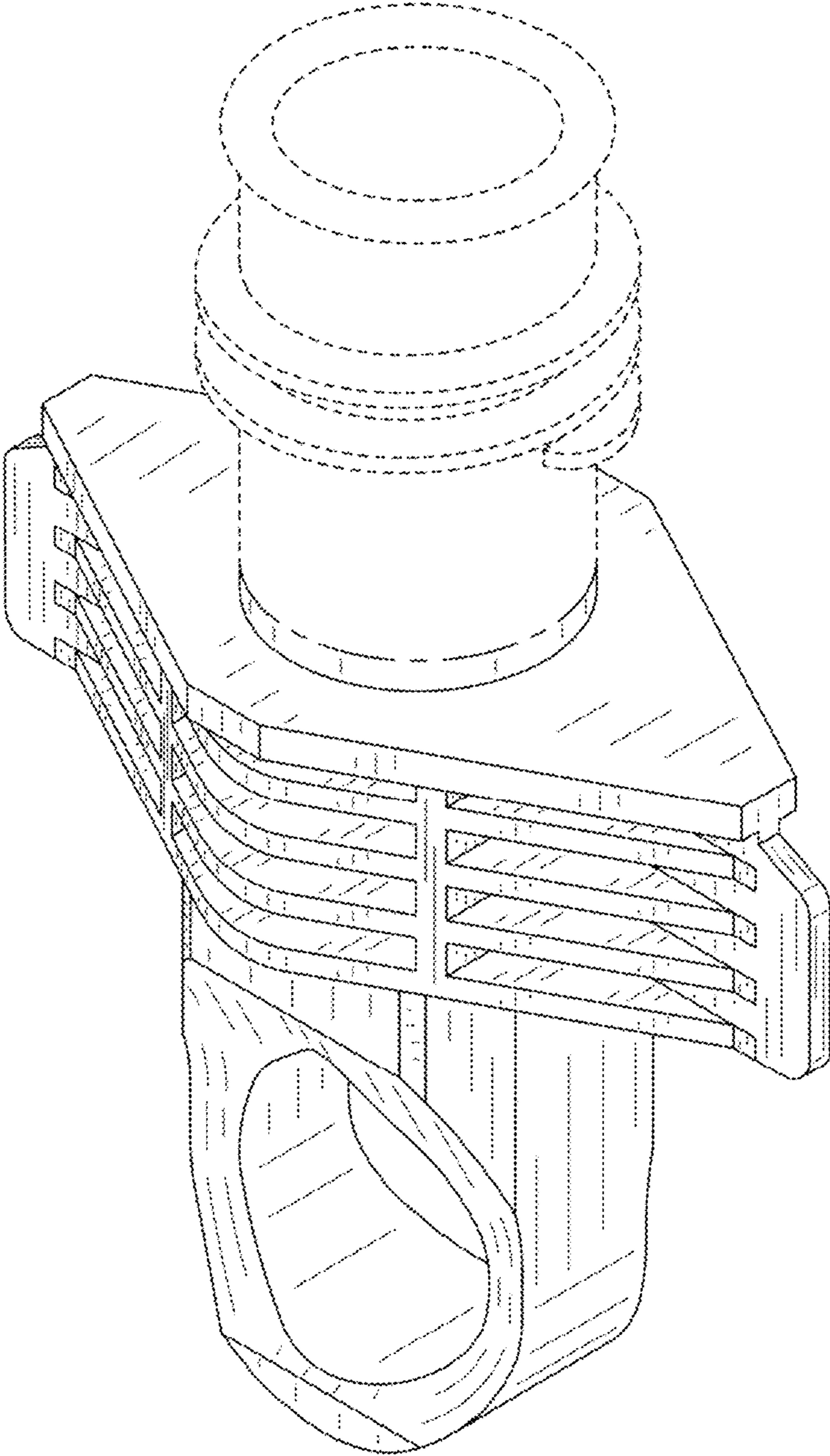


FIG. 1

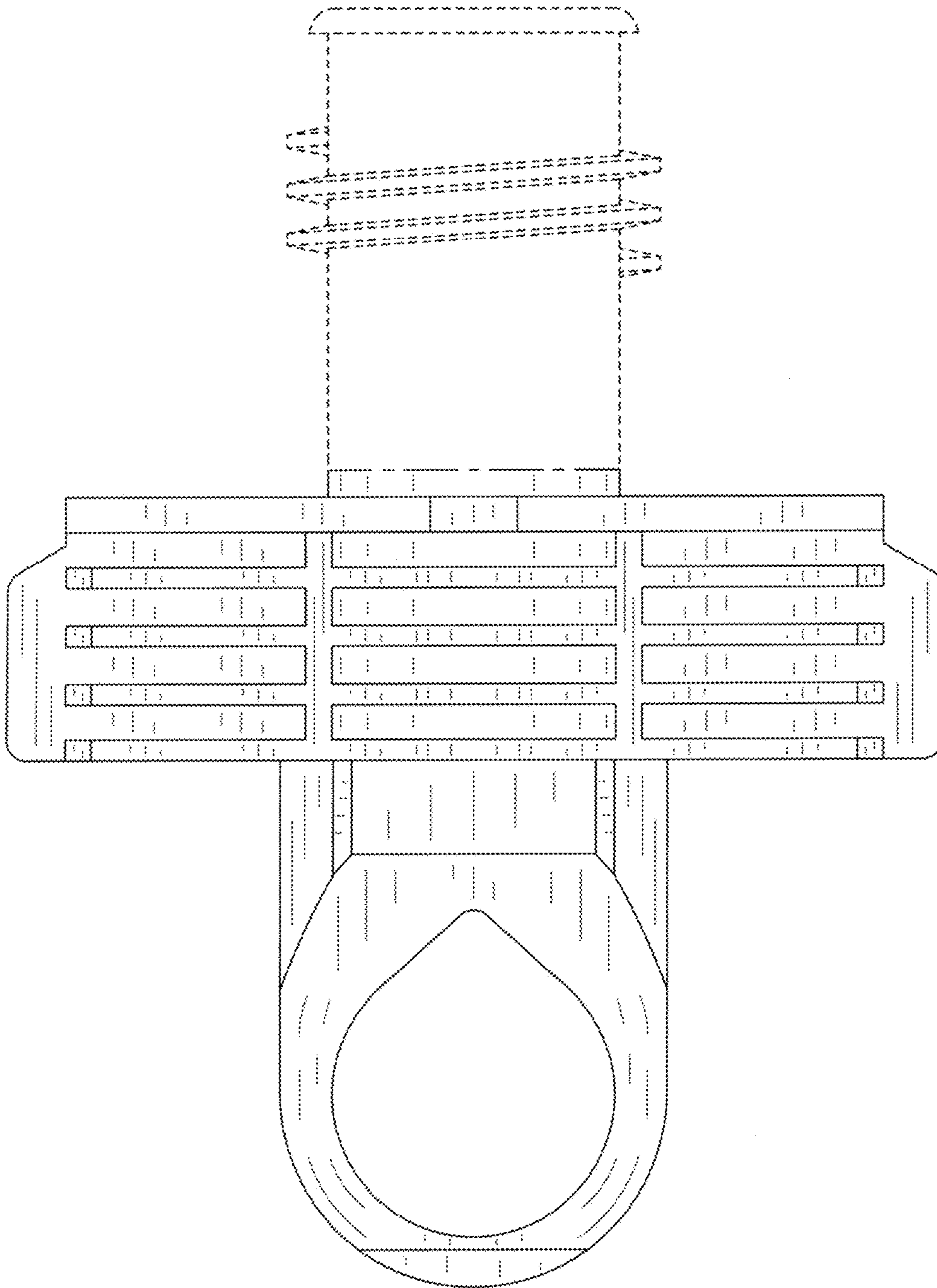


FIG. 2

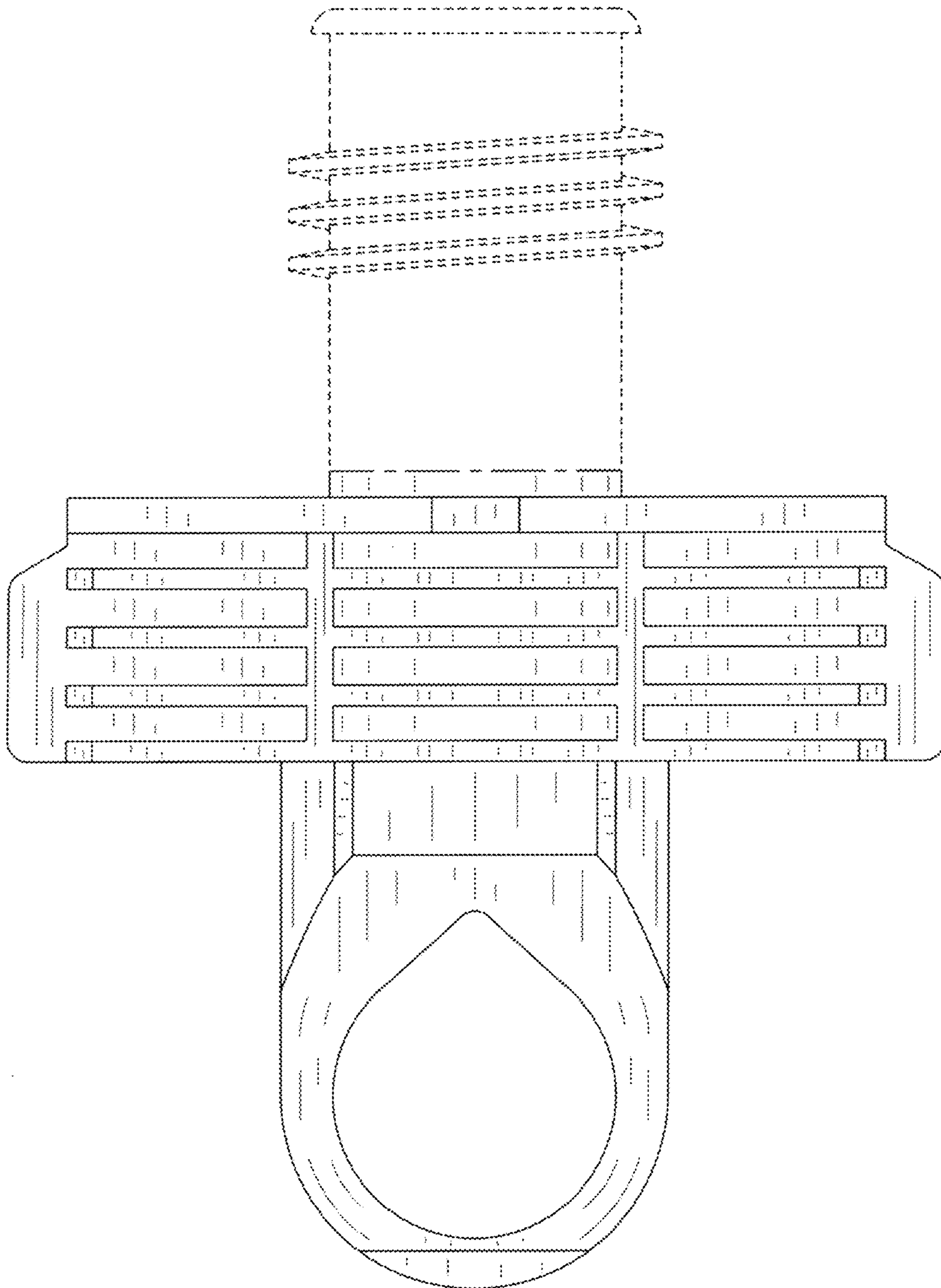


FIG. 3

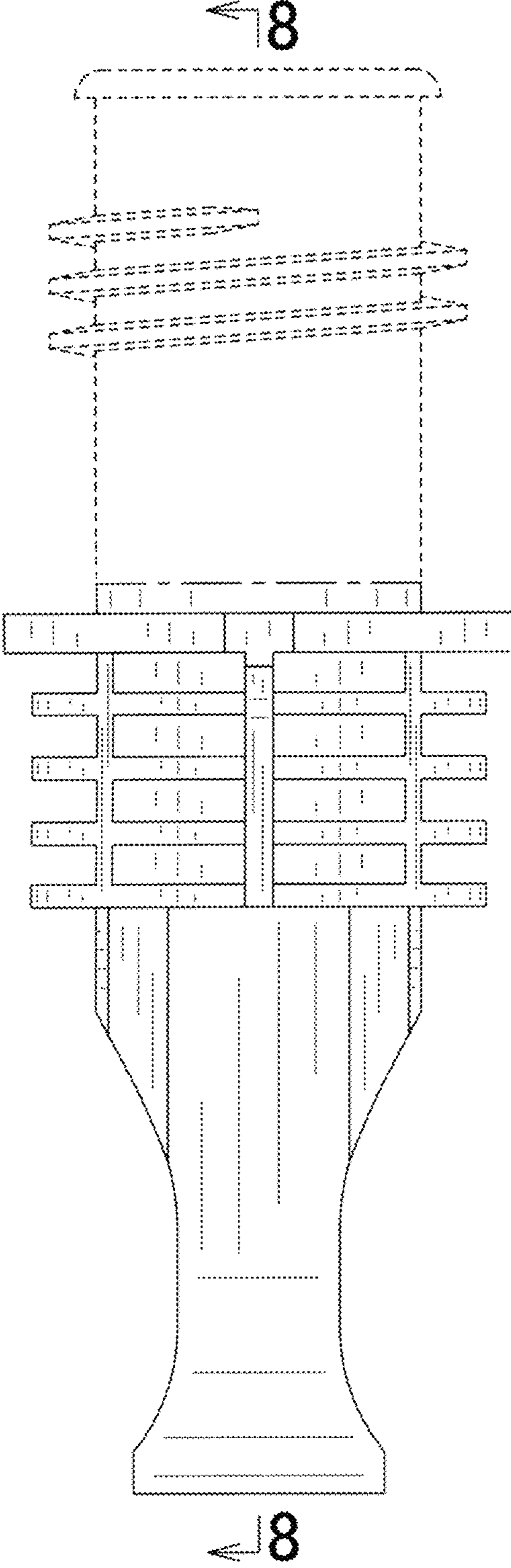


FIG. 4

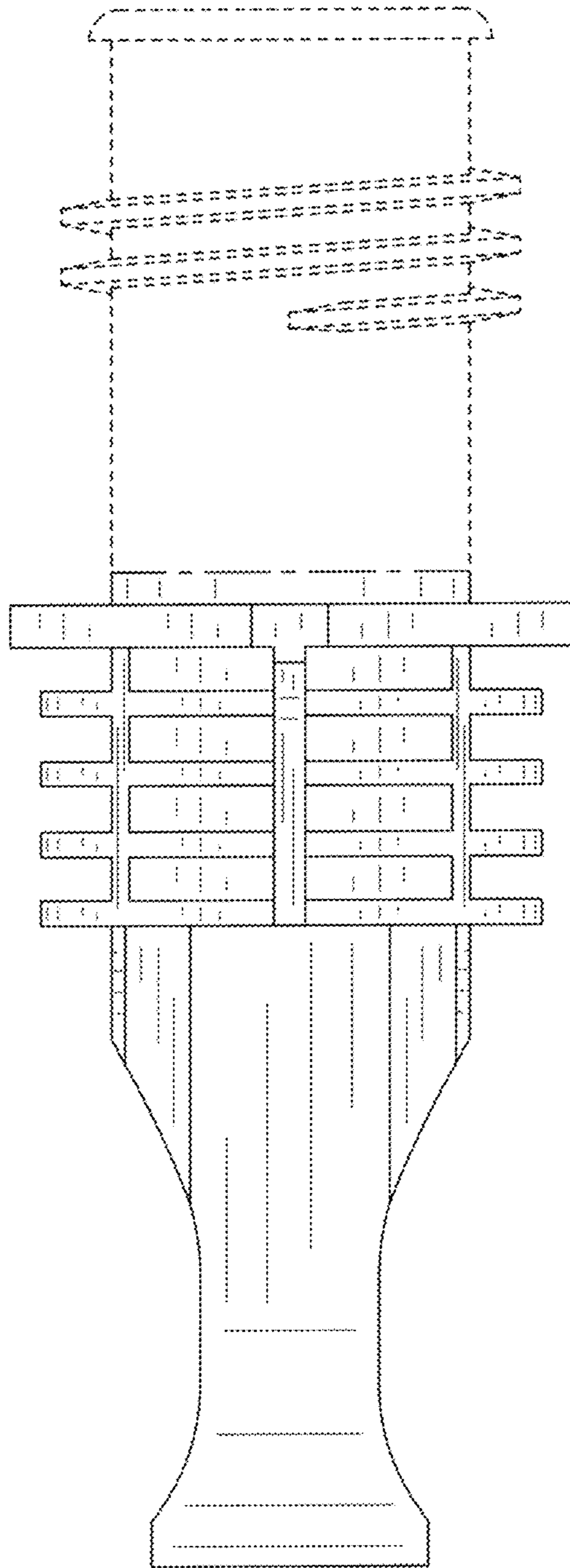


FIG. 5

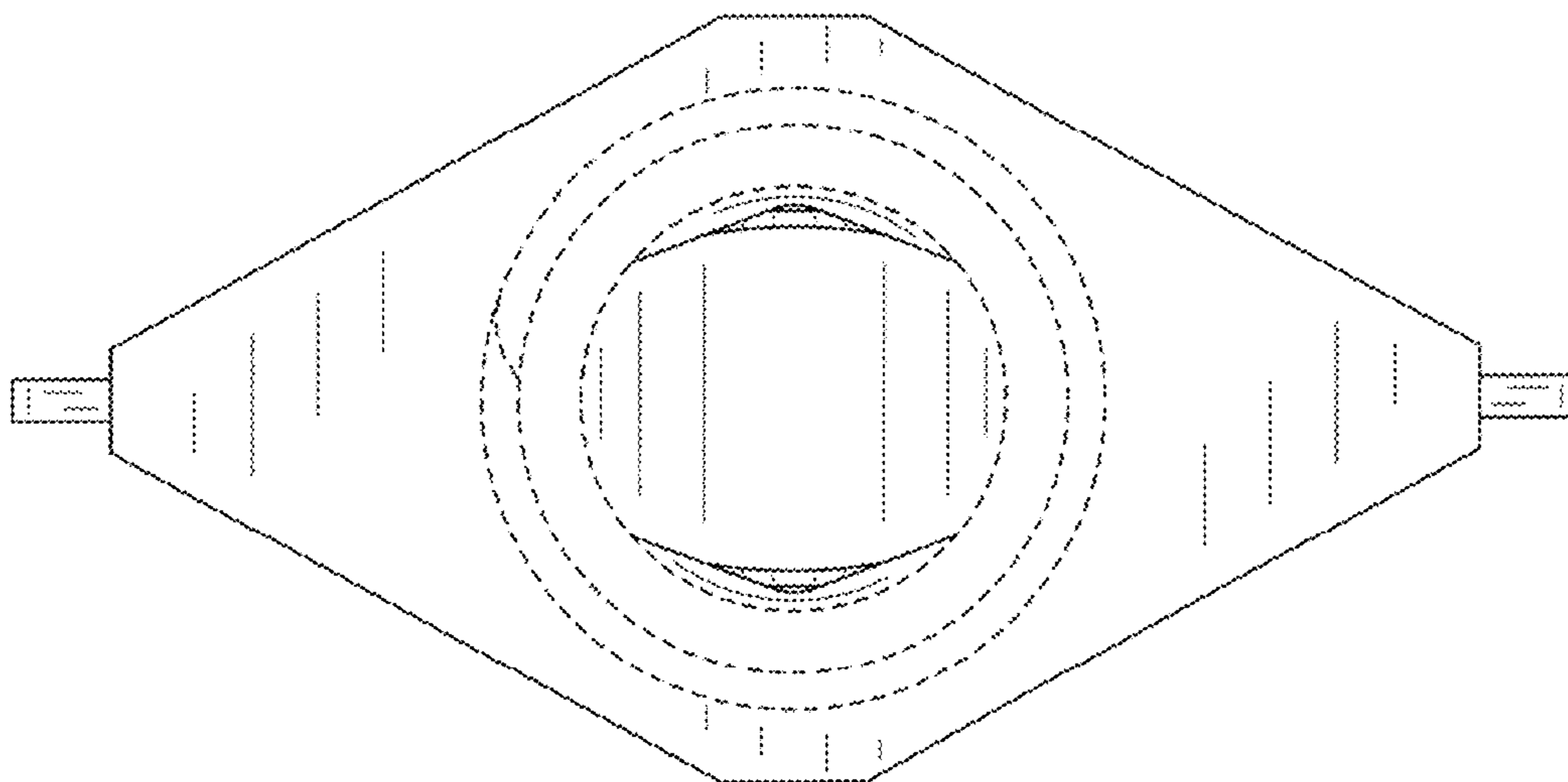


FIG. 6

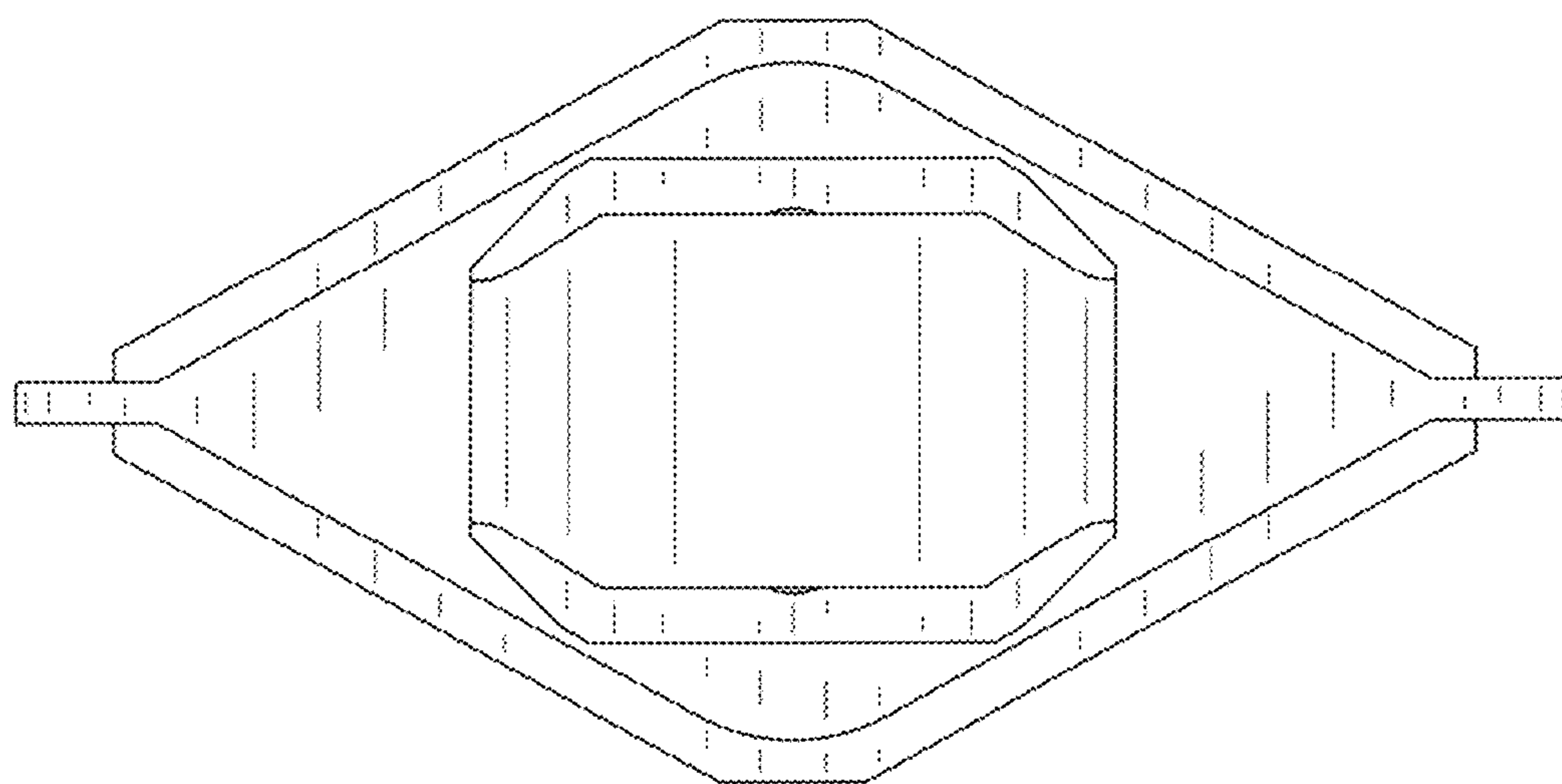


FIG. 7

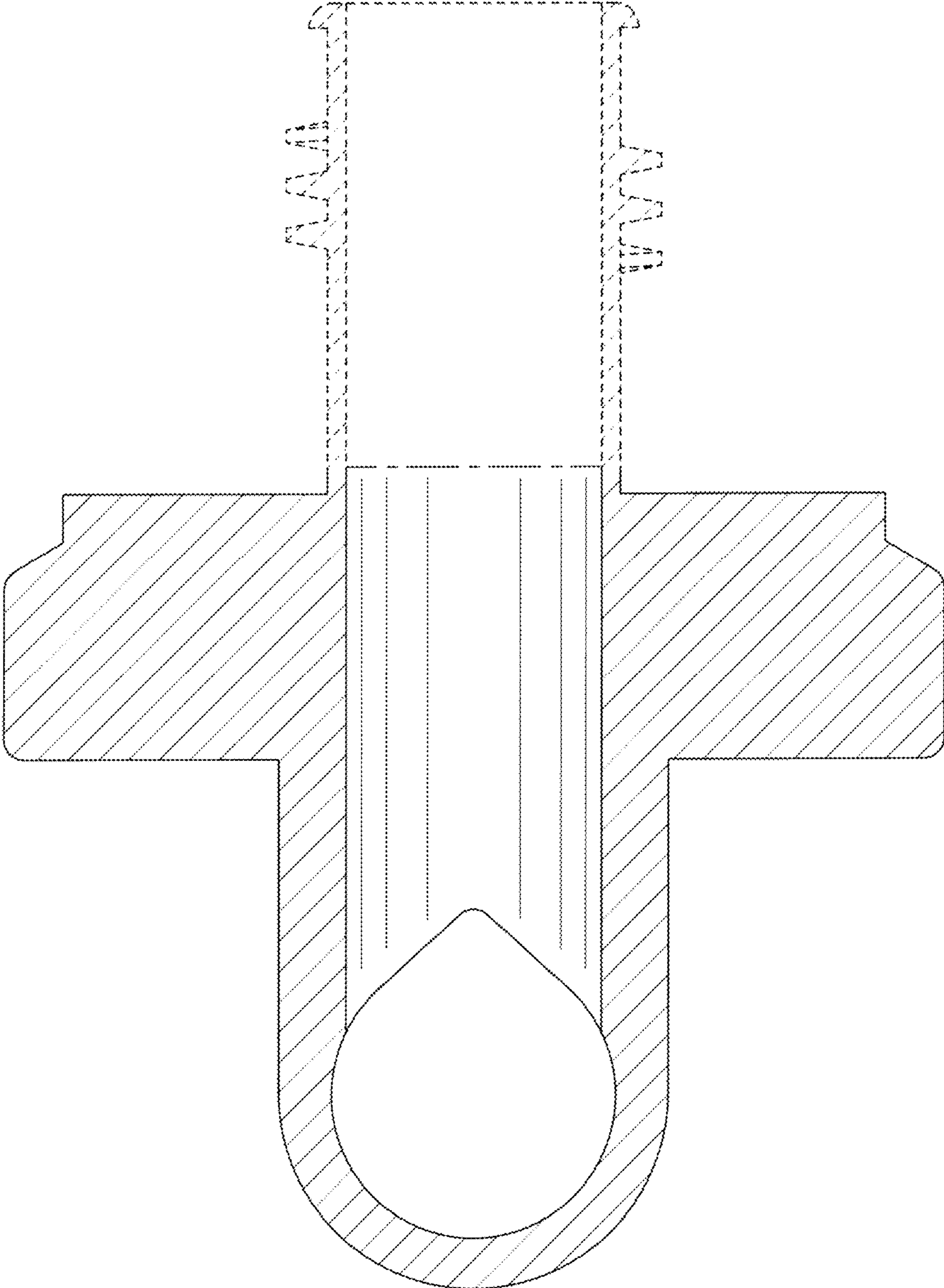


FIG. 8

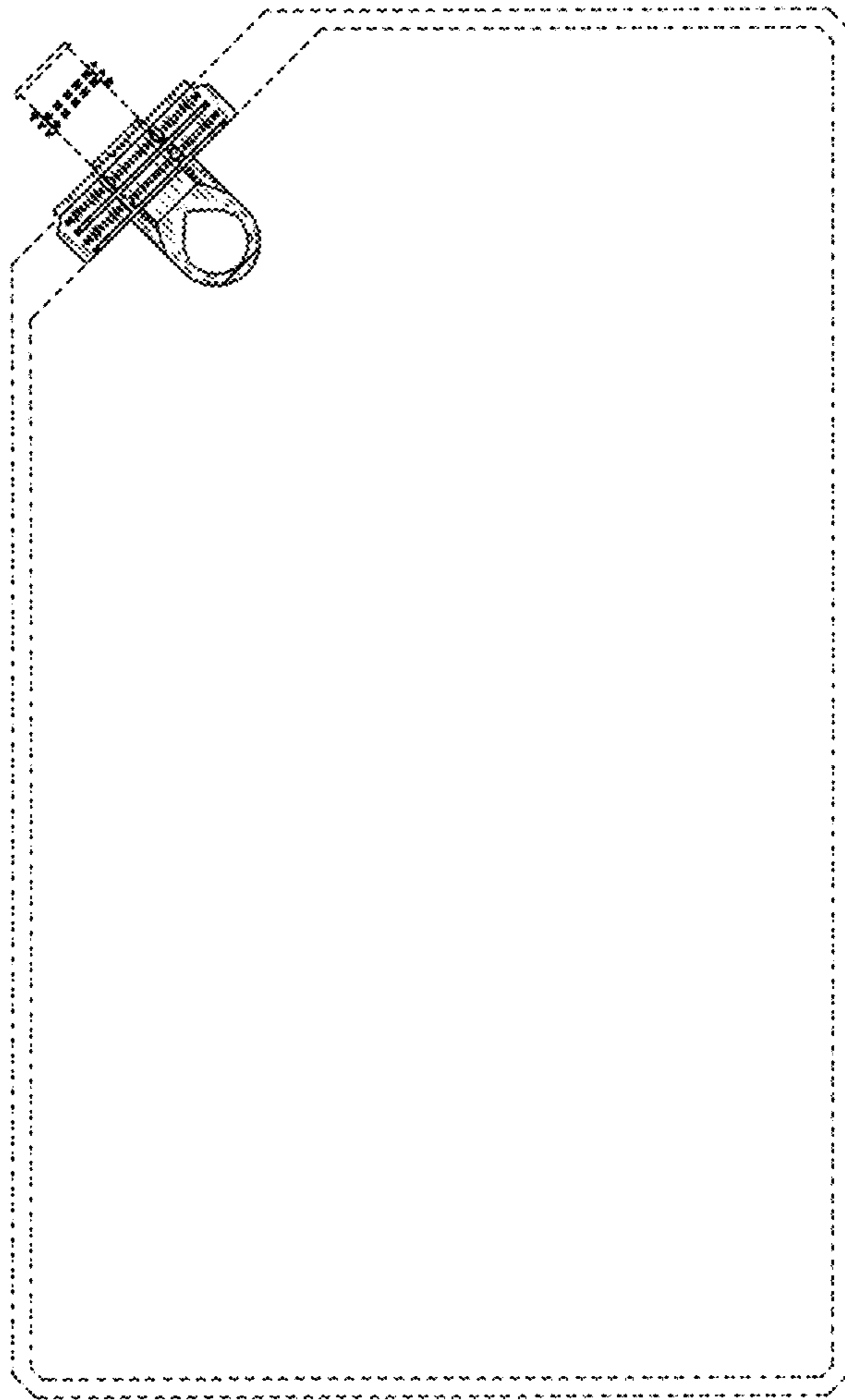


FIG. 9

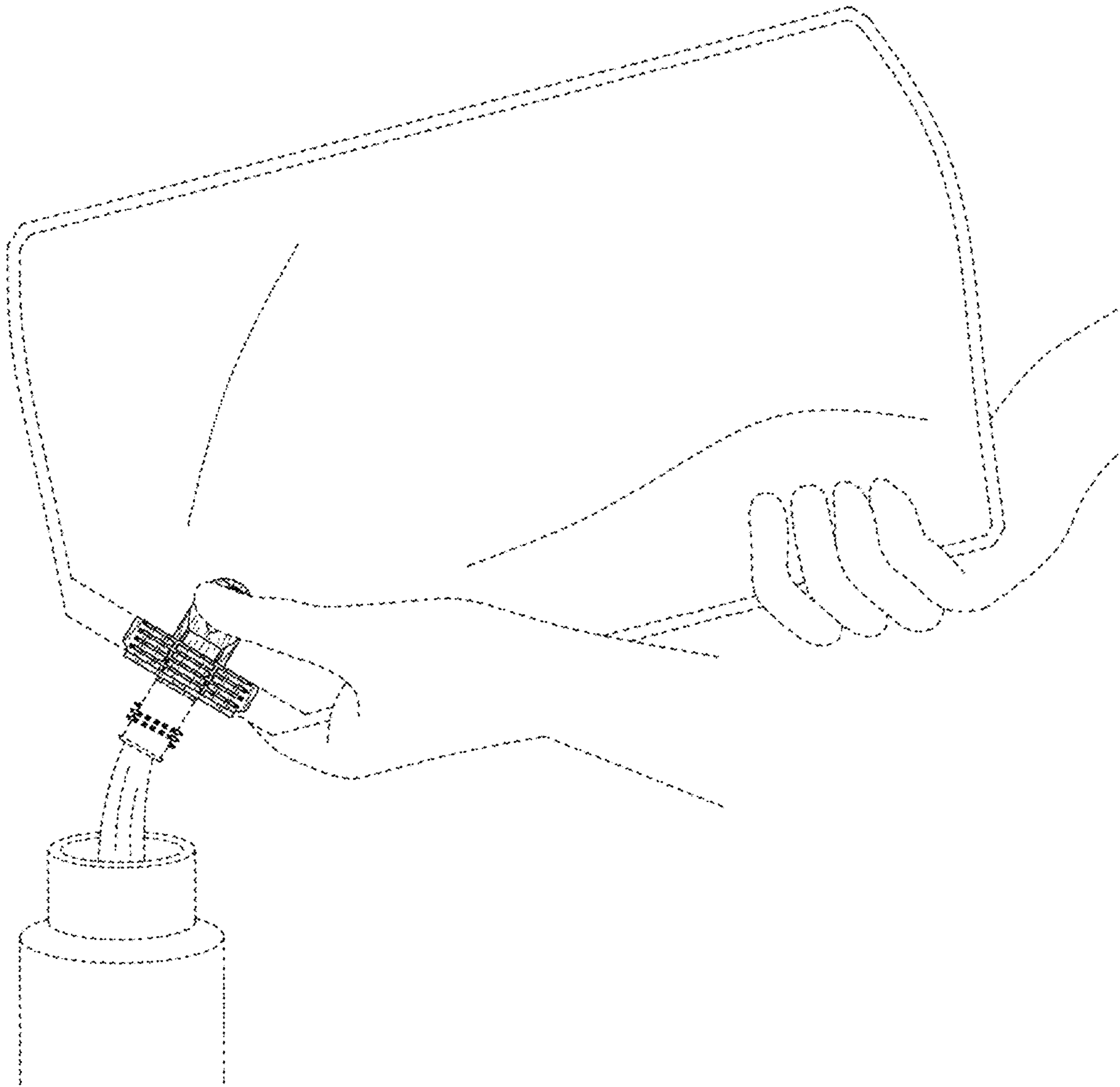


FIG. 10