



US00D915883S

(12) **United States Design Patent** (10) **Patent No.:** **US D915,883 S**
Lundh (45) **Date of Patent:** **** Apr. 13, 2021**

(54) **BOTTLE CAP**

(71) Applicant: **Lundh Eddeborn Office AB,**
Stockholm (SE)

(72) Inventor: **Timmy Lundh,** Stockholm (SE)

(73) Assignee: **Lundh Eddeborn Office AB,**
Stockholm (SE)

(**) Term: **15 Years**

(21) Appl. No.: **29/711,366**

(22) Filed: **Oct. 30, 2019**

(30) **Foreign Application Priority Data**

May 13, 2019 (EM) 006443198

(51) **LOC (13) Cl.** **09-06**

(52) **U.S. Cl.**
USPC **D9/446**

(58) **Field of Classification Search**
USPC D9/434, 435, 439, 440, 442-450,
D9/452-457, 499, 503-505, 682, 685,
D9/686; D7/387, 391, 392, 392.1, 396.1,
D7/396.2, 507, 509-511, 538, 900;
D3/202, 203.2, 294, 318; D28/91, 91.1
CPC .. A61J 1/00; A61J 1/1412; B65D 1/00; B65D
1/02; B65D 1/10; B65D 1/46; B65D
5/46; B65D 41/00; B65D 41/38; B65D
41/56; B65D 41/62; B65D 47/00; B65D
47/06; B65D 47/08; B65D 2251/00;
B65D 2543/00046; B65D 2543/00092;
B65D 2543/00296

See application file for complete search history.

(56) **References Cited**

U.S. PATENT DOCUMENTS

D193,121	S	*	6/1962	Wickman	D9/446
D314,147	S	*	1/1991	Davis	D9/446
D404,646	S	*	1/1999	Black, Sr.	D9/446
D585,277	S	*	1/2009	Beauplan	D9/446
7,726,505	B2	*	6/2010	Cheung	F16K 17/42 220/231
D621,260	S	*	8/2010	Brannon	D9/447
D750,490	S	*	3/2016	Moore	D9/446
D767,390	S	*	9/2016	Miksovsky	D9/446
D769,671	S	*	10/2016	Bielawski	D9/446
D802,743	S	*	11/2017	Davis	D9/434
D813,668	S	*	3/2018	Miller	D9/449
D825,332	S	*	8/2018	Miksovsky	D9/446
D872,575	S	*	1/2020	Tebbs	D9/446
D873,661	S	*	1/2020	DeRuntz	D9/439
D877,884	S	*	3/2020	Davis	D9/434

* cited by examiner

Primary Examiner — Wendy L Arminio

(74) *Attorney, Agent, or Firm* — Tucker Ellis LLP

(57) **CLAIM**

The ornamental design for a bottle cap, as shown and described.

DESCRIPTION

FIG. 1 is a perspective view of a bottle cap showing my new design;

FIG. 2 is a front view thereof;

FIG. 3 is a rear view thereof;

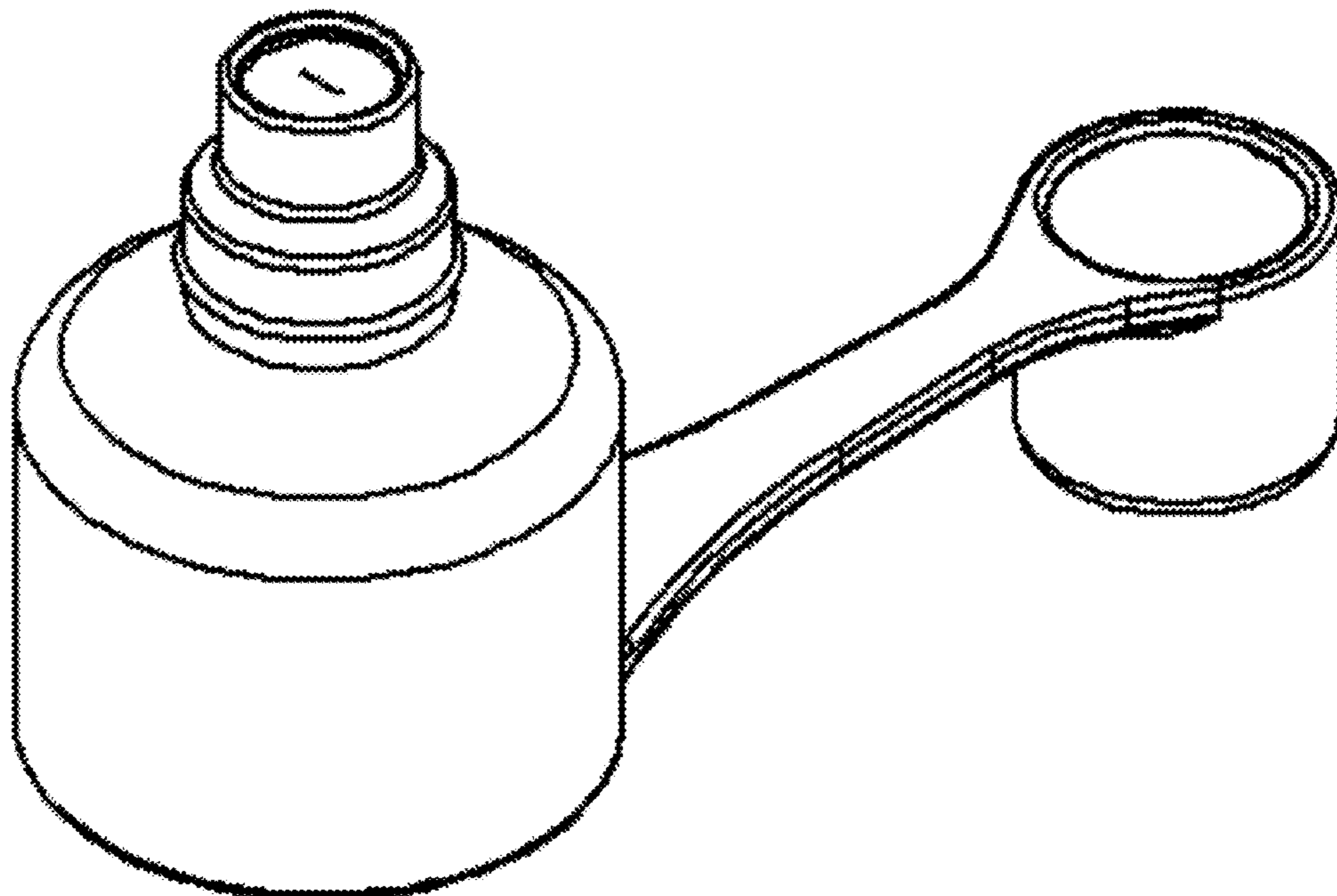
FIG. 4 is a top view thereof;

FIG. 5 is a bottom view thereof;

FIG. 6 is a left side view thereof; and,

FIG. 7 is a right side view thereof.

1 Claim, 4 Drawing Sheets



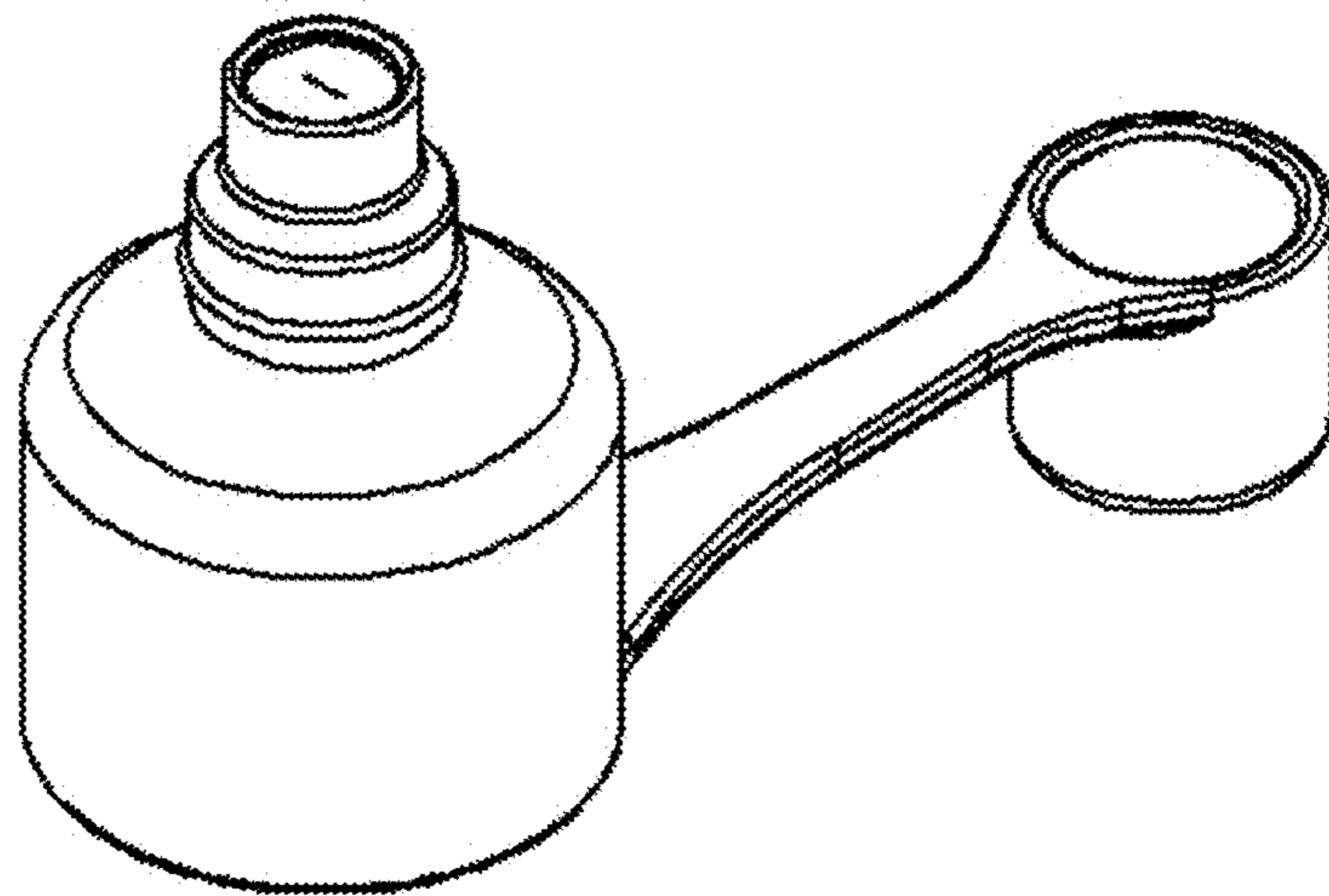


FIG. 1

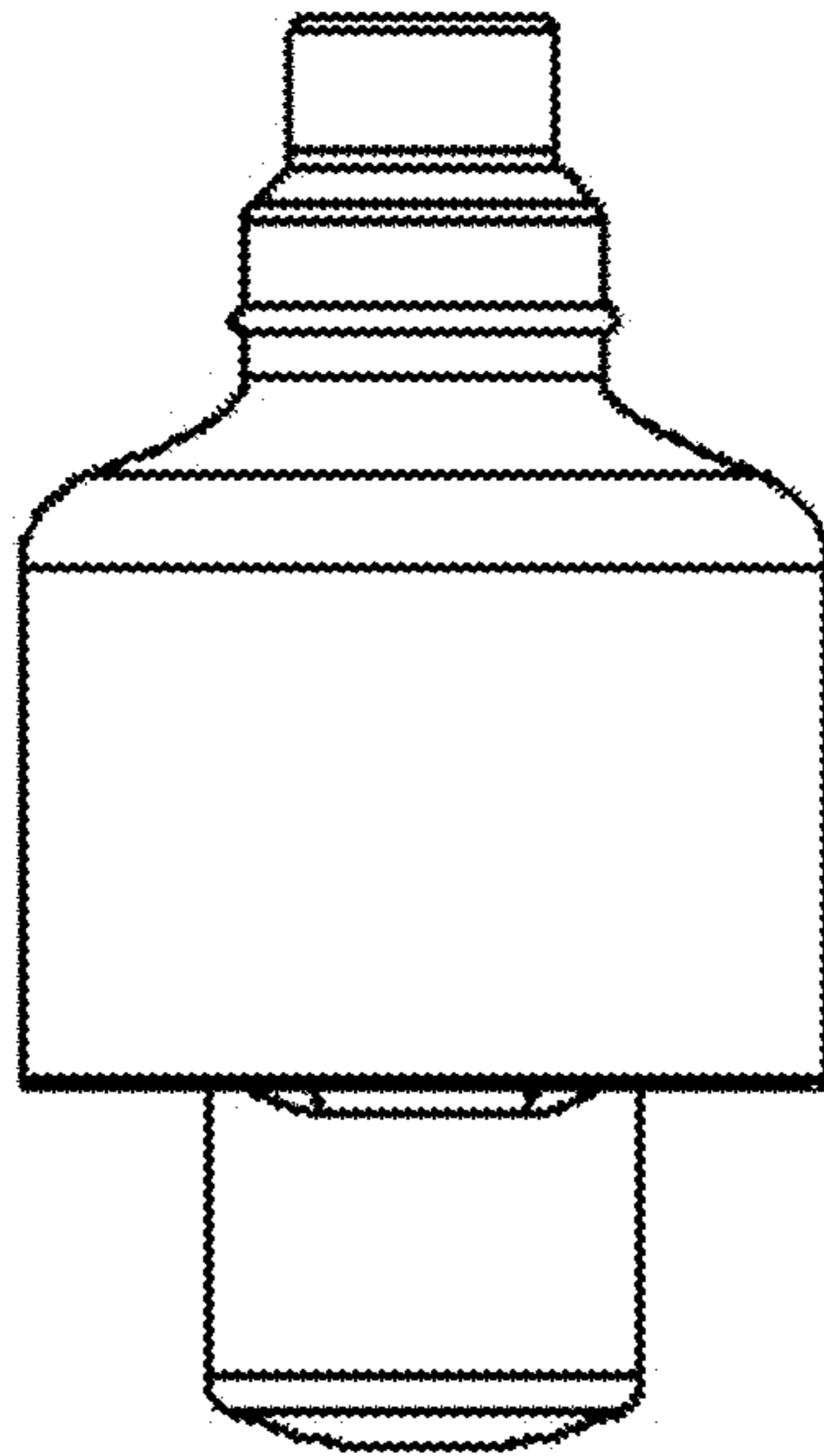


FIG. 2

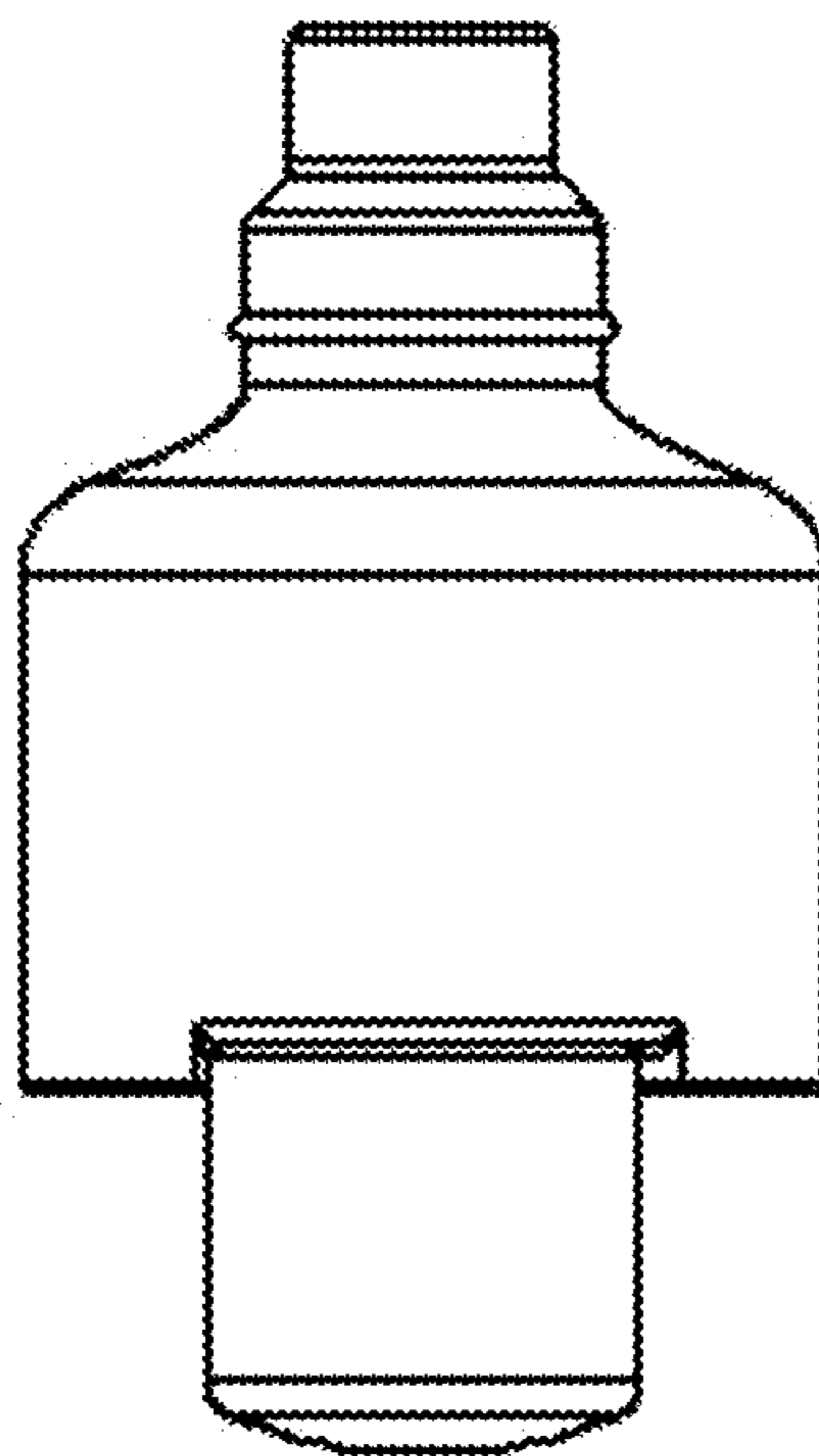


FIG. 3

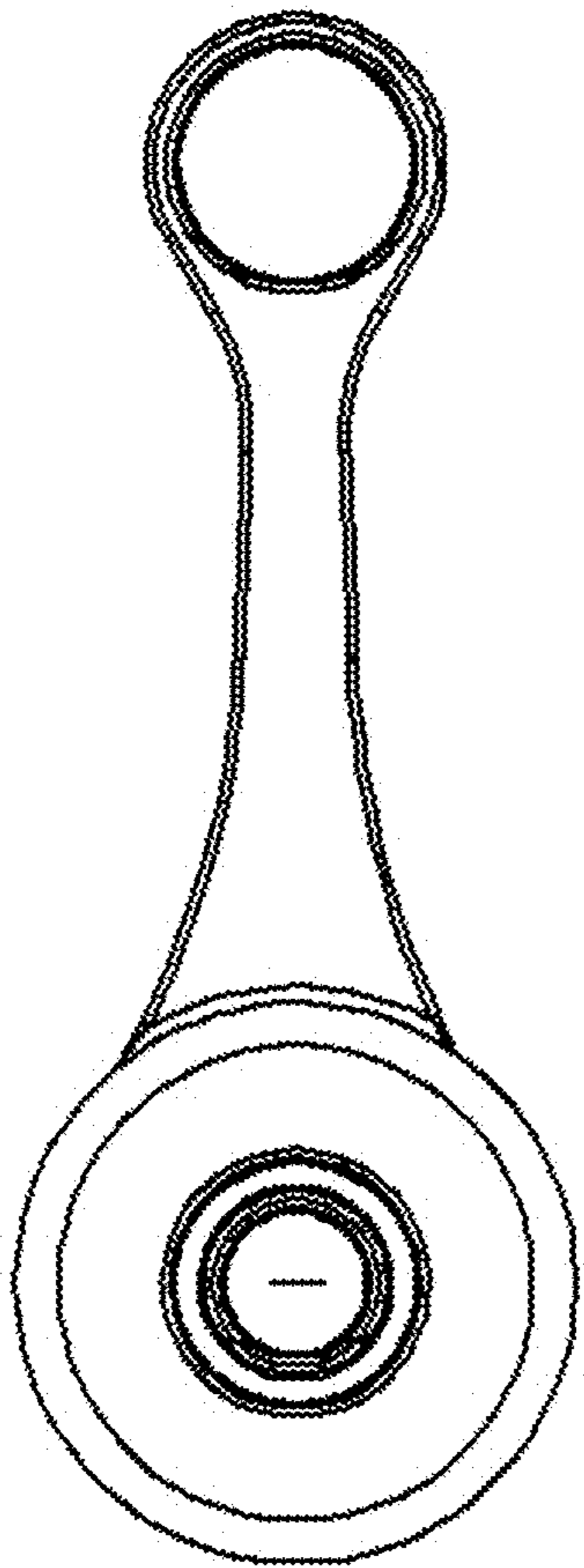


FIG. 4

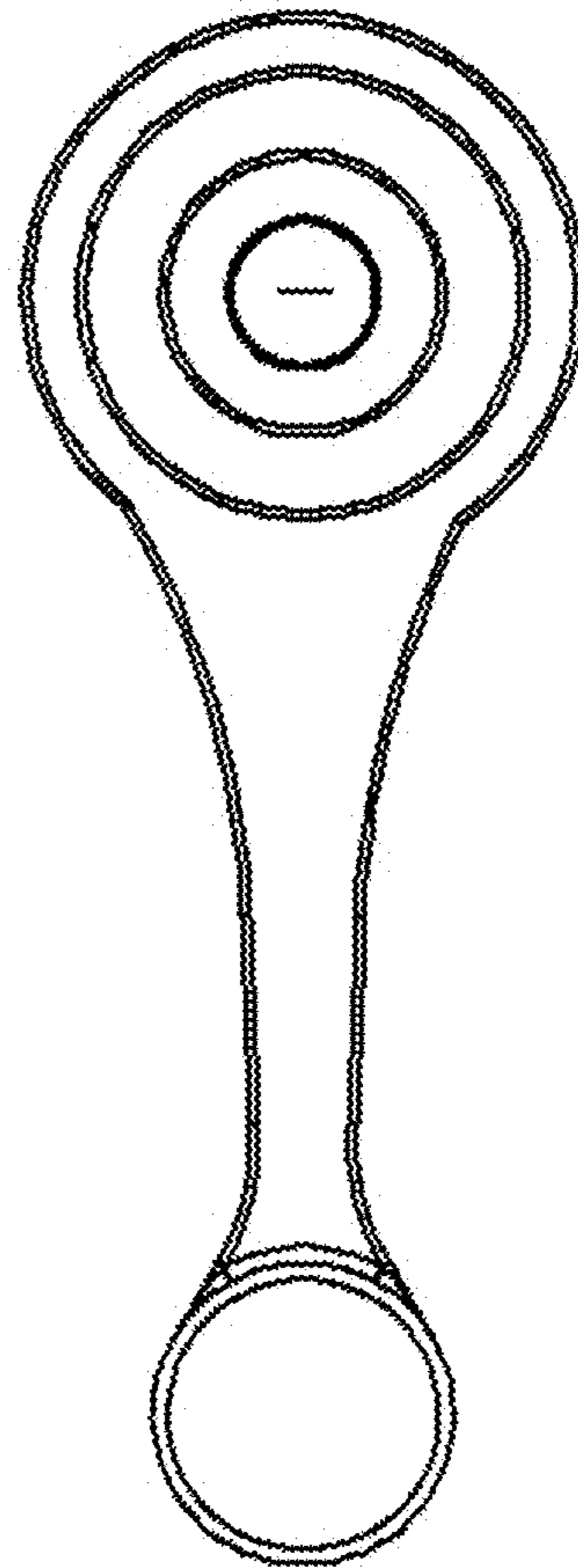


FIG. 5

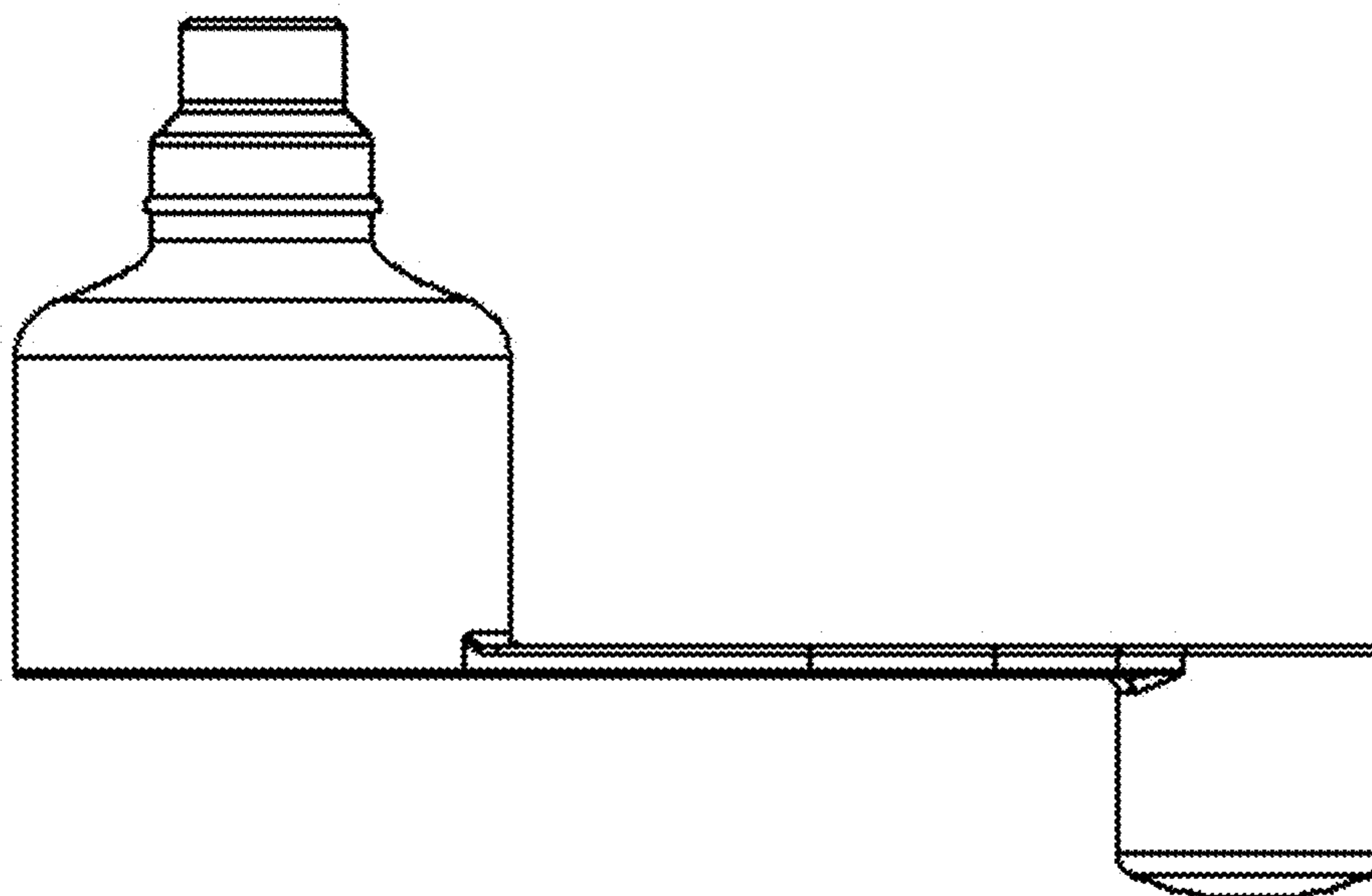


FIG. 6

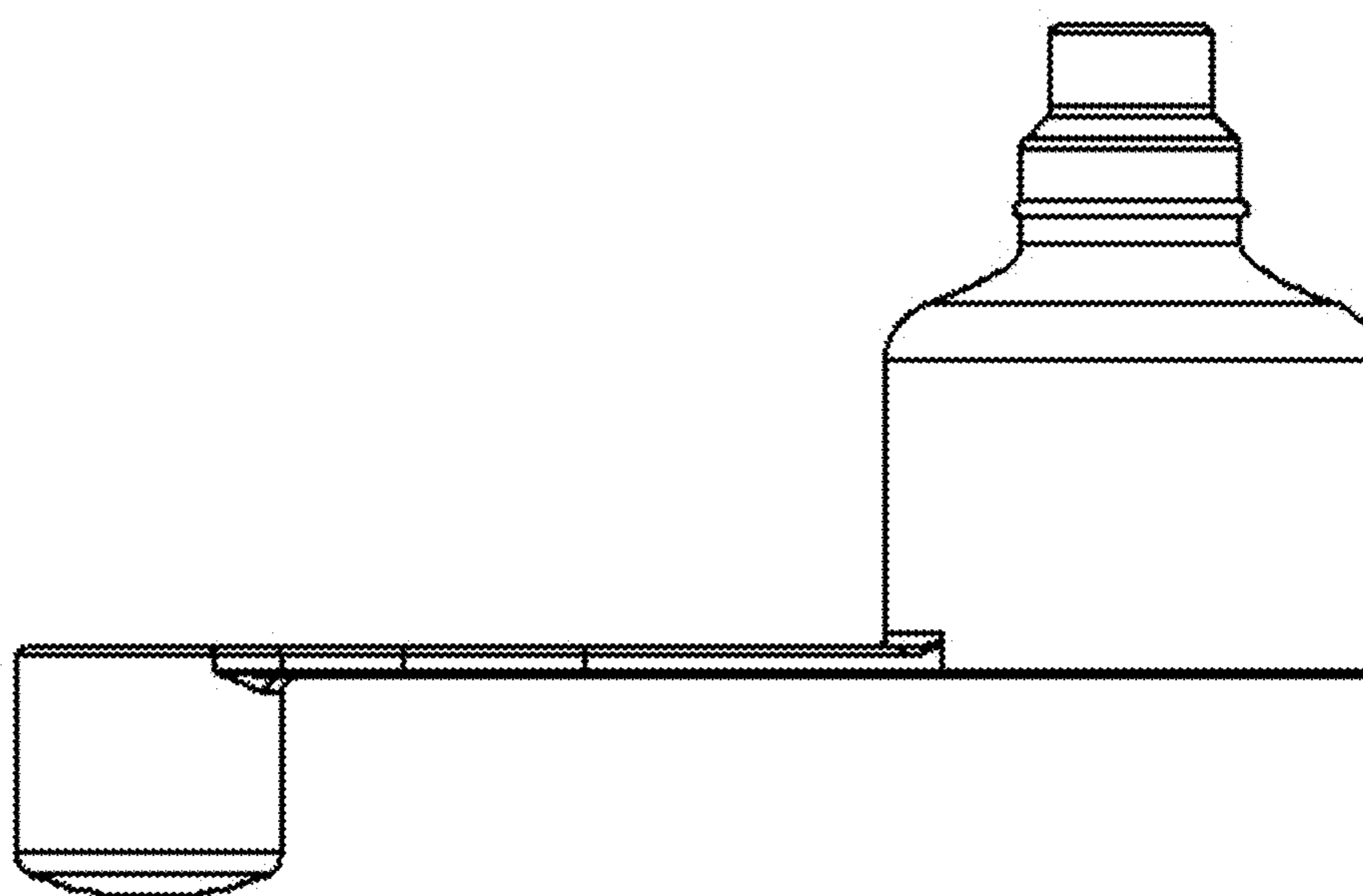


FIG. 7