



US00D915877S

(12) **United States Design Patent**  
**Ischebeck**

(10) **Patent No.:** **US D915,877 S**

(45) **Date of Patent:** **\*\* Apr. 13, 2021**

|  |                   |        |           |       |             |
|--|-------------------|--------|-----------|-------|-------------|
| (54) <b>LOCKNUT</b>  | 5,088,866 A *     | 2/1992 | Ischebeck | ..... | F16B 31/028 |
|  |                   |        |           |       | 116/212     |
| (71) Applicant: <b>FRIEDR. ISCHEBECK GMBH,</b><br>Ennepetal (DE) | D414,405 S *      | 9/1999 | Tompkins  | ..... | D8/396      |
|  | D724,936 S *      | 3/2015 | Coronado  | ..... | D8/397      |
|  | 9,705,256 B1 *    | 7/2017 | Smith     | ..... | H01R 4/26   |
| (72) Inventor: <b>Björn Ischebeck,</b> Ennepetal (DE)            | D794,439 S *      | 8/2017 | Papafagos | ..... | D8/396      |
|  | D850,900 S *      | 6/2019 | Yesavage  | ..... | D8/396      |
| (**) Term: <b>15 Years</b>                                       | 10,784,600 B1 *   | 9/2020 | Smith     | ..... | H02G 3/0616 |
|  | 2018/0263438 A1 * | 9/2018 | Verchick  | ..... | F16B 39/126 |

(21) Appl. No.: **35/508,563**

(22) Filed: **Oct. 31, 2019**

(80) **Hague Agreement Data**

Int. Filing Date: **Oct. 31, 2019**

Int. Reg. No.: **DM/205676**

Int. Reg. Date: **Oct. 31, 2019**

Int. Reg. Pub. Date: **Feb. 14, 2020**

(51) **LOC (13) Cl.** ..... **08-08**

(52) **U.S. Cl.**  
USPC ..... **D8/396; D8/399**

(58) **Field of Classification Search**  
USPC ..... **D8/394-399**  
CPC ..... **F16B 2/00; F16B 2/02; F16B 2/10**  
See application file for complete search history.

(56) **References Cited**

**U.S. PATENT DOCUMENTS**

|               |        |        |       |            |
|---------------|--------|--------|-------|------------|
| 3,179,141 A * | 4/1965 | Folmar | ..... | F16B 39/04 |
|               |        |        |       | 411/293    |
| 4,073,317 A * | 2/1978 | Ellis  | ..... | F16L 3/137 |
|               |        |        |       | 138/147    |

**FOREIGN PATENT DOCUMENTS**

WO WO D205676-001 \* 2/2020

\* cited by examiner

*Primary Examiner* — Deanna L Pratt

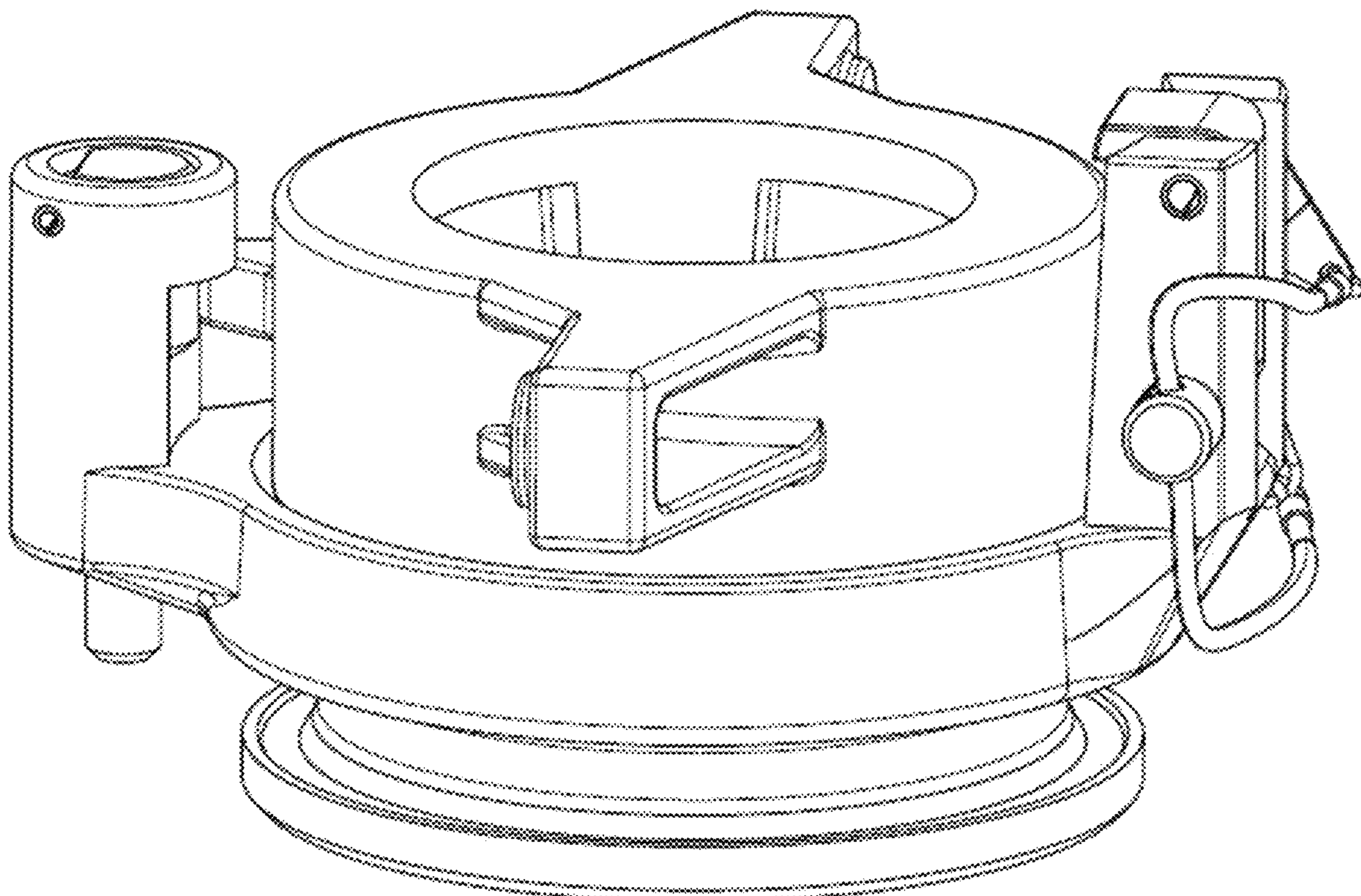
(57) **CLAIM**

The ornamental design for a locknut, as shown and described.

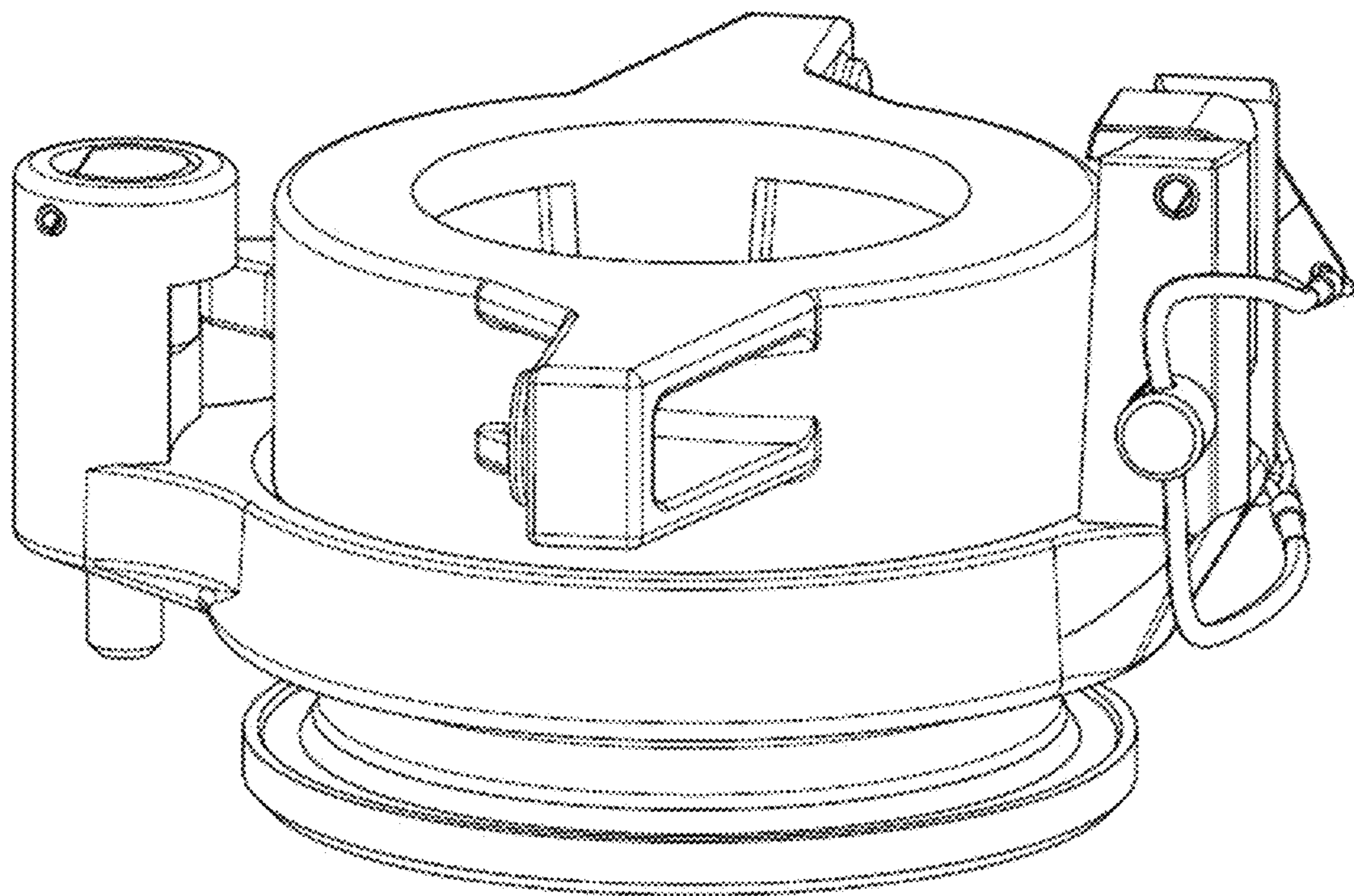
**DESCRIPTION**

- 1. Locknut
- 1.1 : Front
- 1.2 : Back
- 1.3 : Top

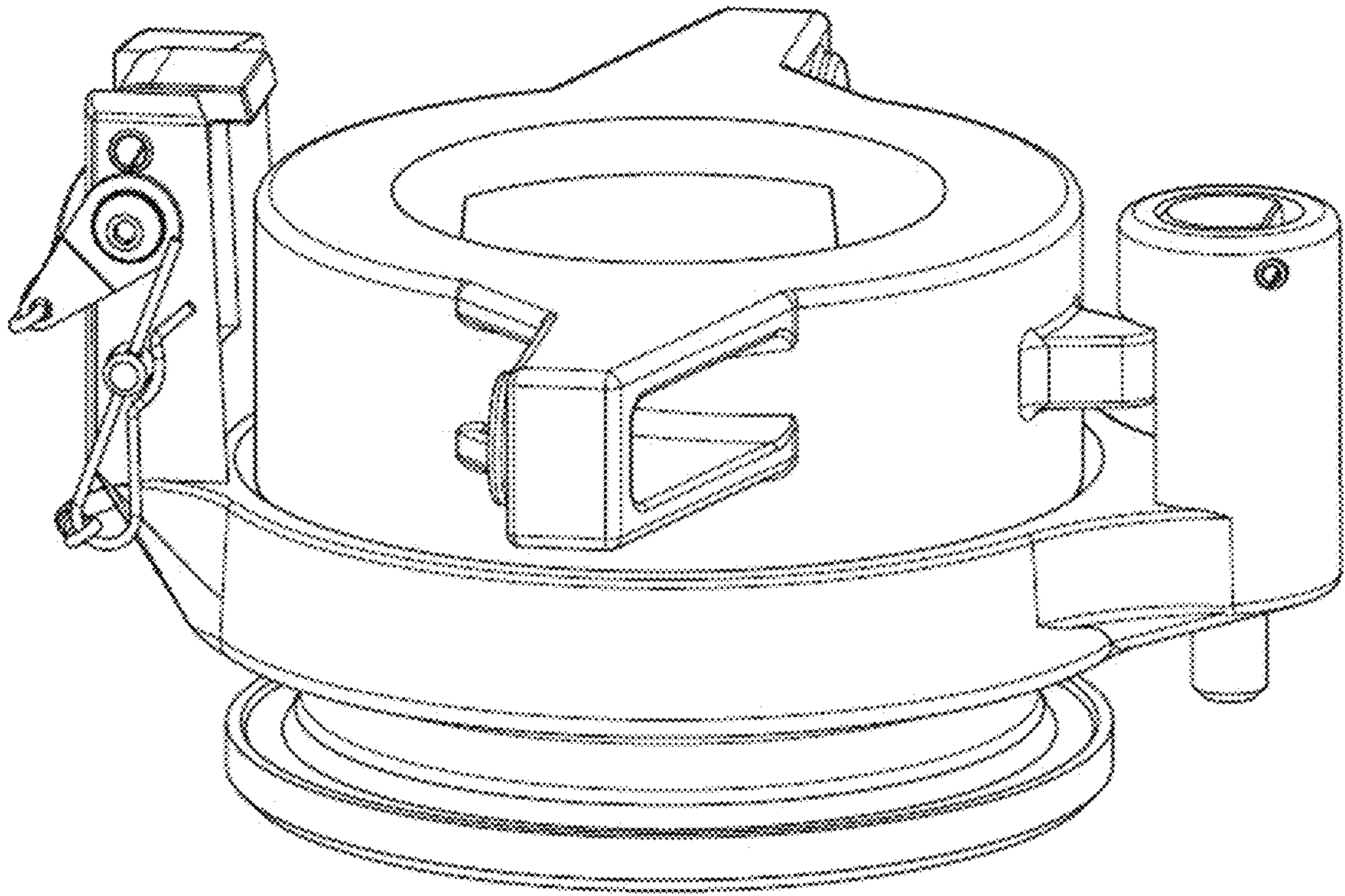
**1 Claim, 3 Drawing Sheets**



1.1



1.2



1.3

