



US00D915876S

(12) **United States Design Patent**
Schwarzmann et al.

(10) **Patent No.:** **US D915,876 S**
(45) **Date of Patent:** **** Apr. 13, 2021**

(54) **FASTENING DEVICE**
(71) Applicant: **Julius Blum GmbH**, Hoechst (AT)
(72) Inventors: **Guenter Schwarzmann**, Dornbirn (AT); **Markus Irgang**, Altach (AT); **Gerald Sperger**, Hard (AT)
(73) Assignee: **JULIUS BLUM GMBH**, Hoechst (AT)
(**) Term: **15 Years**
(21) Appl. No.: **29/653,835**
(22) Filed: **Jun. 19, 2018**

(30) **Foreign Application Priority Data**

Dec. 22, 2017 (EM) 1466296-0001
Dec. 22, 2017 (EM) 1466296-0002
Dec. 22, 2017 (EM) 1466296-0003
Dec. 22, 2017 (EM) 1466296-0004

(51) **LOC (13) Cl.** **08-08**

(52) **U.S. Cl.**
USPC **D8/387**

(58) **Field of Classification Search**
USPC D8/385, 387, 354, 382
CPC F16B 23/00; F16B 23/0007; F16B 25/00;
F16B 35/00; F16B 23/0023; F16B 12/36;
F16B 12/46; F16B 12/10; F16B 12/14;
F16B 12/22; F16B 12/24; F16B 12/30;
A47B 88/941; A47B 2088/902; A47B
2088/954
See application file for complete search history.

(56) **References Cited**

U.S. PATENT DOCUMENTS

D363,878 S * 11/1995 Hayabusa D8/387
D392,179 S * 3/1998 Ropponen D8/387
6,394,724 B1 * 5/2002 Kelly F16B 41/002
411/107
D541,645 S * 5/2007 Hutton D8/387

D542,644 S * 5/2007 Lee D8/387
D585,730 S * 2/2009 Fernandez D8/387
D652,929 S * 1/2012 Sibhatu D24/156
D720,609 S * 1/2015 David D8/387
8,950,833 B2 * 2/2015 Bohle E05D 15/463
312/331
D799,313 S * 10/2017 von Wilcke D8/393
D799,950 S * 10/2017 von Wilcke D8/393
D823,677 S * 7/2018 Tung D8/387
D829,087 S * 9/2018 Law D8/387
D838,582 S * 1/2019 Szucs D8/387
D847,595 S * 5/2019 Hampton D8/14
2002/0006320 A1 * 1/2002 Kupper F16B 12/24
411/383
2012/0054992 A1 * 3/2012 Liu F16B 12/24
24/573.11

(Continued)

Primary Examiner — Sandra Snapp

Assistant Examiner — Ieisha N Price

(74) *Attorney, Agent, or Firm* — Wenderoth, Lind & Ponack, L.L.P.

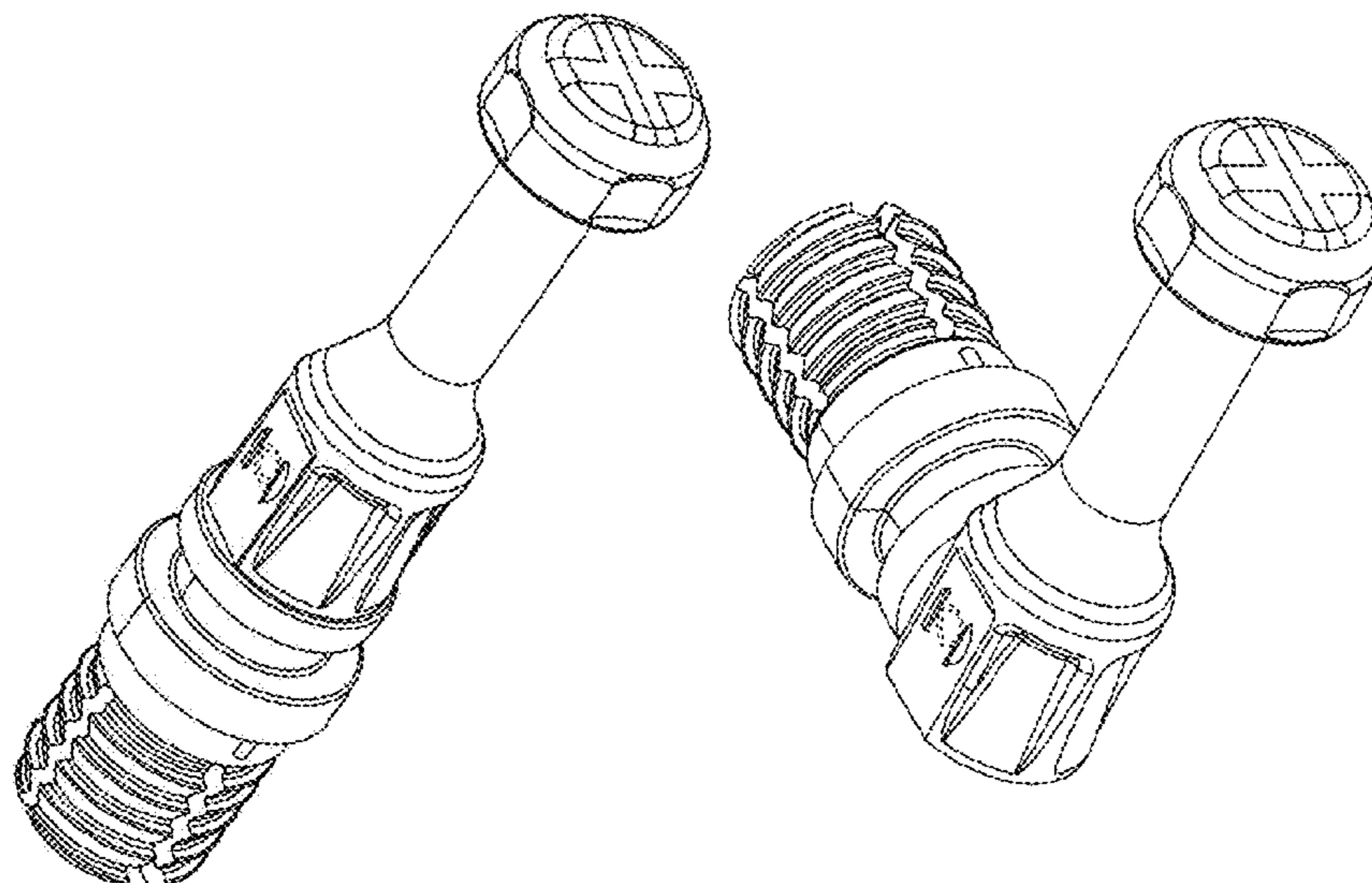
(57) **CLAIM**

The ornamental design for a fastening device, as shown and described.

DESCRIPTION

FIG. 1 is a front perspective view of a fastening device;
FIG. 2 is a front view thereof;
FIG. 3 is a left side view thereof;
FIG. 4 is a right side view thereof;
FIG. 5 is a rear view thereof;
FIG. 6 is a top view thereof;
FIG. 7 is a bottom view thereof;
FIG. 8 is a front perspective view of a fastening device in alternate configuration; and,
FIG. 9 is a left side view thereof.
The broken lines in the drawings illustrate portions of the fastening device and form no part of the claimed design.

1 Claim, 9 Drawing Sheets



(56)

References Cited

U.S. PATENT DOCUMENTS

2013/0014376 A1* 1/2013 Komsitsky F16B 5/0208
29/525.02
2013/0260600 A1* 10/2013 Shibata H01R 13/6215
439/359
2016/0108945 A1* 4/2016 Yang F16B 12/22
403/359.6
2018/0266473 A1* 9/2018 Campbell F16B 23/0007
2018/0372137 A1* 12/2018 Cattaneo A47B 47/042
2019/0024690 A1* 1/2019 Giovannetti F16B 12/2027
2019/0195258 A1* 6/2019 Zimmer F16B 12/24
2019/0242420 A1* 8/2019 Dietrich F16B 12/20

* cited by examiner

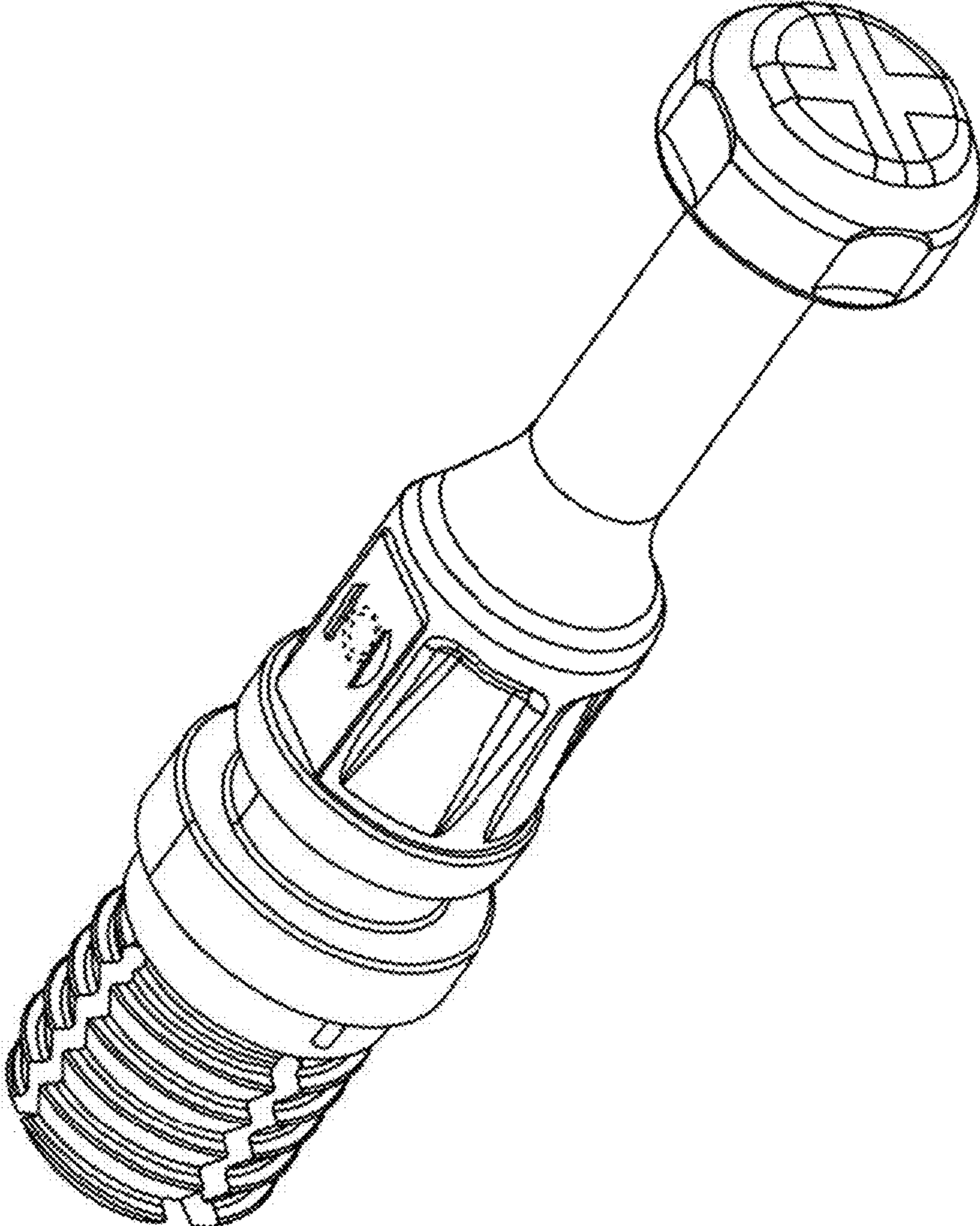


Fig. 1

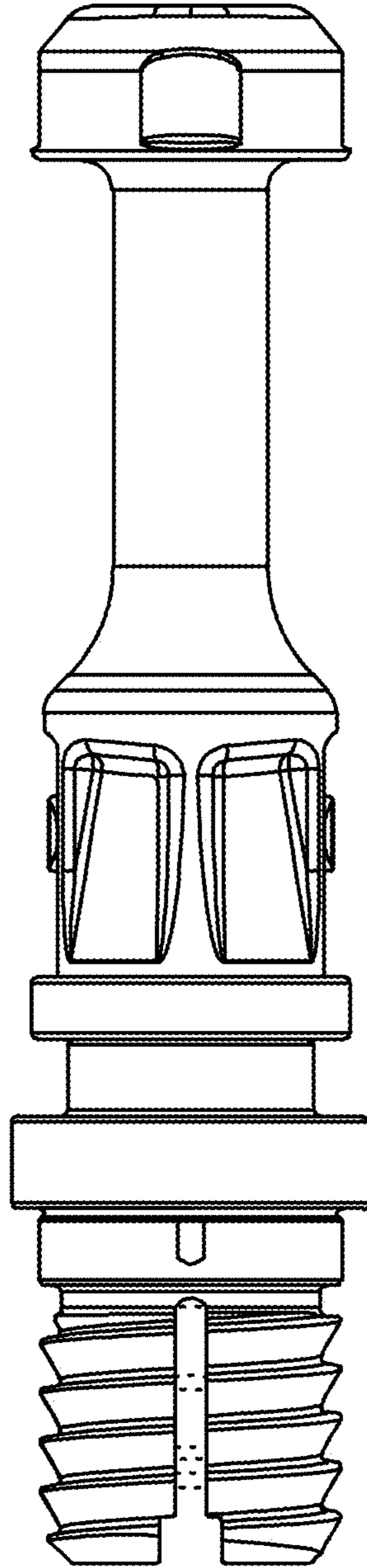


Fig. 2

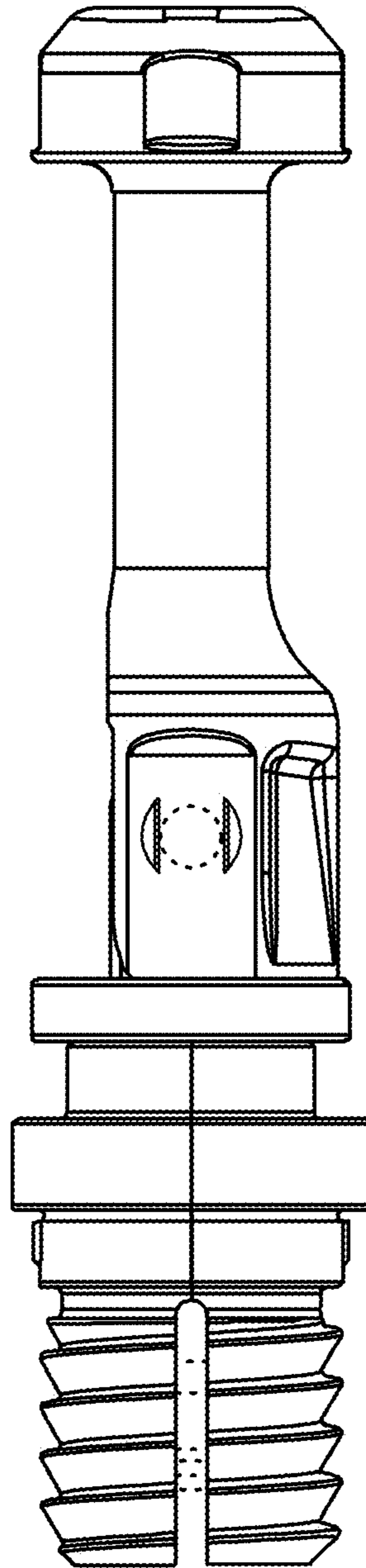


Fig. 3

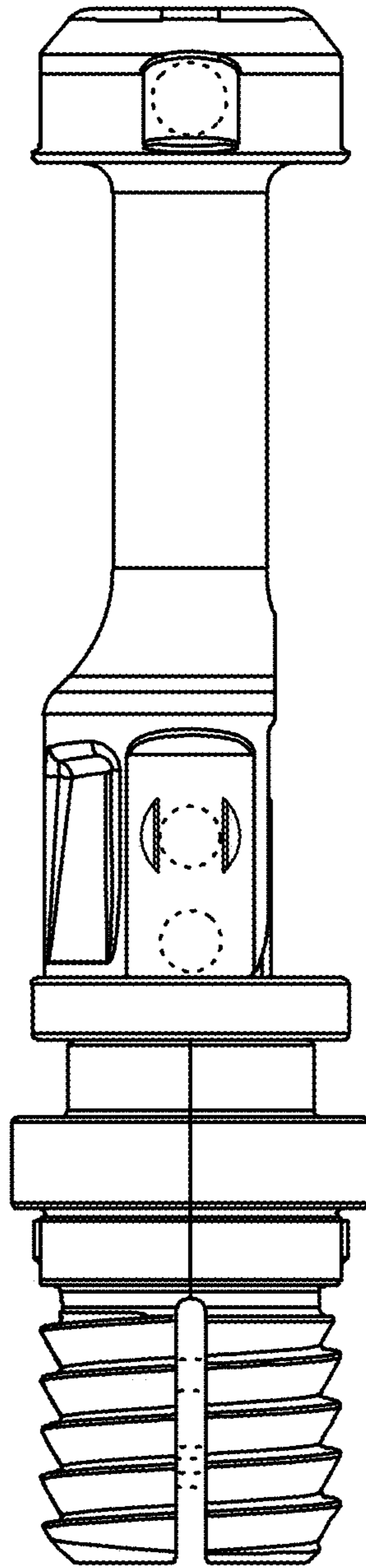


Fig. 4

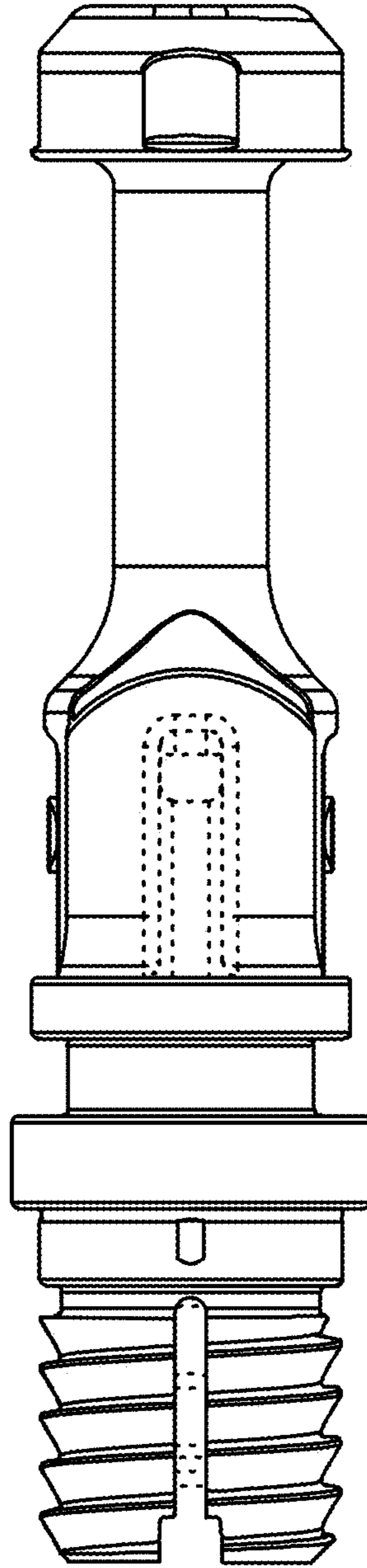


Fig. 5

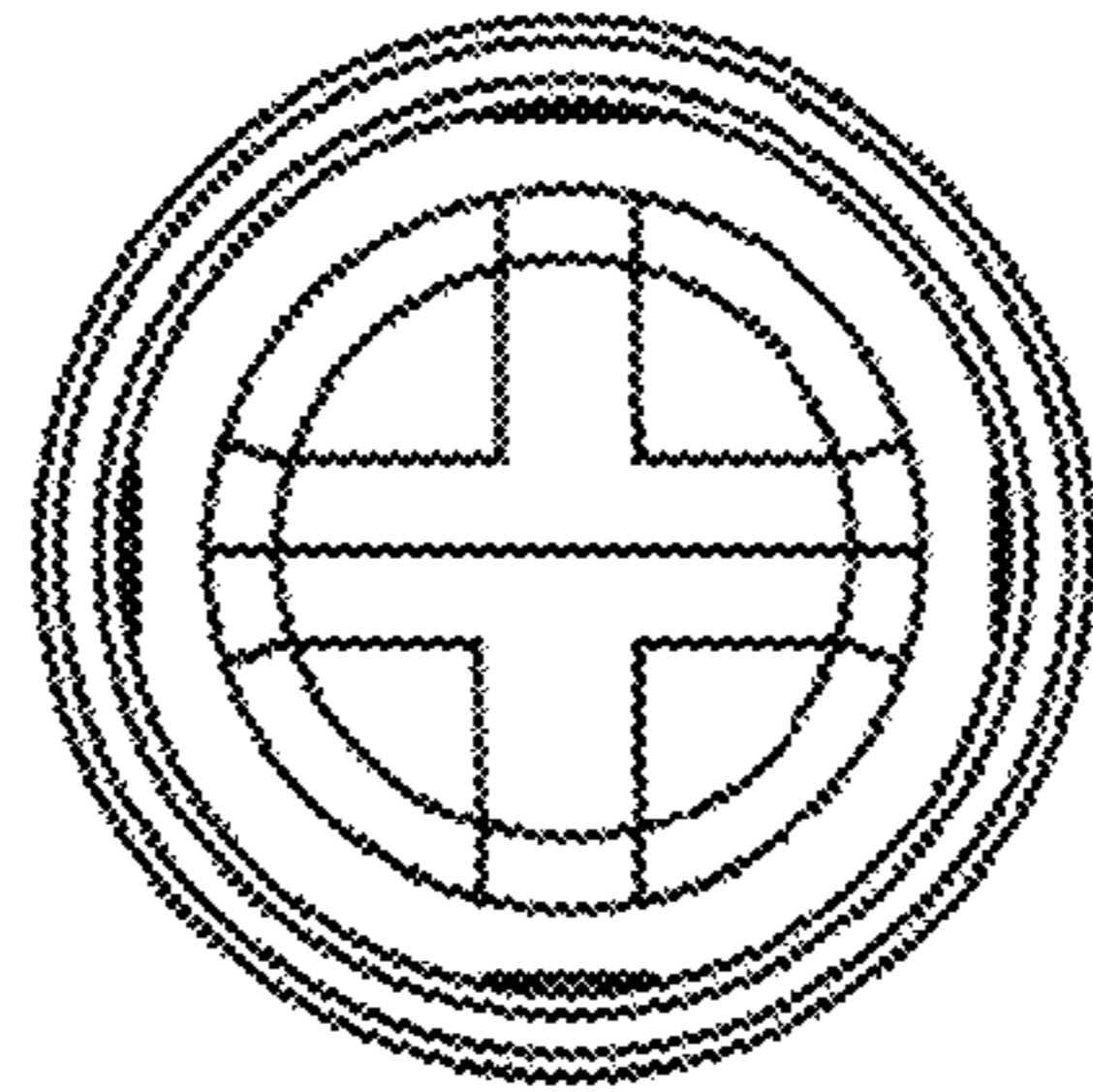


Fig. 6

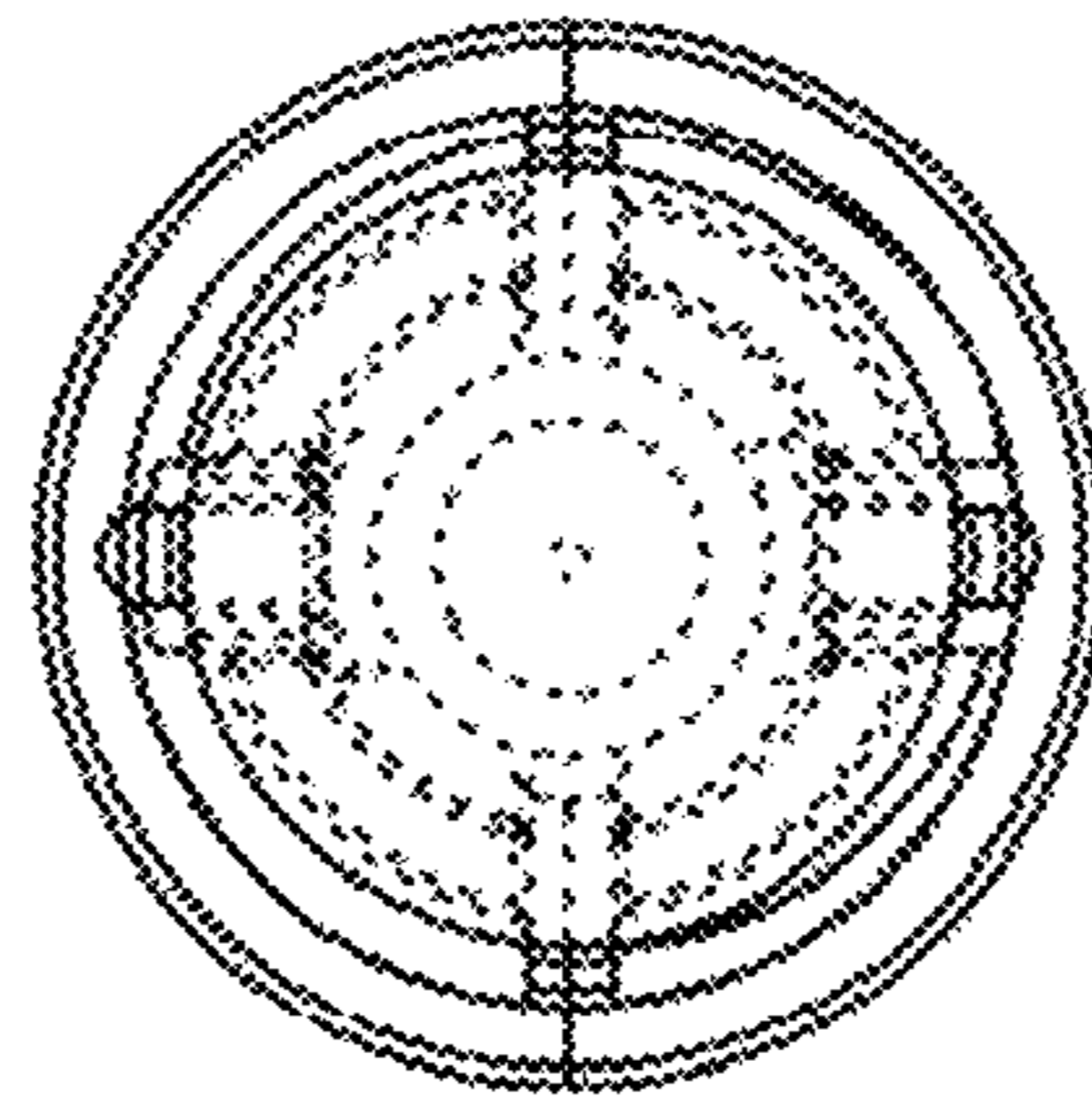


Fig. 7

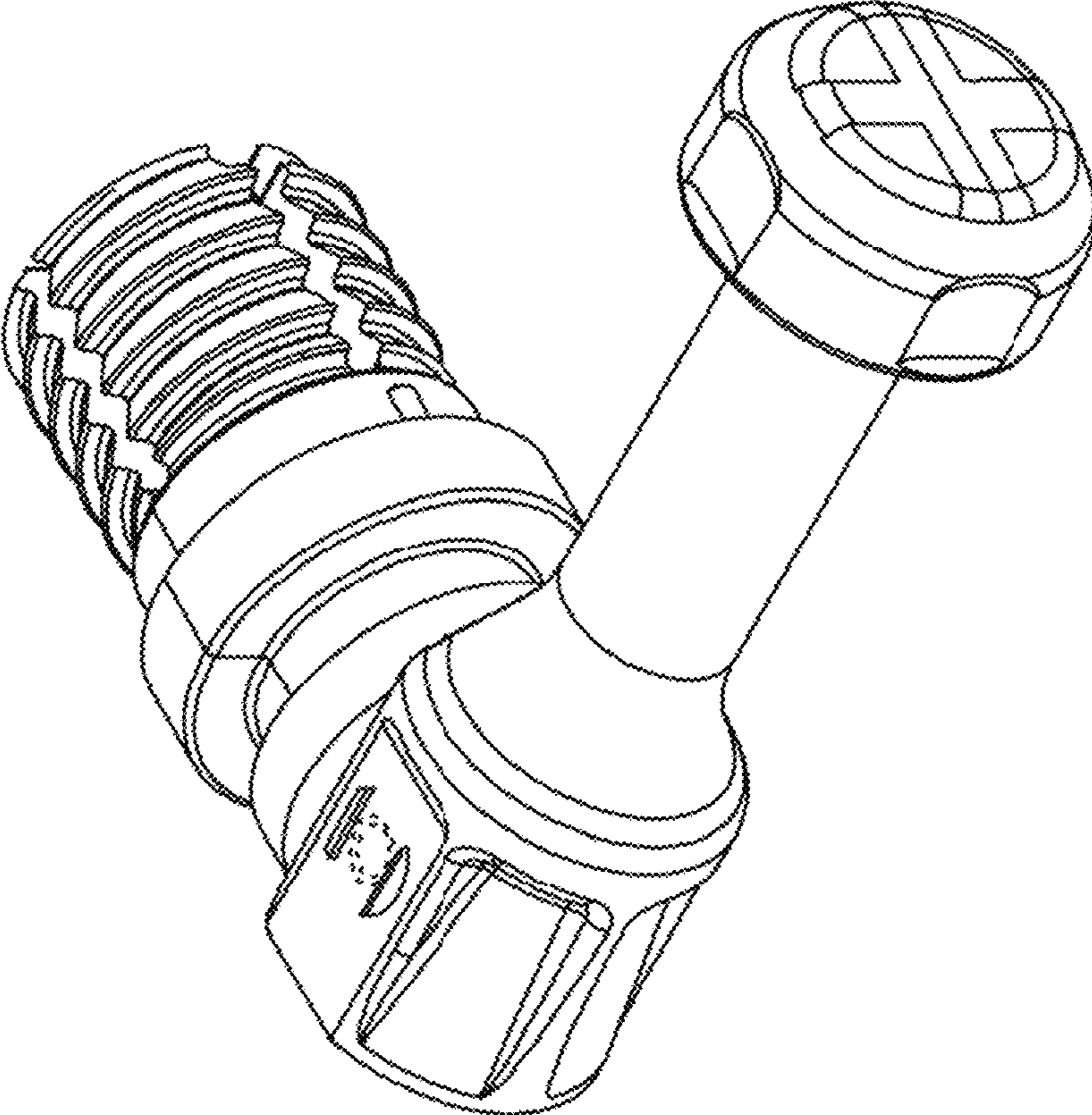


Fig. 8

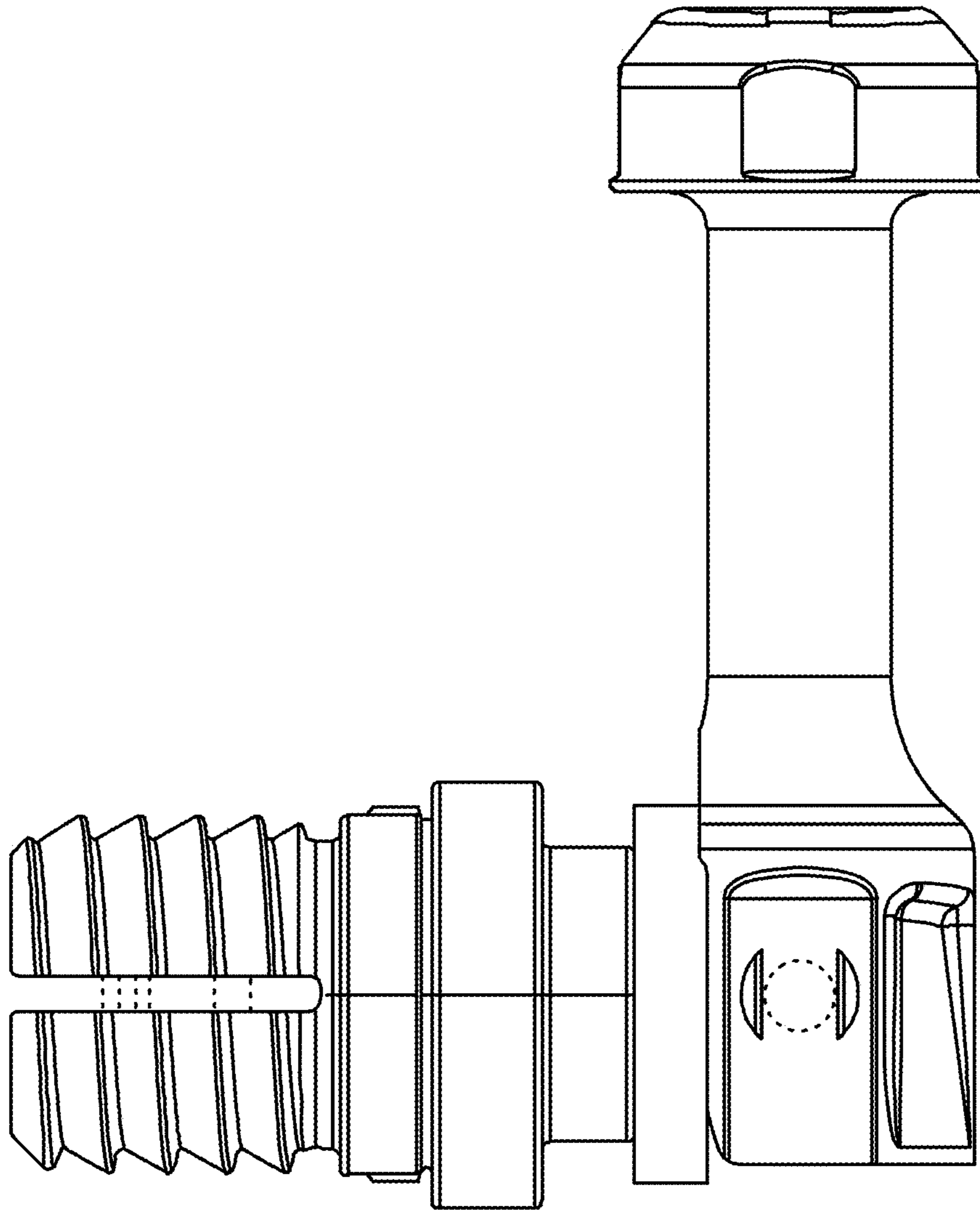


Fig. 9