



US00D915875S

(12) **United States Design Patent**
McDuff

(10) **Patent No.:** **US D915,875 S**
(45) **Date of Patent:** **** Apr. 13, 2021**

- (54) **WALL ANCHOR**
- (71) Applicant: **Cobra Anchors Co. Ltd.**, Montreal (CA)
- (72) Inventor: **Pierre McDuff**, Outremont (CA)
- (73) Assignee: **COBRA ANCHORS CO. LTD.**, Montreal (CA)
- (**) Term: **15 Years**
- (21) Appl. No.: **29/709,827**
- (22) Filed: **Oct. 17, 2019**

- 4,449,873 A * 5/1984 Barth F16B 13/0808
411/341
- 4,502,826 A * 3/1985 Fafard F16B 13/0808
411/340
- D352,656 S * 11/1994 Rodman D8/385
- D481,001 S * 10/2003 Gaudron D12/215
- D651,890 S * 1/2012 Gaudron D8/385
- D829,085 S * 9/2018 Daly D8/382
- 10,465,729 B2 * 11/2019 Daly F16B 13/0808
- 2004/0170486 A1 * 9/2004 DeMeo F16B 13/0808
411/340
- 2005/0117996 A1 * 6/2005 Lemire E04F 13/0832
411/340
- 2005/0207861 A1 * 9/2005 Leatherman F16B 13/00
411/15

(Continued)

Related U.S. Application Data

- (62) Division of application No. 29/607,854, filed on Jun. 16, 2017, now Pat. No. Des. 871,900.

Foreign Application Priority Data

- Jun. 6, 2017 (CA) CA 175261
- (51) **LOC (13) Cl.** **08-08**
- (52) **U.S. Cl.**
USPC **D8/385**
- (58) **Field of Classification Search**
USPC D8/367, 388, 391, 382, 387, 384, 385,
D8/392
CPC .. A47G 1/16; A47G 1/20; F16B 13/00; F16B
2013/007; F16B 13/14; F16B 13/06;
F16B 13/128; F16B 13/08; F16B
13/0808; F16B 2021/14; F16B 21/16;
F16B 21/082; F16B 33/00; F16B 35/00;
E04B 2002/0243; E04B 2002/0245; Y10S
411/904; Y10S 411/908
See application file for complete search history.

References Cited

U.S. PATENT DOCUMENTS

- 1,145,423 A * 7/1915 Joseph F16B 13/0808
411/340
- 4,043,245 A * 8/1977 Kaplan F16B 37/04
411/346

Primary Examiner — Sandra Snapp

Assistant Examiner — Ieisha N Price

(74) *Attorney, Agent, or Firm* — Benoit & Côté Inc.;
Michel Sofia

CLAIM

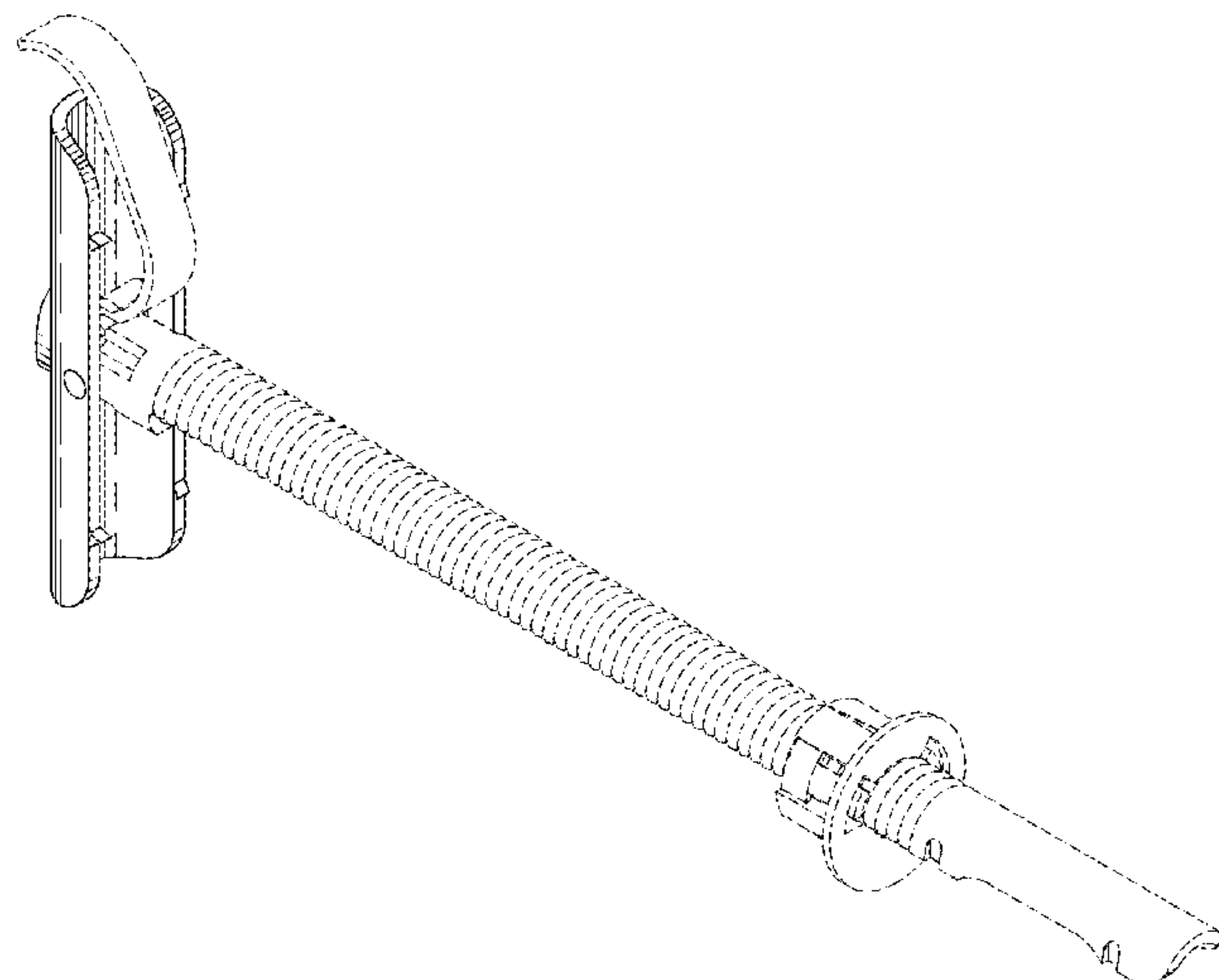
(57)

I claim the ornamental design for a wall anchor, as shown and described.

DESCRIPTION

FIG. 1 is a perspective view of our ornamental design of the wall anchor;
 FIG. 2 is a left side view of the wall anchor of FIG. 1, the opposite view being a mirror image thereof;
 FIG. 3 is a top plan view of the wall anchor of FIG. 1;
 FIG. 4 is a bottom plan view of the wall anchor of FIG. 1;
 FIG. 5 is a rear view of the wall anchor of FIG. 1; and,
 FIG. 6 is a front view of the wall anchor of FIG. 1.
 The broken lines in the drawings illustrate portions of the wall anchor and form no part of the claimed design.

1 Claim, 4 Drawing Sheets



(56)

References Cited

U.S. PATENT DOCUMENTS

2006/0088399 A1* 4/2006 DeMeo F16B 13/0808
411/340
2008/0253860 A1* 10/2008 McDuff F16B 13/003
411/344
2009/0208310 A1* 8/2009 Ikuta F16B 13/0808
411/344
2011/0225793 A1* 9/2011 Daniels A63B 29/024
29/428
2011/0268528 A1* 11/2011 Gaudron F16B 13/0808
411/44
2012/0328392 A1* 12/2012 Difante F16B 13/0808
411/342
2013/0031771 A1* 2/2013 Henneberry F16B 13/0808
29/525.02
2017/0307000 A1* 10/2017 Daly F16B 13/0808
2017/0314600 A1* 11/2017 Daly F16B 13/0808
2018/0252250 A1* 9/2018 Daly F16B 13/0808
2018/0335064 A1* 11/2018 Wilson F16M 13/02
2018/0372139 A1* 12/2018 Daly F16B 13/0808
2019/0040895 A1* 2/2019 Grant F16B 13/0808
2019/0107136 A1* 4/2019 Daly F16B 13/0808
2019/0331147 A1* 10/2019 McDuff F16B 13/002

* cited by examiner

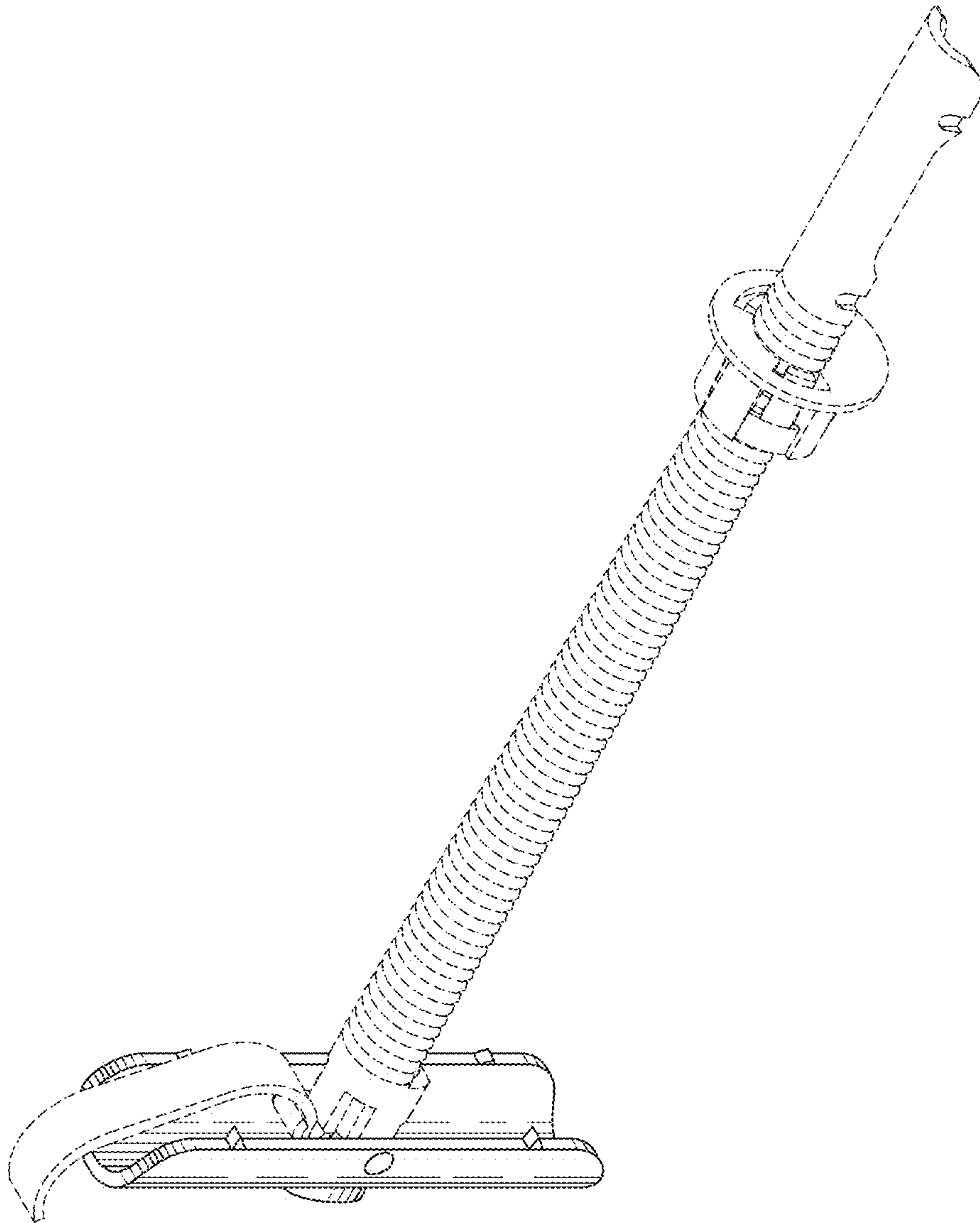


FIG. 1

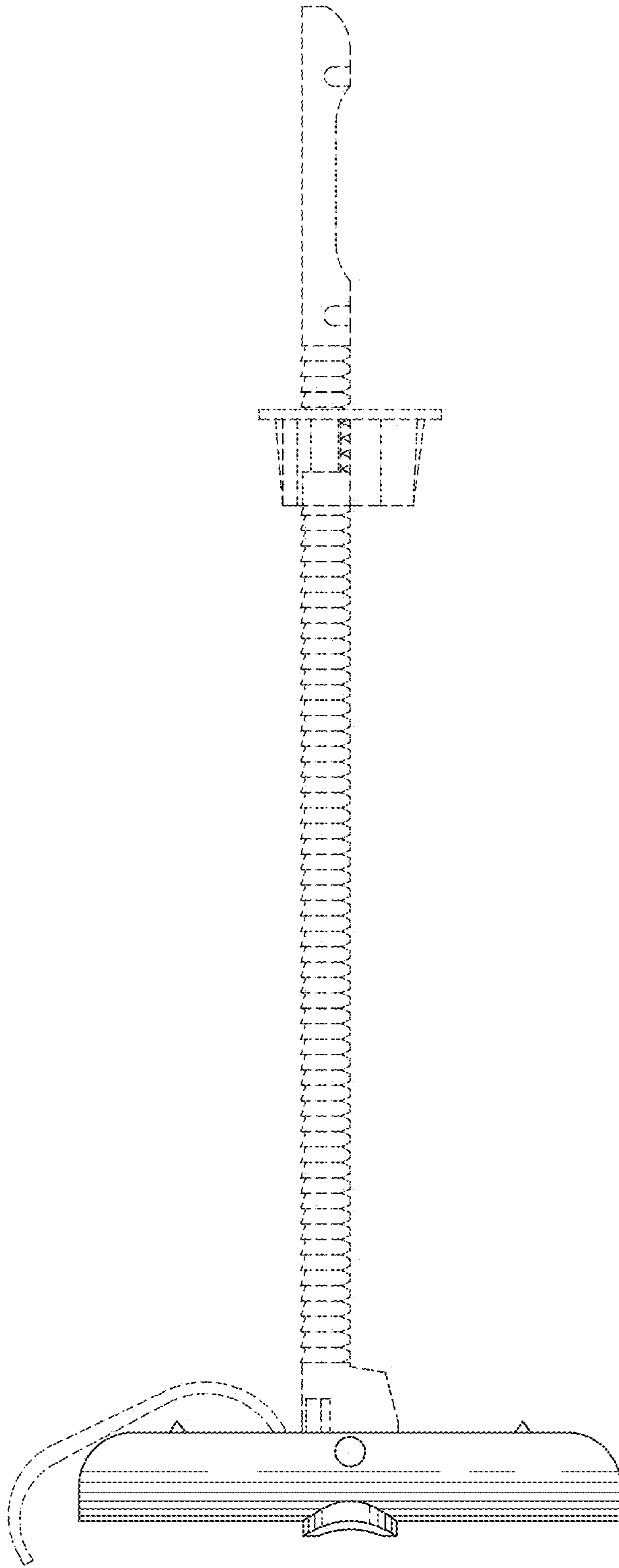


FIG. 2

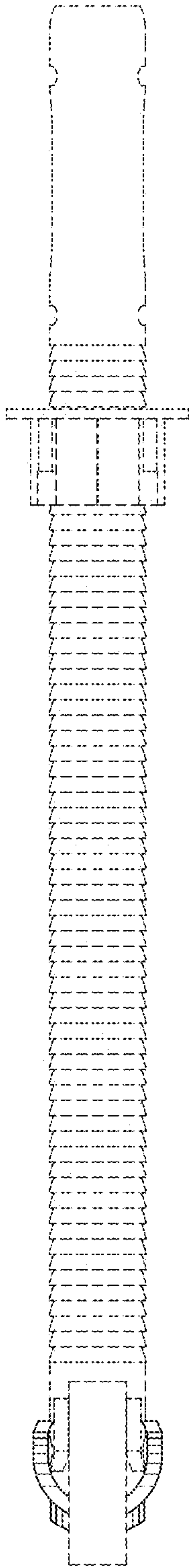


FIG. 3

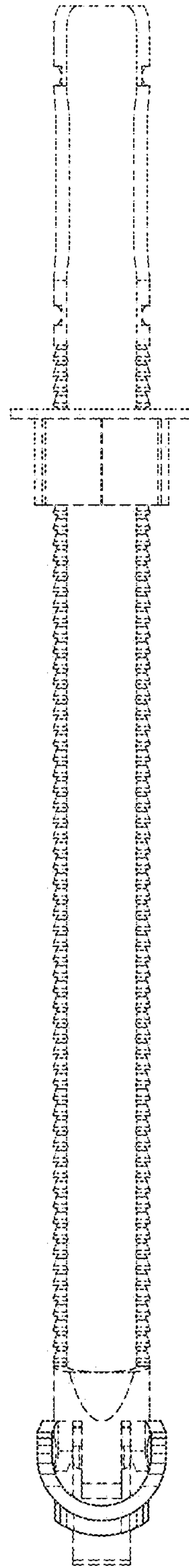


FIG. 4

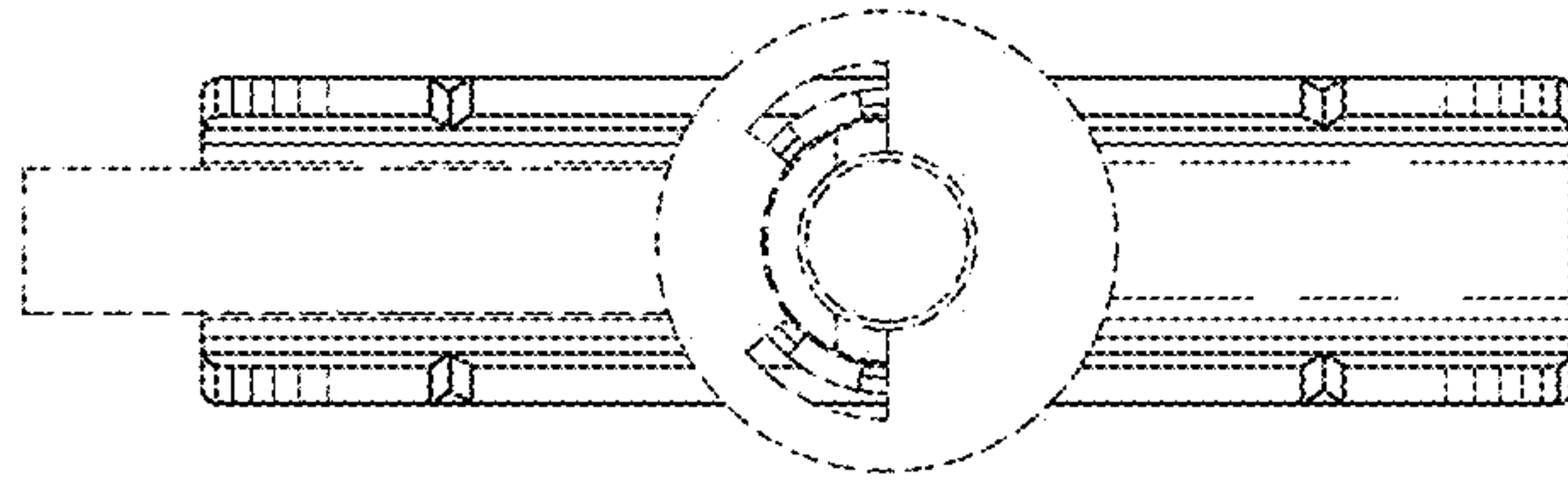


FIG. 4

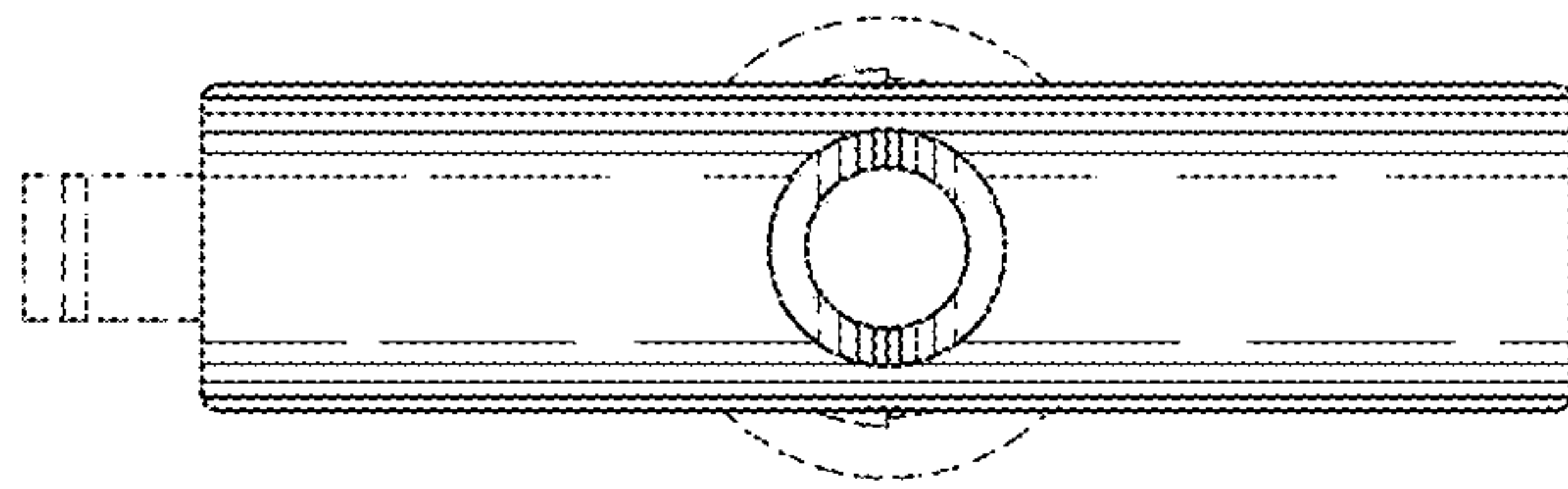


FIG. 5