



US00D915874S

(12) **United States Design Patent**  
**Locatell**

(10) **Patent No.:** **US D915,874 S**  
(45) **Date of Patent:** **\*\* Apr. 13, 2021**

- (54) **REMOVABLE FORM TIE**
- (71) Applicant: **Frank Locatell**, Arcadia, CA (US)
- (72) Inventor: **Frank Locatell**, Arcadia, CA (US)
- (\*\*) Term: **15 Years**
- (21) Appl. No.: **29/746,219**
- (22) Filed: **Aug. 12, 2020**
- (51) **LOC (13) Cl.** ..... **08-08**
- (52) **U.S. Cl.**  
USPC ..... **D8/384**
- (58) **Field of Classification Search**  
USPC ..... D8/384, 349, 354, 382, 381, 364  
CPC ..... E04G 17/0752; E04G 17/14; E04G  
2017/0627; E04G 17/0751; E04G 17/06;  
E04B 2/8652; E04B 2002/8688  
See application file for complete search history.

- D422,886 S 4/2000 Shea
- D502,388 S \* 3/2005 Cortez ..... D8/356
- D536,952 S 2/2007 Vejmarker
- 7,174,690 B2 2/2007 Zadeh
- 7,229,051 B2 6/2007 Mailhot, Jr.
- D547,163 S \* 7/2007 Xayoiphonh ..... D8/363
- D547,164 S \* 7/2007 Xayoiphonh ..... D8/363
- 7,429,023 B2 \* 9/2008 Morrow ..... E04B 1/003  
248/200
- D587,046 S 2/2009 Liss
- D587,100 S \* 2/2009 Allsopp ..... D8/356
- D621,691 S 8/2010 Tezak
- D628,460 S \* 12/2010 Seitz ..... D8/354

(Continued)

(56) **References Cited**

**U.S. PATENT DOCUMENTS**

- 2,055,285 A 9/1936 Newell
- 2,398,219 A \* 4/1946 Geer ..... E04G 17/0752  
403/388
- 4,074,486 A 2/1978 Grearson
- D248,274 S 6/1978 Kingston
- D272,414 S \* 1/1984 Barnes ..... D8/363
- 4,706,429 A 11/1987 Young
- 4,726,560 A 2/1988 Dotson
- 4,901,497 A \* 2/1990 Lee ..... E04G 17/14  
52/578
- 4,936,540 A 6/1990 Boeshart
- D357,855 S 5/1995 Keith
- D371,506 S 7/1996 Nofziger
- D375,718 S \* 11/1996 Lazzeroni ..... D12/114
- D375,892 S \* 11/1996 Kraemer, Jr. .... D8/384
- D378,049 S 2/1997 Boeshart
- 5,642,597 A 7/1997 Hendrickson
- D384,924 S \* 10/1997 Hanson ..... D12/162
- D387,970 S \* 12/1997 Enslen ..... D8/349
- D410,381 S \* 6/1999 Johnson, III ..... D20/27

**OTHER PUBLICATIONS**

Concrete Tie, Product Manual dated 1998, Introduction to Chapter 2 (65 total pages).

*Primary Examiner* — Sandra Snapp

*Assistant Examiner* — Ieisha N Price

(74) *Attorney, Agent, or Firm* — Todd R. Miller

(57) **CLAIM**

The ornamental design for a removable form tie, as shown and described.

**DESCRIPTION**

FIG. 1 is a perspective view embodying the inventive design;

FIG. 2 is a front view thereof;

FIG. 3 is a left view thereof;

FIG. 4 is a right view thereof;

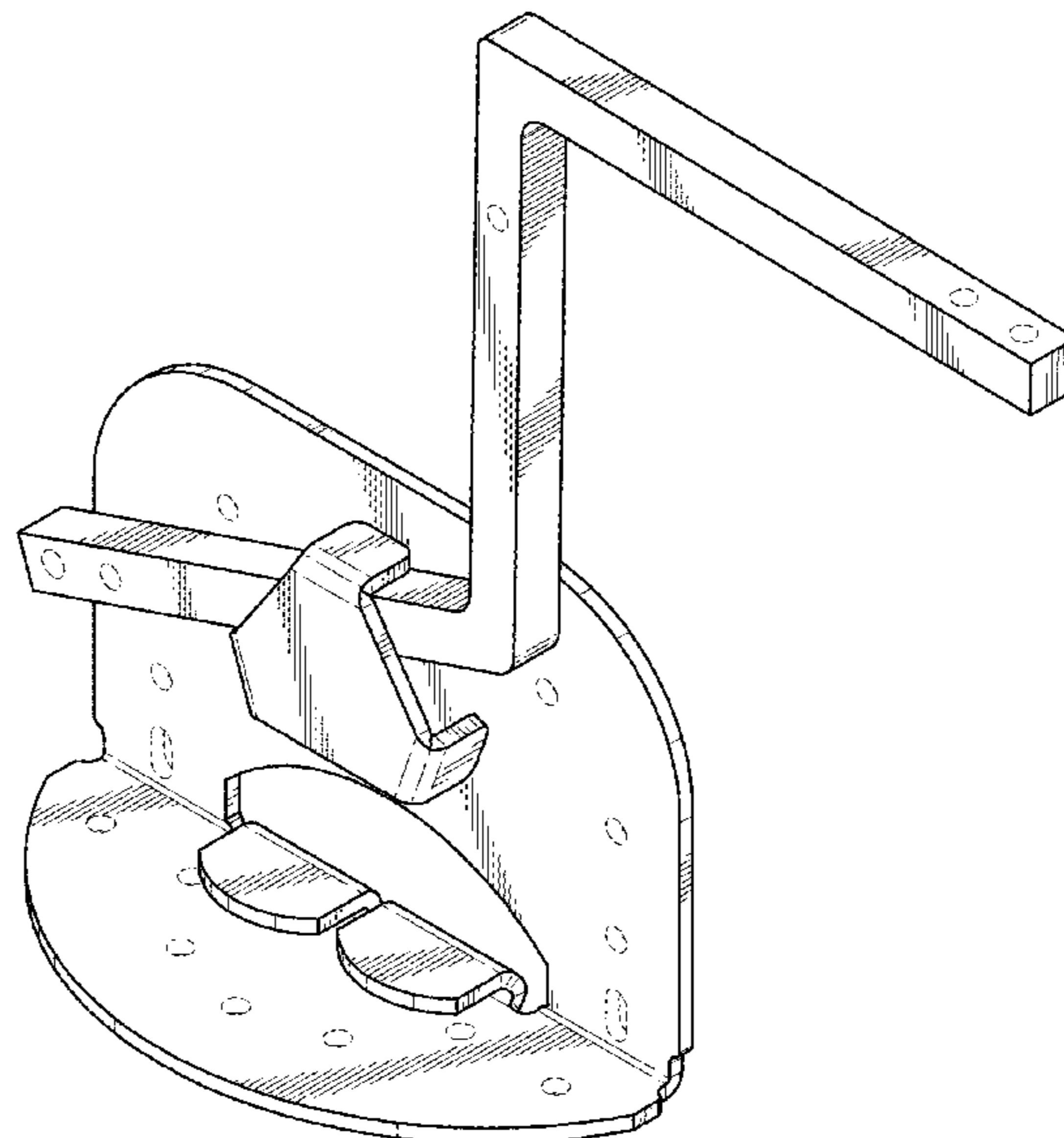
FIG. 5 is a rear view thereof;

FIG. 6 is a top view thereof; and,

FIG. 7 is a bottom view thereof.

The broken lines in the drawings illustrate portions of the Removable Form Tie and form no part of the claimed design.

**1 Claim, 5 Drawing Sheets**



(56)

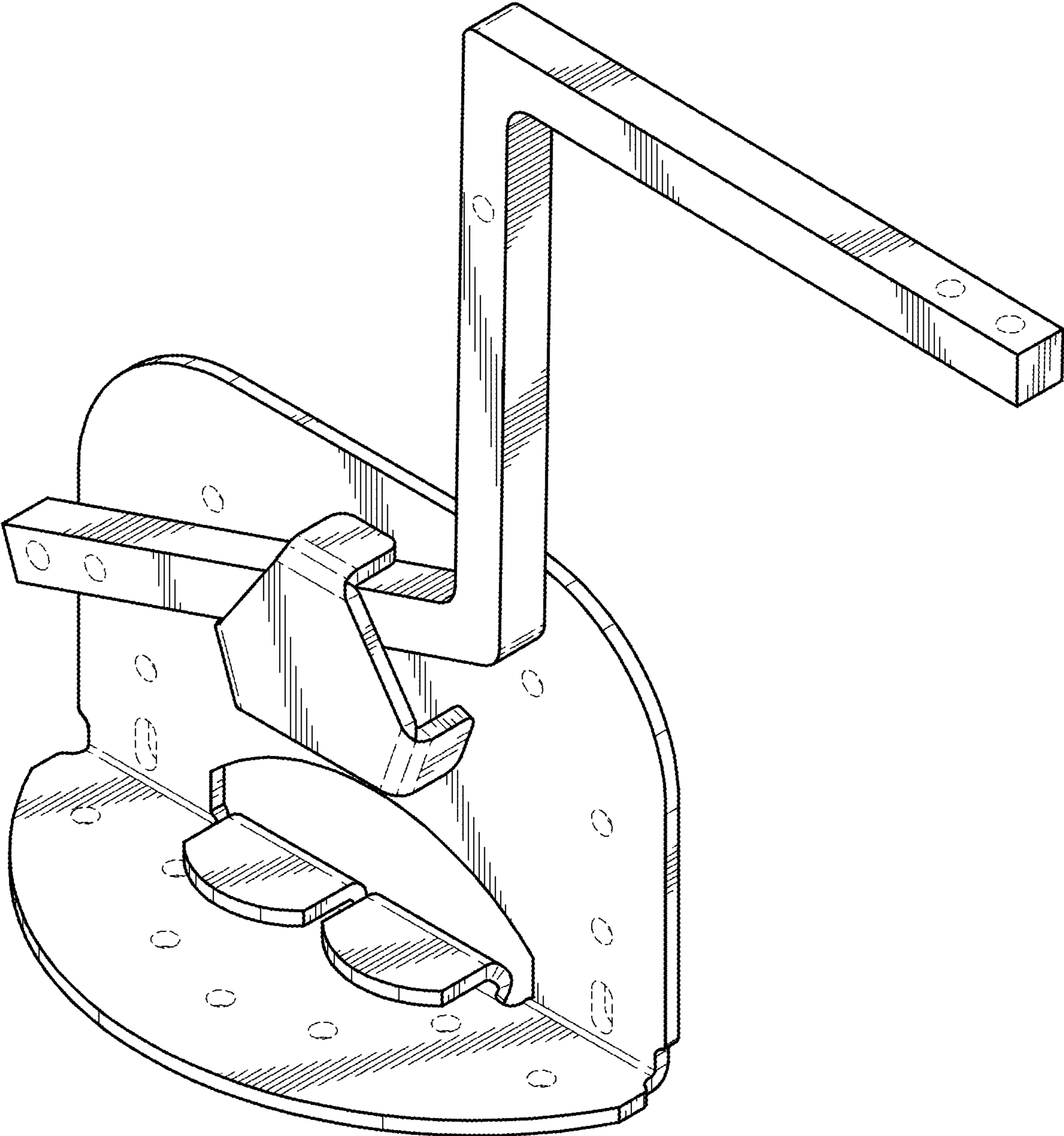
References Cited

U.S. PATENT DOCUMENTS

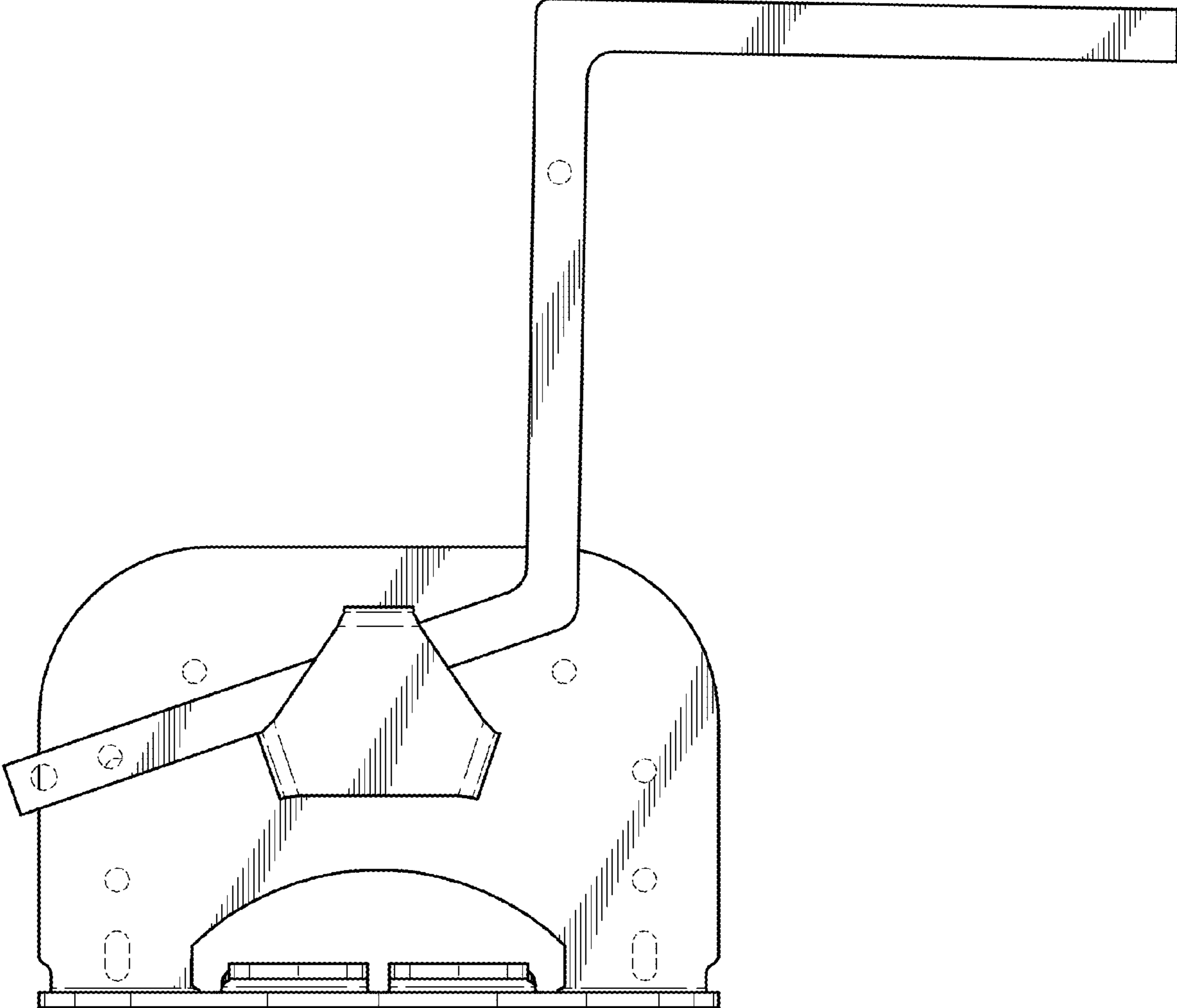
|              |    |   |         |                             |                       |
|--------------|----|---|---------|-----------------------------|-----------------------|
| D628,539     | S  | * | 12/2010 | Tezak .....                 | D13/152               |
| D644,503     | S  |   | 9/2011  | Crane                       |                       |
| D649,016     | S  | * | 11/2011 | Rasmussen .....             | D8/354                |
| 8,181,419    | B1 |   | 5/2012  | diGirolamo                  |                       |
| D667,288     | S  |   | 9/2012  | Preda                       |                       |
| D667,289     | S  |   | 9/2012  | Preda                       |                       |
| 8,763,982    | B1 |   | 7/2014  | Murrell                     |                       |
| D730,545     | S  |   | 5/2015  | Stauffer                    |                       |
| D732,708     | S  |   | 6/2015  | Stauffer                    |                       |
| 9,091,056    | B2 |   | 7/2015  | Stauffer                    |                       |
| 9,523,196    | B2 | * | 12/2016 | Rice .....                  | E04C 3/09             |
| D781,689     | S  | * | 3/2017  | Darby .....                 | D8/381                |
| D794,420     | S  | * | 8/2017  | Emmons .....                | D8/349                |
| D798,137     | S  |   | 9/2017  | Locatell                    |                       |
| D807,160     | S  |   | 1/2018  | Locatell                    |                       |
| D808,785     | S  |   | 1/2018  | Locatell                    |                       |
| 10,323,423   | B2 |   | 6/2019  | Locatell                    |                       |
| D863,040     | S  | * | 10/2019 | DeDios-Shirley .....        | D8/354                |
| D899,897     | S  | * | 10/2020 | Gustafsson Salmonsson ..... | D8/354                |
|              |    |   |         |                             | D8/354                |
| D906,788     | S  | * | 1/2021  | Ochi .....                  | D8/354                |
| 2003/0126820 | A1 |   | 7/2003  | Callahan                    |                       |
| 2007/0120031 | A1 | * | 5/2007  | Rasmussen .....             | E06B 9/50<br>248/266  |
| 2007/0199274 | A1 |   | 8/2007  | Rice                        |                       |
| 2008/0265128 | A1 | * | 10/2008 | Hughes .....                | E04G 13/00<br>249/190 |
| 2009/0077910 | A1 | * | 3/2009  | Gordon .....                | E06B 1/60<br>52/213   |
| 2016/0258170 | A1 |   | 9/2016  | Cymbala                     |                       |
| 2018/0258654 | A1 | * | 9/2018  | Locatell .....              | E04G 11/12            |
| 2019/0010715 | A1 | * | 1/2019  | Koszo .....                 | E04G 17/042           |
| 2020/0018020 | A1 | * | 1/2020  | White .....                 | E01C 19/502           |

\* cited by examiner

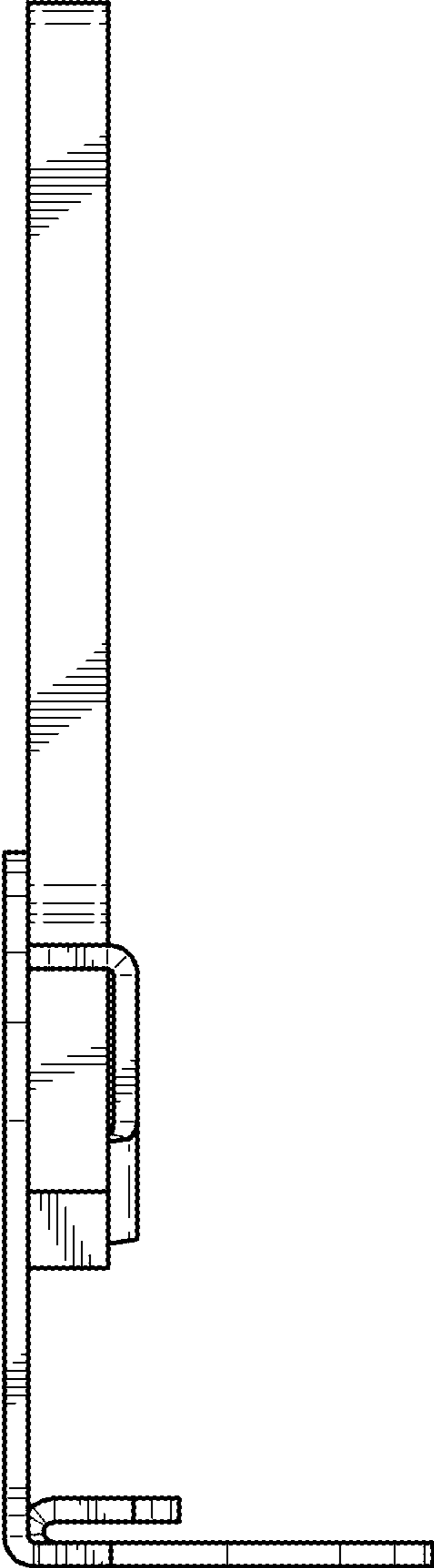
**FIG. 1**



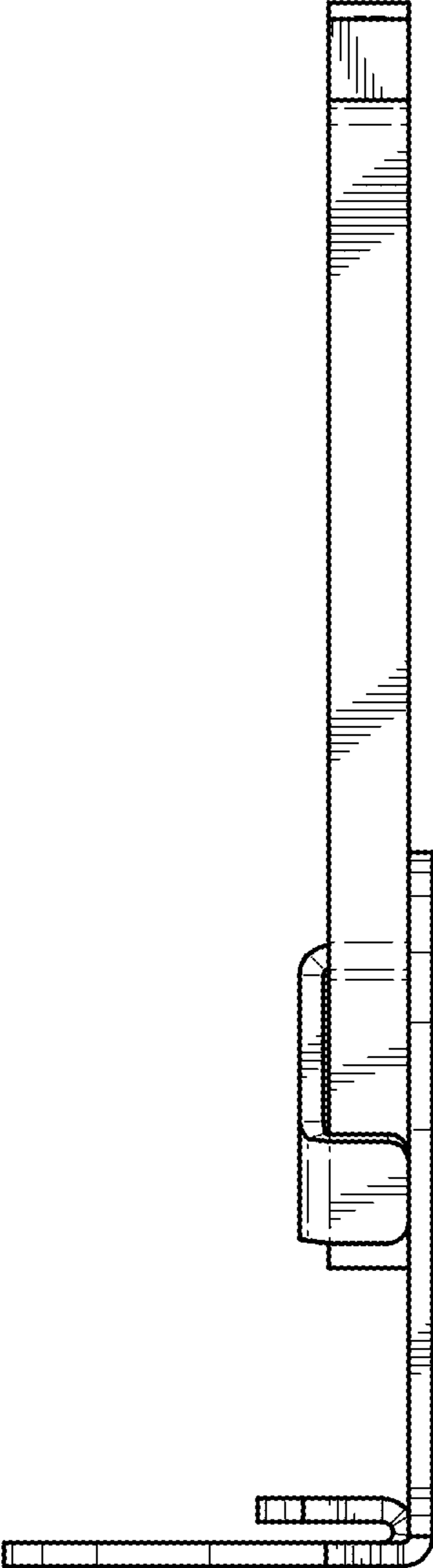
**FIG. 2**



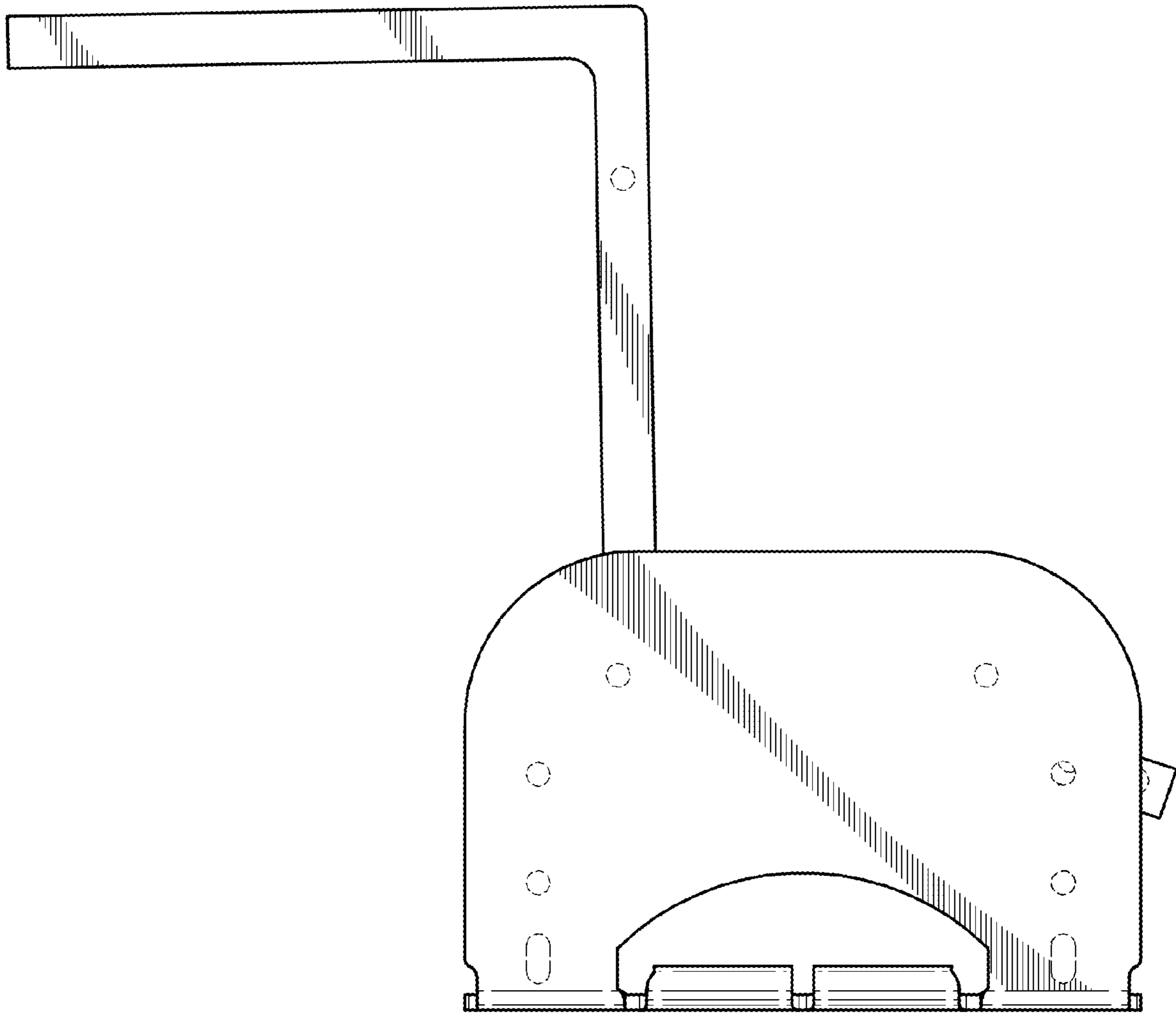
**FIG. 3**



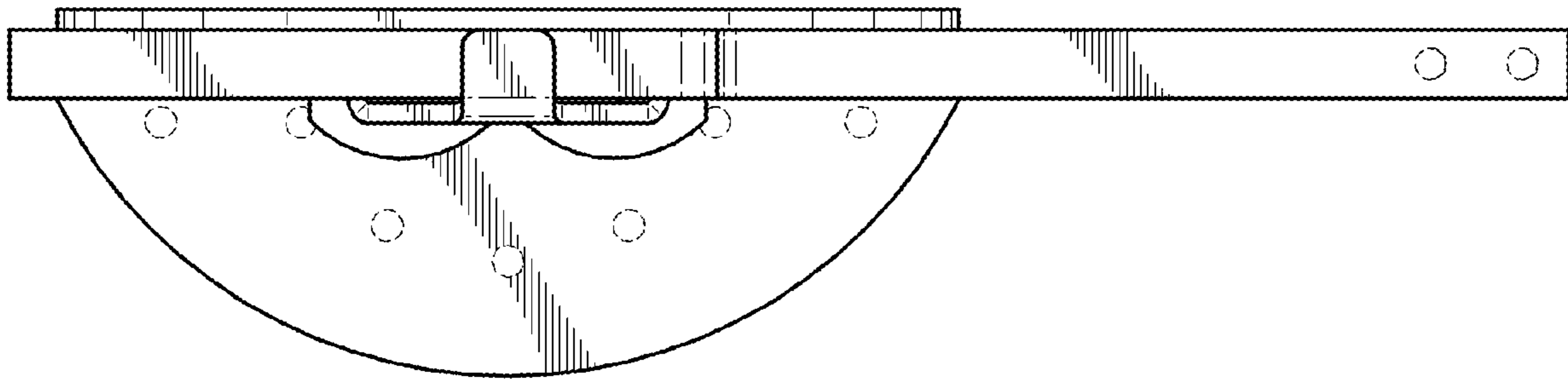
**FIG. 4**



*FIG. 5*



**FIG. 6**



**FIG. 7**

