



US00D915873S

(12) **United States Design Patent** (10) **Patent No.:** **US D915,873 S**  
**Phy et al.** (45) **Date of Patent:** **\*\* Apr. 13, 2021**

(54) **SHELF DIVIDER CLIP**

(56) **References Cited**

(71) Applicant: **Nashville Wire Products Manufacturing Company, LLC**,  
Nashville, TN (US)

U.S. PATENT DOCUMENTS

D278,595 S \* 4/1985 Widerby ..... D8/389  
4,750,625 A 6/1988 Frederick

(Continued)

(72) Inventors: **John Nicholas Phy**, Pegram, TN (US);  
**William Jacob Johnson**, Spring Hill,  
TN (US); **Jammie Todd Allbert**, White  
Bluff, TN (US); **James Thomas  
Baggett**, Clarksville, TN (US)

OTHER PUBLICATIONS

Co-pending Utility U.S. Appl. No. 16/372,568, filed Apr. 2, 2019.  
(Continued)

(73) Assignee: **Nashville Wire Products Manufacturing Company, LLC**,  
Nashville, TN (US)

*Primary Examiner* — Susan Bennett Hattan

*Assistant Examiner* — Elizabeth Sun Ko

(\*\*) Term: **15 Years**

(74) *Attorney, Agent, or Firm* — Lucian Wayne Beavers;  
Alex H. Huffstutter; Patterson Intellectual Property Law,  
PC

(21) Appl. No.: **29/686,040**

(57) **CLAIM**

What is claimed is the ornamental design for a shelf divider clip, as shown and described.

(22) Filed: **Apr. 2, 2019**

(51) **LOC (13) Cl.** ..... **08-05**

(52) **U.S. Cl.**  
USPC ..... **D8/381; D8/394**

**DESCRIPTION**

(58) **Field of Classification Search**  
USPC ..... D8/381, 71, 300, 307, 313, 394, 395,  
D8/382, 384, 349; D18/46, 47, 48, 49;  
D28/32, 33, 34, 35, 39, 40, 41, 42  
CPC .. F16B 2/22; F16B 7/22; F21V 21/088; F21V  
21/096; A47B 2220/0041; A47B 55/00;  
A47B 57/22; A47B 57/32; A47B 57/42;  
A47B 57/485; A47B 57/52; A47B  
88/407; A47B 88/43; A47B 95/008; A47B  
96/00; A47B 96/028; A47B 96/06; A47B  
96/07; A47B 96/20; A47B 57/562; A47B  
73/00; A47B 81/007; A47B 96/061; E04B  
2001/405; E04B 1/40; E04B 1/1903;  
E04B 1/2403; E04B 1/2604; E04B  
1/2612; E04B 1/4178; E04B 1/7629;  
E04B 1/7654; E04B 1/942; E04B  
2001/1963; E04B 2001/199;

FIG. 1 is a front perspective view showing the shelf divider clip of Applicants' invention.

FIG. 2 is a rear perspective view of the shelf divider clip of FIG. 1.

FIG. 3 is a front elevation of the shelf divider clip of FIG. 1.

FIG. 4 is a right side elevation of the shelf divider clip of FIG. 1, the left side elevation view being an identical mirror image thereto.

FIG. 5 is a rear elevation of the shelf divider clip of FIG. 1.

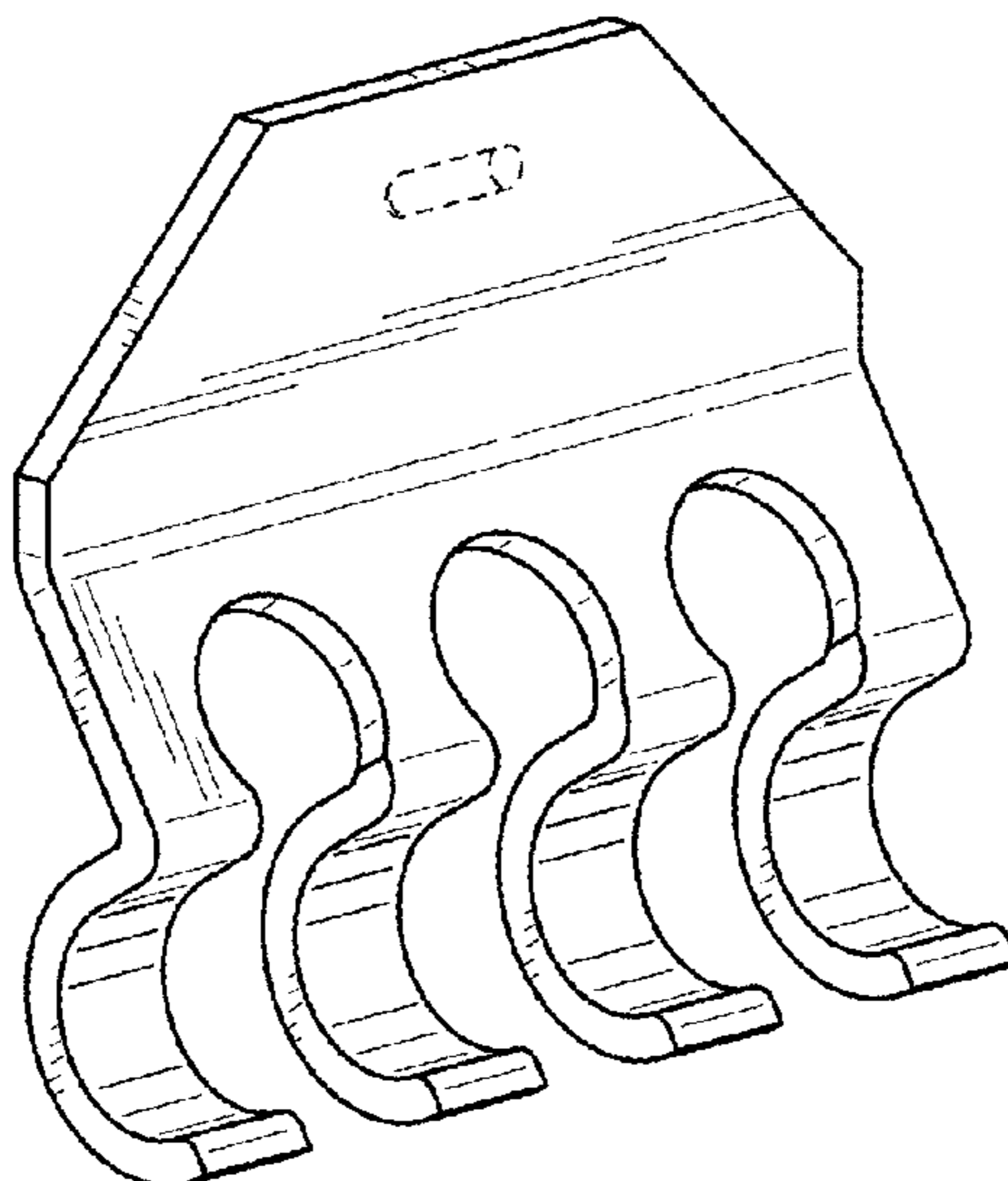
FIG. 6 is a top plan view of the shelf divider clip of FIG. 1; and,

FIG. 7 is a bottom plan view of the shelf divider clip of FIG. 1.

The broken lines in the drawings illustrate portions of the shelf divider clip which form no part of the claimed design.

(Continued)

**1 Claim, 2 Drawing Sheets**



(58) **Field of Classification Search**

CPC ..... E04B 2001/1993; E04B 2001/2415; E04B  
2001/2644; E04B 2001/2676; E04B  
2001/7679; E04B 2/7412; E04B 2/825;  
E04B 2/96; E04B 7/045

See application file for complete search history.

(56) **References Cited**

U.S. PATENT DOCUMENTS

4,890,746 A 1/1990 Trulaske  
5,437,380 A 8/1995 Peay et al.  
5,531,416 A \* 7/1996 Remmers ..... A47B 61/003  
211/105.1  
D373,948 S \* 9/1996 Etzel ..... D8/367  
5,607,068 A 3/1997 Coretti et al.  
6,419,099 B1 7/2002 Weber  
7,152,838 B2 \* 12/2006 Taulbee ..... B60P 3/36  
248/307  
7,699,278 B2 \* 4/2010 Goldstein ..... A47H 1/122  
248/220.21

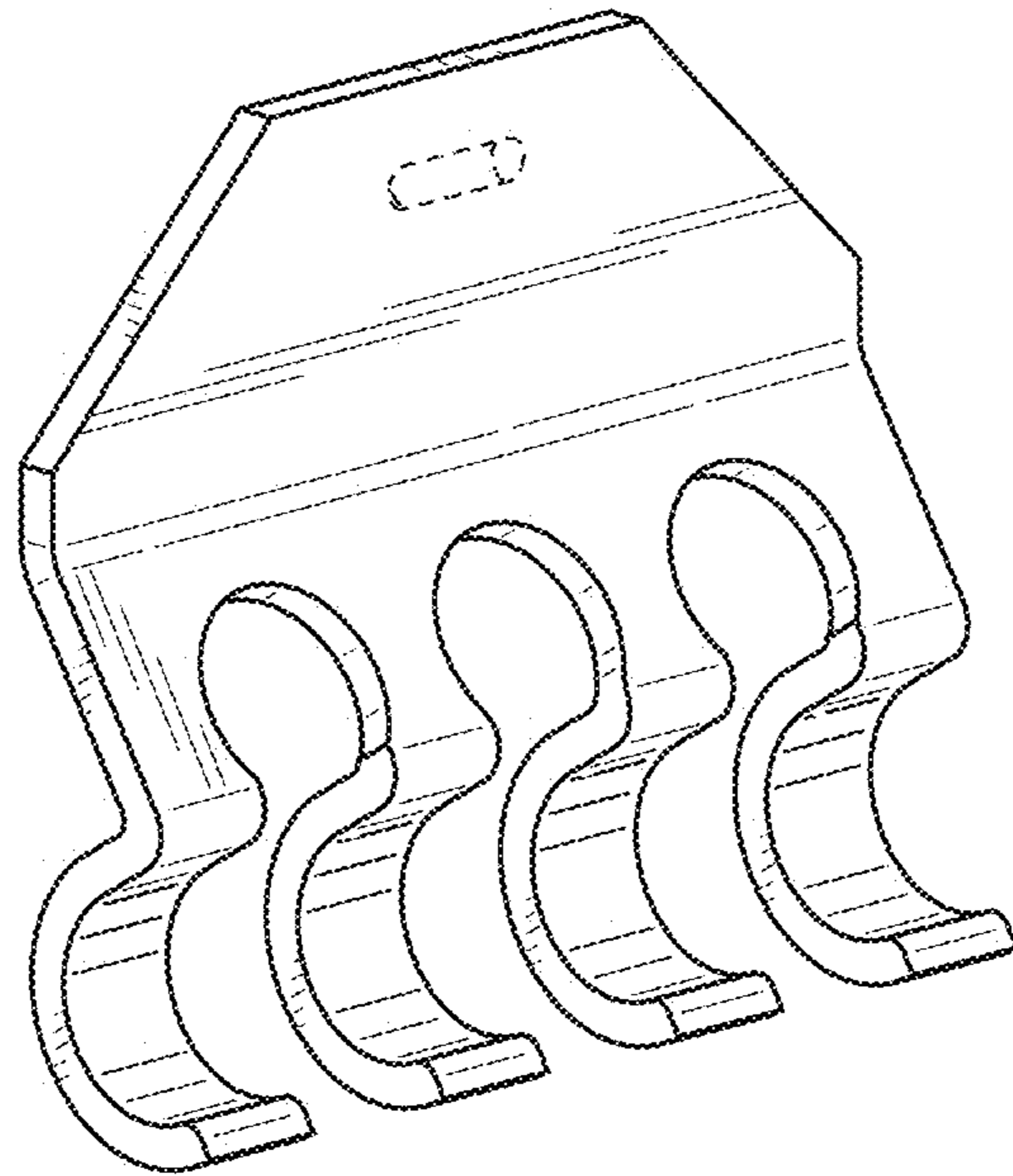
7,950,537 B1 5/2011 Goodman et al.  
D679,172 S \* 4/2013 Dixon ..... D8/354  
D690,189 S \* 9/2013 Wojtowicz ..... D8/394  
D690,582 S \* 10/2013 Wojtowicz ..... D8/394  
D699,097 S \* 2/2014 Chung ..... D8/354  
D782,265 S \* 3/2017 Szucs ..... D8/71  
10,694,849 B2 \* 6/2020 Liss ..... A47B 47/021  
D903,478 S \* 12/2020 Poirier ..... D8/394  
2002/0104938 A1 \* 8/2002 Simard ..... A47B 96/06  
248/218.4

2006/0113262 A1 6/2006 Knorring et al.  
2007/0221597 A1 \* 9/2007 Chen ..... A47B 96/028  
211/192  
2010/0213346 A1 \* 8/2010 Chen ..... A47F 5/0006  
248/693

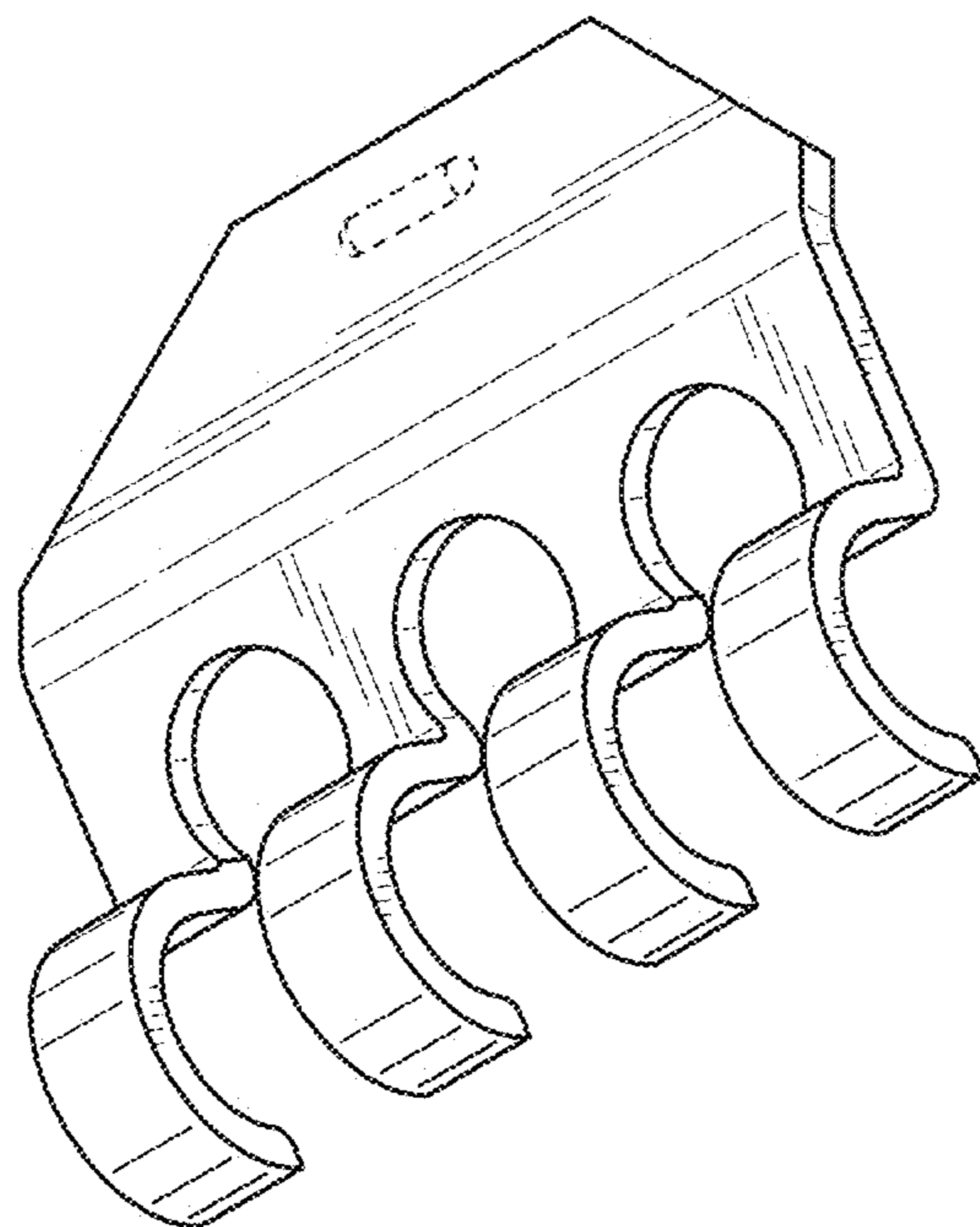
OTHER PUBLICATIONS

Figures 1-8 from co-pending Utility U.S. Appl. No. 16/372,568 filed  
Apr. 2, 2019.

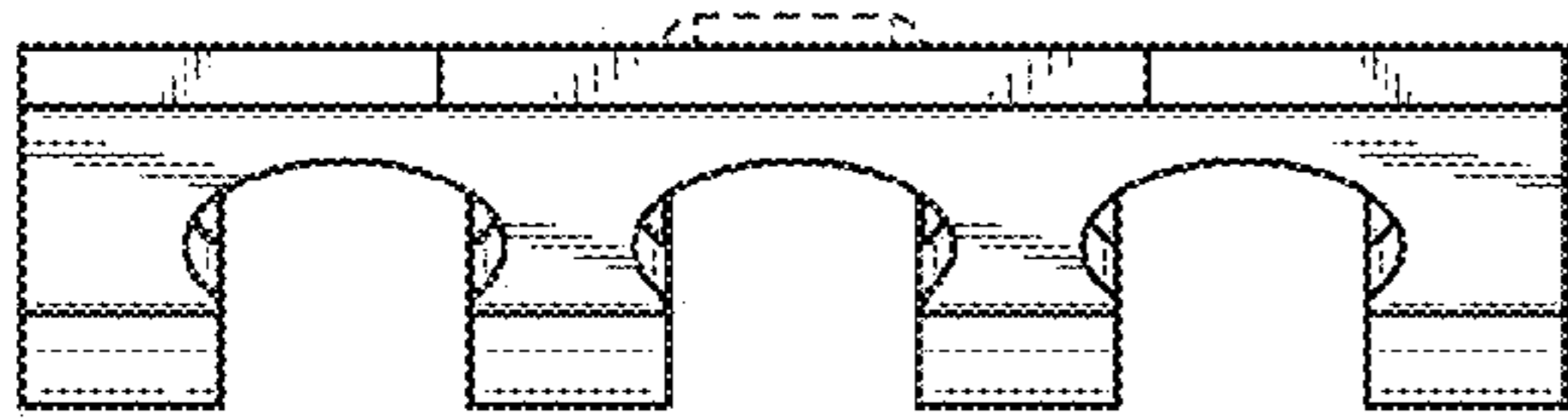
\* cited by examiner



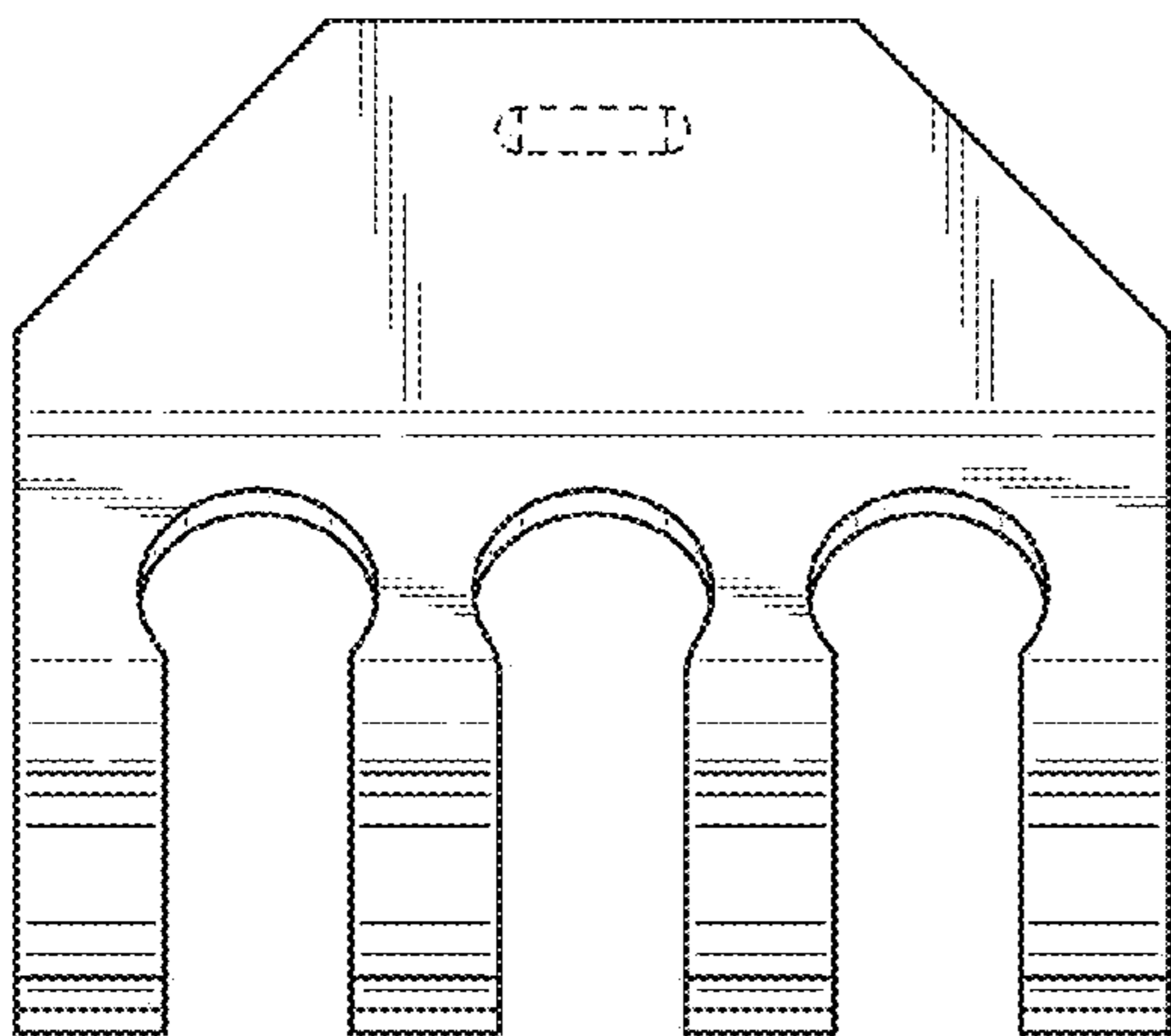
*FIG. 1*



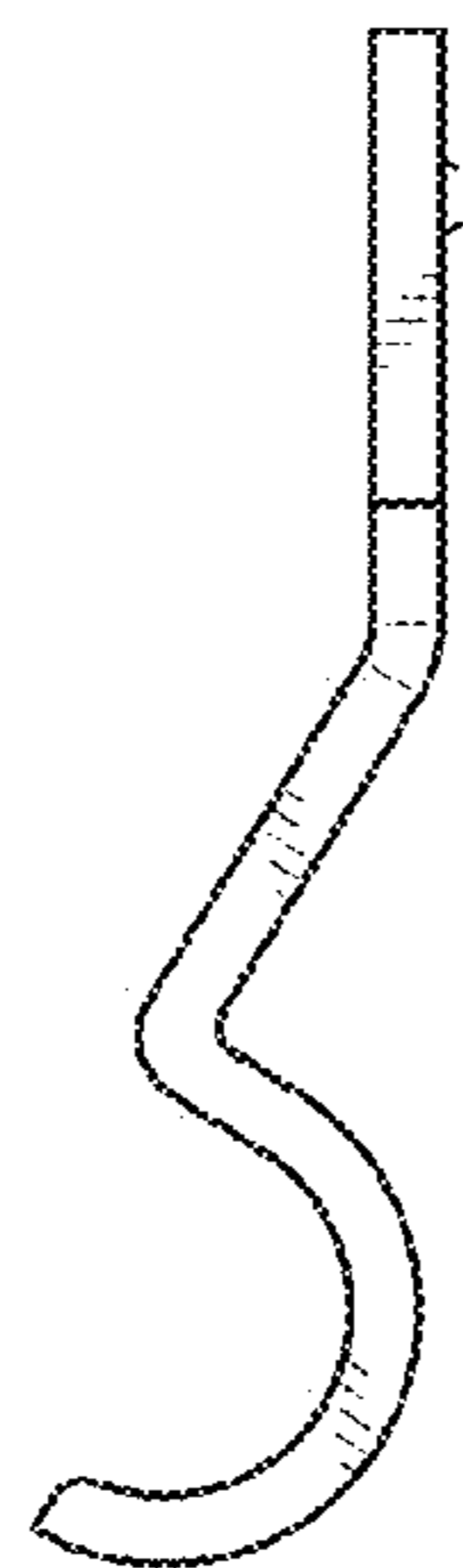
*FIG. 2*



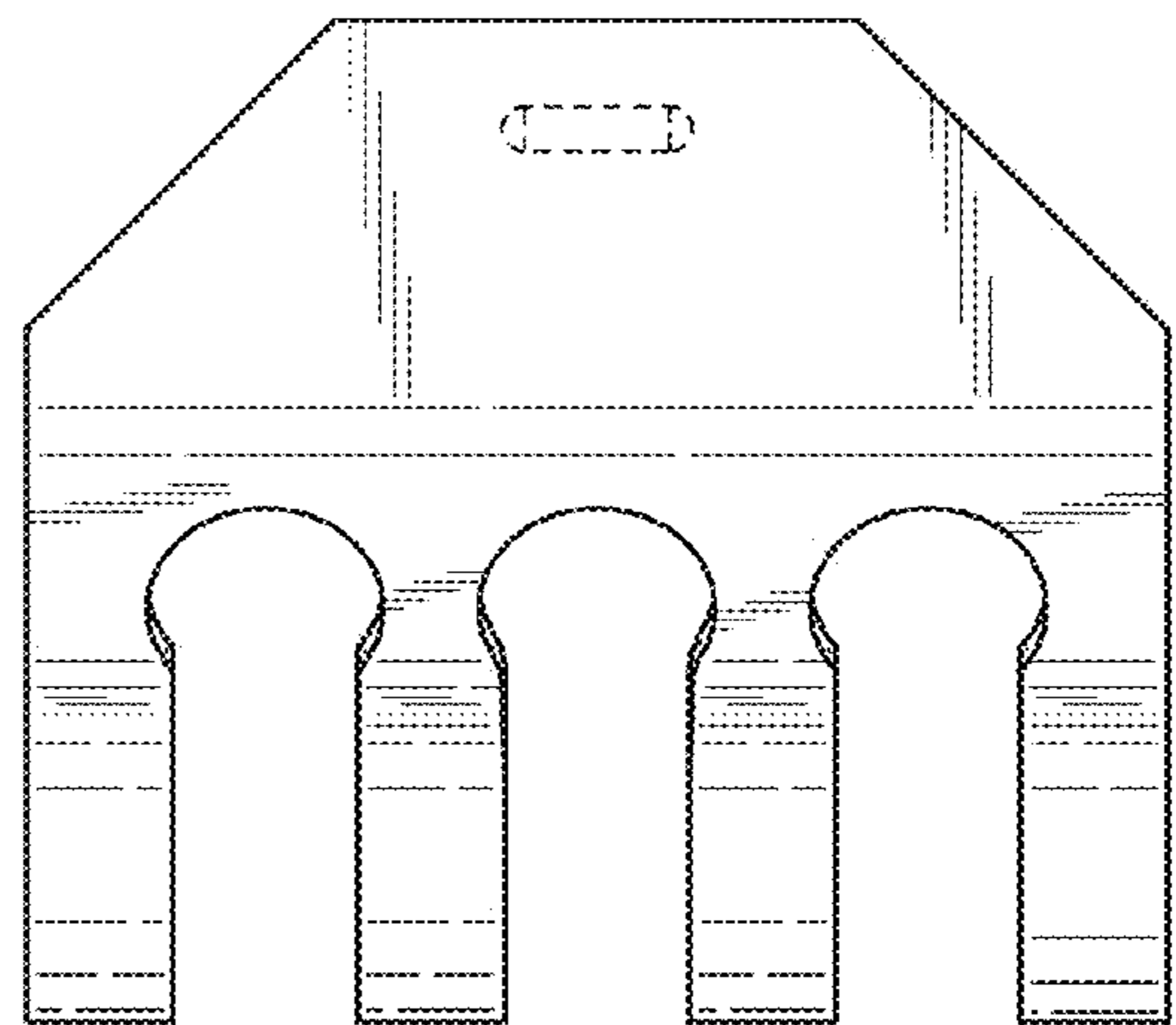
*FIG. 6*



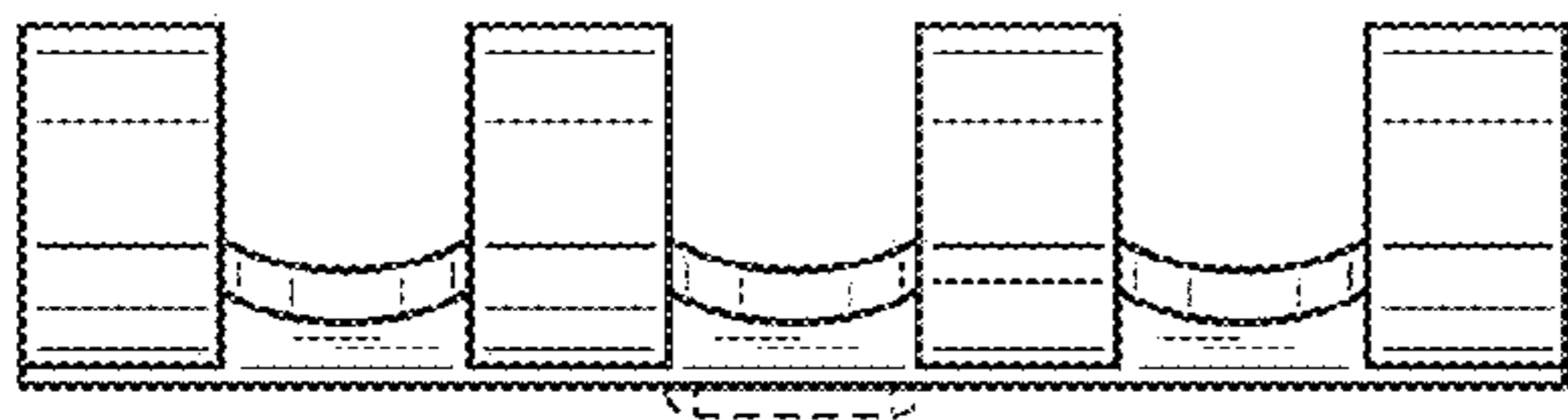
*FIG. 3*



*FIG. 4*



*FIG. 5*



*FIG. 7*