



US00D915871S

(12) **United States Design Patent**
Wendling

(10) **Patent No.:** **US D915,871 S**

(45) **Date of Patent:** **** Apr. 13, 2021**

(54) **FURNITURE RISER**

(71) Applicant: **Allan Wendling**, New Lothrop, MI
(US)

(72) Inventor: **Allan Wendling**, New Lothrop, MI
(US)

(**) Term: **15 Years**

(21) Appl. No.: **29/670,046**

(22) Filed: **Nov. 13, 2018**

(51) **LOC (13) Cl.** **08-05**

(52) **U.S. Cl.**
USPC **D8/374**

(58) **Field of Classification Search**
USPC D8/374, 375; D7/624.1; D27/126
CPC F16M 11/24; E02D 27/01; A47B 91/12;
A47B 91/005; A47C 7/002; A47C
19/024; A47C 19/045

See application file for complete search history.

(56) **References Cited**

U.S. PATENT DOCUMENTS

D44,952 S *	12/1913	Buser	D8/374
1,912,728 A	6/1933	Roe		
D130,014 S *	10/1941	Blatz	D27/126
D163,554 S *	6/1951	Auer	D8/374
3,126,666 A	3/1964	Peterson		
3,138,893 A	6/1964	Rupar		
5,186,182 A *	2/1993	Lin	A24F 19/0035 131/235.1
D336,843 S	6/1993	Hurst		
5,345,631 A	9/1994	Saperstein et al.		

D423,340 S	4/2000	Sittig		
6,345,474 B1	2/2002	Triplett		
D487,695 S *	3/2004	Sittig	D8/374
D493,095 S	7/2004	Sittig		
D493,096 S	7/2004	Sittig		
D653,088 S *	1/2012	Hansen	D7/624.1
9,033,293 B1	5/2015	Glenn et al.		
D734,135 S	7/2015	Merey		
D734,993 S *	7/2015	Marina	D7/624.1
D736,607 S	8/2015	Sheldon		
D784,120 S	4/2017	Abdi et al.		
D828,144 S	9/2018	Rodack		
D894,720 S *	9/2020	Wendling	D8/374
D896,621 S *	9/2020	Wendling	D8/374
D896,622 S *	9/2020	Wendling	D8/374
D898,118 S *	10/2020	Jo	D20/10
2020/0146448 A1 *	5/2020	Wendling	A47B 91/005

* cited by examiner

Primary Examiner — Kevin K Rudzinski

Assistant Examiner — Paul D Bohannon

(74) *Attorney, Agent, or Firm* — Dinsmore & Shohl LLP

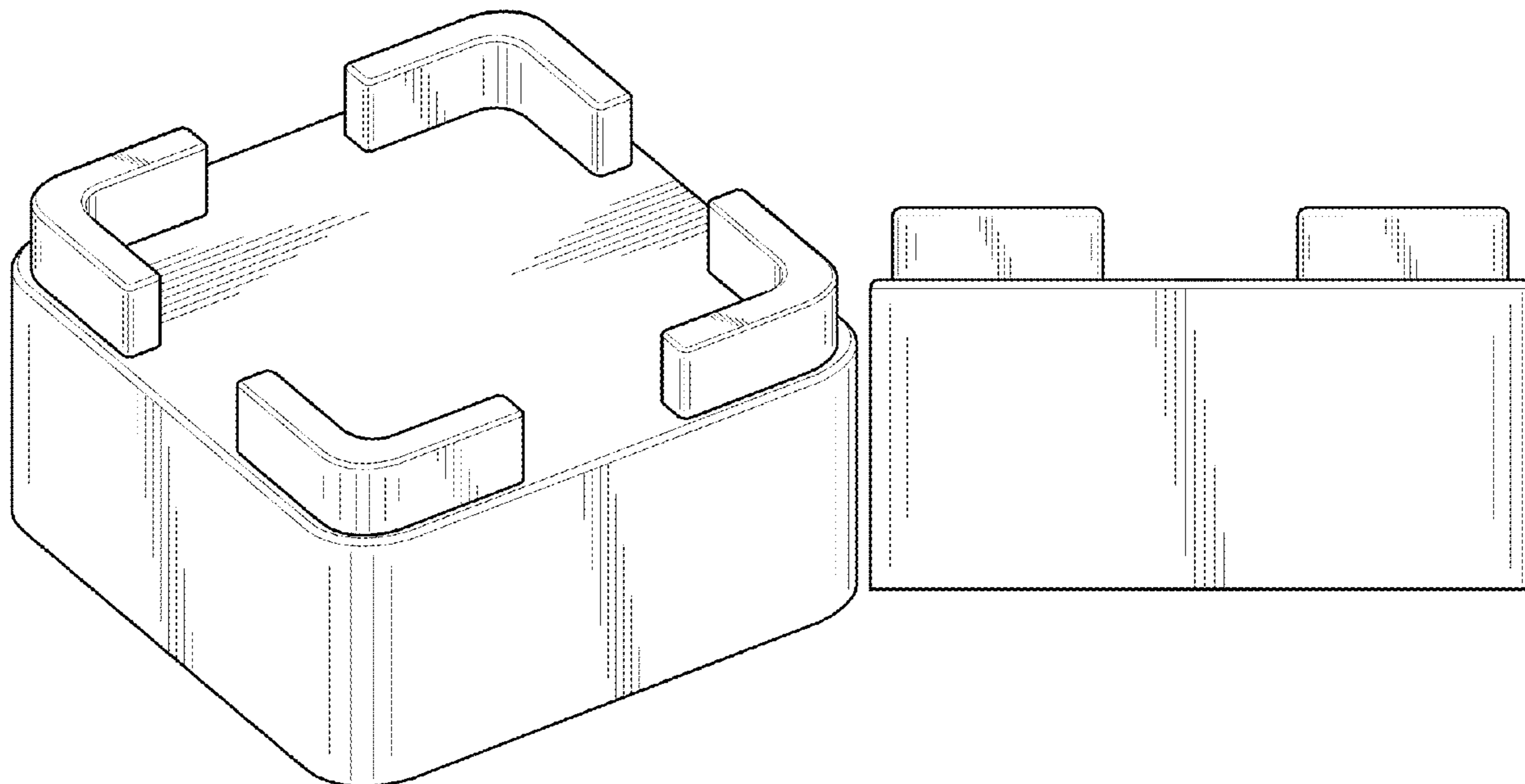
(57) **CLAIM**

The ornamental design for a furniture riser, as shown and described.

DESCRIPTION

FIG. 1 is a top perspective view of the furniture riser; FIG. 2 is a top view of the furniture riser of FIG. 1; FIG. 3 is a side view of the furniture riser of FIG. 1; and, FIG. 4 is a bottom view of the furniture riser of FIG. 1. The broken lines show components of the furniture riser that form no part of the claimed design.

1 Claim, 2 Drawing Sheets



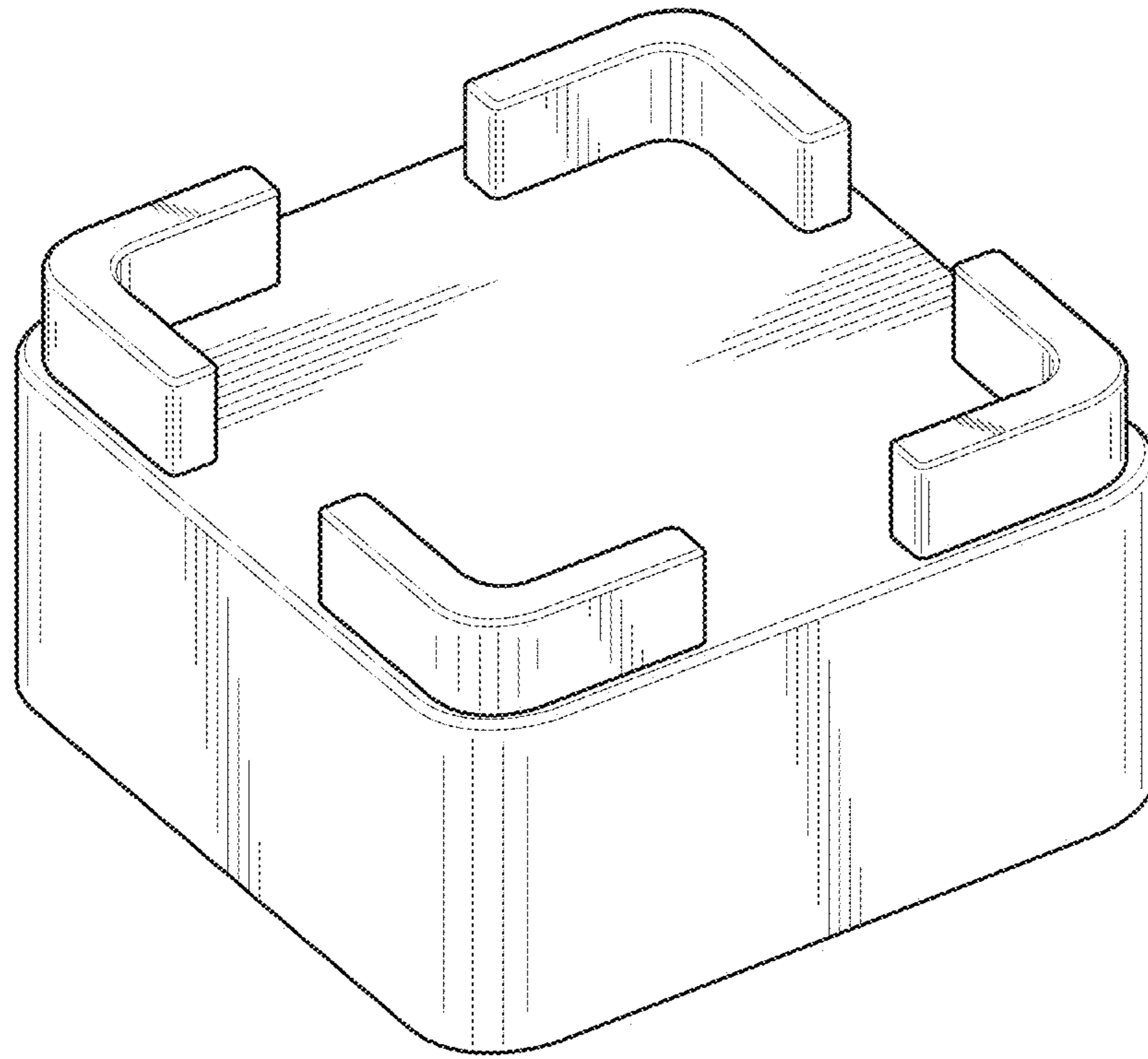


FIG. 1

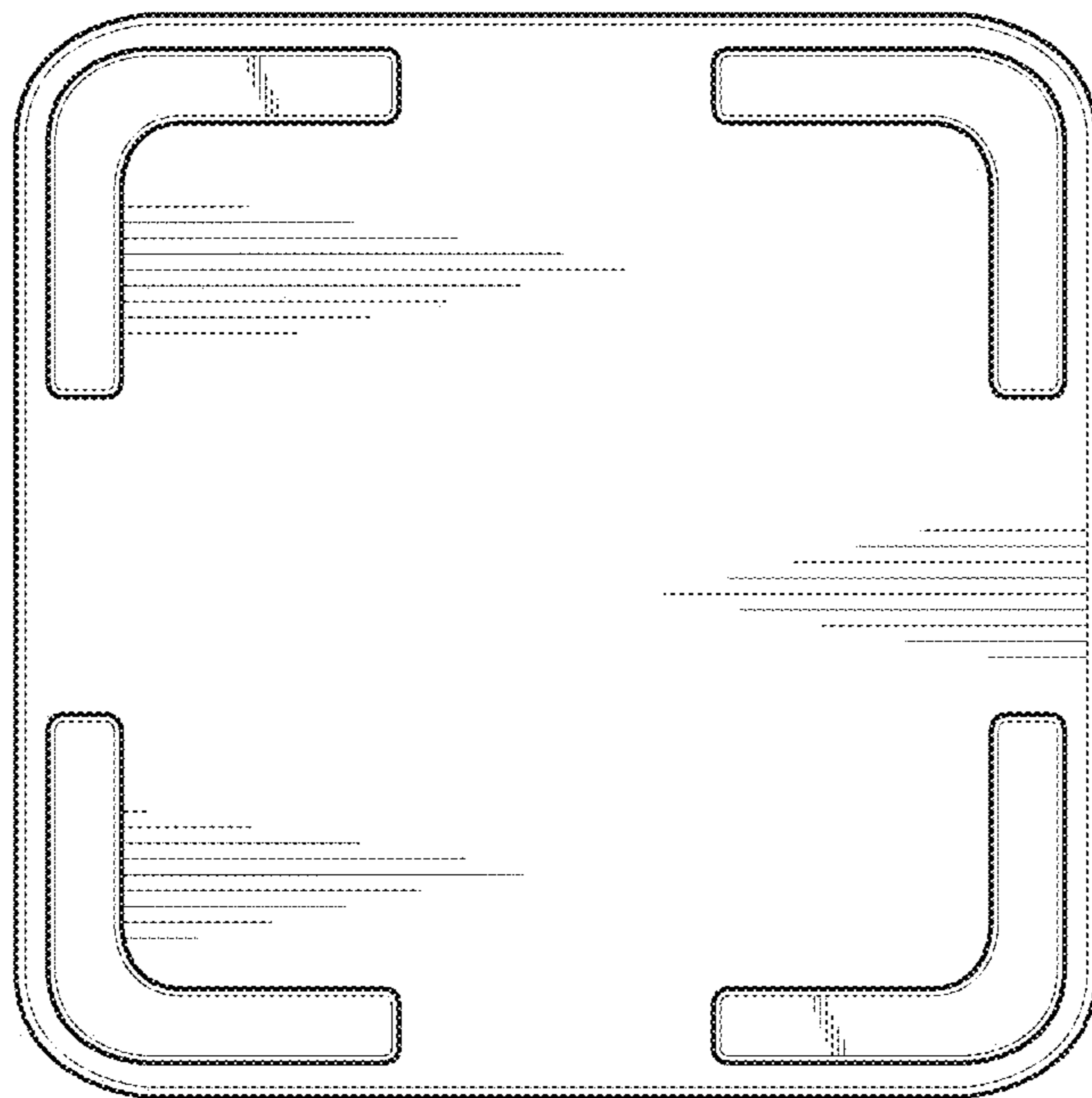


FIG. 2

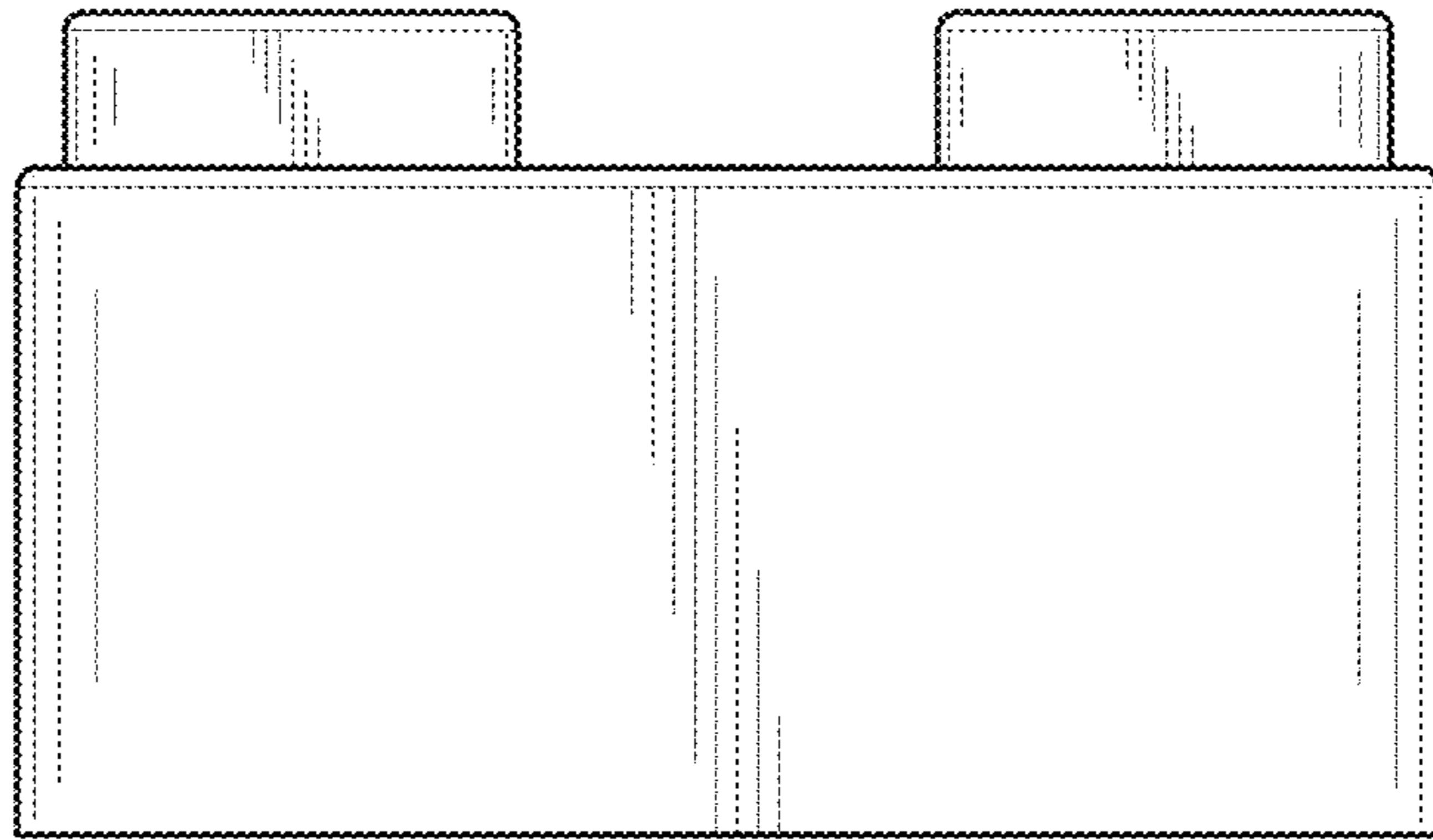


FIG. 3

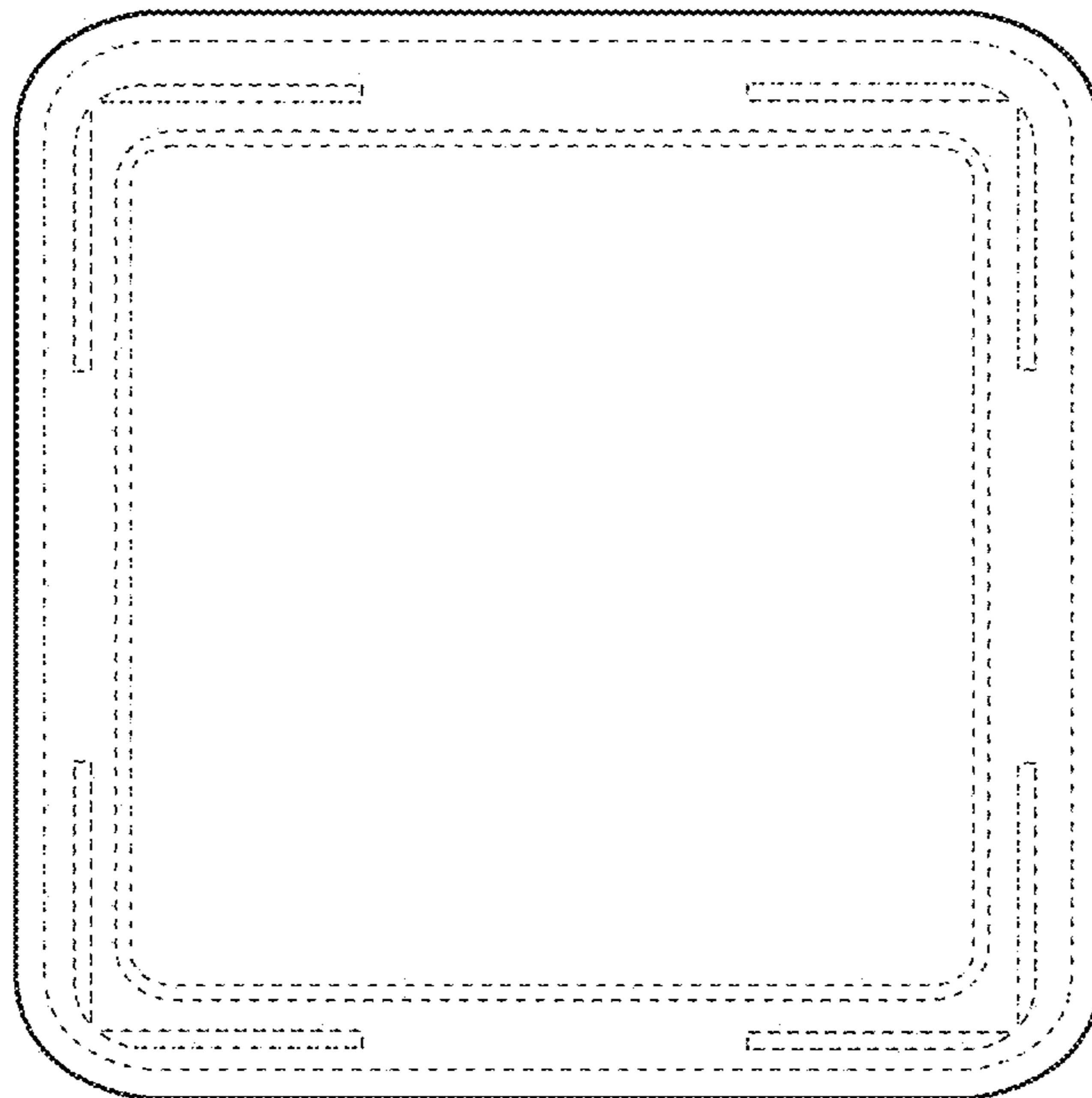


FIG. 4