



US00D915870S

(12) **United States Design Patent** (10) **Patent No.:** **US D915,870 S**
Lyytikäinen et al. (45) **Date of Patent:** **** Apr. 13, 2021**

(54) **WATERING HOSE REEL**

(71) Applicant: **Fiskars Finland Oy Ab**, Helsinki (FI)

(72) Inventors: **Sami Lyytikäinen**, Helsinki (FI); **Vesa Poutiainen**, Helsinki (FI); **Petteri Masalin**, Helsinki (FI)

(73) Assignee: **FISKARS FINLAND OY AB**, Helsinki (FI)

(**) Term: **15 Years**

(21) Appl. No.: **29/626,067**

(22) Filed: **Nov. 14, 2017**

(30) **Foreign Application Priority Data**

May 17, 2017 (EM) 004005502

(51) **LOC (13) Cl.** **08-05**

(52) **U.S. Cl.**
USPC **D8/358**

(58) **Field of Classification Search**
USPC D8/373, 358, 359, 354, 71, 330, 336,
D8/351, 356, 360.1, 363, 364, 367, 370,
D8/372, 379, 381, 382, 395, 396;
D6/349, 352; D9/426, 502, 750;
D10/72, 73, 89; D11/79, 93; D13/103,
(Continued)

(56) **References Cited**

U.S. PATENT DOCUMENTS

3,187,430 A 6/1965 Wallace et al.
3,208,121 A 9/1965 Price
(Continued)

OTHER PUBLICATIONS

Fiskars, New Waterwheel Automatic XL , posted unknown, [retrieved Jun. 22, 2020], Retrieved from Internet, <URL: https://www.fiskars.eu/products/gardening/watering >.*

(Continued)

Primary Examiner — Sheryl Lane

Assistant Examiner — Calvin E Vansant

(74) *Attorney, Agent, or Firm* — Leason Ellis LLP

(57) **CLAIM**

We claim the ornamental design for a watering hose reel, as shown and described.

DESCRIPTION

The patent or application file contains at least one drawing executed in color. Copies of this patent or patent application publication with color drawing(s) will be provided by the Office upon request and payment of the necessary fee.

FIG. 1 is a perspective view of an embodiment of the claimed design;

FIG. 2 is a front view thereof;

FIG. 3 is a back view thereof;

FIG. 4 is a right side view thereof;

FIG. 5 is a left side view thereof;

FIG. 6 is a top view thereof;

FIG. 7 is a bottom view thereof;

FIG. 8 is a perspective view of another embodiment of the claimed design;

FIG. 9 is a front view thereof;

FIG. 10 is a back view thereof;

FIG. 11 is a right side view thereof;

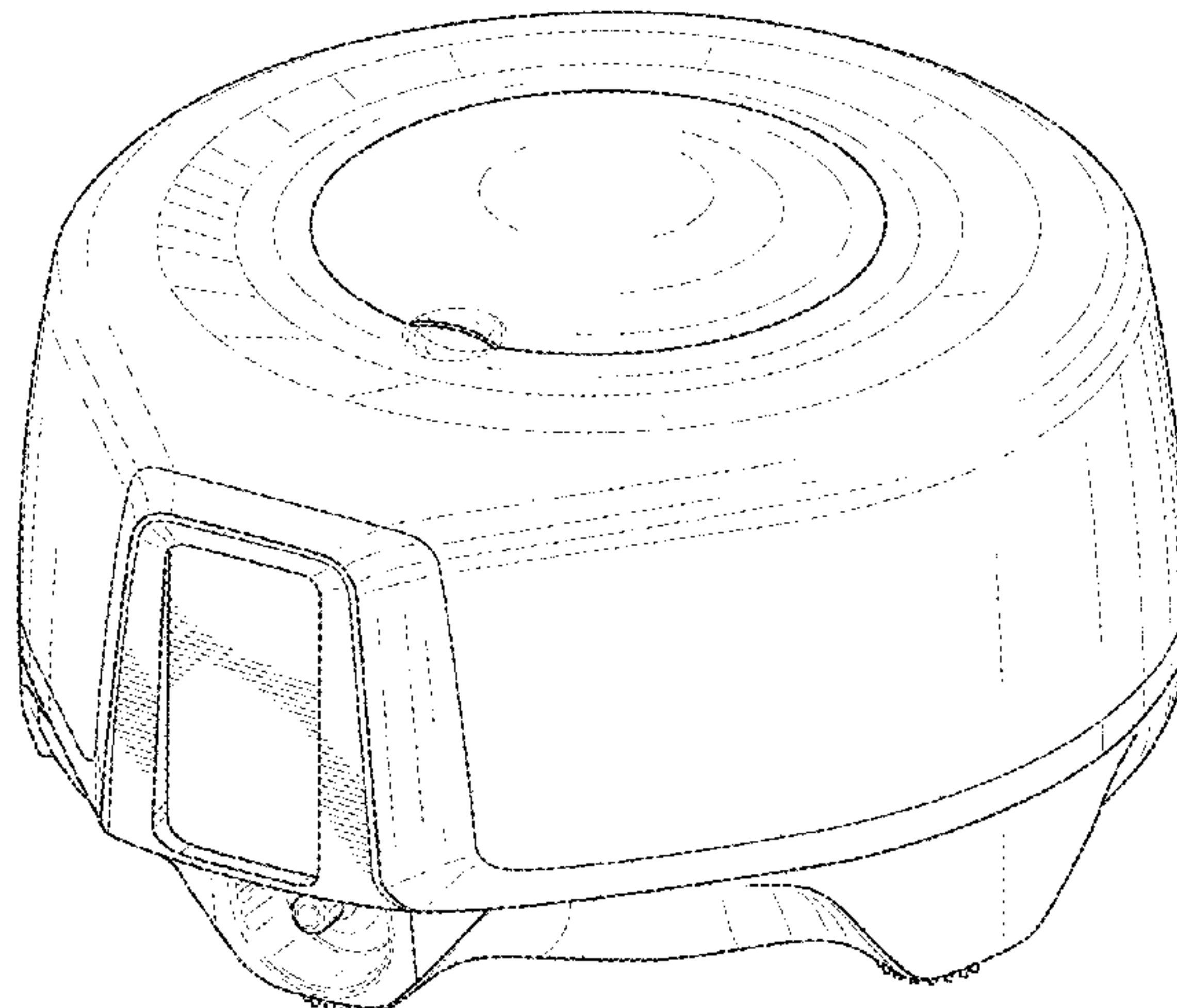
FIG. 12 is a left side view thereof;

FIG. 13 is a top view thereof; and,

FIG. 14 is a bottom view thereof.

Any portion of the article depicted in broken lines forms no part of the claimed design and the lighter colored de-emphasized areas within the broken lines depict portions of the watering hose reel that form no part of the claimed design.

1 Claim, 14 Drawing Sheets
(7 of 14 Drawing Sheet(s) Filed in Color)



(58) **Field of Classification Search**
 USPC D13/107; D19/67; D21/673, 674, 675,
 D21/839, 840; D25/19, 62, 68, 69;
 D26/40, 49; D29/122, 124; D30/153,
 D30/155; D12/162; D34/24, 26; D3/10
 CPC B65H 75/40; B65H 75/4407; B65H
 75/4471; B65H 2701/34; B65H 2701/32;
 B65H 2511/142; B65H 29/008; B65H
 2701/33; B65H 54/585; B65H 51/22;
 B65H 75/08; B65H 75/02; B65H
 2301/41485; B65H 75/4468; B65H
 2301/41423; B65H 2301/414325; B65H
 16/02; B65H 2301/4131; B65H 75/403;
 B65H 75/441; B65D 85/66; B65D 85/67;
 B66D 3/006; B66D 3/18; B66D 3/26;
 B66D 3/02; B66D 3/14; B63B 21/18;
 B63B 21/26; B65B 57/005; A61G
 7/1051; A61G 7/1061; B66B 11/08;
 A62C 33/04; B08B 2203/0276; B21C
 47/28; H02G 11/02; A01K 89/003; H04M
 1/15; A01D 34/822; A47L 9/26; H04R
 1/1033; Y10S 24/909; E05C 19/10; E05C
 17/50; E05C 3/045; E05C 3/30; E05C
 19/02; E05C 19/026; A47G 25/0614;
 A47G 25/18; A47G 25/32; A47G 7/047;
 A47G 7/045; A47G 7/042; A47G 7/044;
 A01G 9/024; A01G 25/14; A01G 27/001;
 A01G 9/042; A01G 27/005; A01G
 31/001; A01G 9/02; A01G 9/083; A01G
 9/12; F16B 12/44; F16B 12/46; F16B
 5/0614; F16B 12/02; E04B 1/2612; E04B
 2001/2415; E04B 1/5818; E04B 1/5831;
 A47B 88/0055; E04F 11/1812; F16L
 1/0246; B60D 1/185; B60P 7/083; B60P
 7/0853; B60P 7/0823; Y10T 24/2175;
 Y10T 24/2164

See application file for complete search history.

(56) **References Cited**

U.S. PATENT DOCUMENTS

D206,483 S 12/1966 Sharp
 D257,576 S 12/1980 Bobrovniczky
 D271,078 S 10/1983 Houghton
 D344,220 S 2/1994 Wensley et al.
 5,308,011 A 5/1994 Roman
 D354,205 S 1/1995 Wensley et al.
 D374,166 S 10/1996 Czerwinski et al.
 D393,401 S 4/1998 Clivio
 5,782,412 A 7/1998 Plantz et al.
 D404,286 S 1/1999 Plantz et al.
 D417,538 S 12/1999 Tisbo et al.
 D418,270 S 12/1999 Tisbo et al.
 6,098,911 A * 8/2000 Sheldon B65H 49/205
 242/423.1
 6,199,784 B1 * 3/2001 Wang B65H 75/4431
 242/378
 6,234,418 B1 5/2001 Donaldson
 D448,651 S 10/2001 Kovacik et al.
 6,375,109 B1 * 4/2002 Liao B65H 75/4434
 242/378

6,439,360 B1 * 8/2002 Miller B65H 75/446
 191/12.2 R
 6,493,943 B1 12/2002 Linden
 D475,277 S 6/2003 Wu
 D479,979 S 9/2003 Kovacik et al.
 D483,235 S 12/2003 Deville
 D485,744 S 1/2004 Khubani
 6,789,324 B2 9/2004 Linden et al.
 D504,606 S 5/2005 Kovacik et al.
 D506,124 S * 6/2005 Strickland D21/777
 D511,294 S 11/2005 Kovacik et al.
 7,021,583 B2 * 4/2006 Weatherill B65H 75/403
 137/355.26
 D547,021 S 7/2007 Stein
 D563,773 S 3/2008 Pitcher et al.
 D575,842 S 8/2008 Jianwei
 D576,248 S 9/2008 Jianwei
 D581,256 S * 11/2008 Jiang D8/358
 D584,937 S * 1/2009 Kovacik D8/358
 7,478,927 B2 * 1/2009 Matthew F21L 14/023
 362/258
 D589,329 S 3/2009 Plunk et al.
 D595,121 S 6/2009 Murphy
 D604,244 S * 11/2009 Kovacik D13/137.4
 D610,771 S * 2/2010 Doan D34/33
 7,654,484 B2 2/2010 Mogensen et al.
 D622,112 S 8/2010 Goetz et al.
 D624,020 S * 9/2010 Kovacik D13/137.4
 D637,067 S 5/2011 Bauck et al.
 D646,039 S 9/2011 Franchini
 D652,191 S 1/2012 Arcati
 D652,192 S 1/2012 Blaszcak et al.
 D652,193 S 1/2012 Blaszcak et al.
 D654,648 S 2/2012 Blaszcak et al.
 8,136,252 B2 3/2012 Linden et al.
 D666,080 S 8/2012 Boehler
 8,317,121 B2 * 11/2012 Tracey B65H 75/4471
 137/355.26
 D671,809 S 12/2012 Huang
 D679,559 S 4/2013 Masalin et al.
 D715,114 S 10/2014 Lyytikainen et al.
 D715,607 S 10/2014 Lyytikainen et al.
 D717,133 S 11/2014 Lyytikainen et al.
 D717,134 S 11/2014 Lyytikainen et al.
 D720,212 S 12/2014 Gonzalez et al.
 D722,479 S 2/2015 Lyytikainen et al.
 D737,669 S 9/2015 Anderson et al.
 D754,526 S 4/2016 Sha et al.
 D767,374 S 9/2016 Vanttila et al.
 D787,921 S 5/2017 Vanttila et al.
 D792,756 S 7/2017 Vanttila et al.
 D828,672 S * 9/2018 Lyytikainen D34/24
 D832,086 S * 10/2018 Son D8/358
 D867,109 S * 11/2019 Piskur D8/358
 D875,508 S * 2/2020 Bailey D8/358
 2003/0038209 A1 2/2003 Remeczky
 2004/0188558 A1 9/2004 Moon et al.
 2011/0309182 A1 12/2011 Franchini
 2014/0261766 A1 * 9/2014 Tracey B65H 75/4471
 137/355.27
 2018/0334353 A1 * 11/2018 Poutiainen B65H 75/486
 2018/0352663 A1 * 12/2018 Hall H02G 11/02

OTHER PUBLICATIONS

U.S. Appl. No. 29/576,789, filed Sep. 7, 2016, Lyytikainen et al.

* cited by examiner



FIG. 1

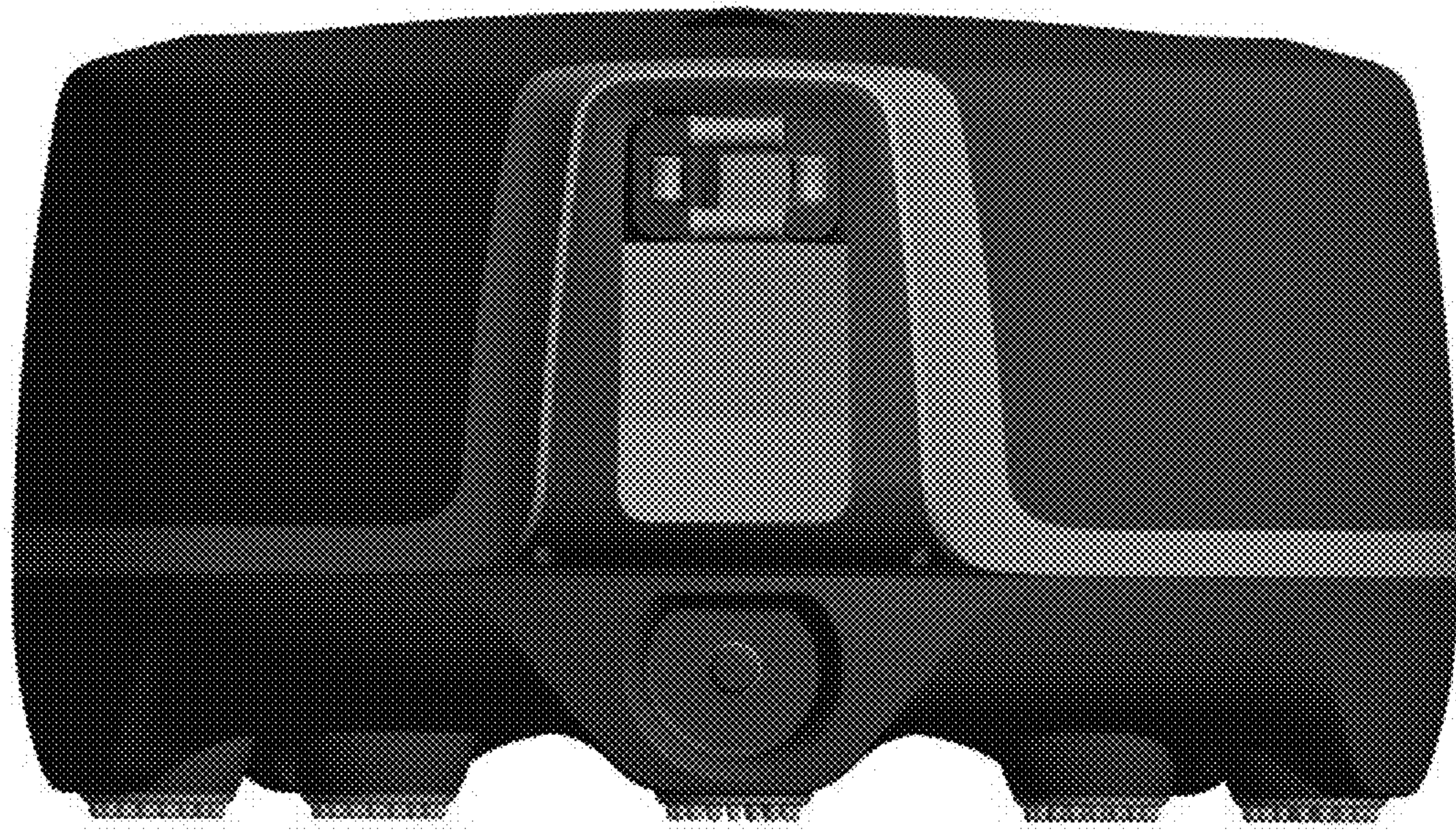


FIG. 2

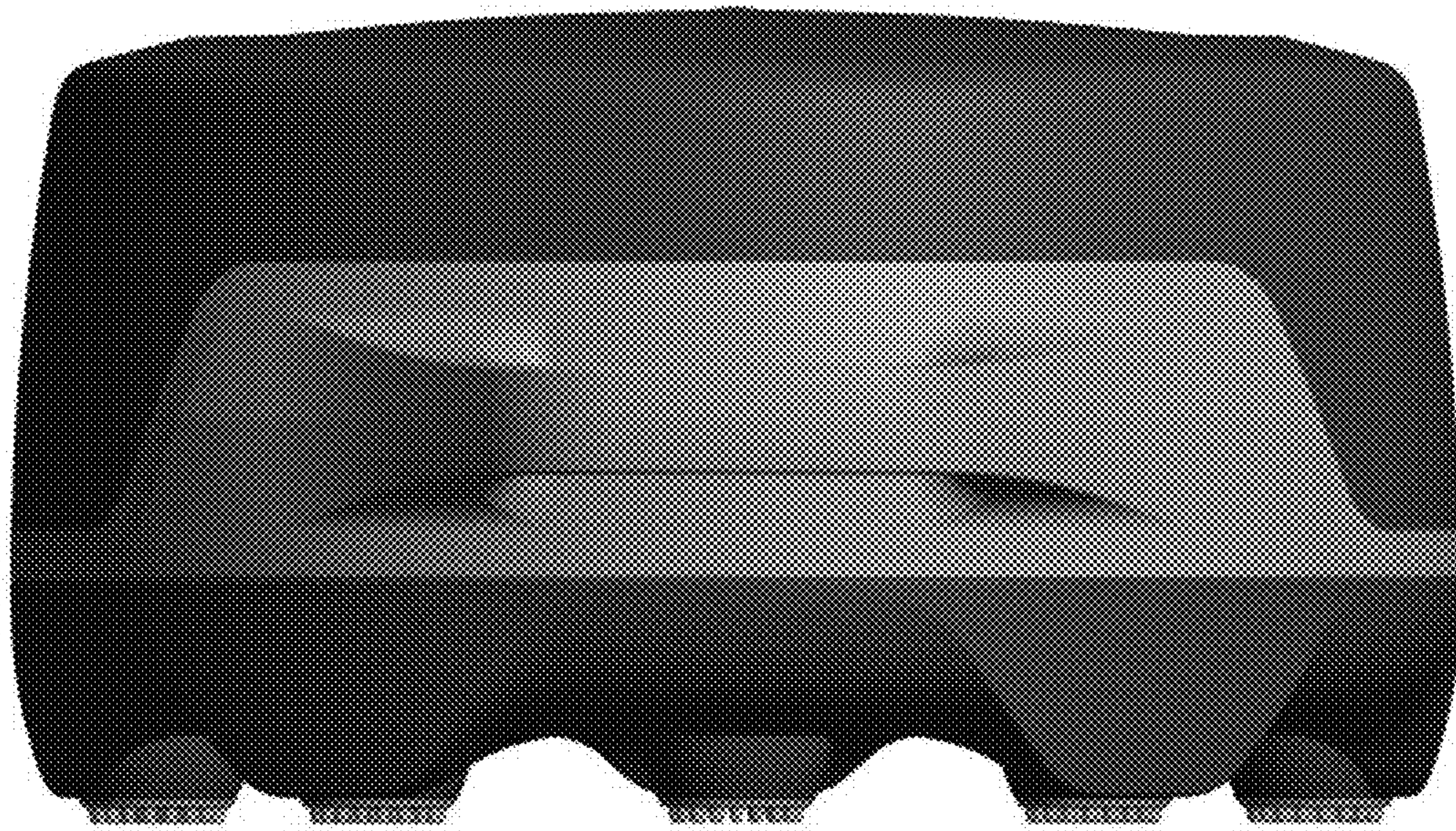


FIG. 3

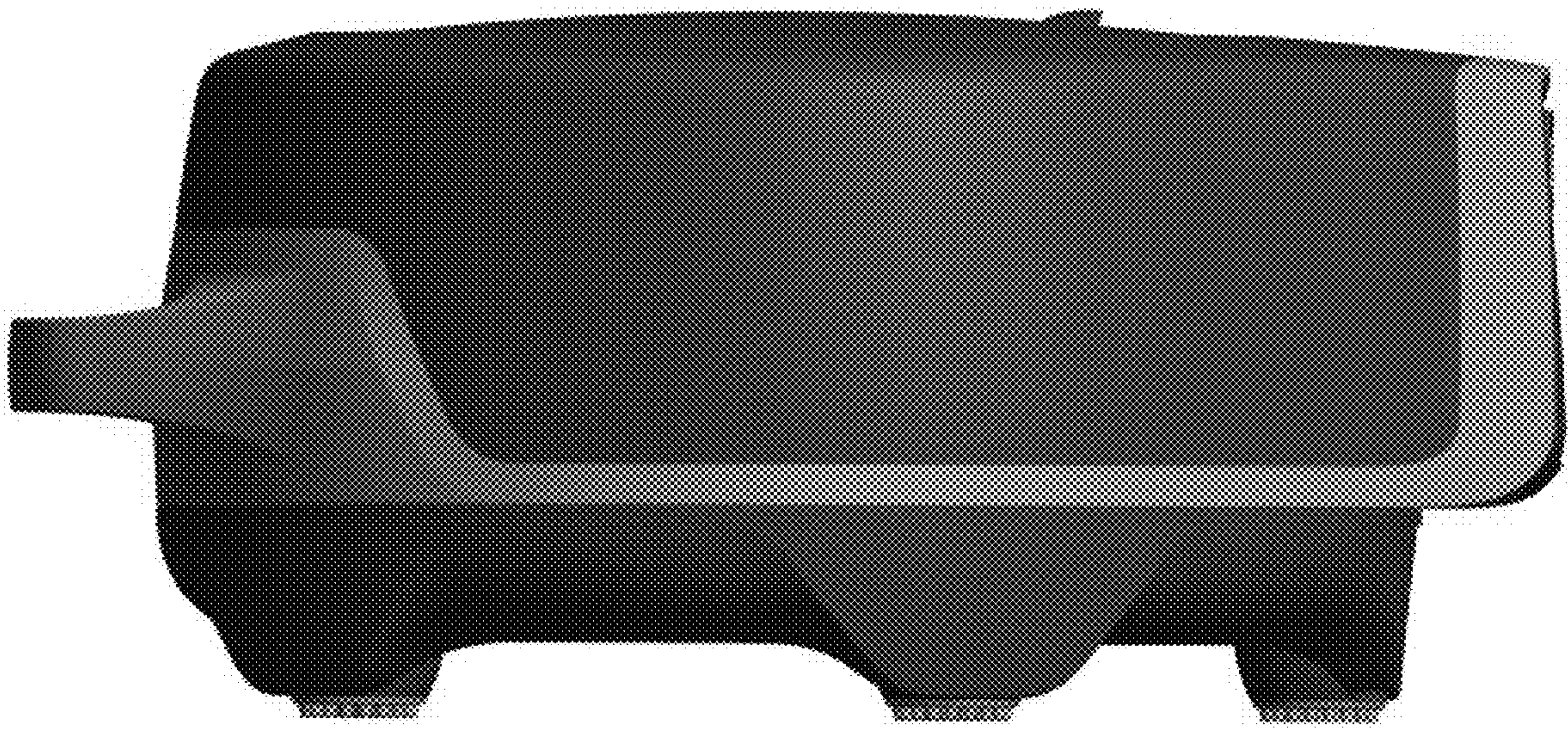


FIG. 4

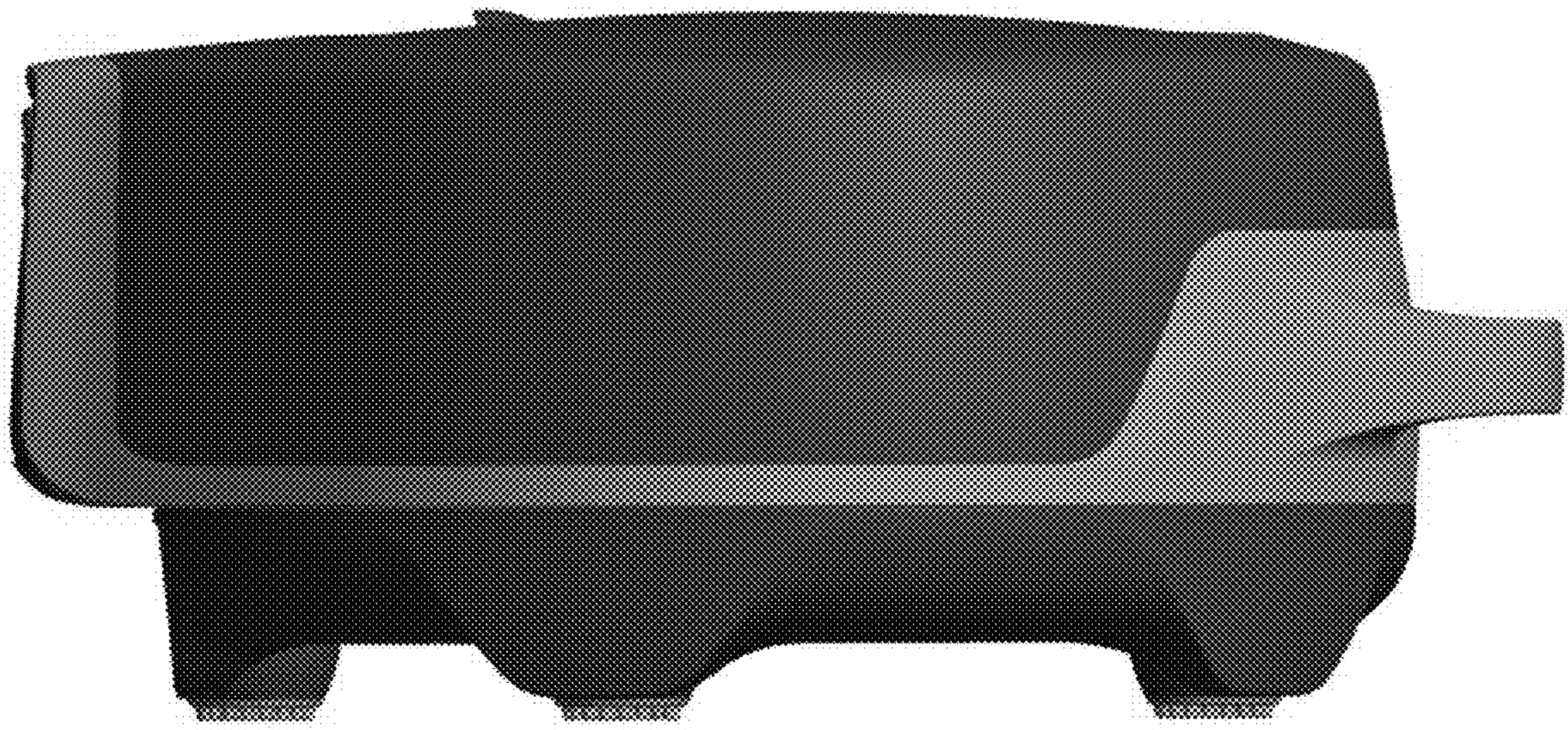


FIG. 5



FIG. 6



FIG. 7

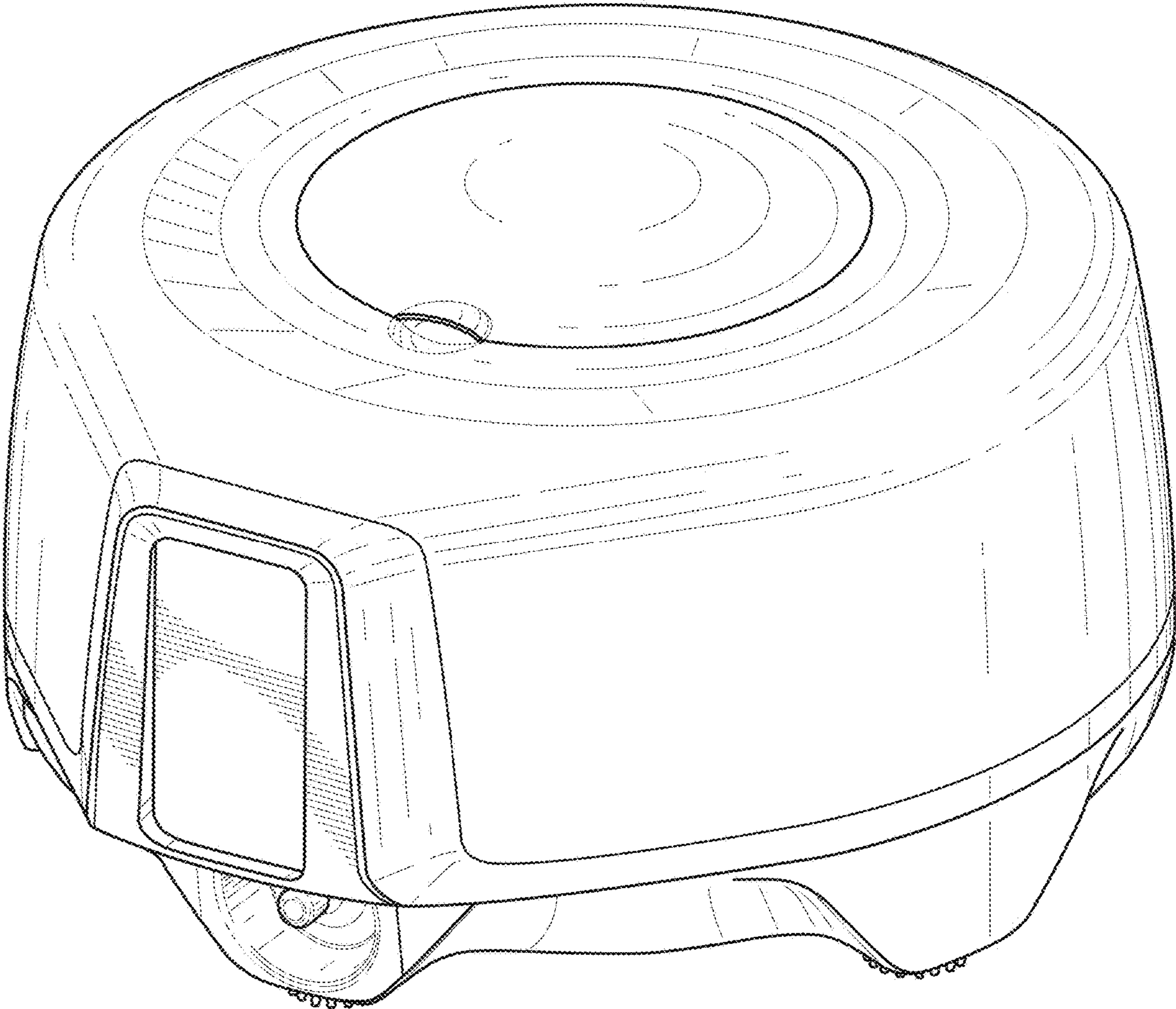


FIG. 8

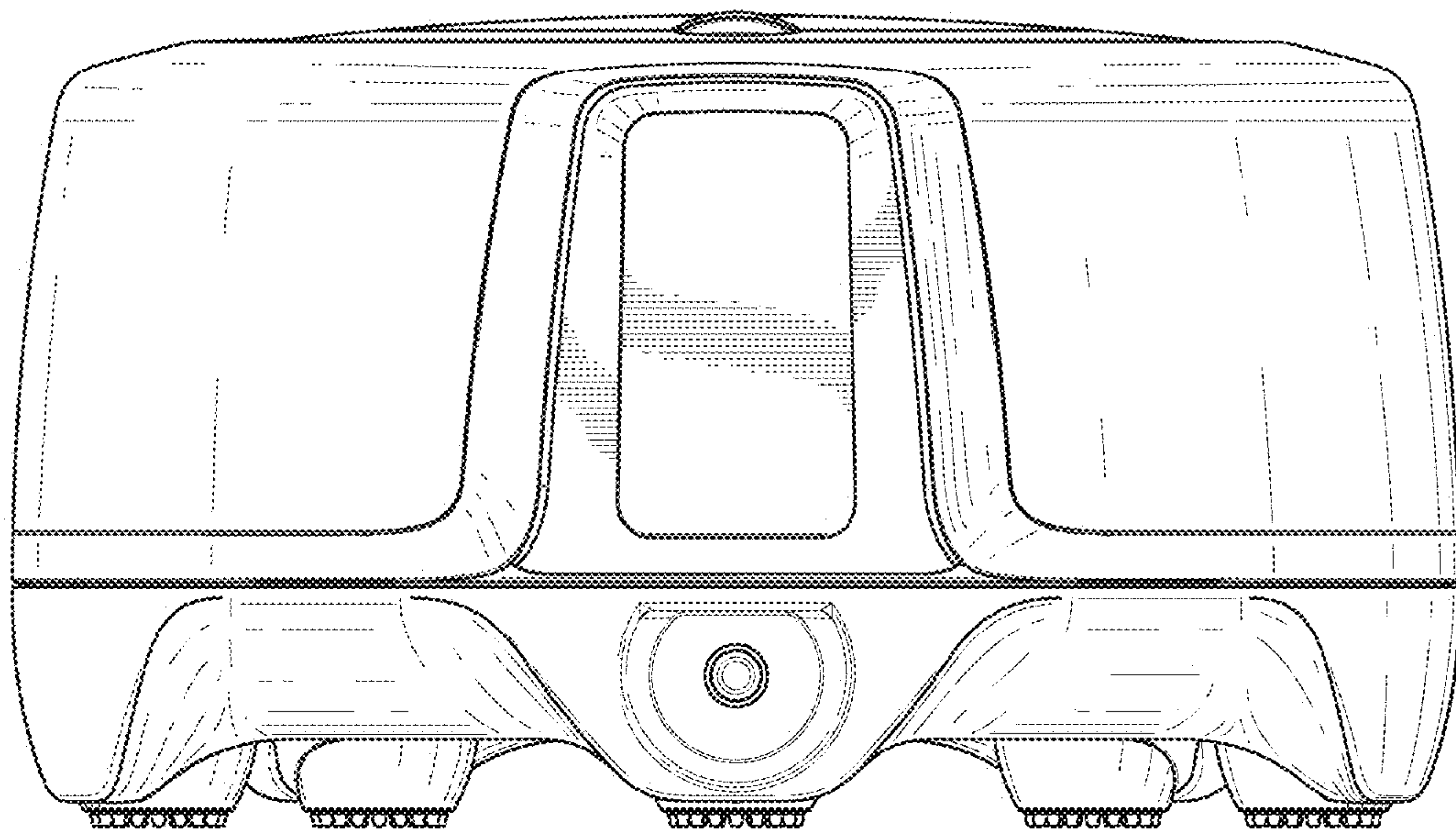


FIG. 9

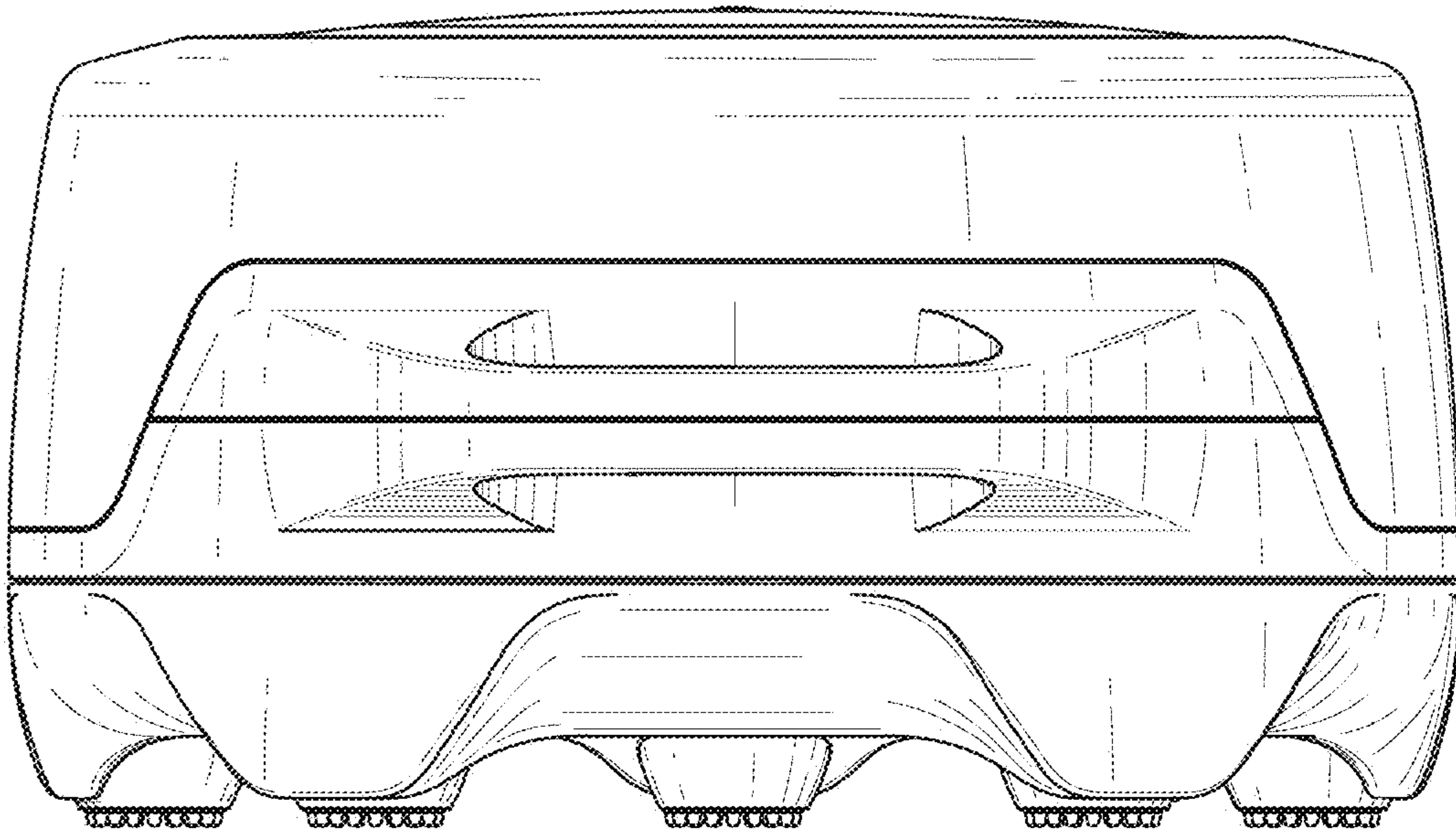


FIG. 10

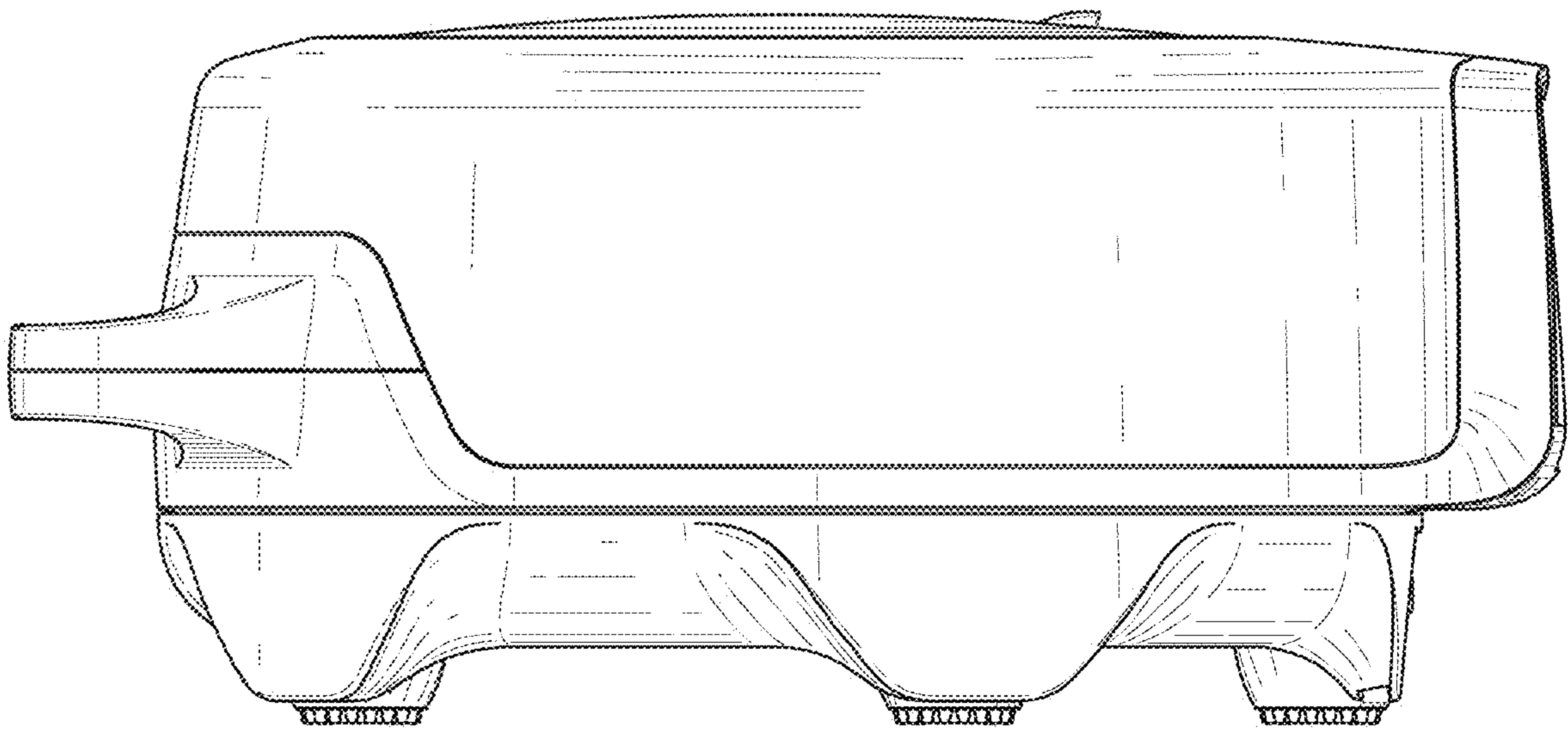


FIG. 11

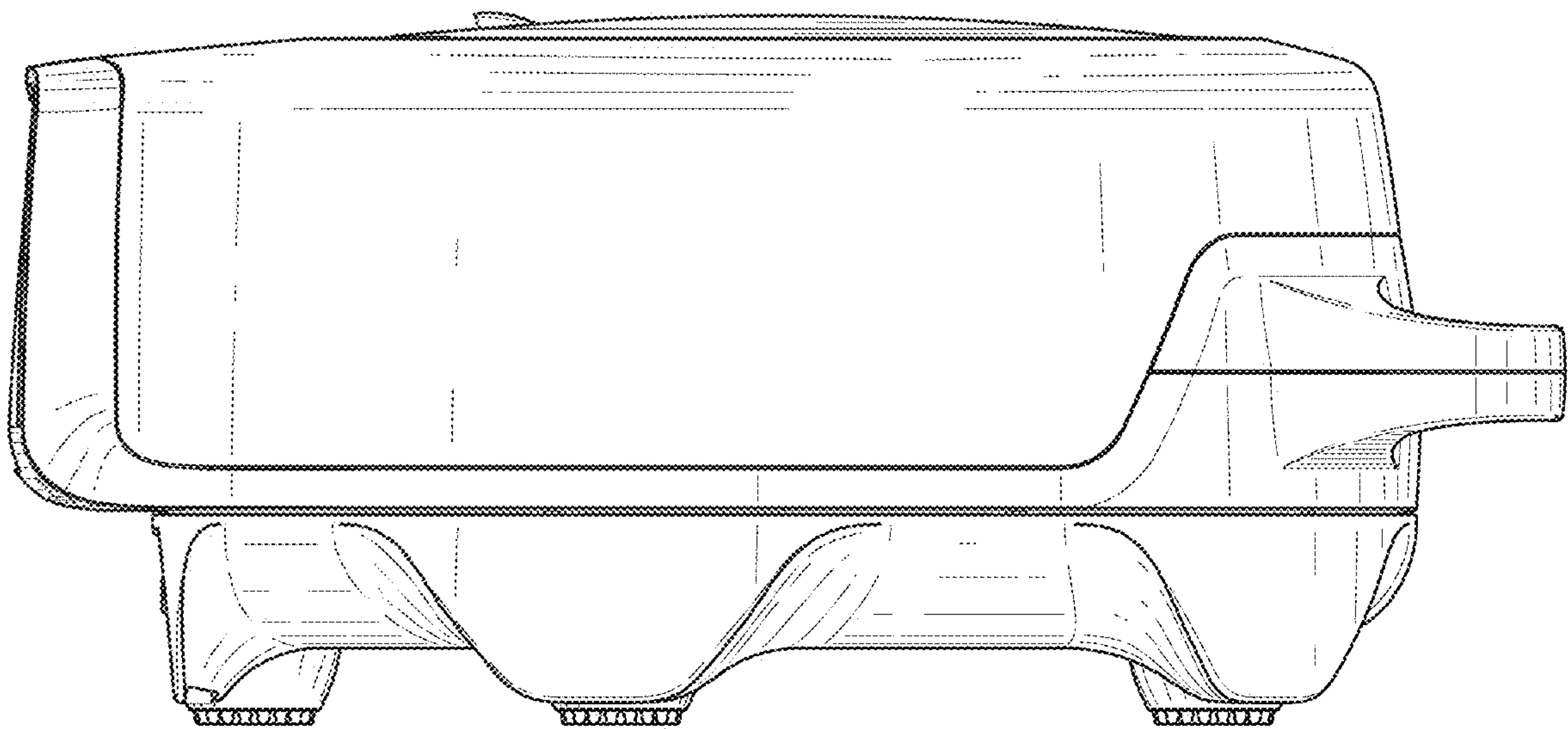


FIG. 12

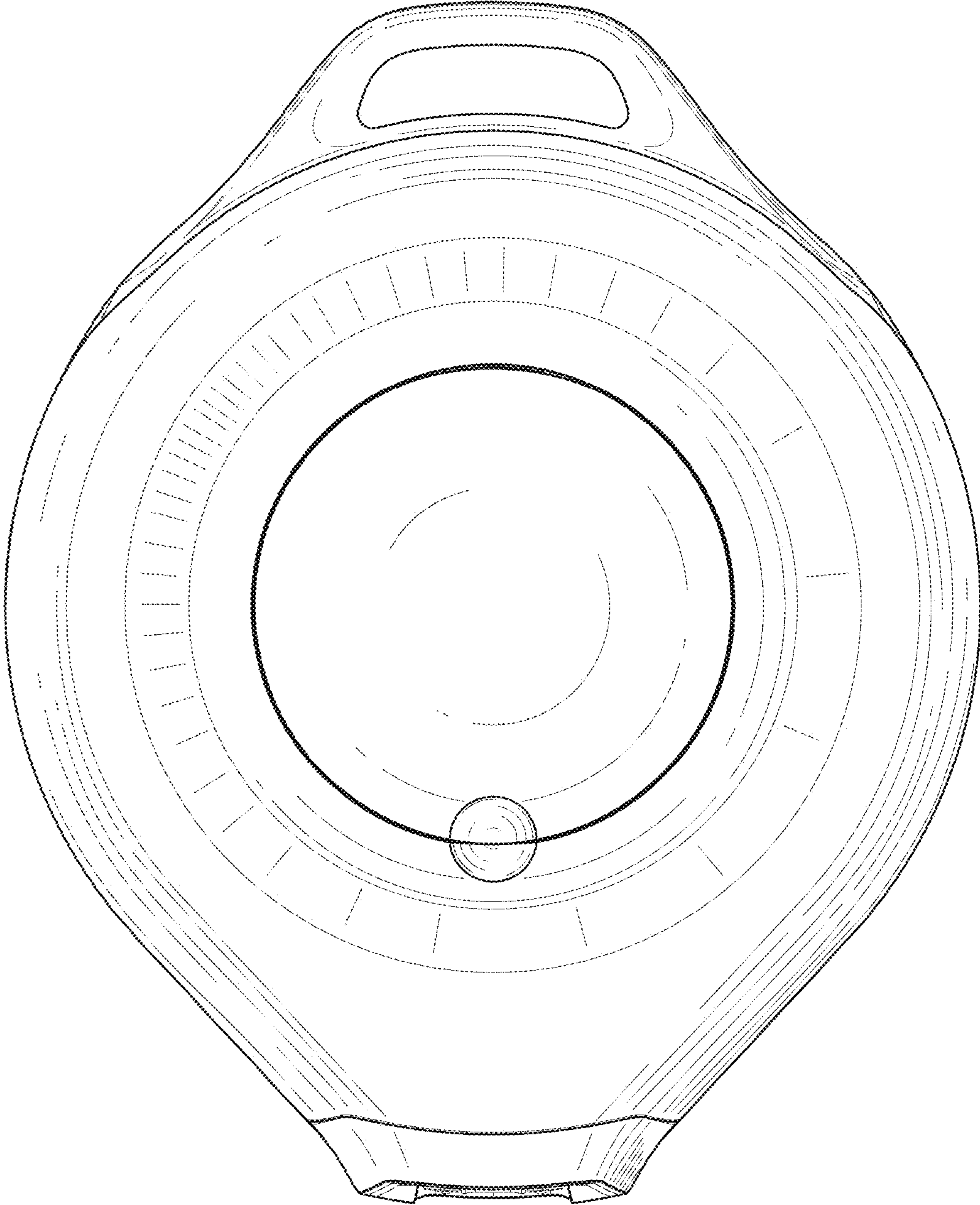


FIG. 13

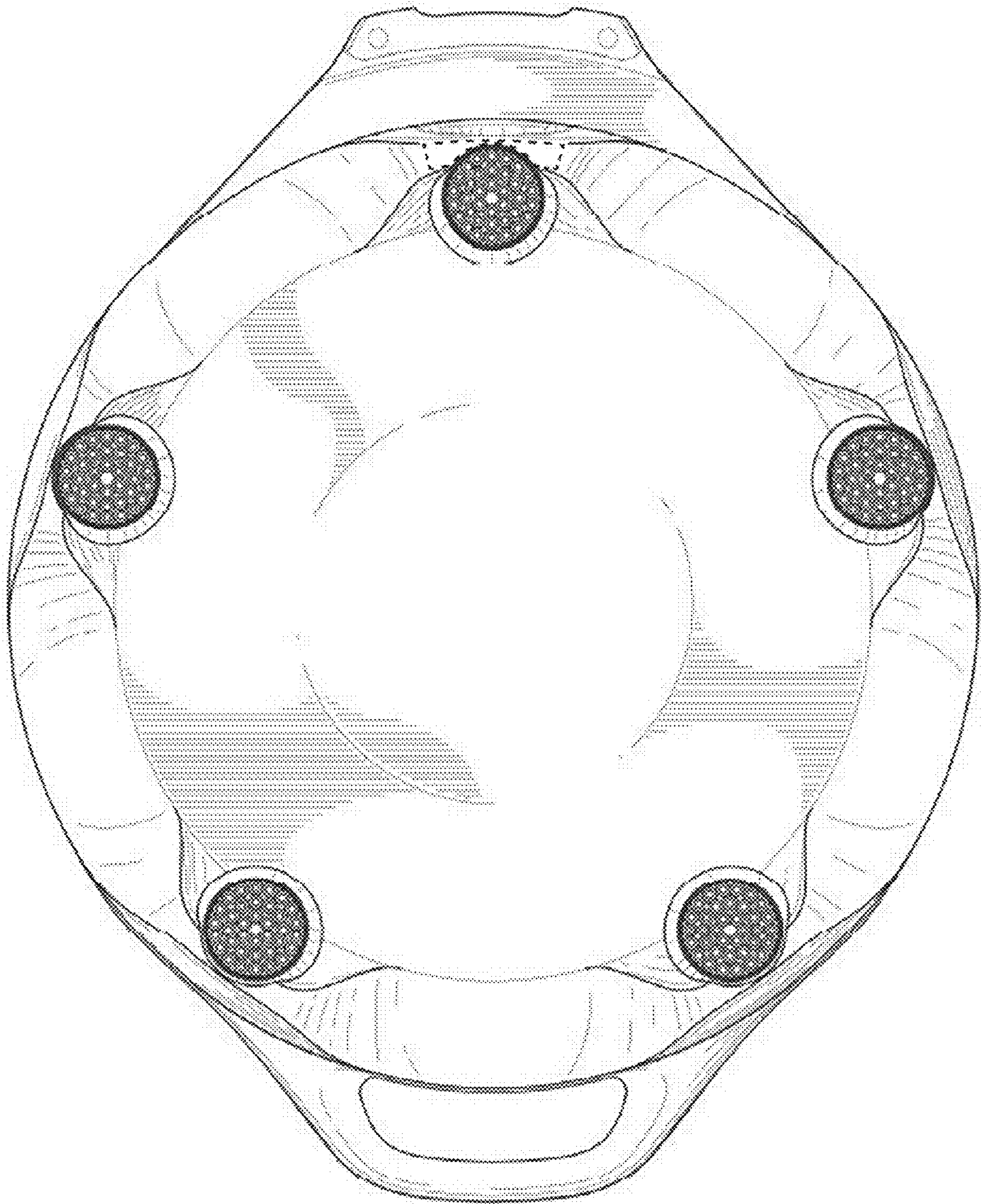


FIG. 14