



US00D915868S

(12) **United States Design Patent** (10) **Patent No.:** **US D915,868 S**  
**Hien** (45) **Date of Patent:** **\*\* Apr. 13, 2021**

(54) **MOUNTING PLATE FOR MOLD**

FOREIGN PATENT DOCUMENTS

(71) Applicant: **Nichietsu Inc.**, Yokohama (JP)

JP 6460507 B1 1/2019

(72) Inventor: **Tuong The Hien**, Yokohama (JP)

OTHER PUBLICATIONS

(73) Assignee: **Nichietsu Inc.**, Yokohama (JP)

6063 Aluminum U-Channel Squared Corners, posted at amazon.com, posting date by Aug. 27, 2013, [online], [site visited Jul. 21, 2020]. Available from Internet, URL: <https://www.amazon.com/Aluminum-U-Channel-Unpolished-Extruded-Tolerance/dp/B000H9OYKG> (Year: 2013).\*

(\*\*) Term: **15 Years**

(21) Appl. No.: **29/673,159**

(Continued)

(22) Filed: **Dec. 12, 2018**

(51) **LOC (13) Cl.** ..... **08-05**

*Primary Examiner* — George D. Kirschbaum

(52) **U.S. Cl.**

*Assistant Examiner* — Maria J. Edwards

USPC ..... **D8/354**

(74) *Attorney, Agent, or Firm* — Banner & Witcoff, Ltd.

(58) **Field of Classification Search**

USPC ..... D8/354

CPC ..... A47B 45/00; F16B 2/005

See application file for complete search history.

(57) **CLAIM**

The ornamental design for a mounting plate for mold, as shown and described.

(56) **References Cited**

**DESCRIPTION**

U.S. PATENT DOCUMENTS

4,693,047 A \* 9/1987 Menchetti ..... E04B 2/763  
52/241  
D521,851 S \* 5/2006 Smart ..... D8/354  
D563,771 S \* 3/2008 Prechtel ..... D8/354  
7,503,150 B1 \* 3/2009 diGirolamo ..... E04B 2/96  
403/403  
8,011,160 B2 \* 9/2011 Rice ..... E04B 2/7457  
52/745.09  
D646,542 S \* 10/2011 Wackwitz ..... D8/70  
D662,805 S \* 7/2012 MacDonald ..... D8/373  
D665,242 S \* 8/2012 Wackwitz ..... D8/70  
D682,661 S \* 5/2013 Fitzpatrick ..... F16M 13/02  
D8/354  
D732,912 S \* 6/2015 Cavaliere ..... D8/16  
D746,669 S \* 1/2016 McBride ..... E04F 13/0803  
D8/382  
D754,405 S \* 4/2016 Herde ..... D30/133  
D769,108 S \* 10/2016 Eberl ..... D8/380

FIG. 1 is a perspective view of the front, top and right side of a mounting plate for mold showing my new design.

FIG. 2 is a front view thereof;

FIG. 3 is a rear view thereof;

FIG. 4 is a left side view thereof;

FIG. 5 is a right side view thereof;

FIG. 6 is a top view thereof;

FIG. 7 is a bottom view thereof;

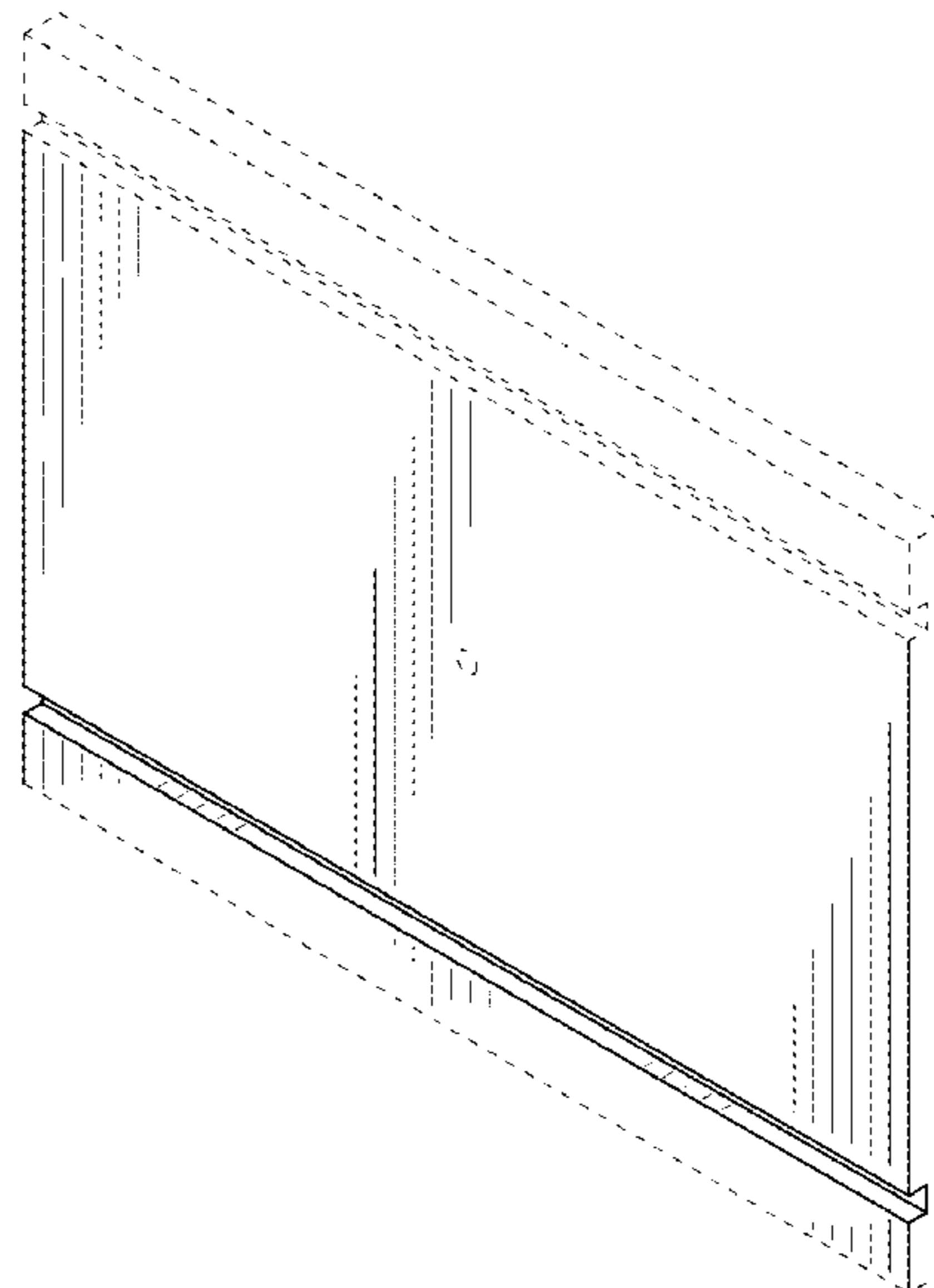
FIG. 8 is a cross-sectional view taken along line 8-8 of FIG. 2; and,

FIG. 9 is a perspective view thereof showing the mounting plate for mold attached to a mold.

The broken lines in the drawings show portions of the mounting plate for mold and form no part of the claimed design. The broken lines immediately adjacent to the shaded surfaces define the bounds of the claimed design and form no part of the claimed design.

(Continued)

**1 Claim, 9 Drawing Sheets**



(56)

References Cited

U.S. PATENT DOCUMENTS

D781,681	S *	3/2017	Nagaki	.....	D8/354
D781,689	S *	3/2017	Darby	.....	D8/381
D789,179	S *	6/2017	Minkovich	.....	D8/354
D790,324	S *	6/2017	Ajello	.....	D8/354
D821,851	S *	7/2018	Stahl	.....	D8/354
D824,754	S *	8/2018	Minkovich	.....	D8/380
D826,695	S *	8/2018	Bolster	.....	D8/354
D844,415	S *	4/2019	Kneib	.....	D8/354
2002/0046525	A1 *	4/2002	Rice	.....	E04B 2/7457 52/481.1
2007/0251186	A1 *	11/2007	Rice	.....	E04B 2/763 52/483.1
2008/0289275	A1 *	11/2008	Ellis	.....	E04B 2/7457 52/288.1
2010/0308181	A1 *	12/2010	Azuma	.....	F16L 3/243 248/49
2016/0290552	A1 *	10/2016	Holestine	.....	F16M 13/02

OTHER PUBLICATIONS

Aluminum Sharp Corner Channel, posted at monarchmetal.com, posting date not given, [online], [site visited Jul. 21, 2020]. Available from Internet, URL: <https://www.monarchmetal.com/products/aluminum-sharp-corner-channel-c-channel-u-channel/> (Year: 2020).\*

CRL Brite Anodized Aluminum U Channel, posted at amazon.com, posting date Mar. 25, 2010, [online], [site visited Jul. 21, 2020]. Available from Internet, URL: <https://www.amazon.com/CRL-Brite-Anodized-Aluminum-Channel/dp/B001C7MVIO> (Year: 2010).\*

CRL D631DU Duranodic Bronze Single U-Channel, posted at amazon.com, posting date Nov. 8, 2011, [online], [site visited Jul. 21, 2020]. Available from Internet, URL: <https://www.amazon.com/Duranodic-Bronze-Single-Aluminum-U-Channel/dp/B006JCL82C> (Year: 2020).\*

CRL Duranodic Bronze U-Channel, posted at amazon.com, posting date Jul. 12, 2008, [online], [site visited Jul. 21, 2020]. Available from Internet, URL: <https://www.amazon.com/CRL-Duranodic-Bronze-1-1-U-Channel/dp/B001C7NDZY> (Year: 2008).\*

CRL Polished Nickel Aluminum Deep U-Channel, posted at amazon.com, posting date Mar. 4, 2007, [online], [site visited Jul. 21, 2020]. Available from Internet, URL: <https://www.amazon.com/Polished-Nickel-Frameless-Aluminum-U-Channel/dp/B000NYA60M> (Year: 2007).\*

CRL Satin Anodized Aluminum U Channel, posted at amazon.com, posting date Oct. 2, 2007, [online], [site visited Jul. 21, 2020]. Available from Internet, URL: <https://www.amazon.com/CRL-Satin-Anodized-Aluminum-Channel/dp/B00QL56U7U> (Year: 2007).\*

Grainger Approved U-Channel AL 6063, posted at grainger.com, posting date not given, [online], [site visited Jul. 21, 2020]. Available from Internet, URL: <https://www.grainger.com/product/6ALX9> (Year: 2020).\*

Office Action from Korean Intellectual Property Office—Application No. 30-2018-0058468; Issuing No. 9-5-2019-033046136, dated May 8, 2019, 9 pages.

<http://www.ntm.com/custom-moldbases/mold-base-gallery>.

<https://web.archive.org/web/20150504091113/http://www.ntm.com/custom-moldbases/moldbase-gallery>.

\* cited by examiner

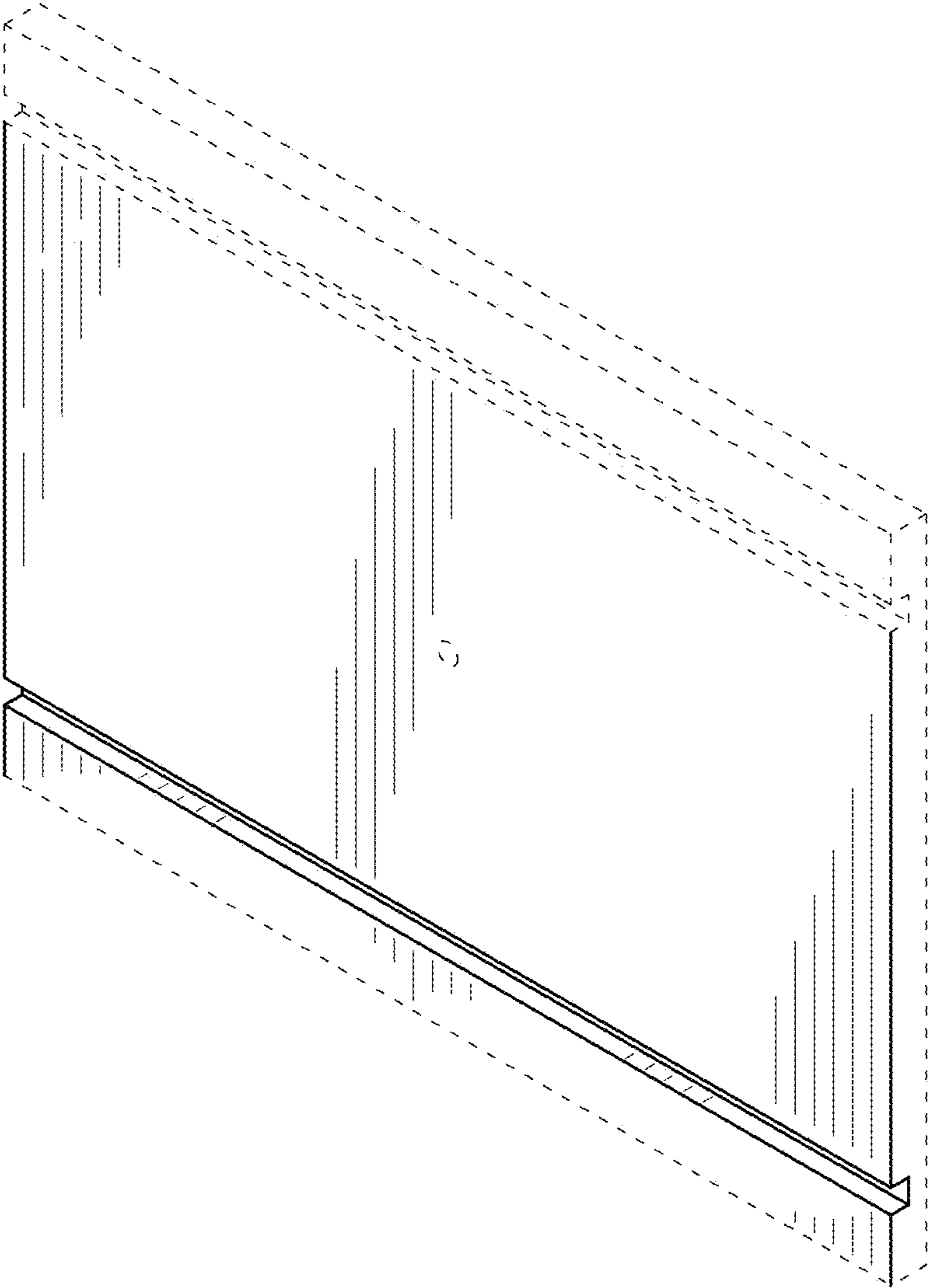


FIG. 1

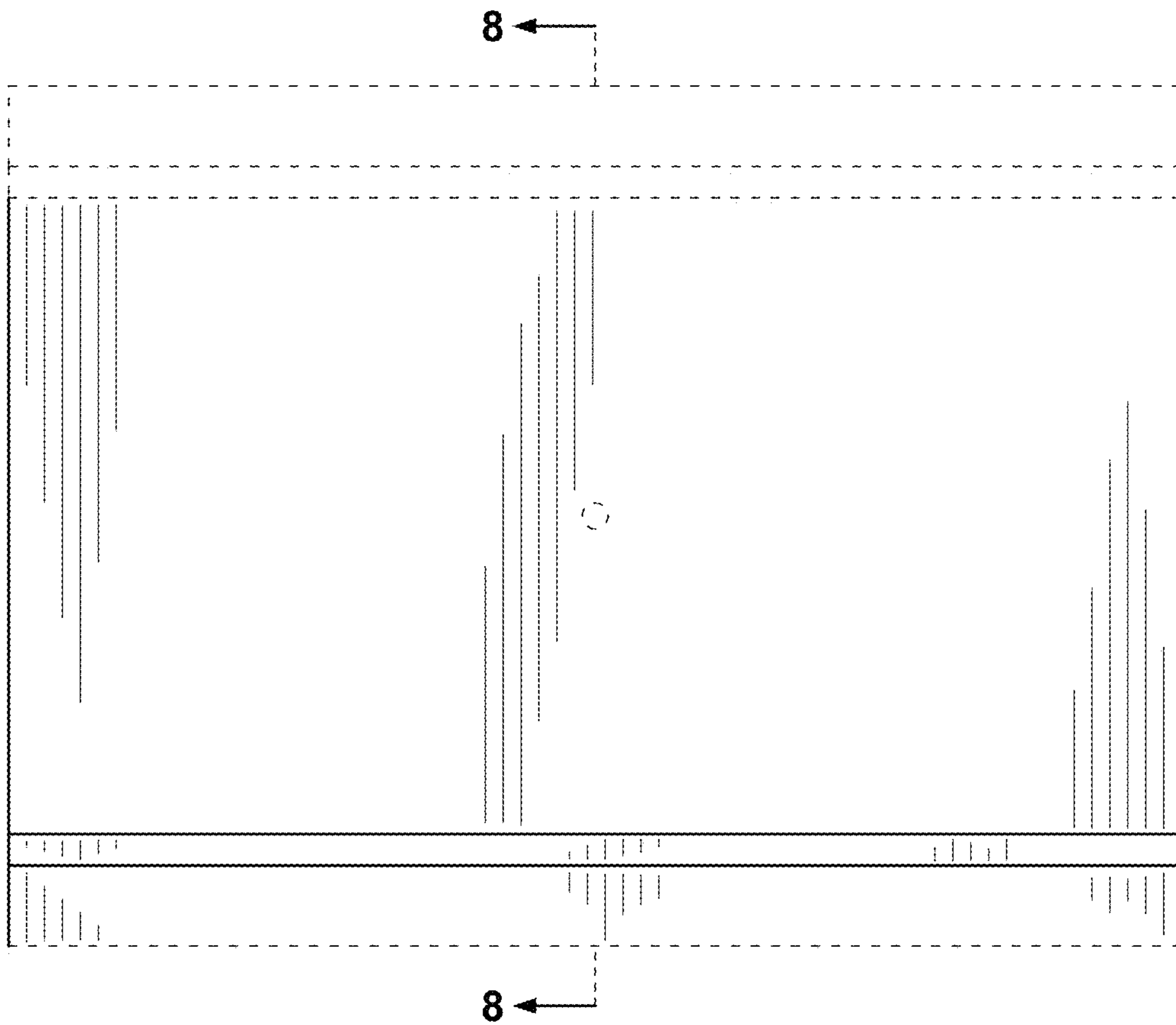


FIG. 2



**FIG. 3**

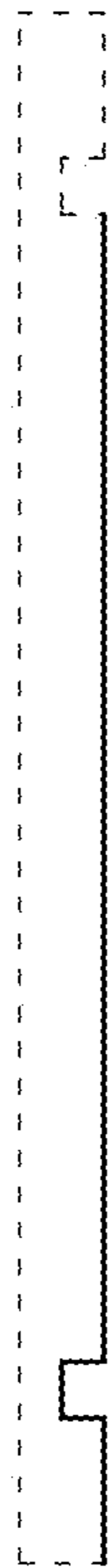


FIG. 4

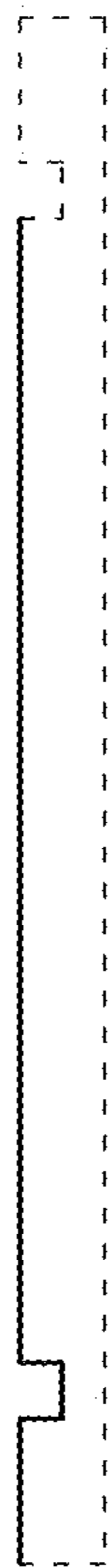


FIG. 5



**FIG. 6**





**FIG. 7**

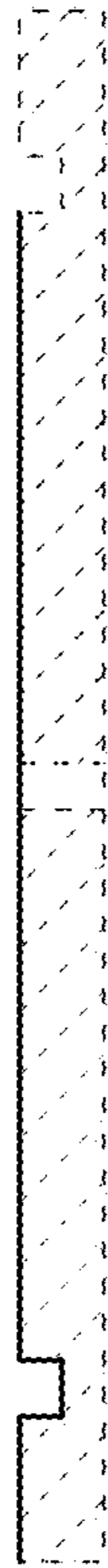


FIG. 8

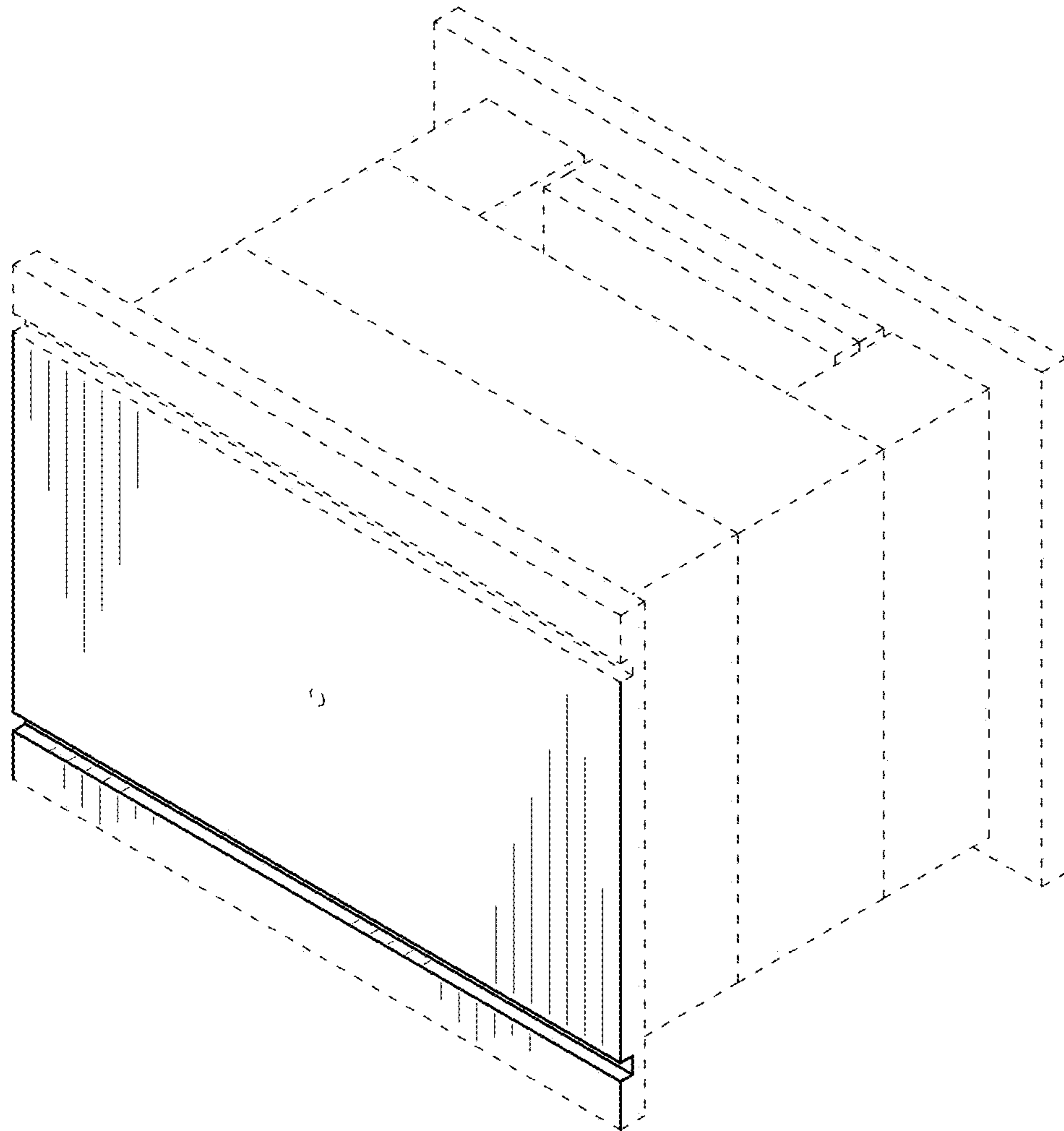


FIG. 9