



US00D915867S

(12) **United States Design Patent**
Axelsson et al.

(10) **Patent No.:** **US D915,867 S**

(45) **Date of Patent:** **** Apr. 13, 2021**

(54) **FASTENING DEVICE**

(71) Applicant: **MAFI AB**, Mora (SE)

(72) Inventors: **Andreas Axelsson**, Malung (SE);
Daniel Boberg, Älvdalen (SE)

(73) Assignee: **MAFI AB**, Mora (SE)

(**) Term: **15 Years**

(21) Appl. No.: **29/698,258**

(22) Filed: **Jul. 16, 2019**

(30) **Foreign Application Priority Data**

Feb. 21, 2019 (EM) 006263893

(51) **LOC (13) Cl.** **08-08**

(52) **U.S. Cl.**
USPC **D8/349**

(58) **Field of Classification Search**
USPC D6/672, 684, 680, 683.1, 703.5; D8/349,
D8/354, 355, 330, 331, 333, 380
CPC F16B 5/00; F16B 5/02; F16B 12/50
See application file for complete search history.

(56) **References Cited**

U.S. PATENT DOCUMENTS

D454,479 S * 3/2002 Kolpin D8/349
D464,557 S * 10/2002 Alejandro D8/349
D625,580 S * 10/2010 Giordano D8/349
D729,040 S * 5/2015 Pelini D8/349

D729,611 S * 5/2015 Schmidt D8/349
D730,331 S * 5/2015 Wong D14/238
D861,464 S * 10/2019 Eveland D8/354
D861,465 S * 10/2019 Haider D8/354
D866,293 S * 11/2019 Gibb D8/349
D876,201 S * 2/2020 Wassdahl D8/349
D888,851 S * 6/2020 Dunahay D21/686
D889,932 S * 7/2020 Zeng D8/331
D891,904 S * 8/2020 Naugler D8/349
D891,915 S * 8/2020 Grewe D8/400
D899,810 S * 10/2020 Chou D6/580
D904,165 S * 12/2020 Jin D8/331
D904,859 S * 12/2020 Mulvoy D8/354

* cited by examiner

Primary Examiner — Garth Rademaker

Assistant Examiner — Benjamin M Weeks

(74) *Attorney, Agent, or Firm* — Nixon & Vanderhye P.C.

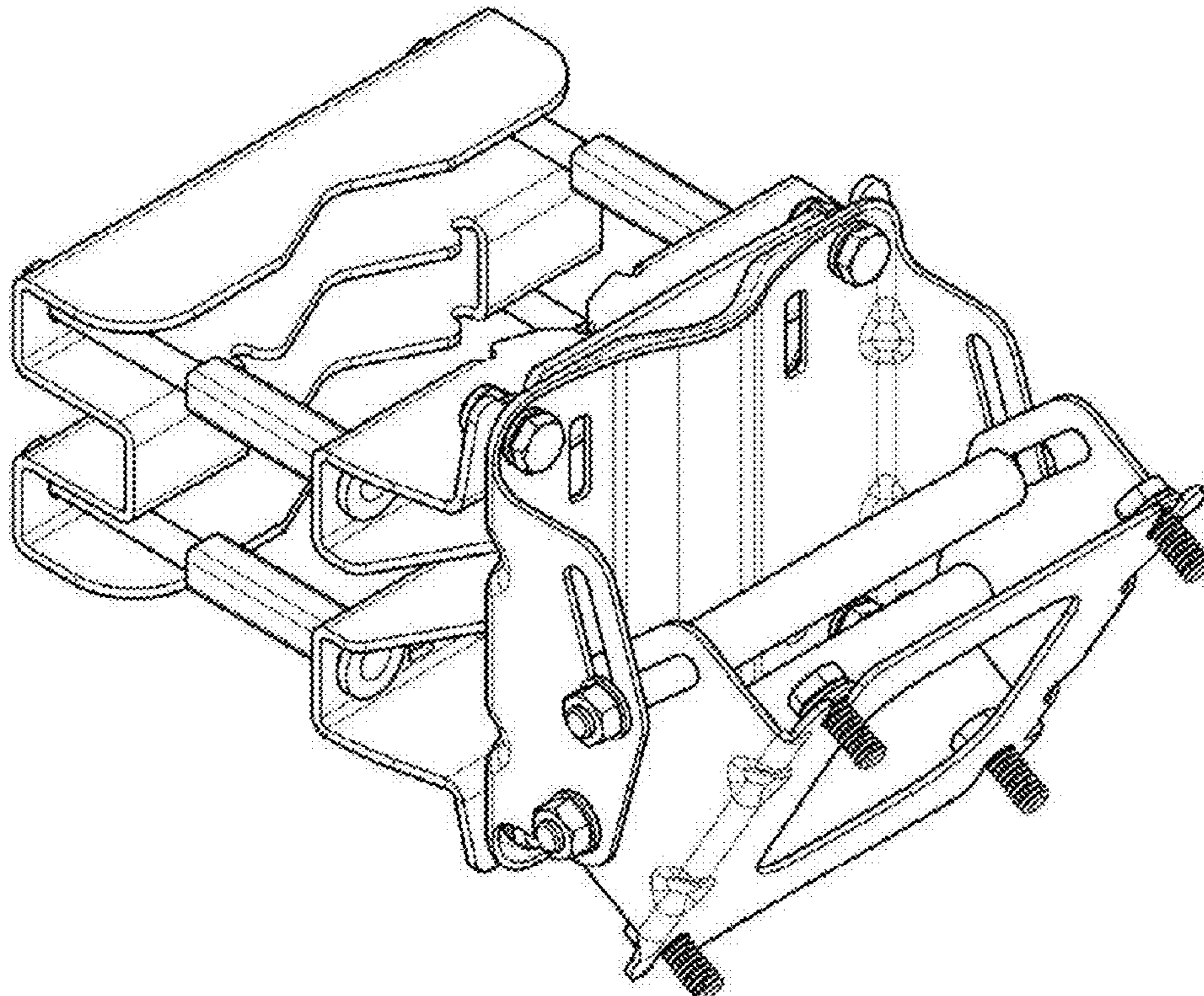
(57) **CLAIM**

The ornamental design for fastening device, as shown and described.

DESCRIPTION

FIG. 1 is a first perspective view of a fastening device;
FIG. 2 is a side view thereof, the opposite side being a mirror
image;
FIG. 3 is a front view thereof;
FIG. 4 is a rear view thereof;
FIG. 5 is a top view thereof;
FIG. 6 is a bottom view thereof; and,
FIG. 7 is a second perspective view thereof.

1 Claim, 7 Drawing Sheets



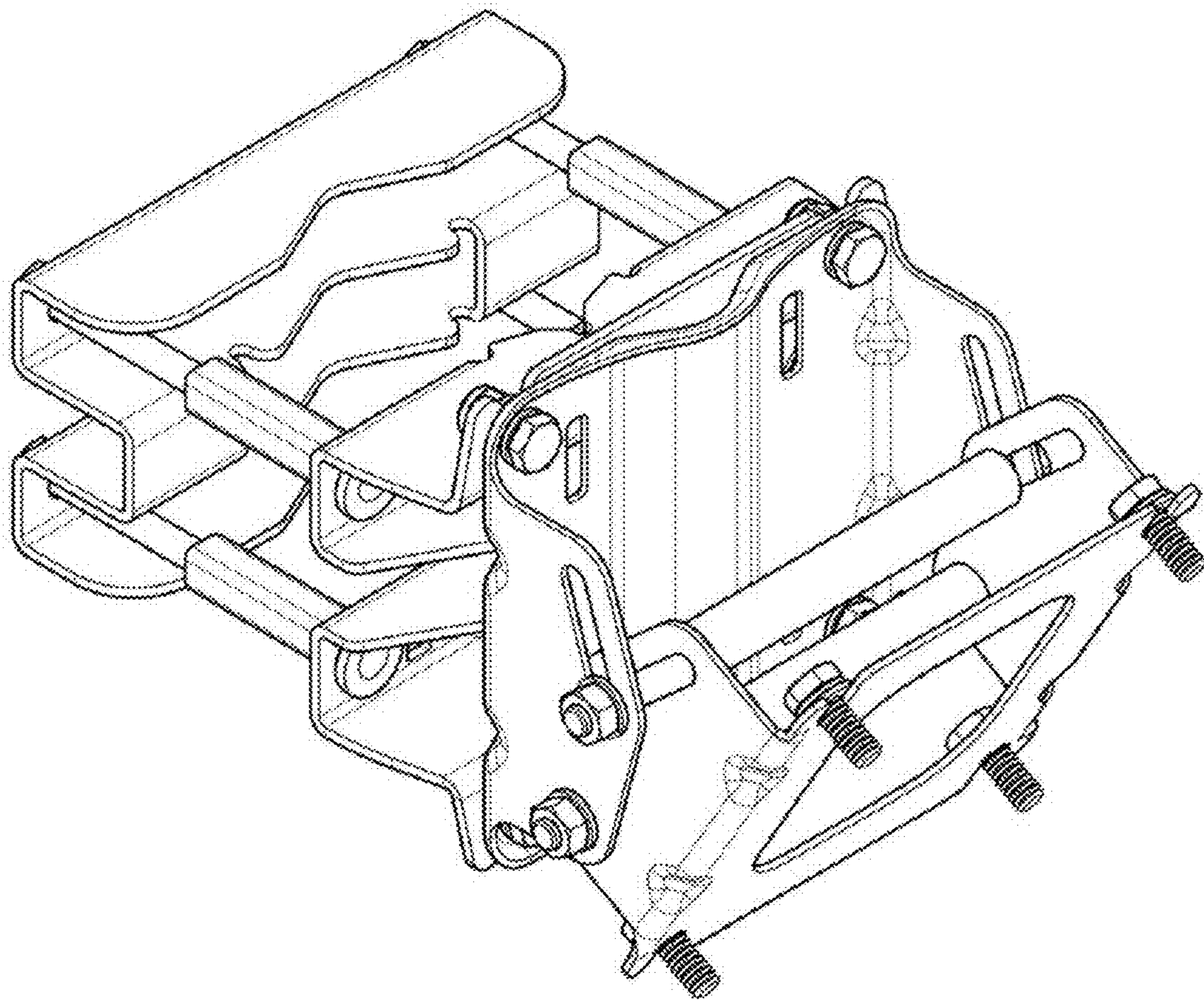


FIG. 1

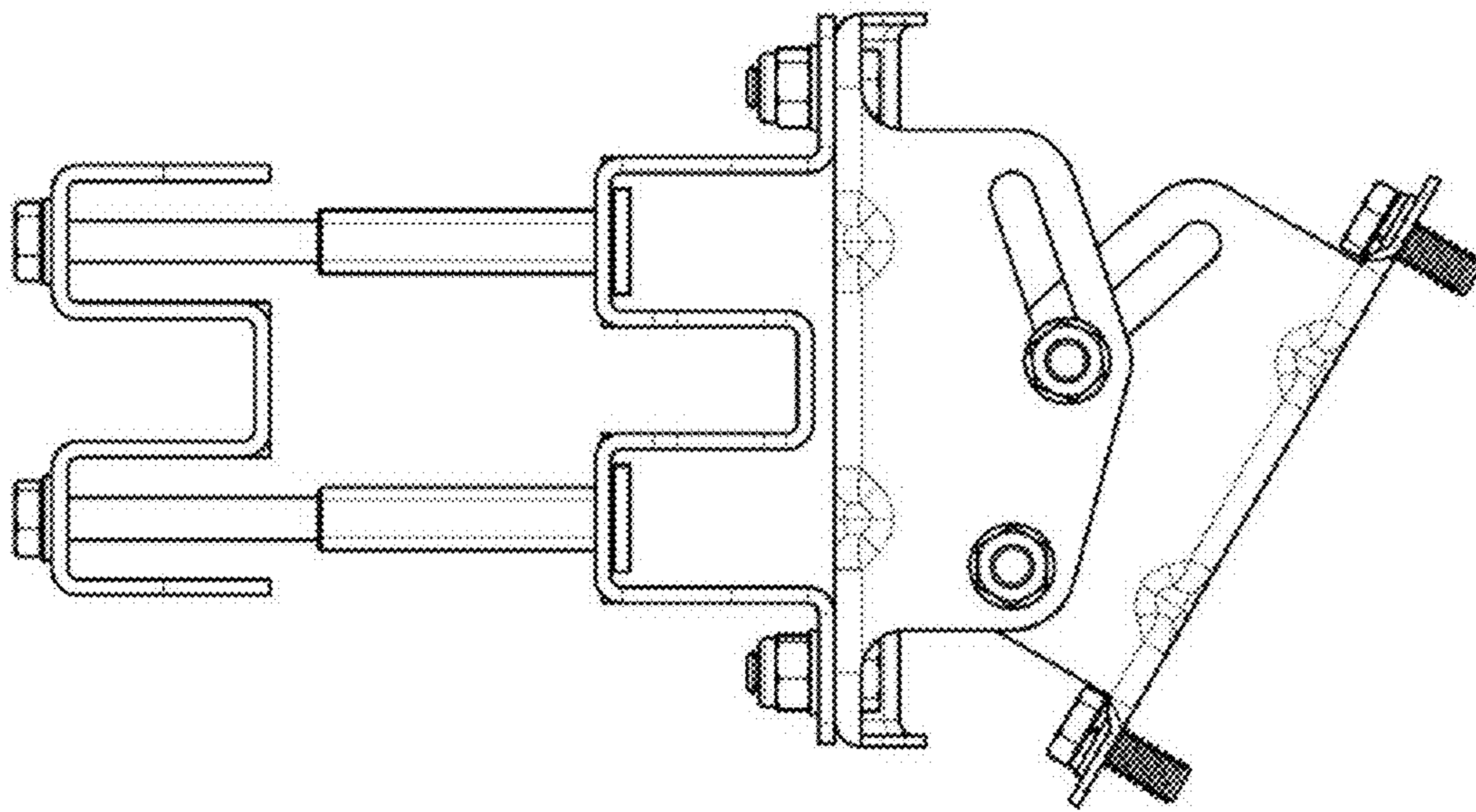


FIG. 2

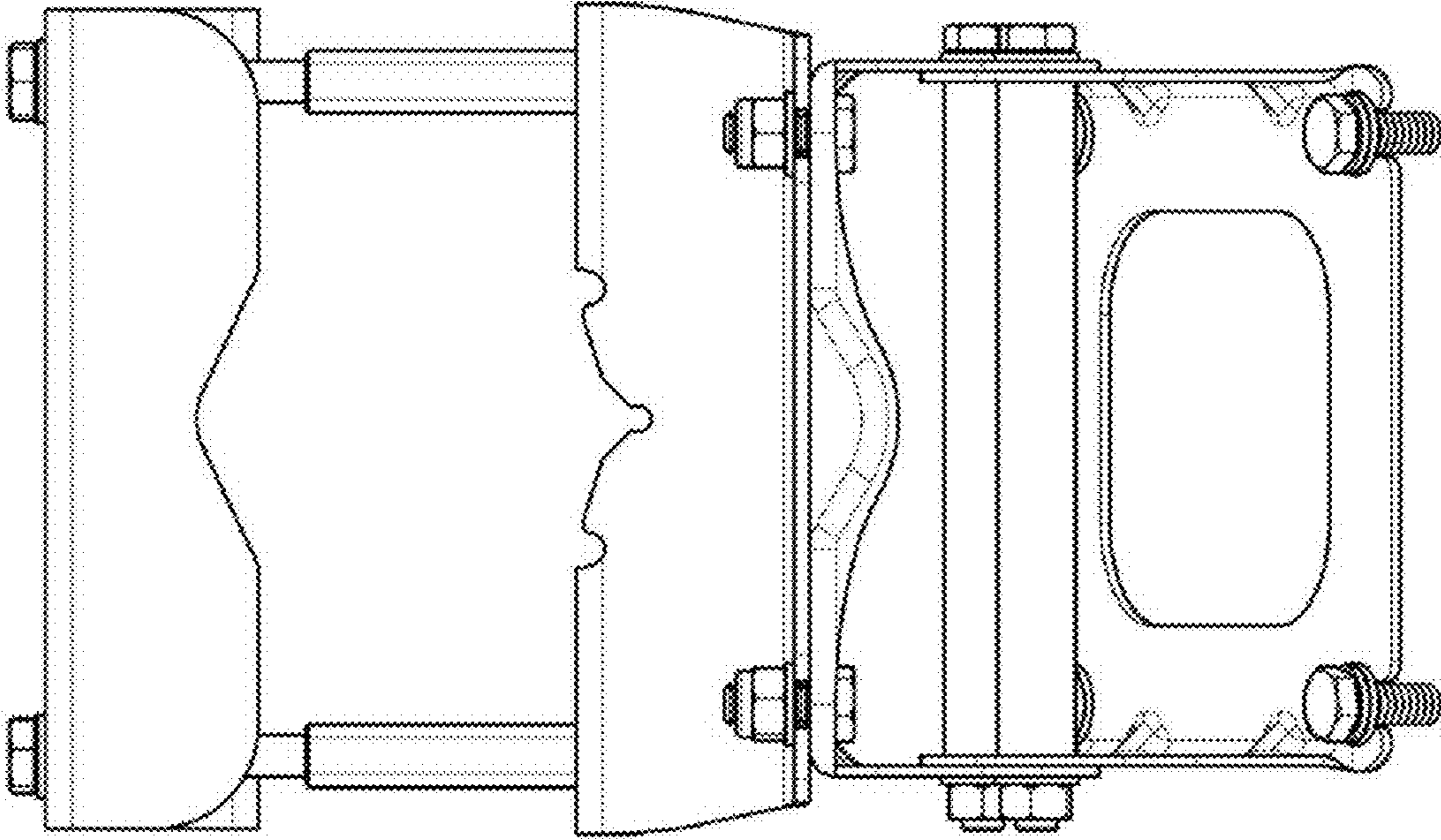


FIG. 3

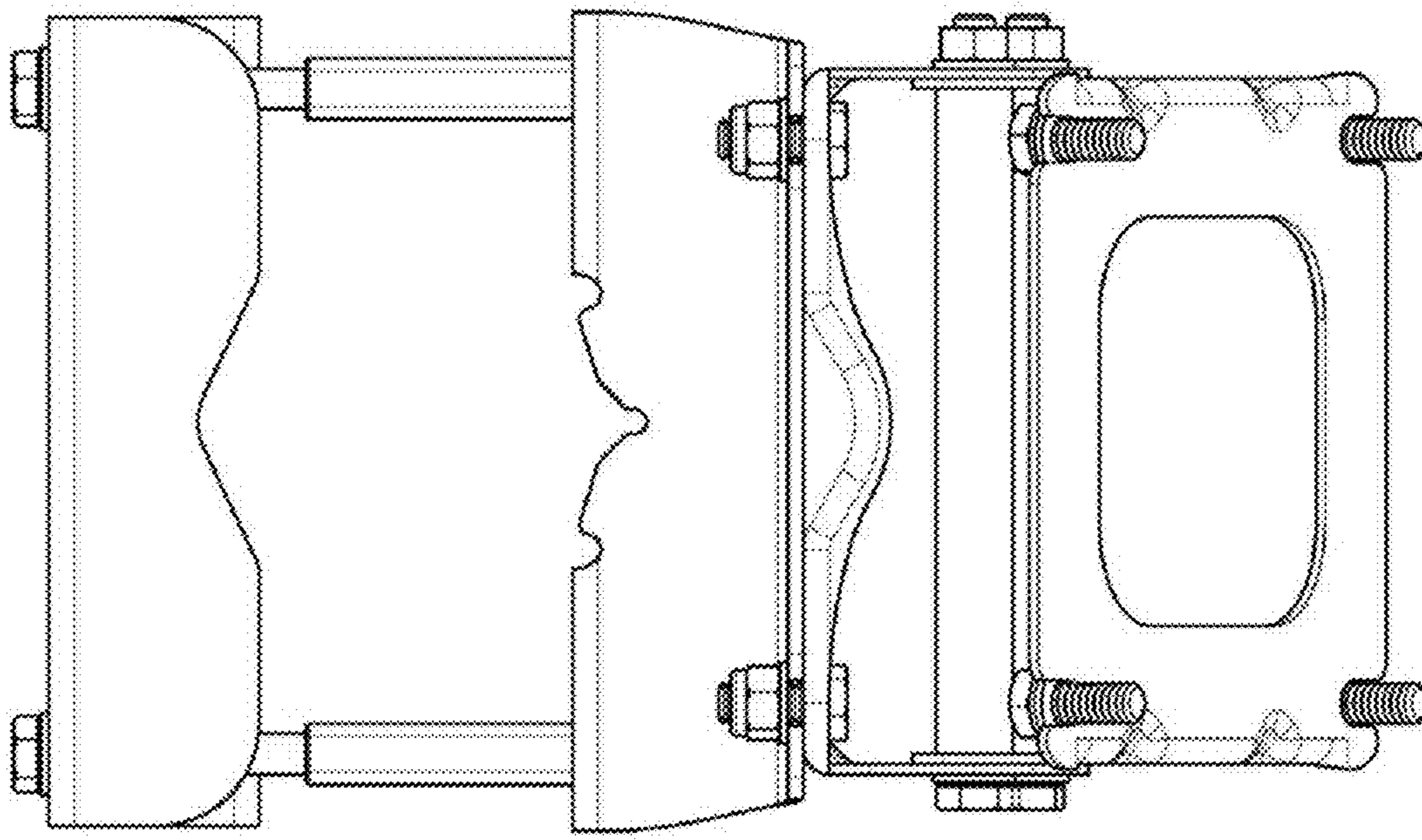


FIG. 4

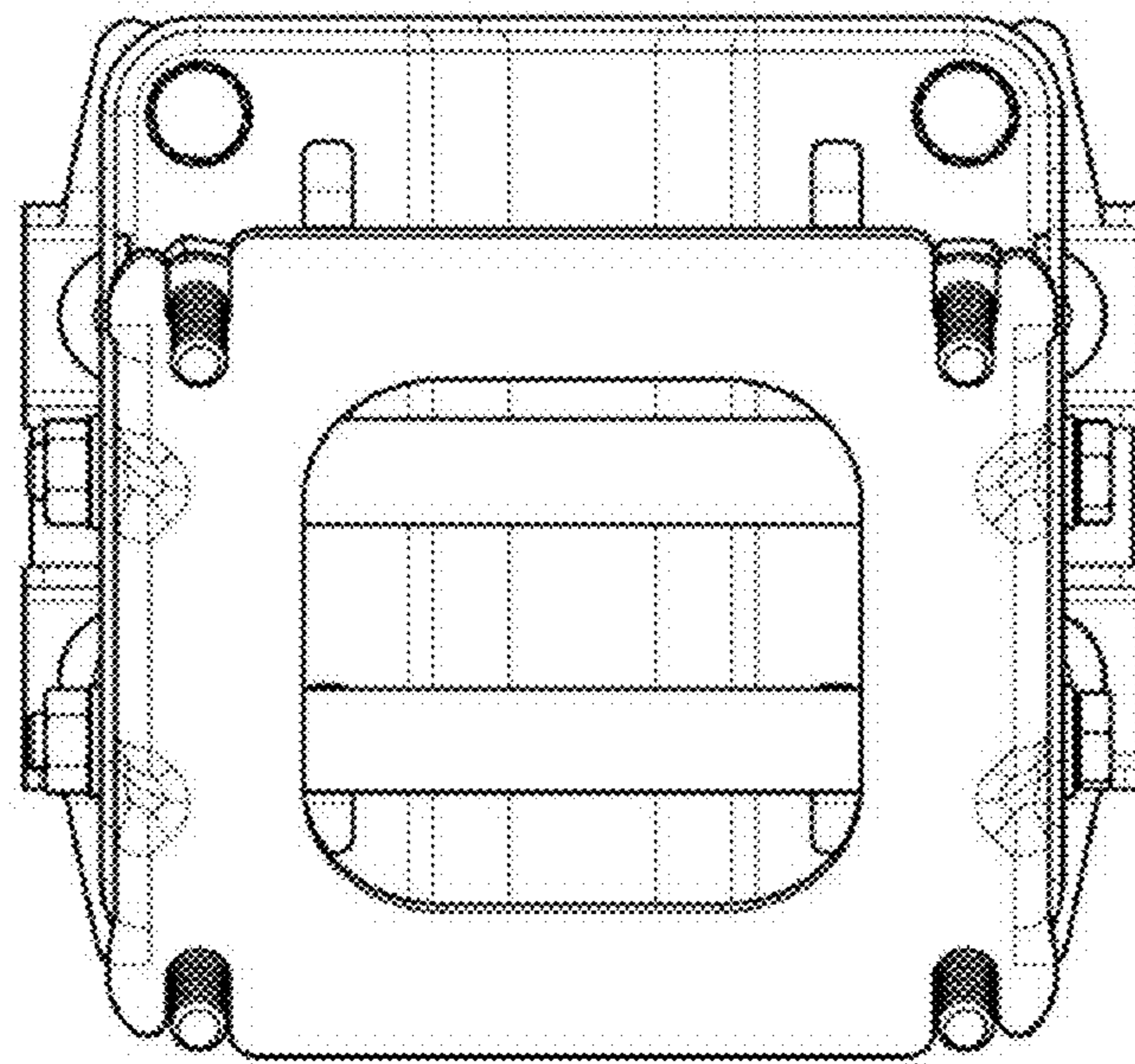


FIG. 5

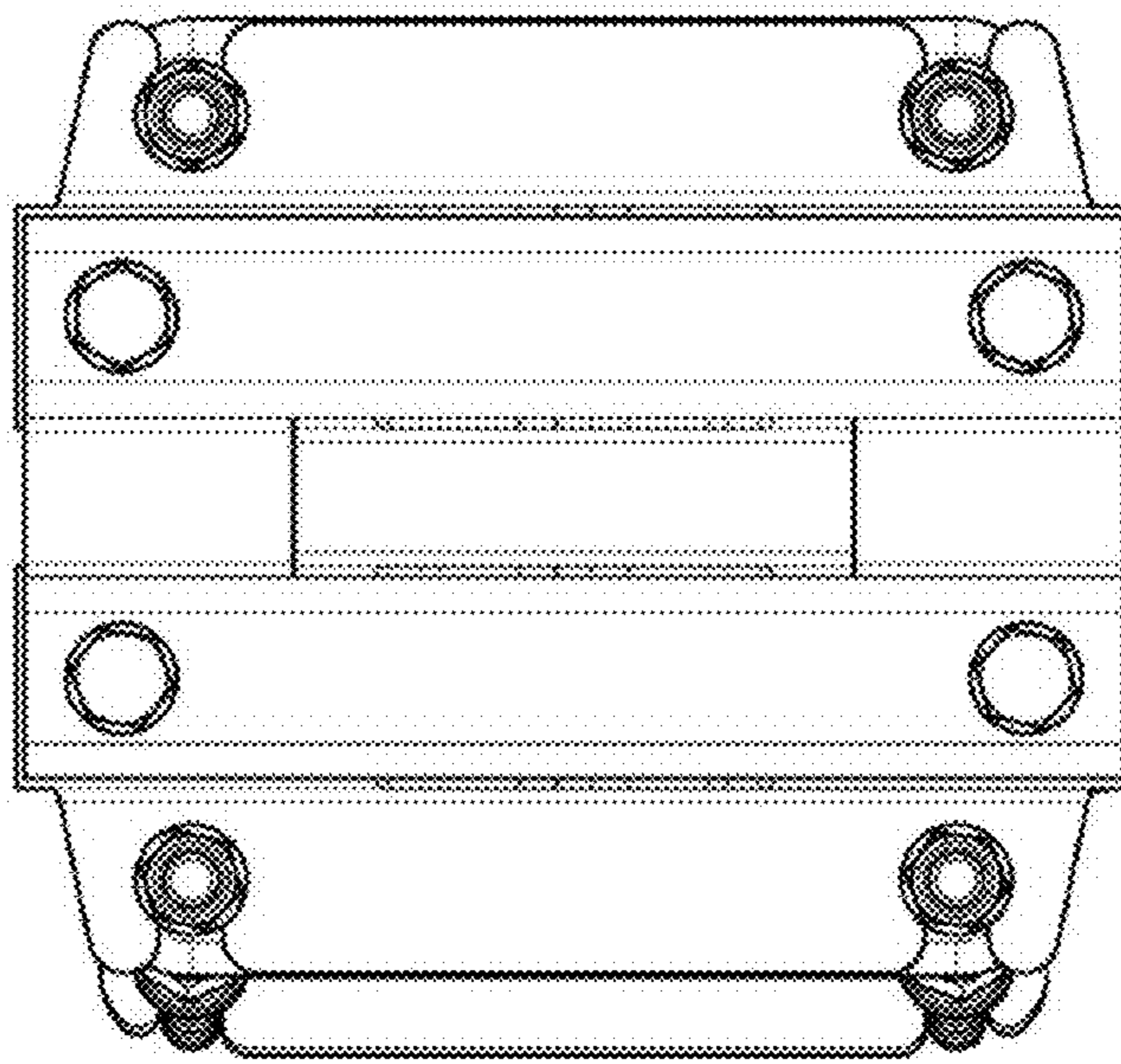


FIG. 6

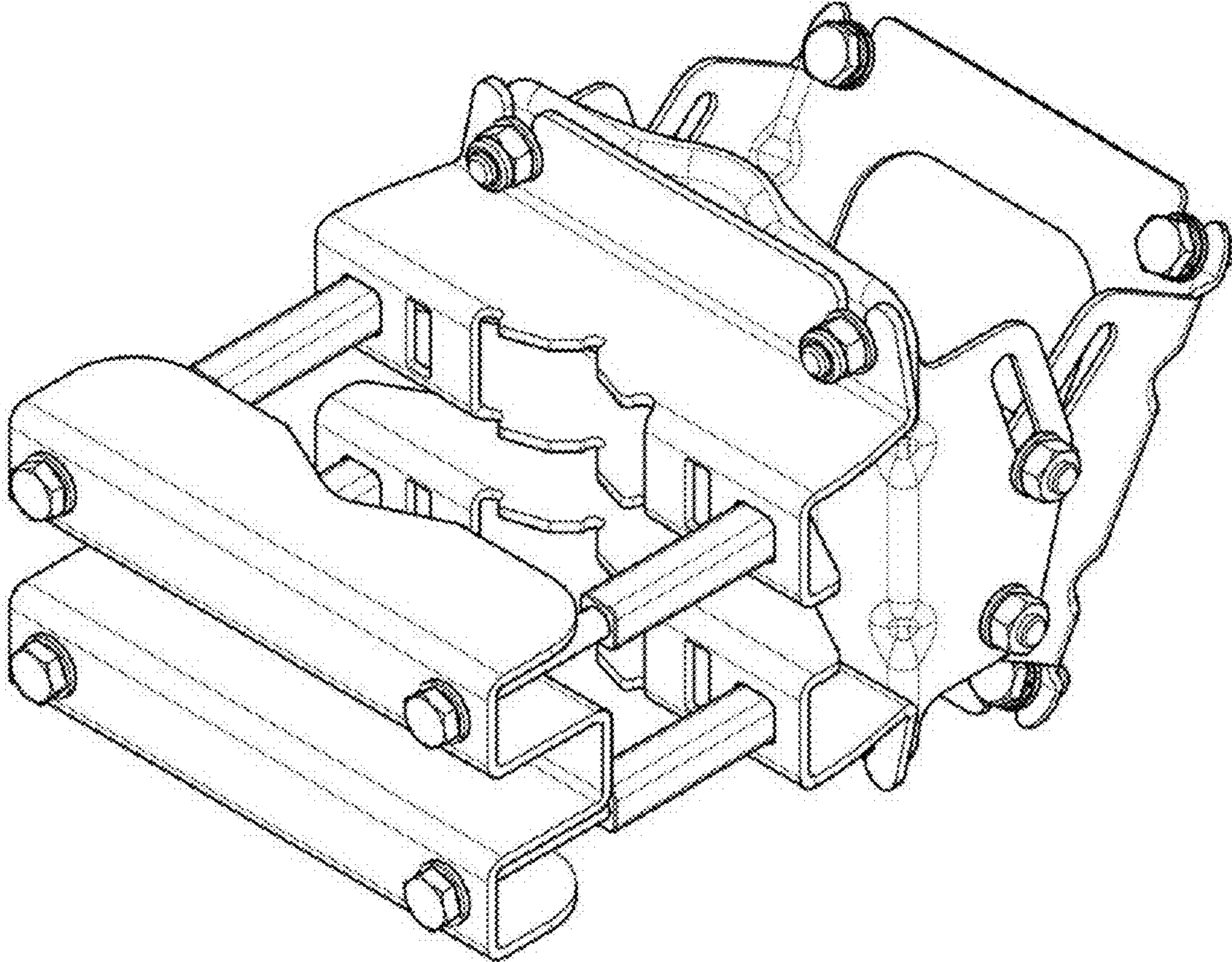


FIG. 7