



US00D915865S

(12) **United States Design Patent**
Choi et al.

(10) **Patent No.:** **US D915,865 S**
(45) **Date of Patent:** **** Apr. 13, 2021**

(54) **SMART KEY FOR CONSTRUCTION MACHINE**

(71) Applicant: **Doosan Infracore Co., Ltd.**, Incheon (KR)

(72) Inventors: **Seula Choi**, Incheon (KR); **Minki Kim**, Incheon (KR); **Yoojeung Lim**, Incheon (KR); **Sunwook Kwack**, Incheon (KR)

(73) Assignee: **DOOSAN INFRACORE CO., LTD.**, Incheon (KR)

(**) Term: **15 Years**

(21) Appl. No.: **29/693,669**

(22) Filed: **Jun. 4, 2019**

(30) **Foreign Application Priority Data**

Dec. 11, 2018 (KR) 30-2018-0058353

(51) **LOC (13) Cl.** **08-07**

(52) **U.S. Cl.**
USPC **D8/347; D13/136**

(58) **Field of Classification Search**
USPC D8/349, 382-399, 342-345, 347, 348, D8/330, 331; D3/201, 208, 207; D13/167, 168, 171, 169, 123, 158
CPC A45F 5/021; A45F 2200/0558; A45F 5/02; G07C 2009/00984; G07C 9/00944; G07C 9/00; A44B 15/00; H04M 1/72541; H04M 1/6775; H04M 2250/10; H04W 76/50; G05G 1/02; B60R 25/00; G08B 25/08; H01M 2/1044; H01M 2/08; Y02E 60/10; A45C 11/32; A45C 13/008
See application file for complete search history.

(56) **References Cited**

U.S. PATENT DOCUMENTS

D543,351 S * 5/2007 Bates D3/207
D639,547 S * 6/2011 Stefanov D3/207

D710,185 S * 8/2014 Kirzinger D8/347
D730,150 S * 5/2015 Kirzinger D8/347
D743,240 S * 11/2015 Bachorski D8/347
D744,811 S * 12/2015 Bischoff D8/347
D749,398 S * 2/2016 Bachorski D8/347
D772,038 S * 11/2016 Bischoff D8/347

(Continued)

FOREIGN PATENT DOCUMENTS

CN 303985015 * 8/2016
CN 304202826 * 12/2016

(Continued)

OTHER PUBLICATIONS

Coolbestda Store, 2Pcs Coolbestda Rubber 4 Buttons Key Fob Remote Cover Case Protector Keyless, Date first available May 9, 2017, [online]retrieved Jan. 5, 2021, available from internet, https://www.amazon.com/Coolbestda-Buttons-Protector-Keyless-Grandeur/dp/B07143K551/ref=sr_1_147?d (Year: 2017).*

(Continued)

Primary Examiner — Keli L Hill

Assistant Examiner — Sara S Sahneh

(74) *Attorney, Agent, or Firm* — K&L Gates LLP

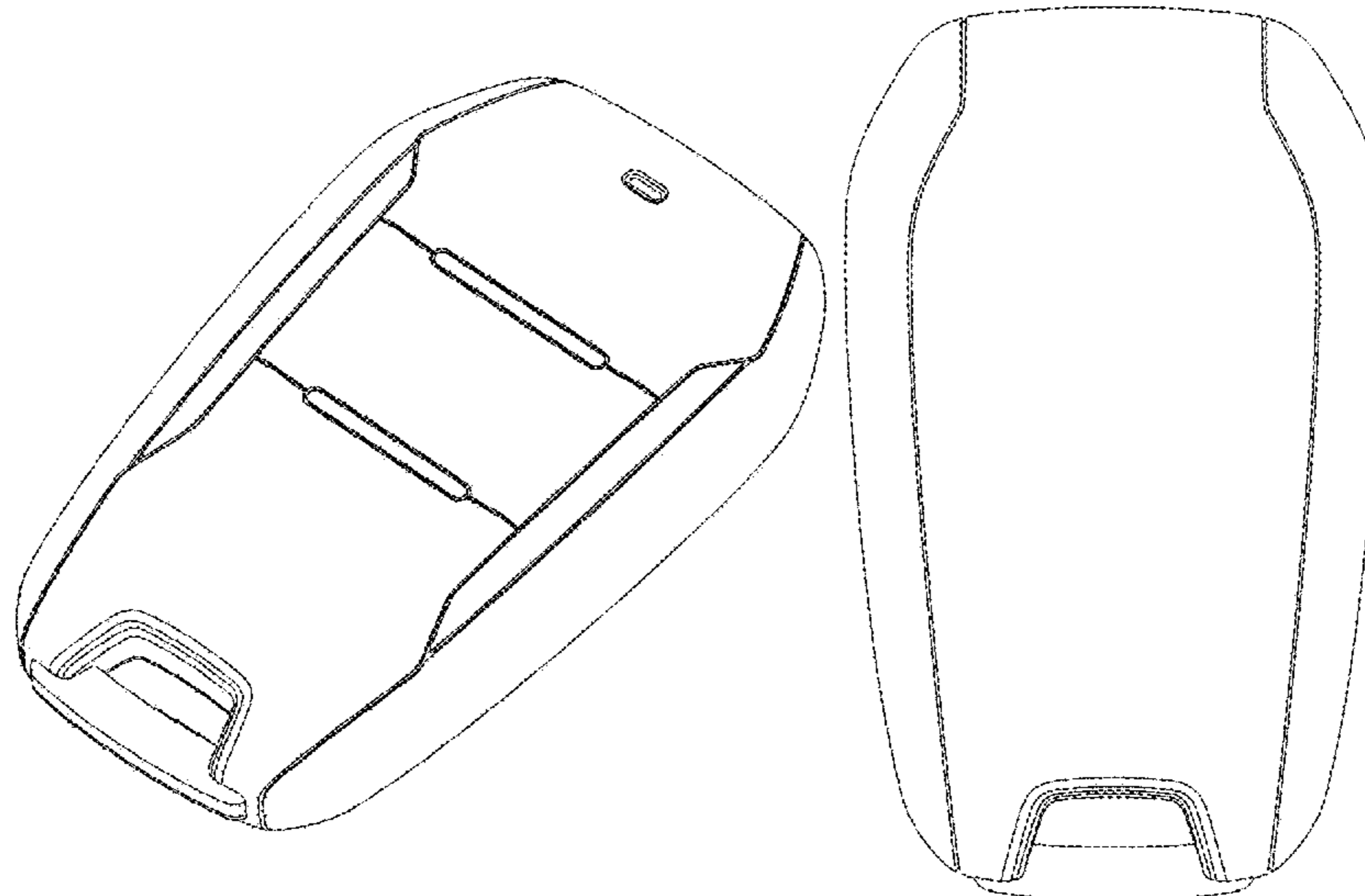
(57) **CLAIM**

The ornamental design for a smart key for construction machine, as shown and described herein.

DESCRIPTION

FIG. 1 is a perspective view of a smart key for construction machine showing the new design;
FIG. 2 is a front view thereof;
FIG. 3 is a rear view thereof;
FIG. 4 is a left-side view thereof;
FIG. 5 is a right-side view thereof;
FIG. 6 is a top view thereof; and,
FIG. 7 is a bottom view thereof.

1 Claim, 6 Drawing Sheets



(56)

References Cited

U.S. PATENT DOCUMENTS

D844,574 S * 4/2019 Kandler D13/168
D881,253 S * 4/2020 Tang D16/201
D898,686 S * 10/2020 Lan D13/168
2019/0159563 A1* 5/2019 Song A45C 13/008
2020/0342701 A1* 10/2020 Wiczorek G07C 9/00944

FOREIGN PATENT DOCUMENTS

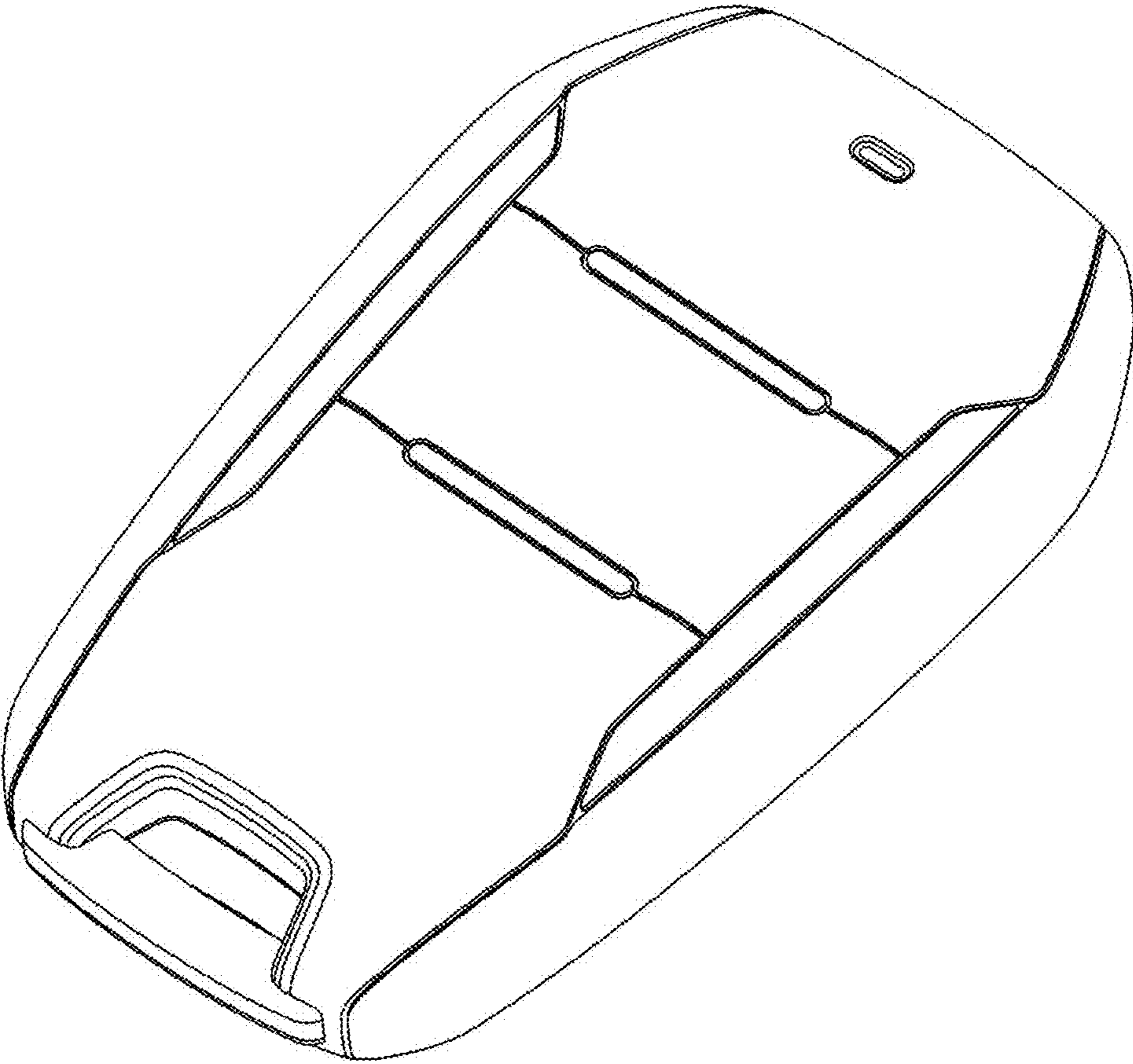
CN 305283097 * 9/2018
CN 305755733 * 11/2019
CN 306061723 * 4/2020
CN 306145947 * 7/2020
KR 301029823.0000 * 3/2019

OTHER PUBLICATIONS

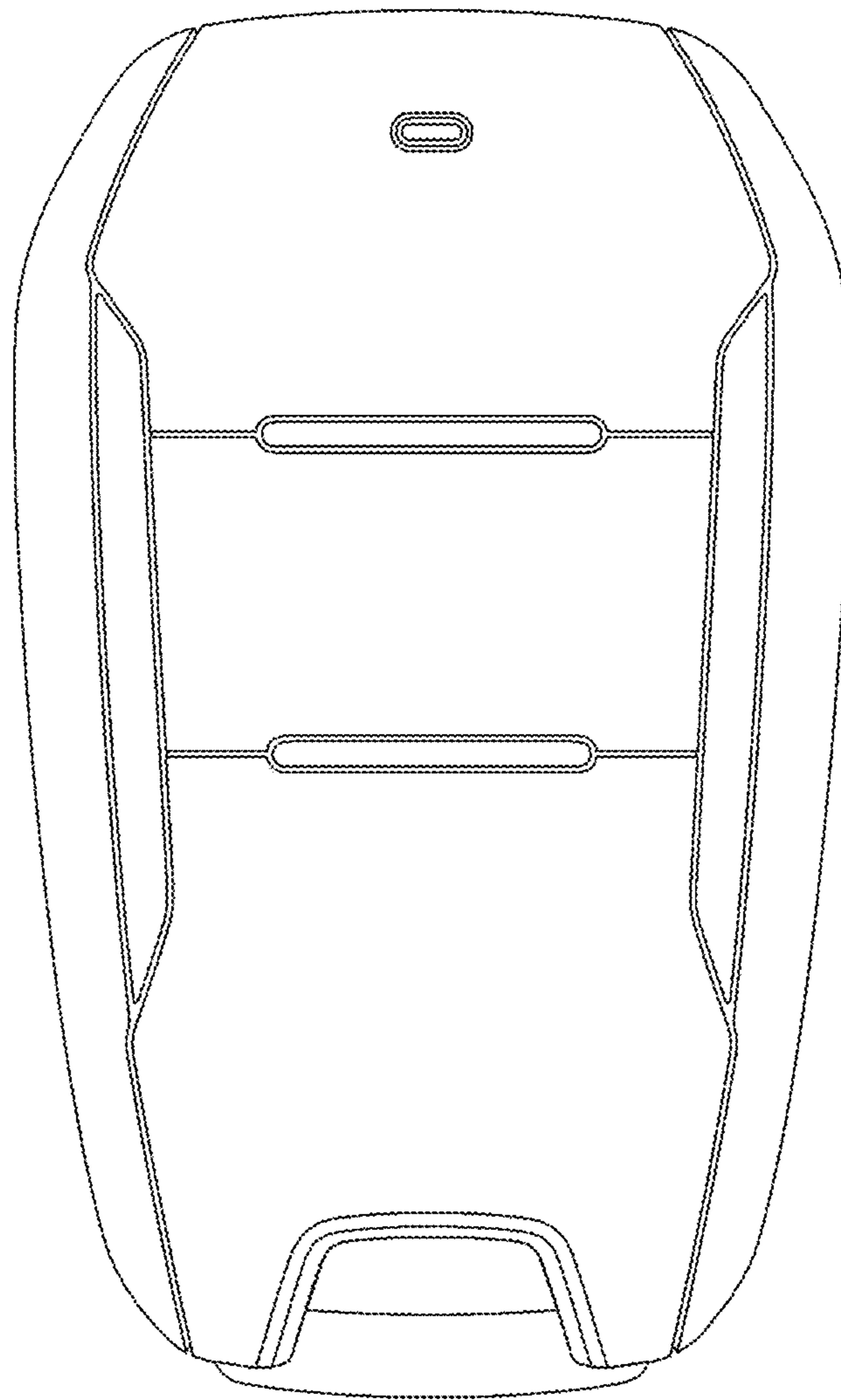
VON0FO Car Key Fob Fits Ford, Fusion 2013 2014 2015 2016,
Keyless Entry Remote Flip Key Fob, Date first available Jun. 20,
2019, [online]retrieved Jan. 5, 2021, available from internet, [https://
www.amazon.com/2013-Fusion-Keyless-Entry-Remote/dp/
B07RYM3XZH/ref=pd_sbs_263_11?_encoding=UTF8&pd_rd_i=
B07](https://www.amazon.com/2013-Fusion-Keyless-Entry-Remote/dp/B07RYM3XZH/ref=pd_sbs_263_11?_encoding=UTF8&pd_rd_i=B07) (Year: 2019).*

* cited by examiner

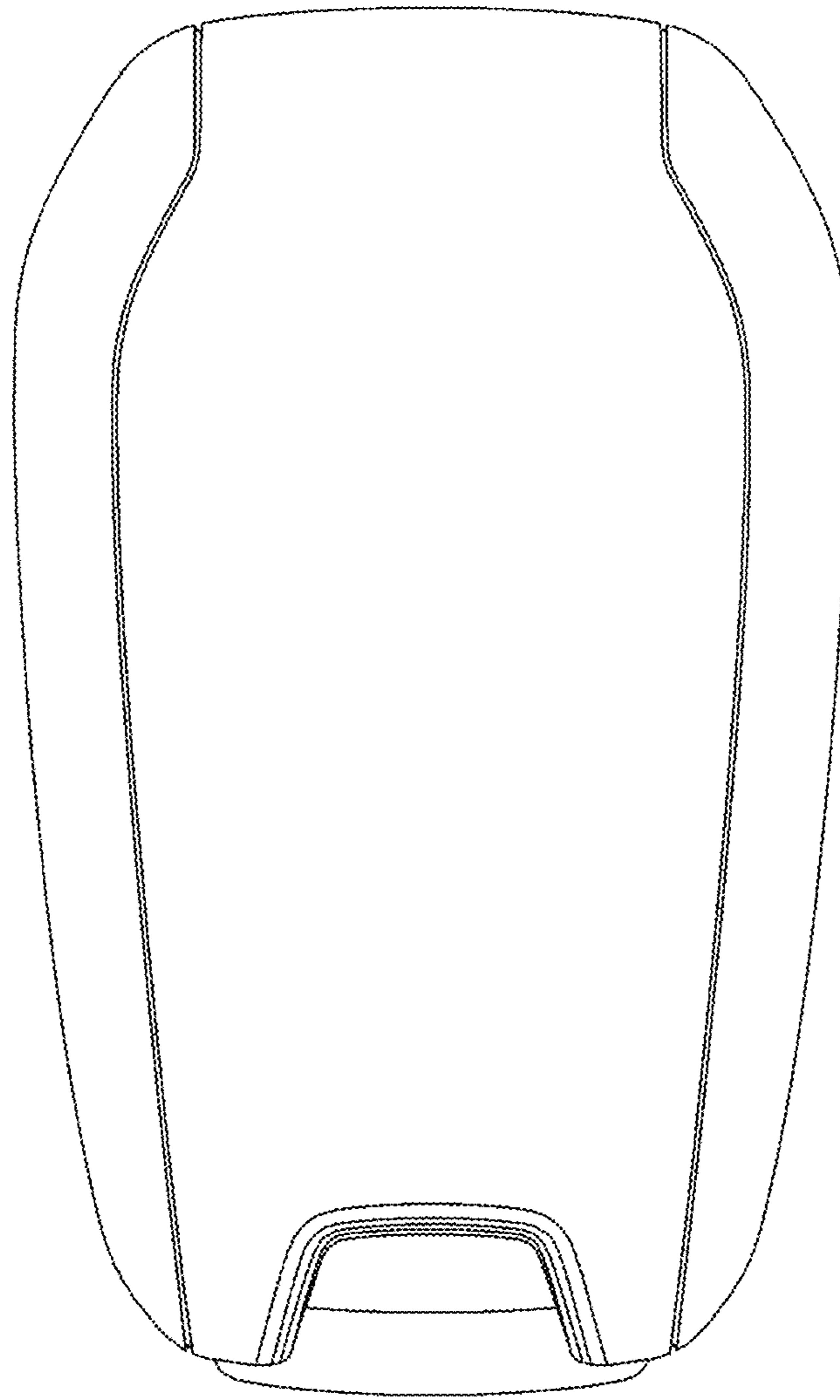
[FIG 1]



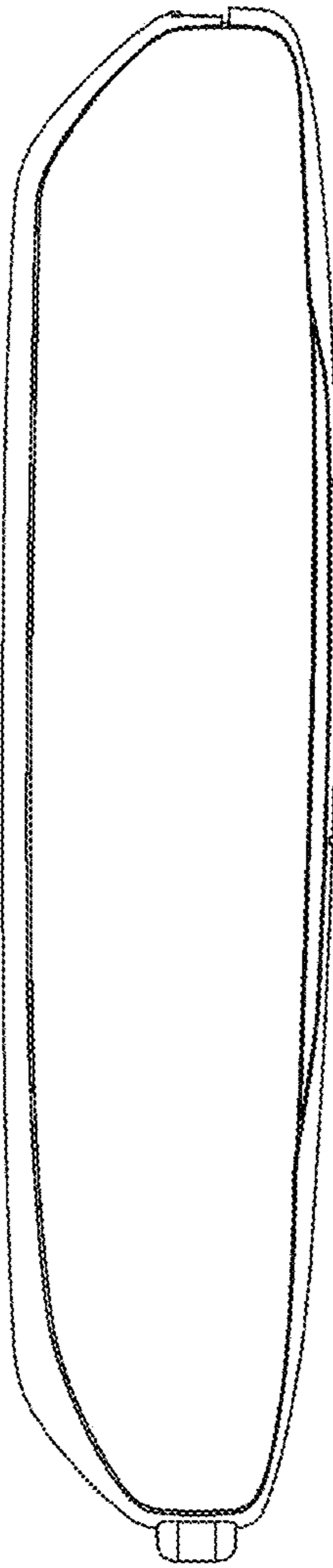
【FIG 2】



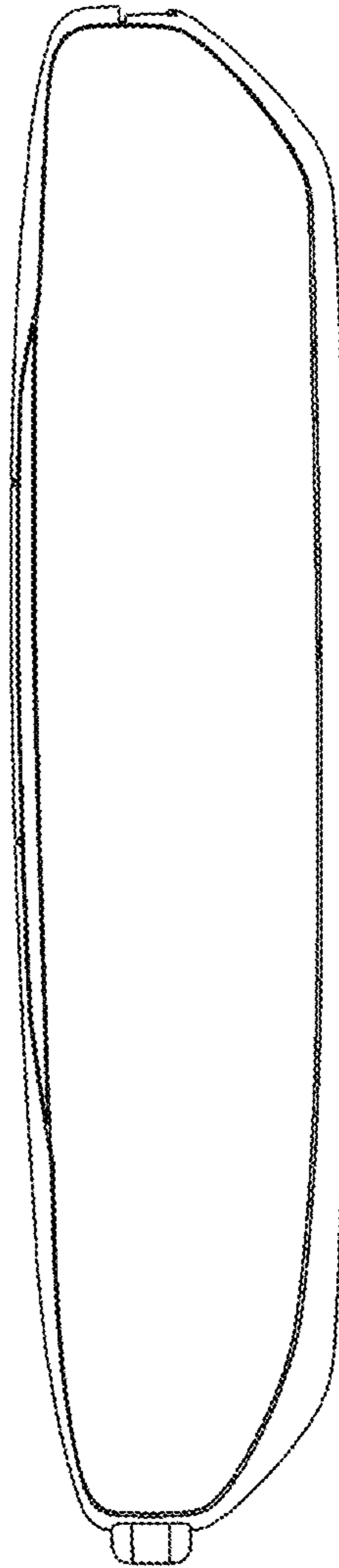
【FIG 3】



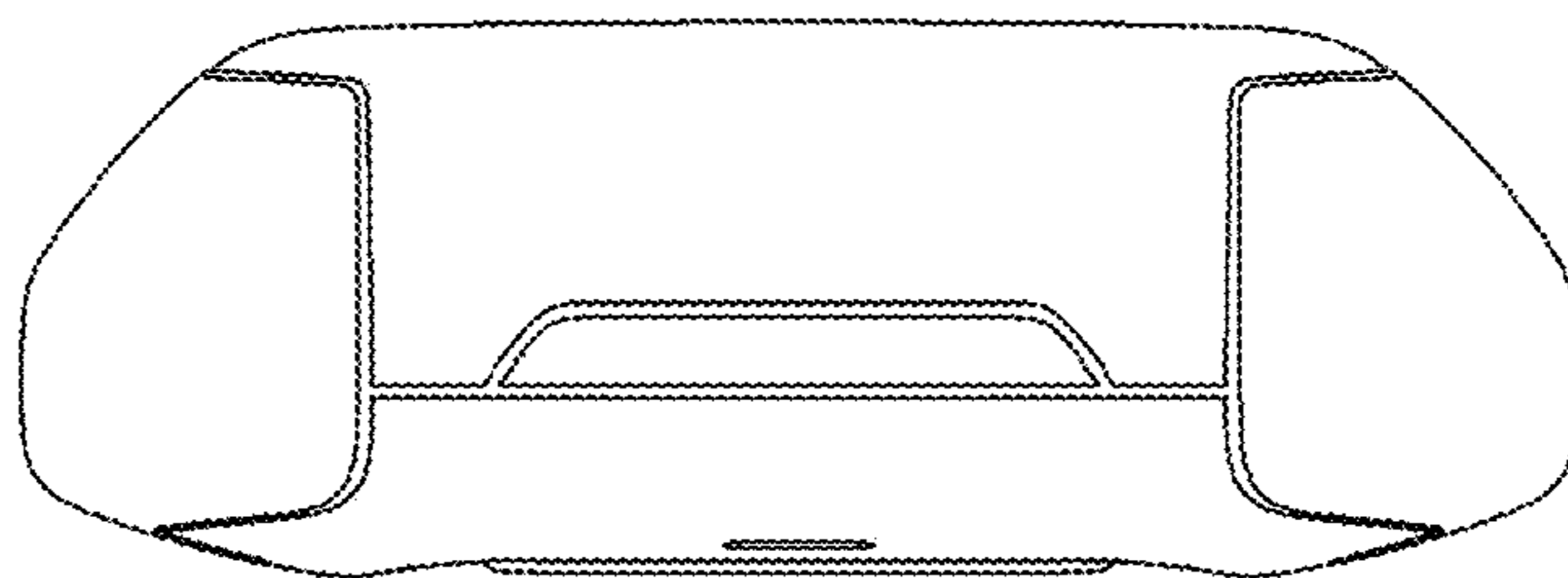
【FIG 4】



【FIG 5】



【FIG 6】



【FIG 7】

