



US00D915864S

(12) **United States Design Patent**
Zhu et al.

(10) **Patent No.:** **US D915,864 S**

(45) **Date of Patent:** **** Apr. 13, 2021**

(54) **SMART LOCK**

(71) Applicants: **Andy Zhu**, Guangdong (CN); **Martin Yu**, SiChuan (CN)

(72) Inventors: **Andy Zhu**, Guangdong (CN); **Martin Yu**, SiChuan (CN)

(73) Assignee: **Guangdong Anytek Information Technology Co., Ltd.**, Guangdong (CN)

(**) Term: **15 Years**

(21) Appl. No.: **29/670,780**

(22) Filed: **Nov. 20, 2018**

(51) **LOC (13) Cl.** **08-07**

(52) **U.S. Cl.**
USPC **D8/334; D8/333**

(58) **Field of Classification Search**
USPC D8/330-349, 382, 383, 394-396;
70/14-28, 57, 571.1, 58, 141-143, 114,
70/158, 224, 226, 431, 465; 292/299,
292/307 R; 24/16 R, 17 B
CPC E05B 71/00; E05B 73/005; E05B 17/142;
E05B 37/0068; E05B 37/025; E05B
37/08; E05B 69/003; E05B 67/063; E05B
67/22; E05B 67/24; E05B 67/28; E05B
67/32; E05B 67/36; E05B 67/365; E05B
67/38; E05B 67/383; E05B 37/004; B62H
5/001

See application file for complete search history.

(56) **References Cited**

U.S. PATENT DOCUMENTS

D472,129 S * 3/2003 Hill D8/333
D499,634 S * 12/2004 Dolan D8/330
7,926,215 B2 * 4/2011 Riker E05B 19/0005
40/654.01
8,307,677 B2 * 11/2012 Larson A45C 11/325
70/456 R

D815,509 S * 4/2018 Kang D8/334
D821,847 S * 7/2018 Gillespie, IV D8/334
2009/0183540 A1 * 7/2009 Lu E05B 67/063
70/237
2012/0279264 A1 * 11/2012 Yu E05B 67/06
70/21

(Continued)

FOREIGN PATENT DOCUMENTS

CN 304676547 * 3/2018
CN 304917261 * 5/2018

(Continued)

OTHER PUBLICATIONS

YWNYT,Electronic Fingerprint Padlock, Keyless Smart Lock, Anti-Theft Security Travel Lock, USB Recharge Biometric Lock, Date first available Sep. 3, 2019, [online]retrieved Jul. 23, 2020, available from internet, www.amazon.com (Year: 2019).*

Primary Examiner — Keli L Hill

Assistant Examiner — Sara S Sahneh

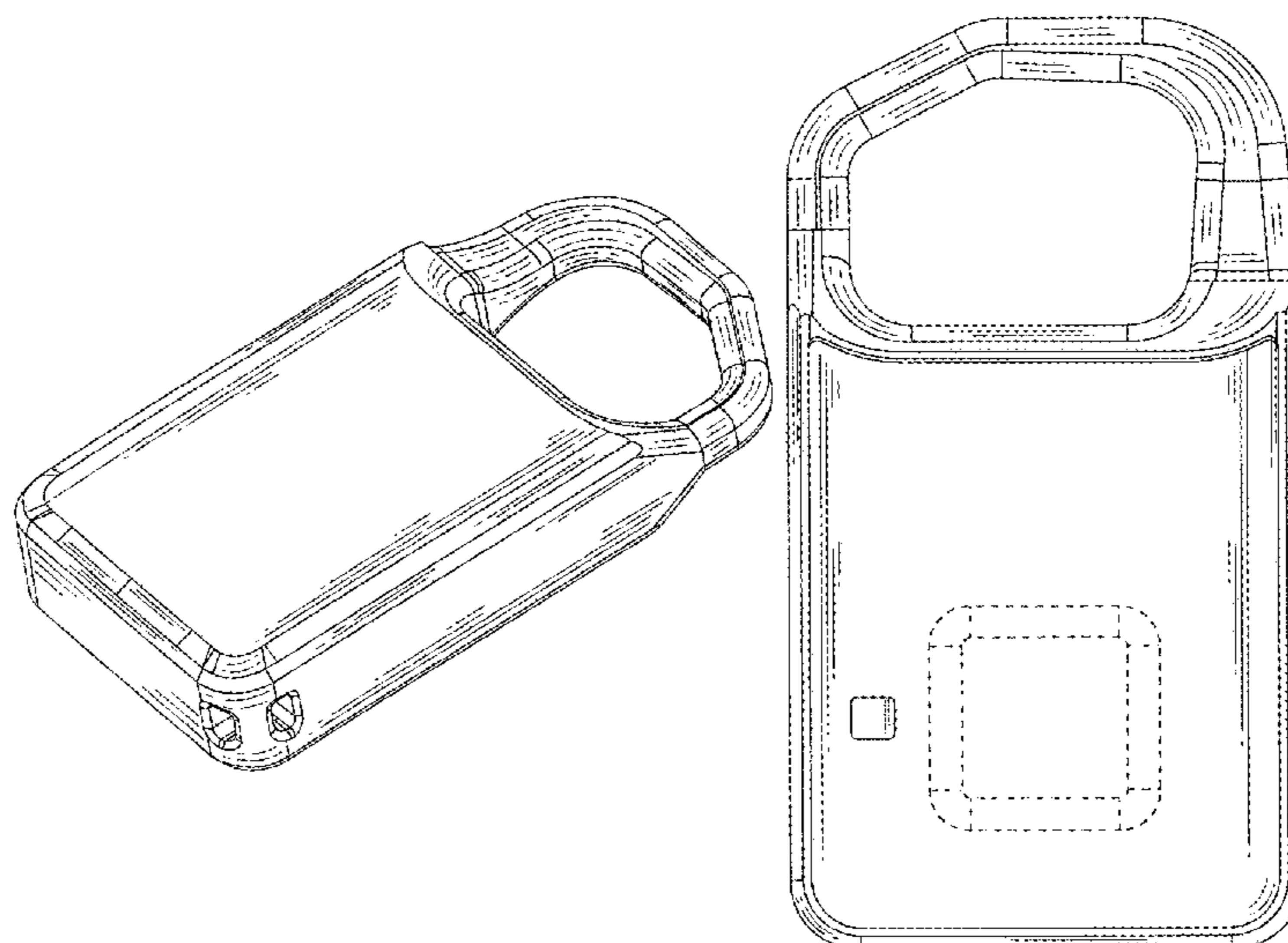
(57) **CLAIM**

The ornamental design for a smart lock, as shown and described.

DESCRIPTION

FIG. 1 is a perspective view of a smart lock showing my new design;
FIG. 2 is a front elevational view thereof;
FIG. 3 is a rear elevational view thereof;
FIG. 4 is a left side elevational view thereof;
FIG. 5 is a right side elevational view thereof;
FIG. 6 is a top plan view thereof;
FIG. 7 is a bottom plan view thereof; and,
FIG. 8 is a perspective view thereof shown the open state.
The broken line showing of smart lock is included for purpose of illustrating portions of the article and form no part of the claimed design.

1 Claim, 8 Drawing Sheets



(56)

References Cited

U.S. PATENT DOCUMENTS

2014/0250953 A1* 9/2014 Briggs G07C 9/00182
70/14
2015/0013398 A1* 1/2015 Taylor E05B 73/0017
70/20
2017/0081881 A1* 3/2017 Yang E05B 37/02

FOREIGN PATENT DOCUMENTS

CN 305200618 * 7/2018
CN 2019-91956 A * 10/2018 E06B 67/22
CN 2020-04286 W * 1/2020 E06B 67/02

* cited by examiner

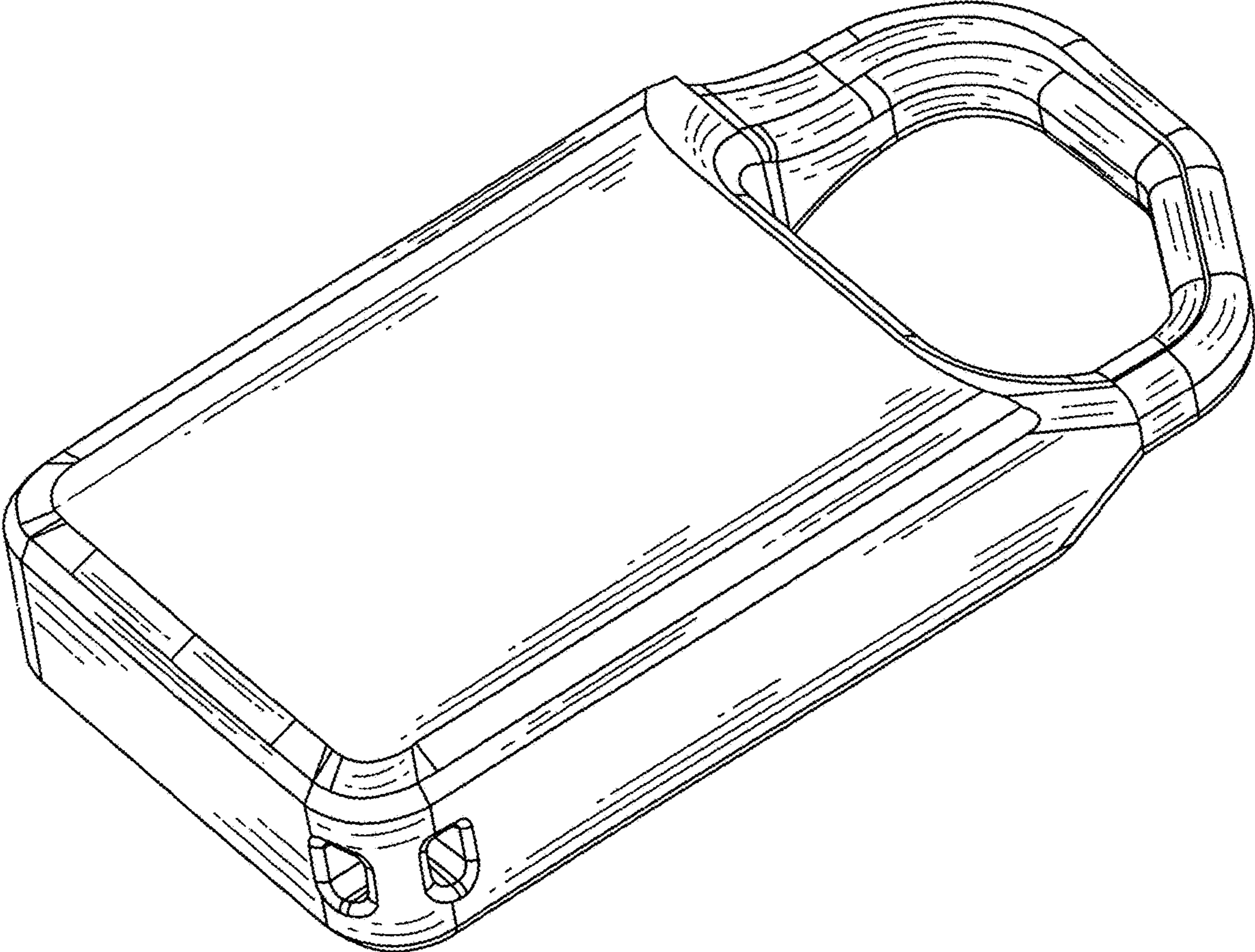


FIG. 1

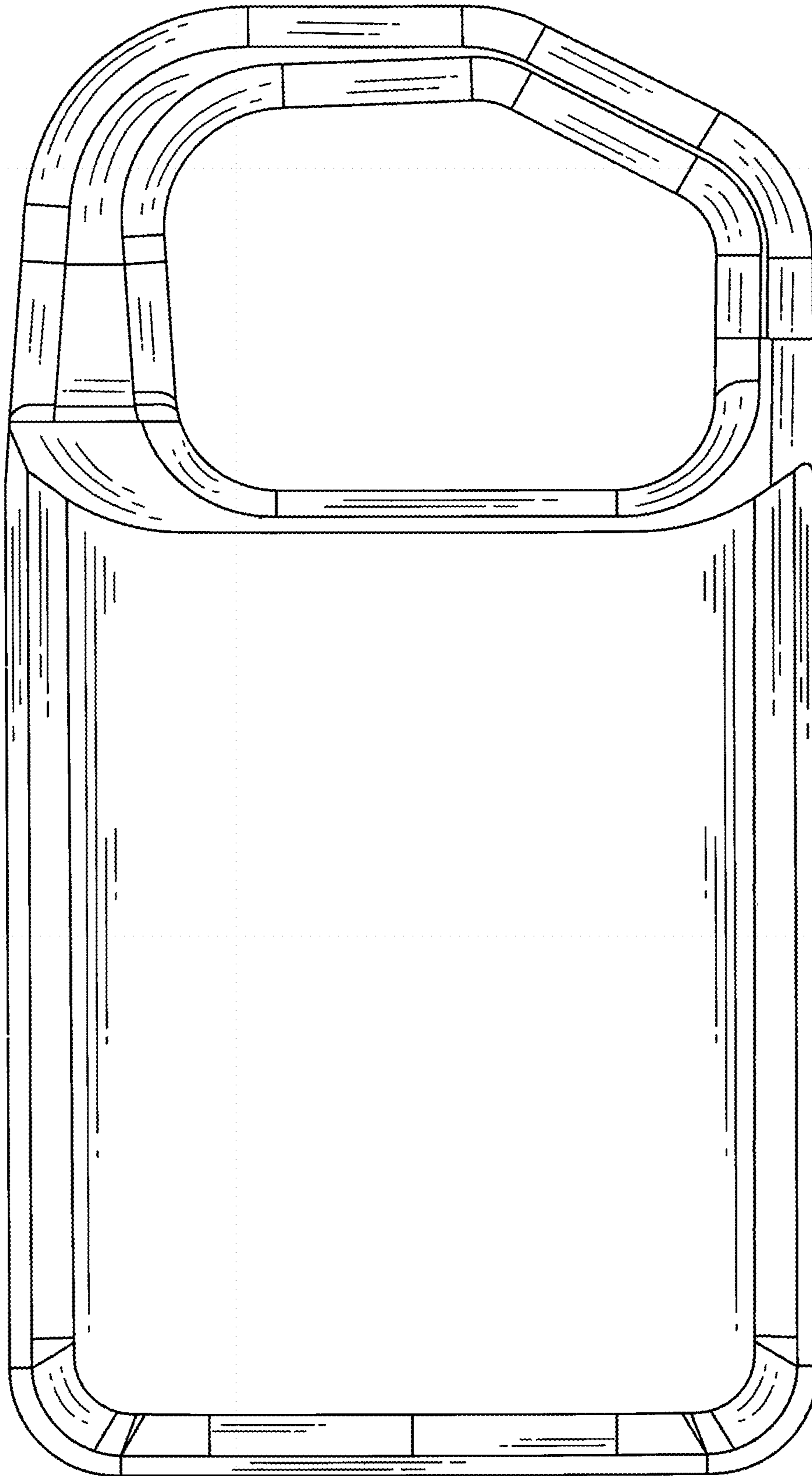


FIG. 2

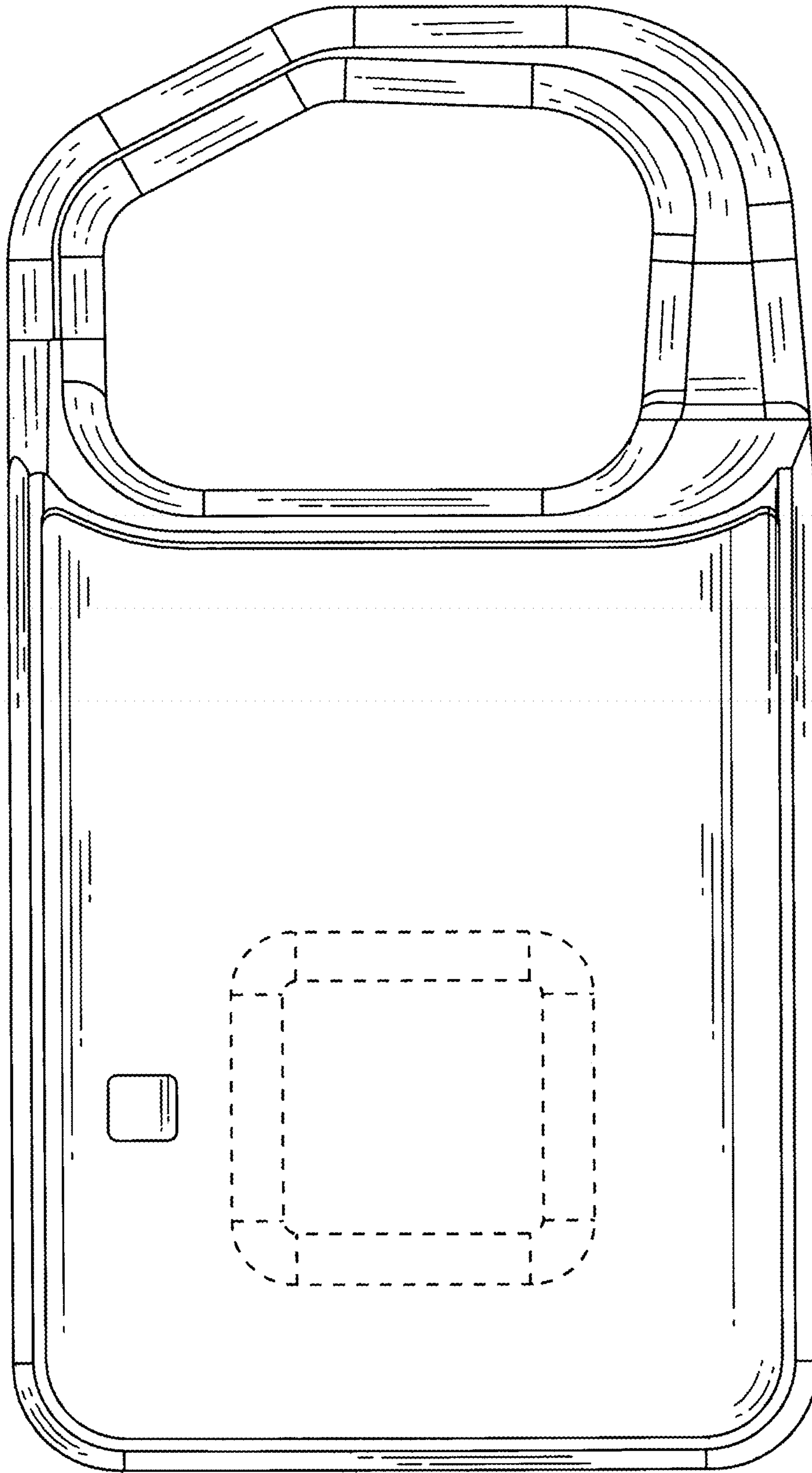


FIG. 3

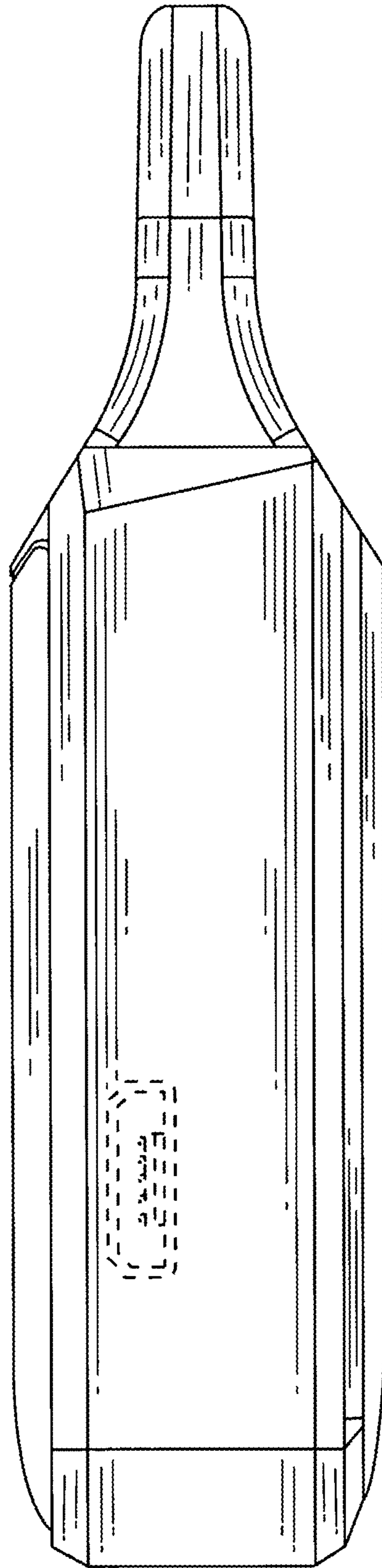


FIG. 4

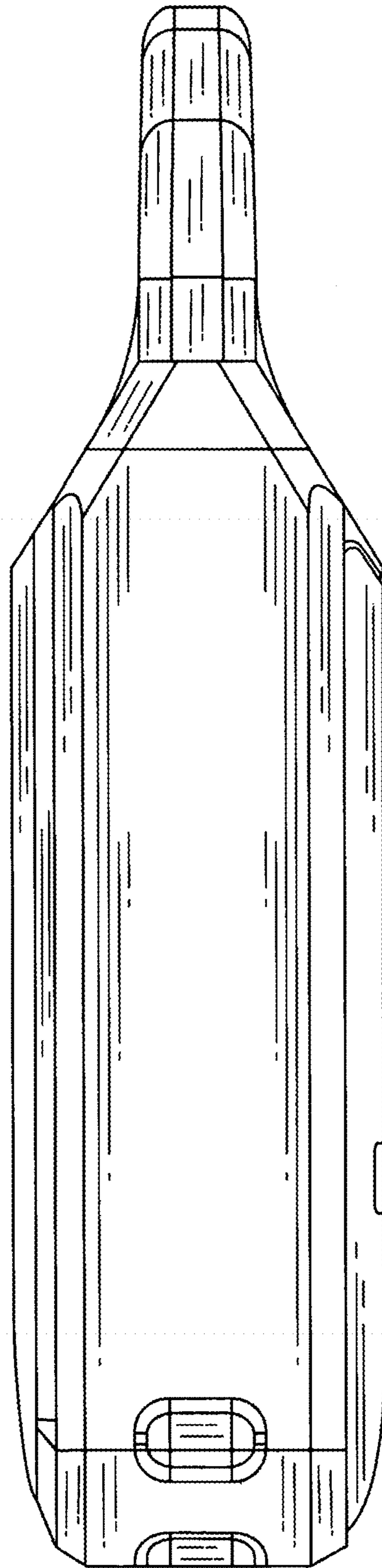


FIG. 5

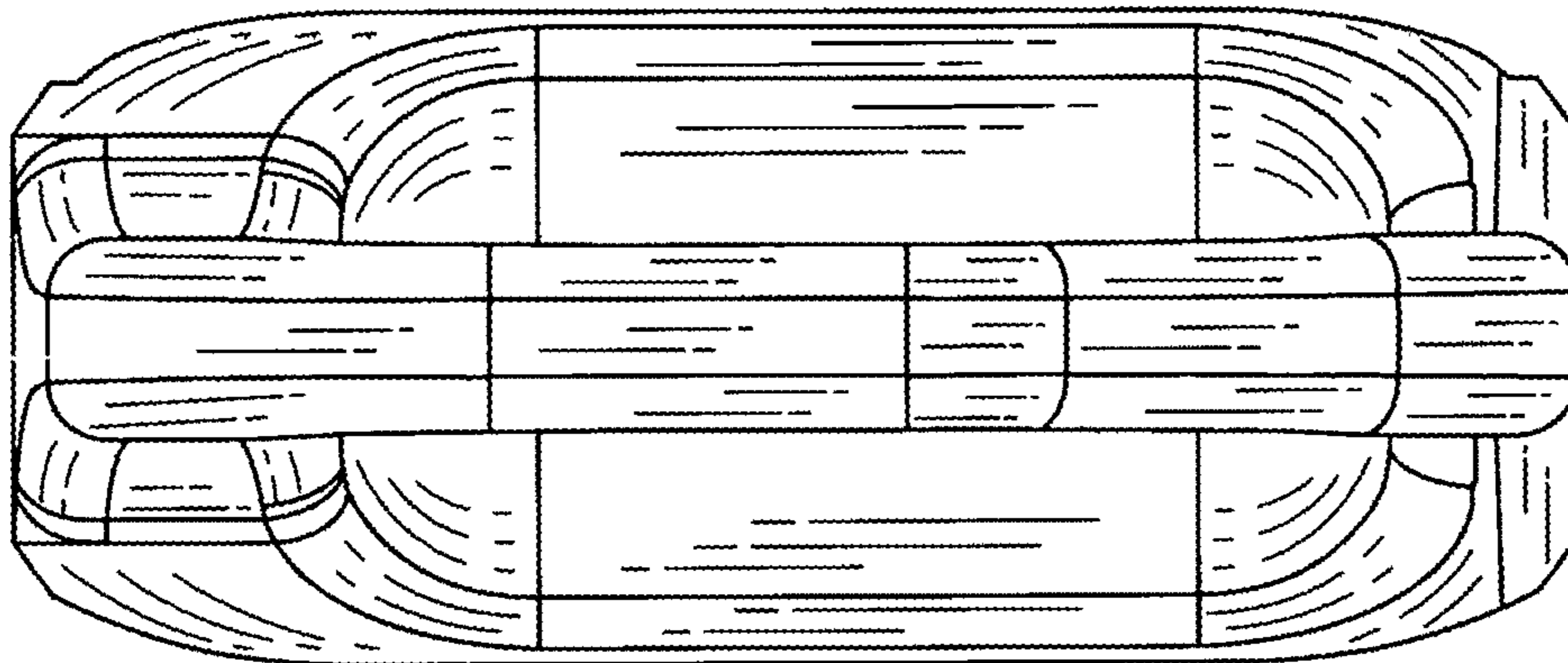


FIG. 6

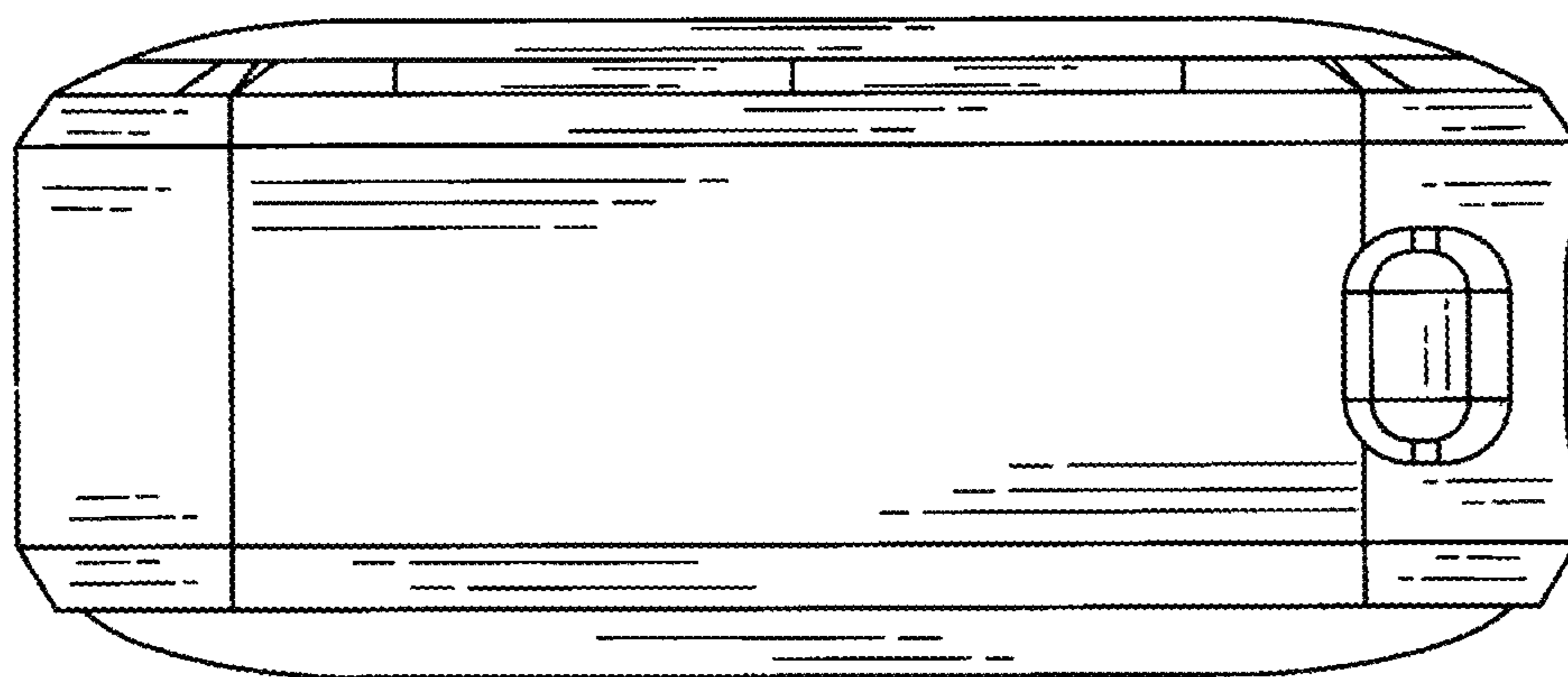


FIG. 7

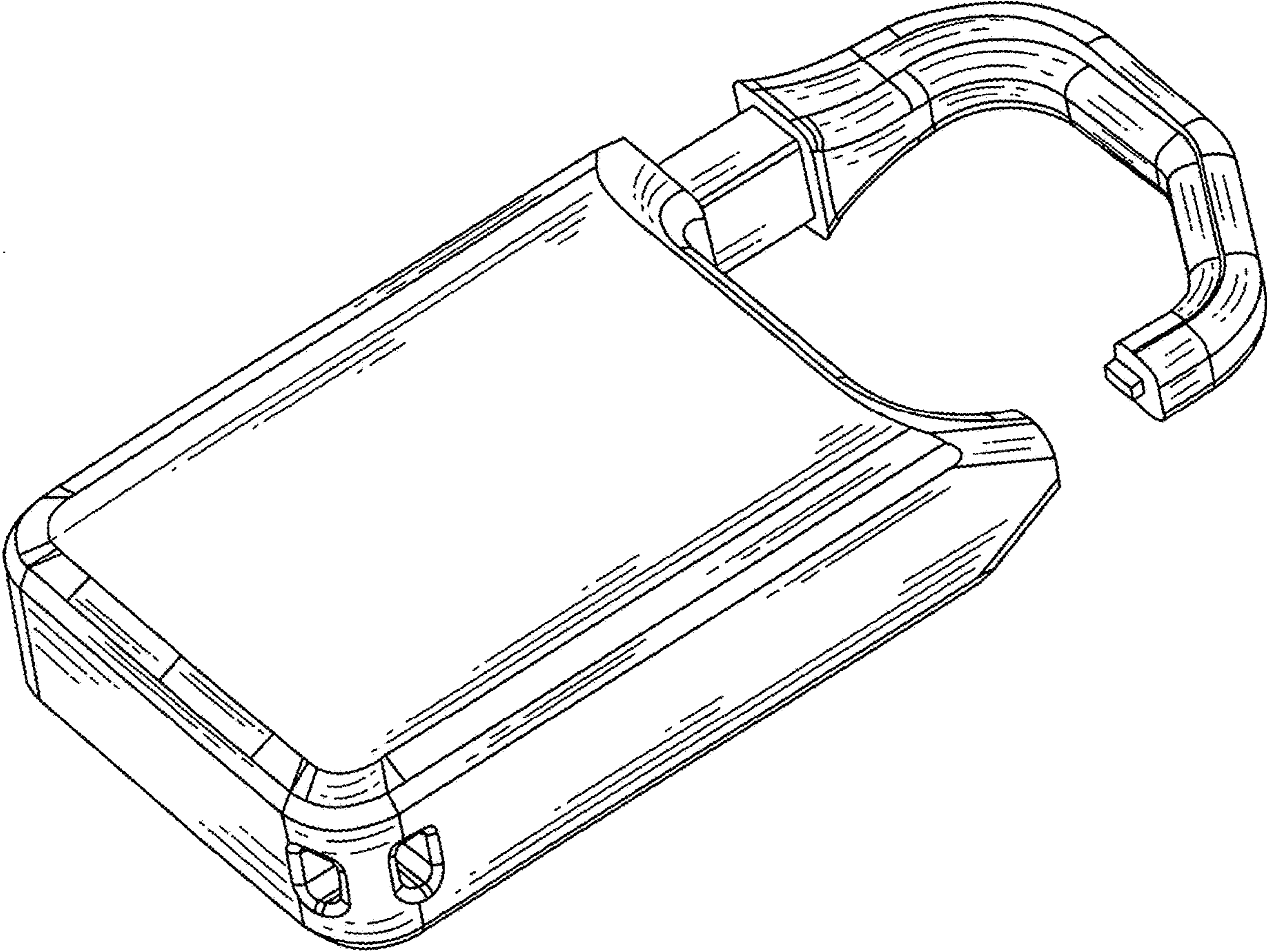


FIG. 8