



US00D915863S

(12) **United States Design Patent**  
**Ronge**

(10) **Patent No.:** **US D915,863 S**

(45) **Date of Patent:** **\*\* Apr. 13, 2021**

(54) **DOOR HANDLE**

(71) Applicant: **Assa Abloy AB**, Stockholm (SE)

(72) Inventor: **Christof Ronge**, Luxembourg (LU)

(\*\*) Term: **15 Years**

(21) Appl. No.: **35/508,621**

(22) Filed: **Nov. 20, 2019**

(80) **Hague Agreement Data**

Int. Filing Date: **Nov. 20, 2019**

Int. Reg. No.: **DM/205790**

Int. Reg. Date: **Nov. 20, 2019**

Int. Reg. Pub. Date: **Feb. 14, 2020**

(30) **Foreign Application Priority Data**

Jun. 27, 2019 (EM) ..... 006594503-0004

(51) **LOC (13) Cl.** ..... **08-06**

(52) **U.S. Cl.**  
USPC ..... **D8/308**

(58) **Field of Classification Search**

USPC ..... D8/300, 307, 308, 321, 322

CPC .... E04B 1/003; A47B 95/02; A47B 2095/021

See application file for complete search history.

(56) **References Cited**

**U.S. PATENT DOCUMENTS**

D111,012 S \* 8/1938 Carlson ..... D8/308

D117,908 S \* 12/1939 Morgan ..... D8/308

D306,251 S *	2/1990	Kuli .....	D8/302
D315,087 S *	3/1991	Jans .....	D8/308
D356,484 S *	3/1995	Scholl .....	D8/308
D534,784 S *	1/2007	Veltz .....	D8/308
D583,212 S *	12/2008	Grohmann .....	D8/308
D650,259 S *	12/2011	Garancz .....	D8/308
D734,121 S *	7/2015	Schneider .....	D8/308
D785,436 S *	5/2017	Carlino .....	D8/308
D805,874 S *	12/2017	Landecker .....	D8/308
D820,403 S *	6/2018	Garland .....	D23/239
D843,195 S *	3/2019	Ronge .....	D8/302
2017/0107739 A1 *	4/2017	Ruff .....	E05B 1/003

\* cited by examiner

*Primary Examiner* — Deanna L Pratt

(57) **CLAIM**

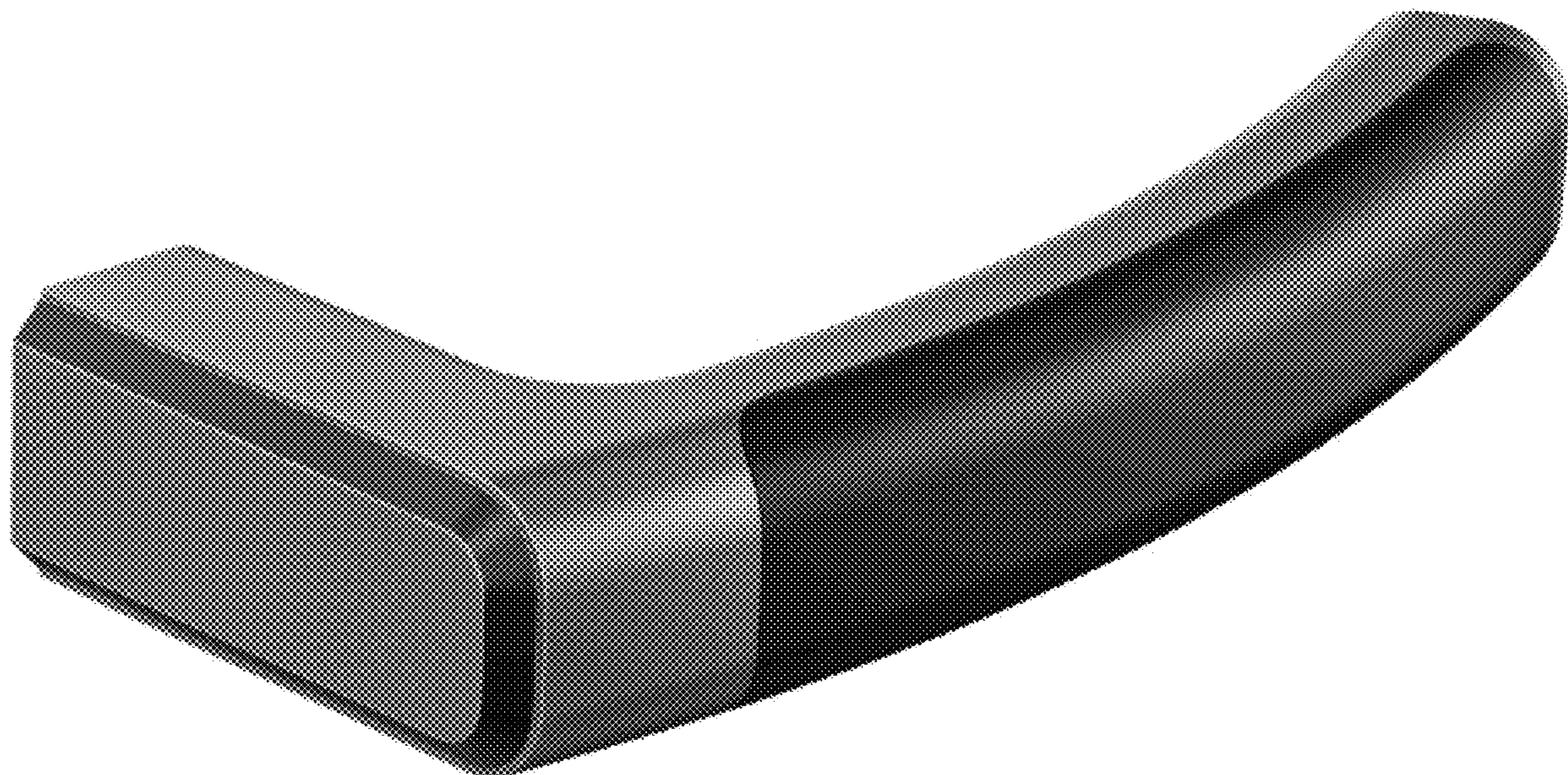
The ornamental design for a door handle, as shown and described.

**DESCRIPTION**

- 1. Door handle
- 1.1: Perspective
- 1.2: Perspective
- 1.3: Perspective
- 1.4: Perspective
- 1.5: Front
- 1.6. Side
- 1.7: Top

The door handle changes colors at different points in time, while the product is in use, in order to enable, deny access to the user.

**1 Claim, 7 Drawing Sheets**



1.1

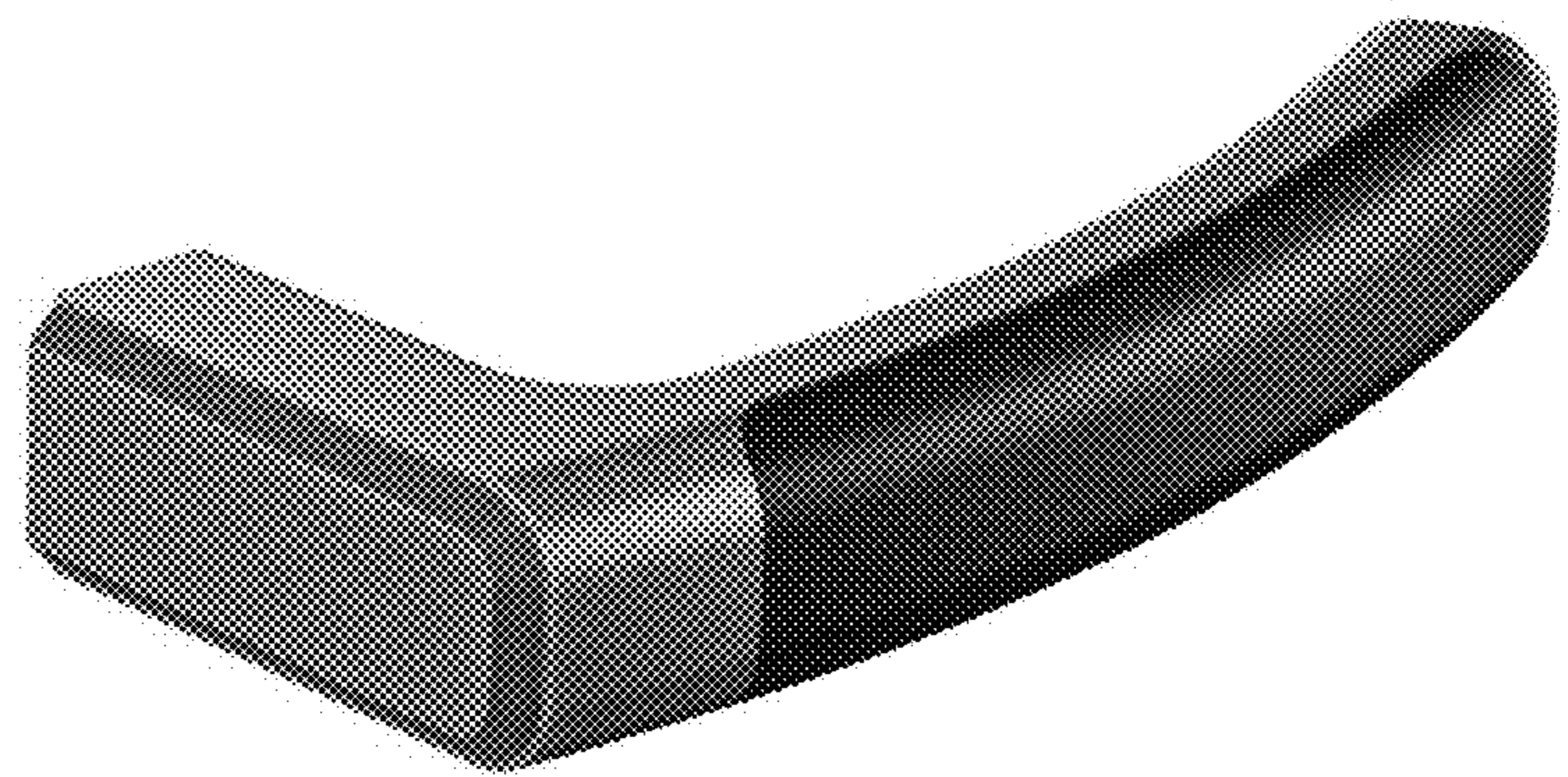


1.2

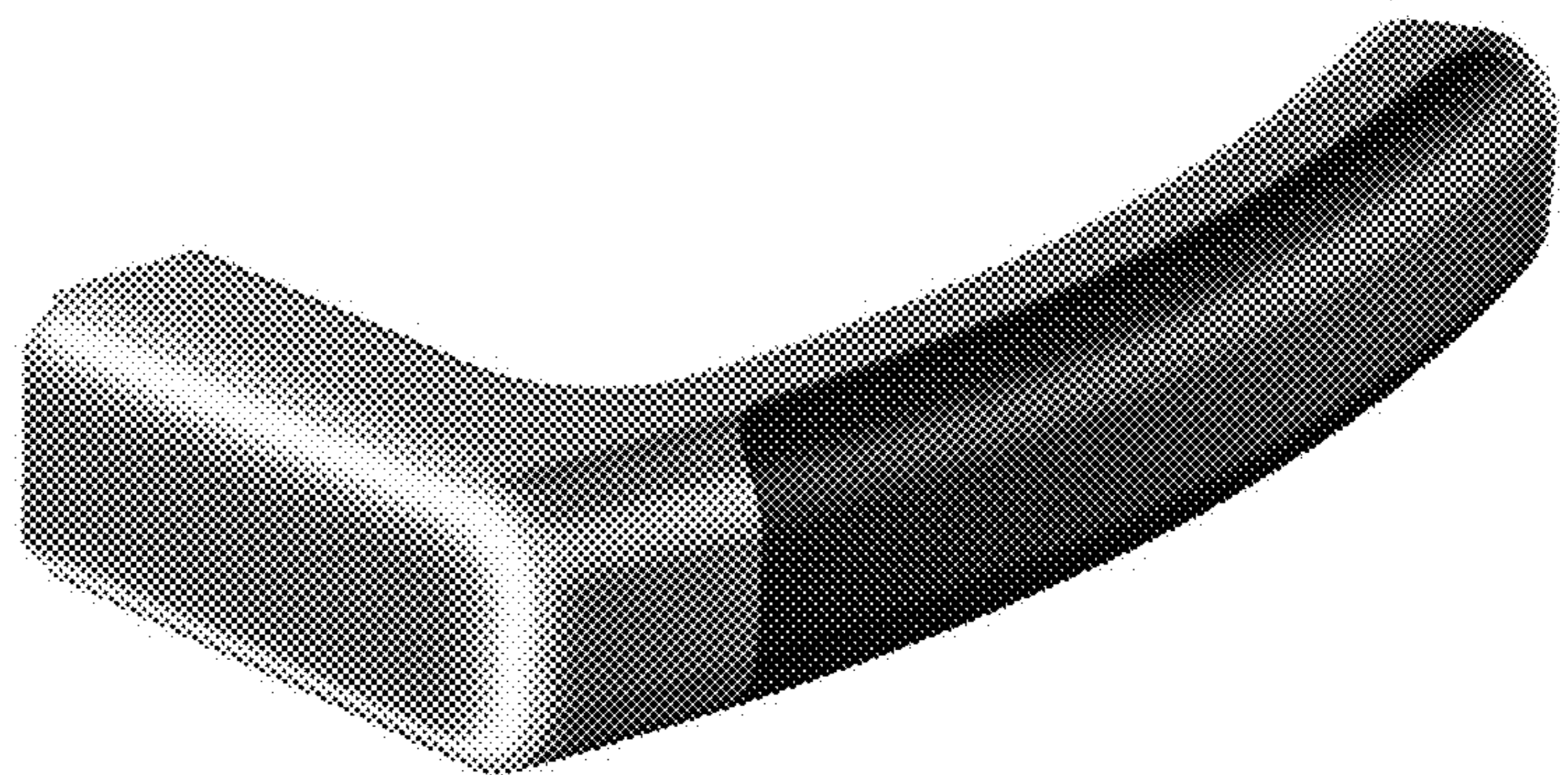




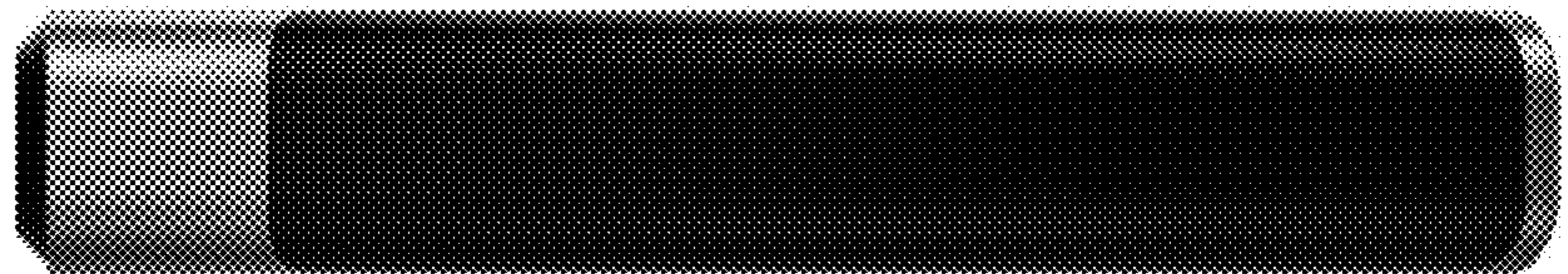
1.3



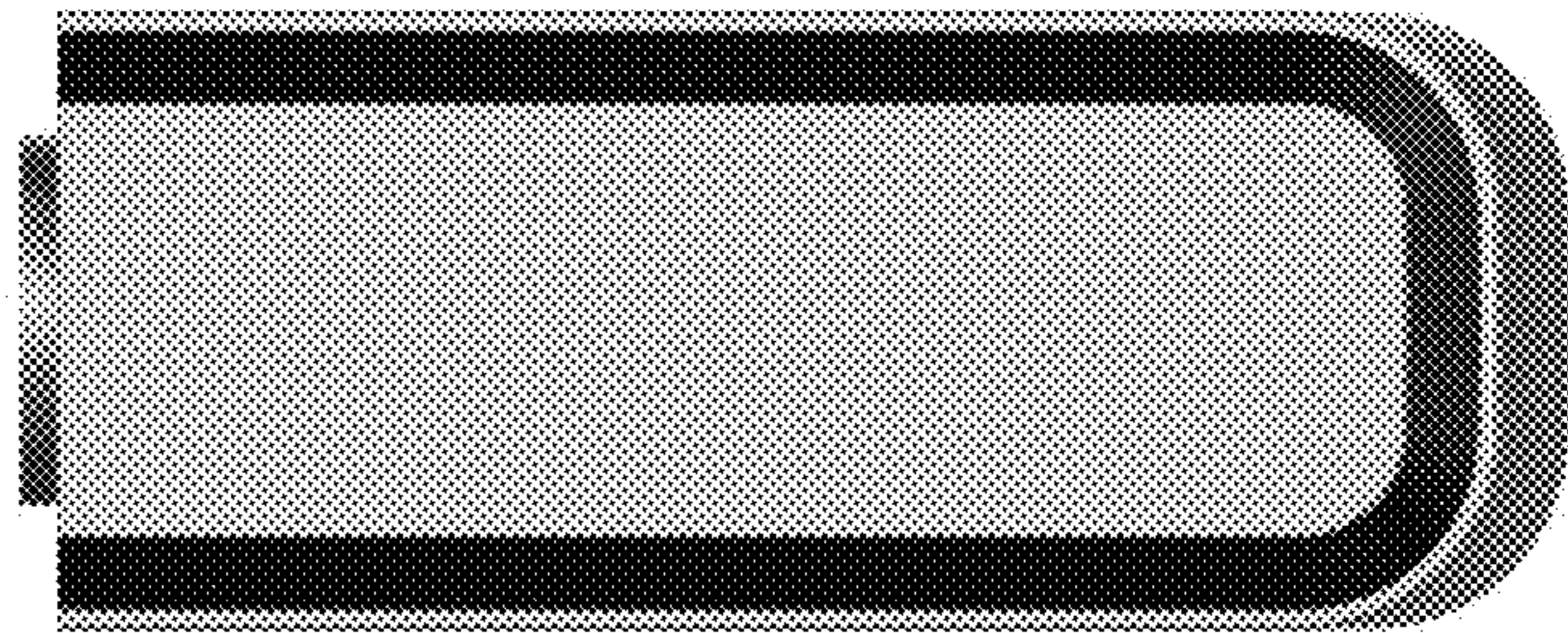
1.4



1.5



1.6



1.7

