



US00D915859S

(12) **United States Design Patent** (10) **Patent No.:** **US D915,859 S**  
**Washburn et al.** (45) **Date of Patent:** **\*\* Apr. 13, 2021**

(54) **SHARPENING TOOL ASSISTANT**  
(71) Applicant: **DH Cubed, LLC**, Seattle, WA (US)  
(72) Inventors: **Tyler Francisco Washburn**, Bothell, WA (US); **Deborah McGlynn**, Seattle, WA (US)  
(73) Assignee: **DH Cubed, LLC**, Saettle, WA (US)  
(\*\*) Term: **15 Years**

(21) Appl. No.: **29/644,891**  
(22) Filed: **Apr. 20, 2018**  
(51) **LOC (13) Cl.** ..... **08-05**  
(52) **U.S. Cl.**  
USPC ..... **D8/91**  
(58) **Field of Classification Search**  
USPC ..... D8/90, 91, 92, 93; D10/65, 70;  
D24/152; D3/294; D9/425  
CPC ..... G09B 23/283; G09B 19/24; B24D 15/08;  
B24D 15/084; B24D 15/06  
See application file for complete search history.

(56) **References Cited**  
U.S. PATENT DOCUMENTS  
D513,584 S \* 1/2006 Solowiejko ..... D3/294  
D614,979 S \* 5/2010 McNames ..... D10/65

D660,440 S \* 5/2012 Roehrig ..... D24/194  
D694,658 S \* 12/2013 Avidor ..... D10/65  
D761,138 S \* 7/2016 Manabe ..... D10/65  
D829,120 S \* 9/2018 Mitchell ..... D10/104.1  
D835,591 S \* 12/2018 Shim ..... D13/184  
D848,293 S \* 5/2019 Laurans ..... D10/70  
2008/0132154 A1\* 6/2008 Jewett ..... B24B 3/605  
451/178  
2016/0086514 A1\* 3/2016 Washburn ..... G09B 23/283  
434/219  
2017/0066109 A1\* 3/2017 Bleier ..... B24D 15/02  
\* cited by examiner

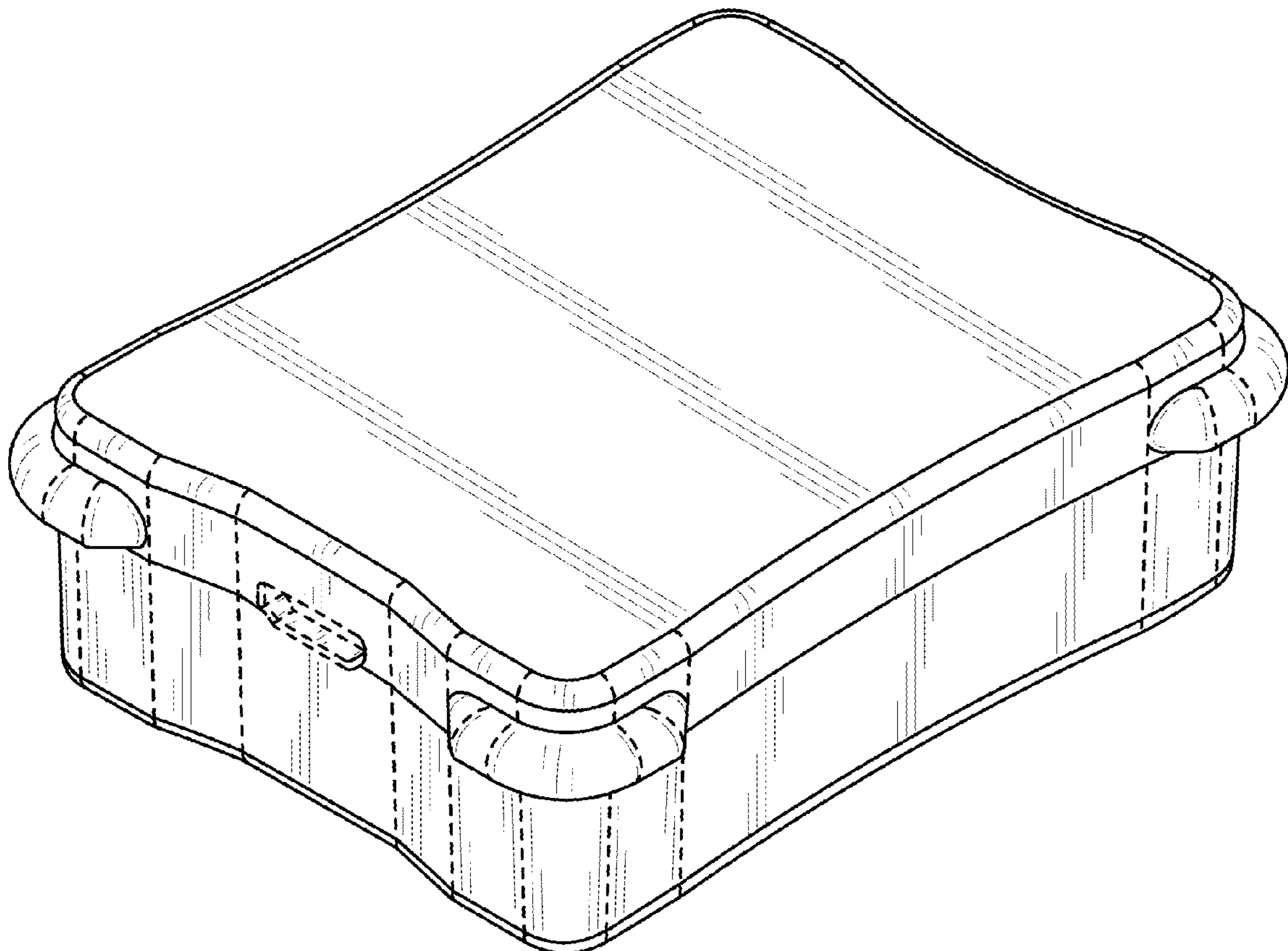
*Primary Examiner* — Philip S Hyder

(57) **CLAIM**  
What is claimed is the ornamental design for a sharpening tool assistant, as shown and described.

**DESCRIPTION**

FIG. 1 is an isometric view of a sharpening tool assistant displaying an embodiment of the new design.  
FIG. 2 is a top view thereof.  
FIG. 3 is a front view thereof.  
FIG. 4 is a rear view thereof.  
FIG. 5 is a right view thereof; and,  
FIG. 6 is a left view thereof.  
The broken lines depict aspects of the sharpening tool assistant in which the design is embodied that are not considered part of the claimed design.

**1 Claim, 6 Drawing Sheets**



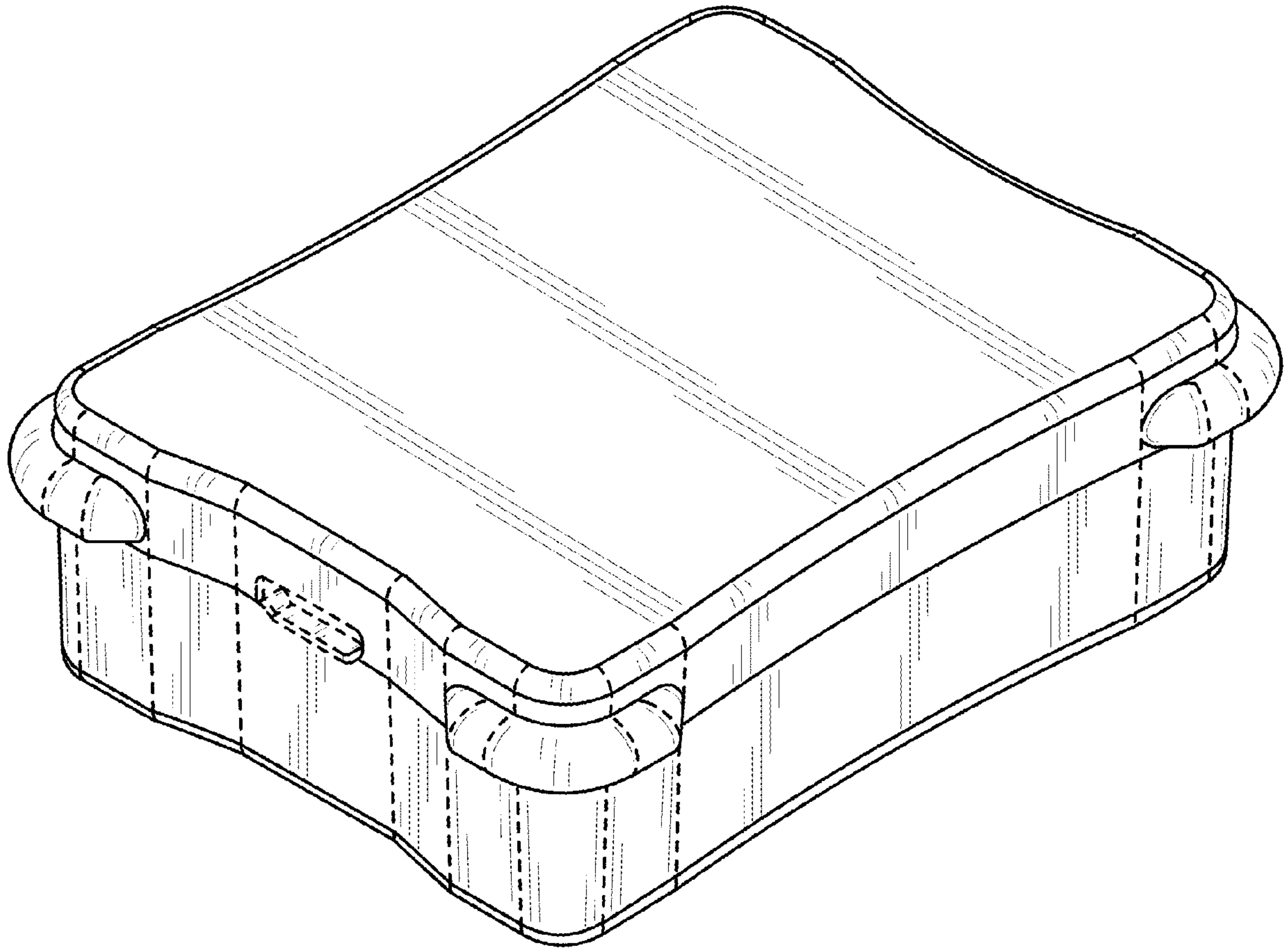


FIG. 1

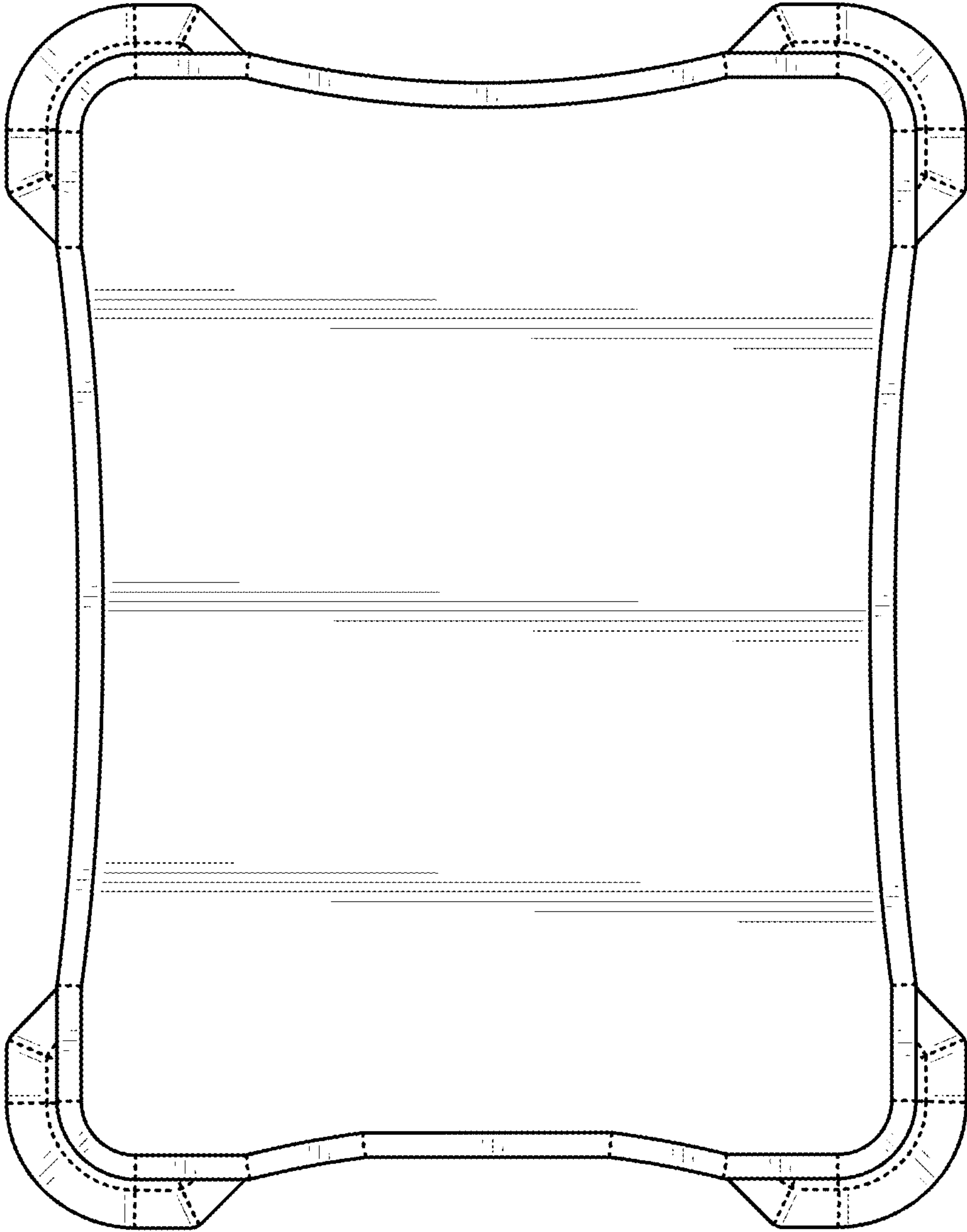


FIG. 2

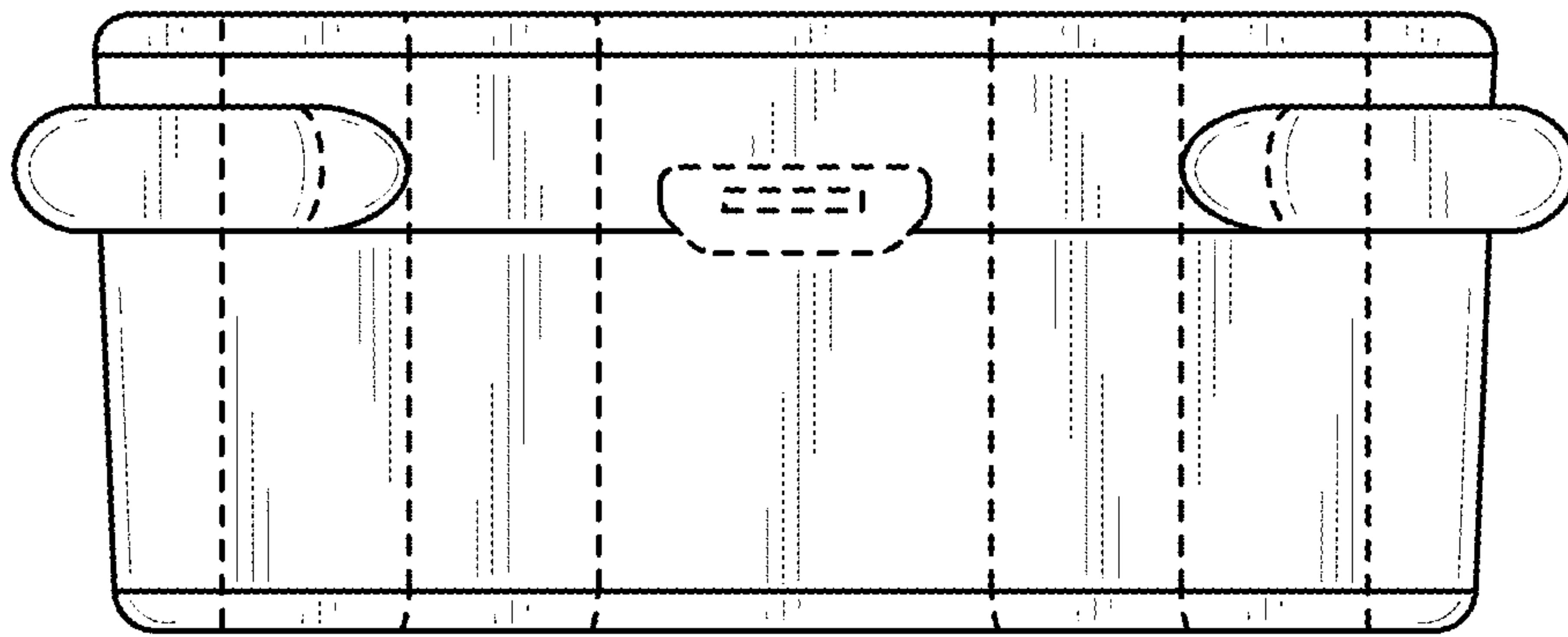


FIG. 3

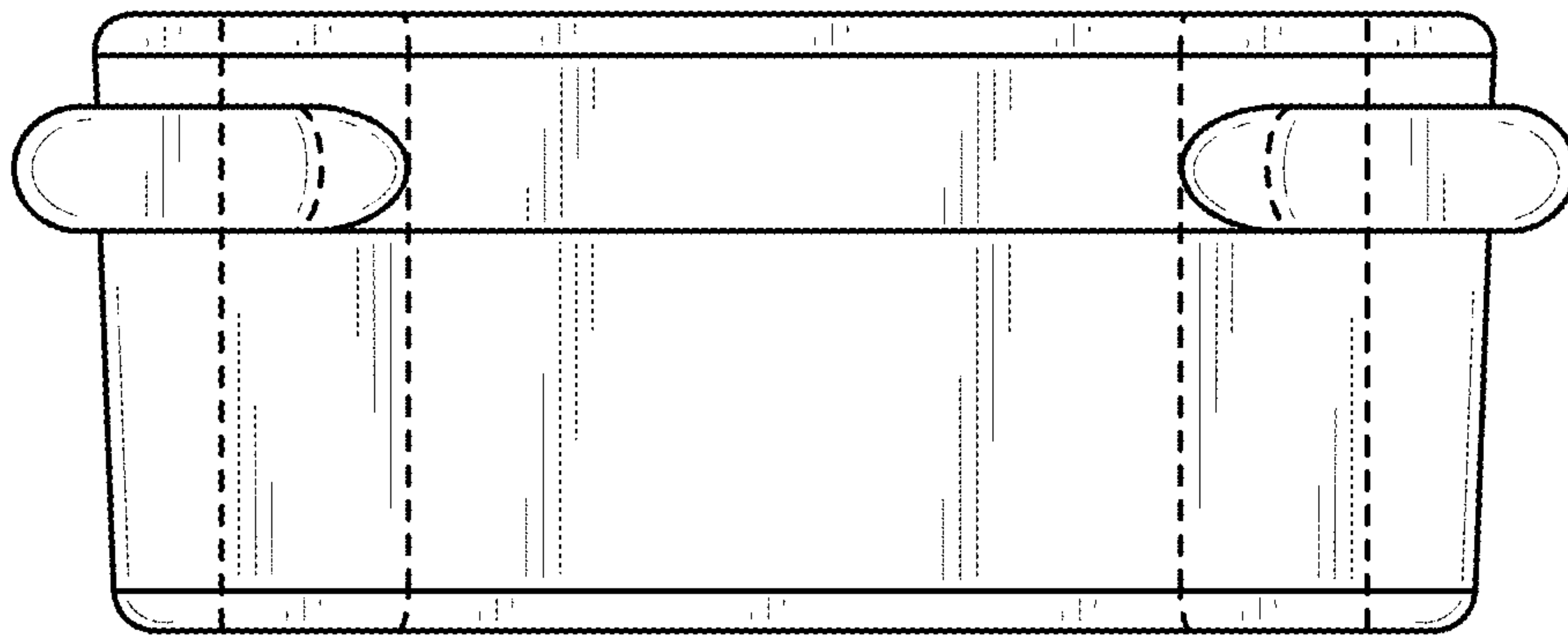


FIG. 4

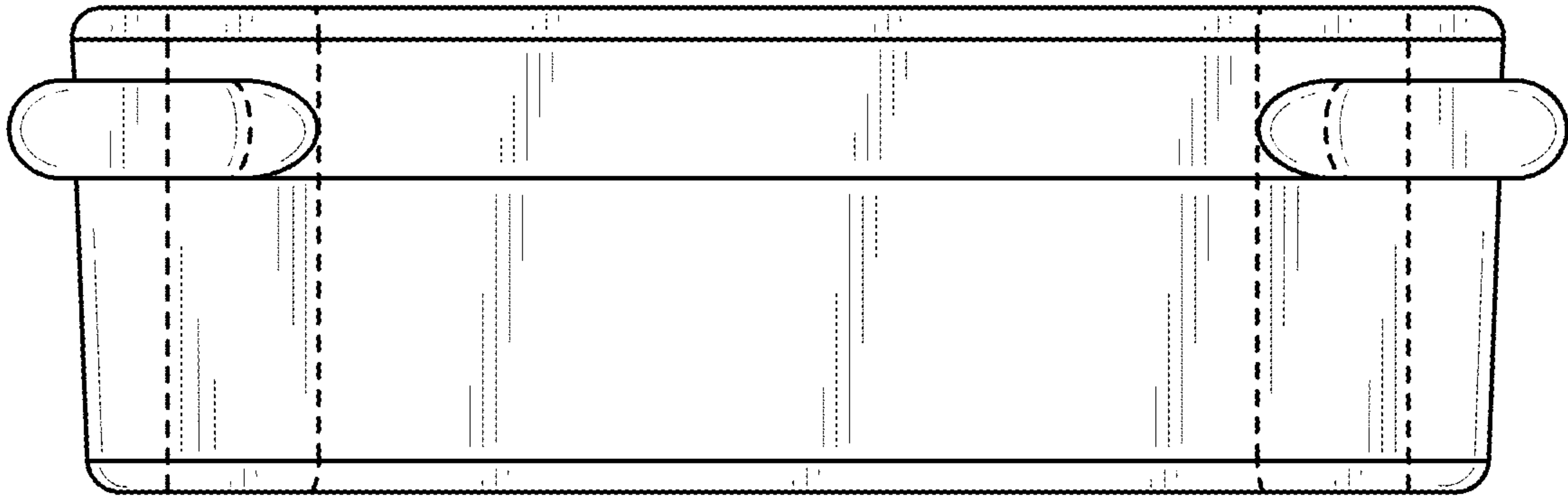


FIG. 5

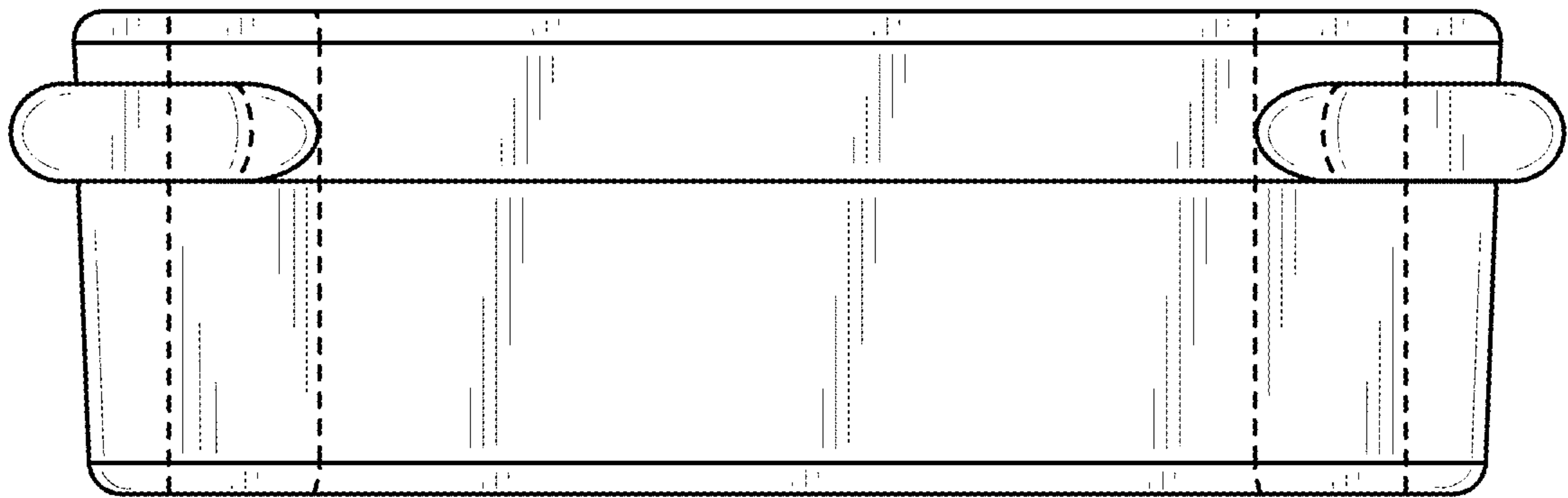


FIG. 6