

US00D915858S

(12) **United States Design Patent** (10) **Patent No.:** **US D915,858 S**
Melaragno (45) **Date of Patent:** **** Apr. 13, 2021**

(54) **CLAMP**
(71) Applicant: **Melanie M. Melaragno**, Wickliffe, OH (US)
(72) Inventor: **Melanie M. Melaragno**, Wickliffe, OH (US)
(73) Assignee: **SHORE SHELF LLC**, Wickliffe, OH (US)

D406,036 S * 2/1999 Flachslaender D8/74
5,887,940 A 3/1999 Anderson et al.
5,893,331 A 4/1999 Diletto
D413,429 S * 9/1999 Carson D3/10
D435,417 S * 12/2000 Miller D8/72
D556,531 S * 12/2007 Allen D8/72
D655,407 S * 3/2012 Adams D24/128
D719,000 S * 12/2014 Palmer B62B 5/0083
D8/73
D730,708 S * 6/2015 Spector D8/73
9,179,769 B1 11/2015 Port
(Continued)

(**) Term: **15 Years**

(21) Appl. No.: **29/646,569**

(22) Filed: **May 4, 2018**

(51) **LOC (13) Cl.** **08-05**

(52) **U.S. Cl.**
USPC **D8/73**

(58) **Field of Classification Search**
USPC D8/71-74, 394-399, 59; 248/63, 72,
248/74.1, 689, 124.2; 81/487, 385, 386,
81/388-390; 269/3, 4, 6, 143, 165, 240,
269/243, 246-249, 254 R, 147-149;
29/256, 257, 276; 408/103, 104-109
CPC B25B 1/00; B25B 5/00; B25B 1/2478;
B25B 1/103; B25B 1/22; B25B 1/2405;
B25B 1/2457
See application file for complete search history.

(56) **References Cited**

U.S. PATENT DOCUMENTS

1,891,834 A 12/1932 Pendleton
4,122,780 A 10/1978 Brickman
D262,237 S * 12/1981 Stauber D24/128
4,779,884 A 10/1988 Minati
4,936,470 A 6/1990 Prindle
5,333,929 A 8/1994 Slagerman
5,460,276 A 10/1995 McKeon et al.
D378,343 S * 3/1997 Macor D8/73
D390,241 S * 2/1998 Mori D15/140
D393,998 S * 5/1998 Anderson D8/394

OTHER PUBLICATIONS

Youtube.com, Shore Shelf with Melanine @ The 2019 Cleveland Boat Show, Jan. 18, 2019, <https://www.youtube.com/watch?v=8ZQ5GW6hnKg> (Year: 2019).*

Primary Examiner — Nathan M Johnston
(74) *Attorney, Agent, or Firm* — Jacob M. Ward; Ward Law Office LLC

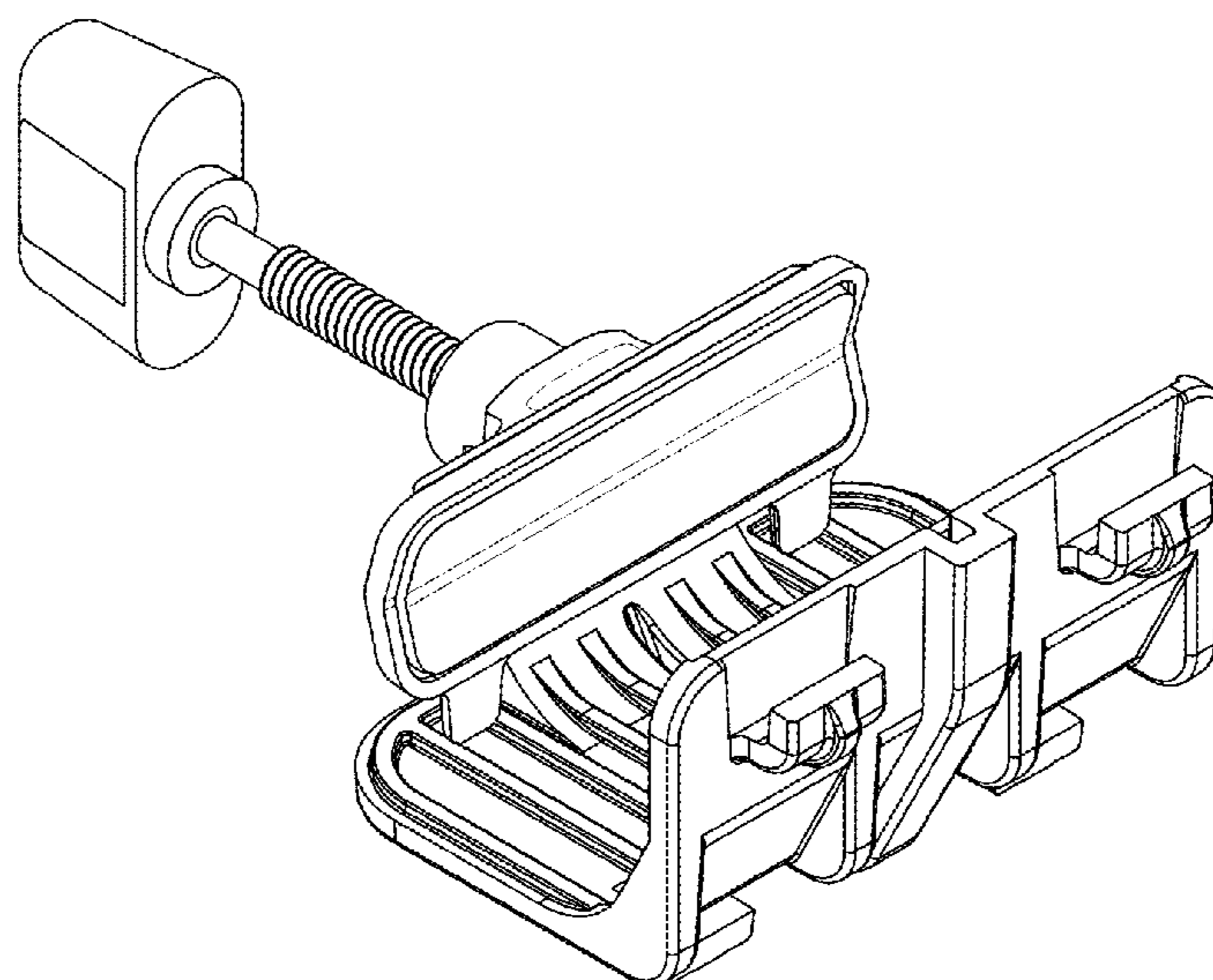
(57) **CLAIM**

The ornamental design for a clamp, as shown and described.

DESCRIPTION

FIG. 1 is a top perspective view of a clamp;
FIG. 2 is a bottom perspective view of the clamp shown in FIG. 1;
FIG. 3 is a front elevational view thereof;
FIG. 4 is a rear elevational view thereof;
FIG. 5 is a top plan view thereof;
FIG. 6 is a bottom plan view thereof; and,
FIG. 7 is a left side elevational view thereof.
A right side elevational view of the clamp is not shown because it is a mirror image of the left side elevational view shown in FIG. 7. The broken lines in the drawings form no part of the claimed design. The ornamental design which is claimed is shown in solid lines in the drawings.

1 Claim, 4 Drawing Sheets



(56)

References Cited

U.S. PATENT DOCUMENTS

D762,300	S	*	7/2016	Breitweiser	D24/128
D777,020	S	*	1/2017	Zlatic	D8/394
9,554,643	B2		1/2017	Nelson et al.	
9,629,457	B2		4/2017	Cohen et al.	
9,814,305	B2		11/2017	Brus et al.	
2002/0109058	A1		8/2002	Gish	
2004/0139892	A1		7/2004	Giegerich	
2004/0226486	A1		11/2004	Simpson	
2007/0056482	A1		3/2007	Robinson et al.	
2007/0101908	A1		5/2007	Makita	
2008/0041282	A1		2/2008	Goschy	
2014/0102337	A1		4/2014	Ralph et al.	
2015/0208634	A1		7/2015	Box et al.	
2015/0320196	A1		11/2015	Polizzi	
2016/0037906	A1		2/2016	Knight	
2016/0113388	A1		4/2016	Distefano	
2016/0223002	A1		8/2016	Muller et al.	
2017/0042321	A1		2/2017	Clause et al.	

* cited by examiner

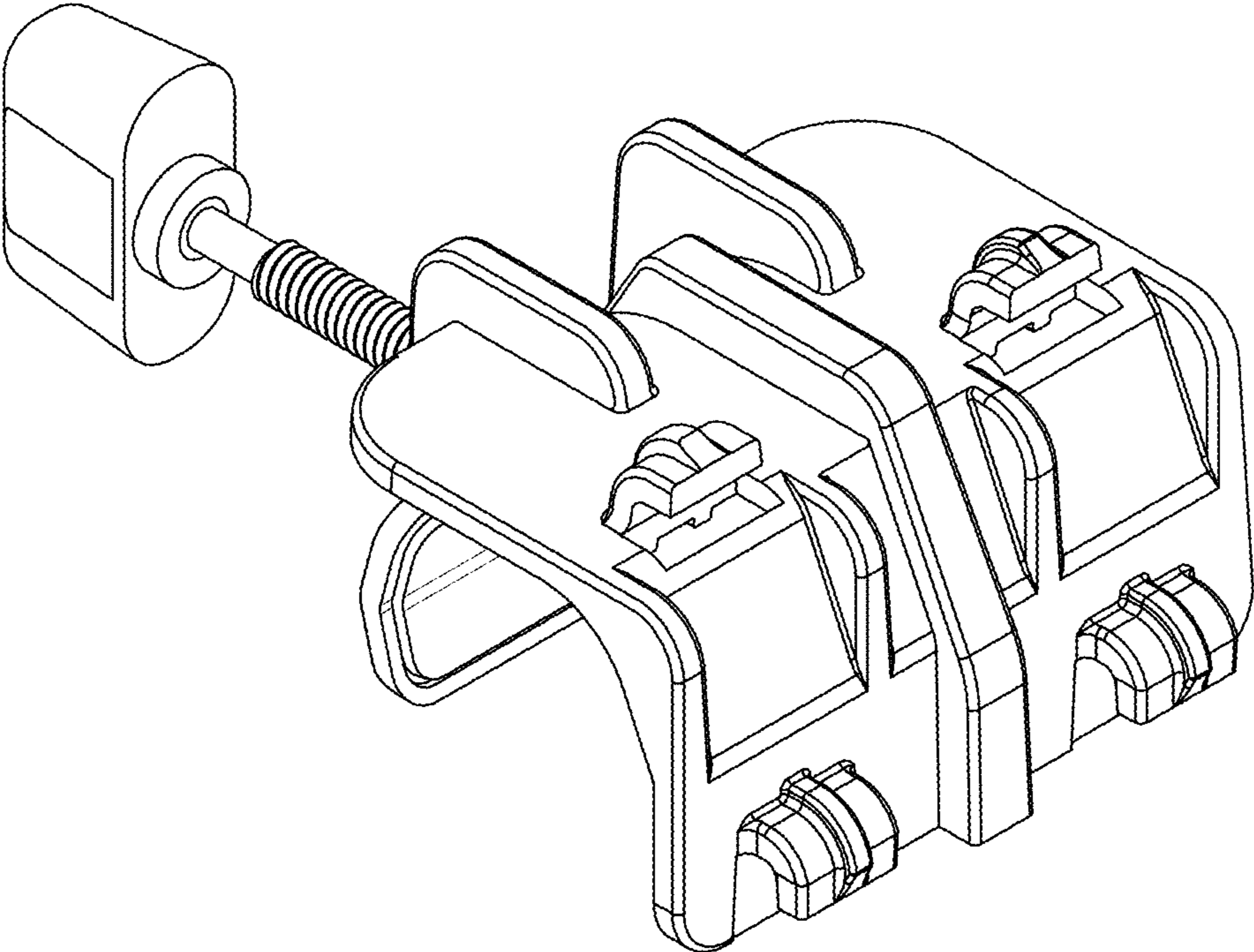


FIG. 1

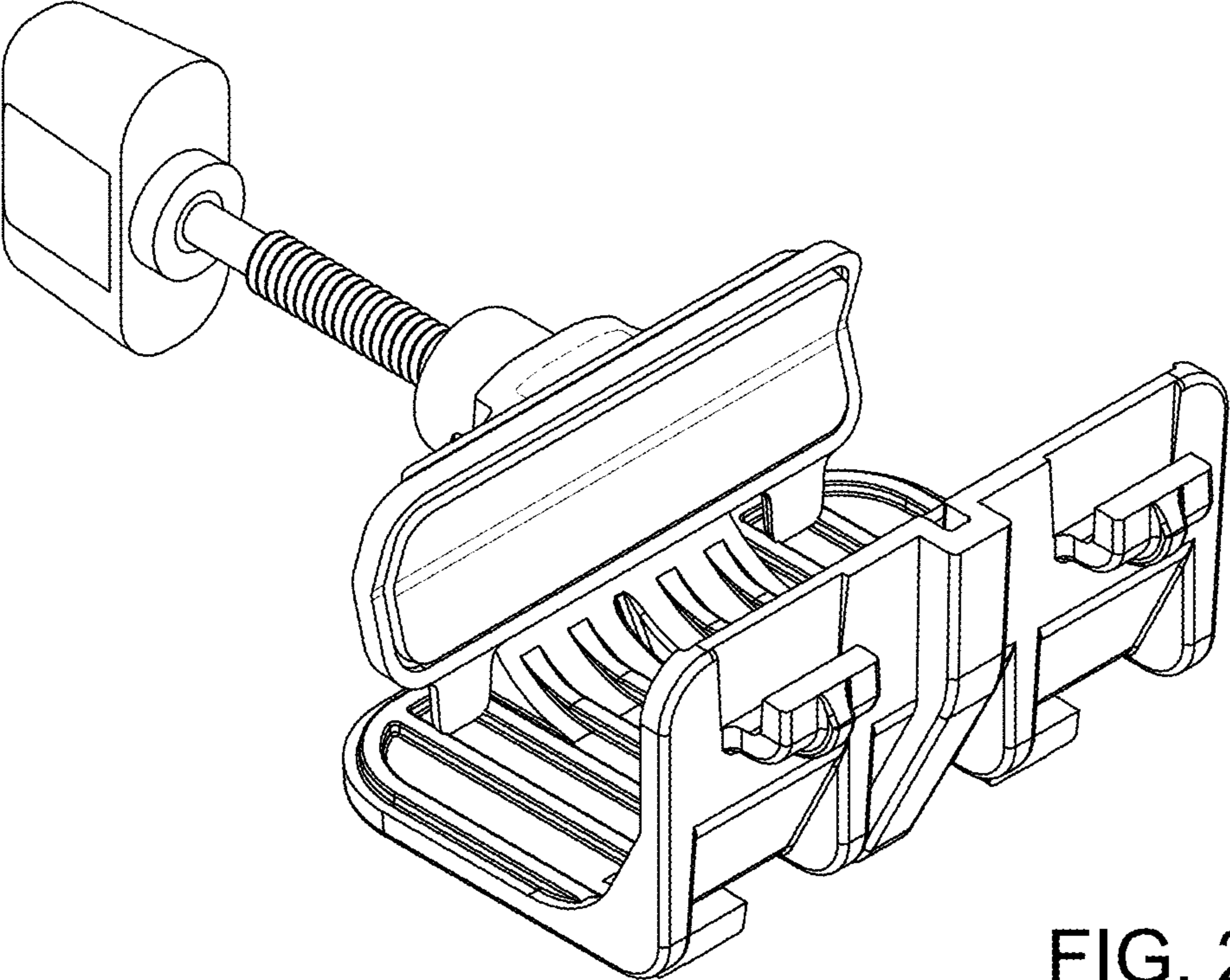


FIG. 2

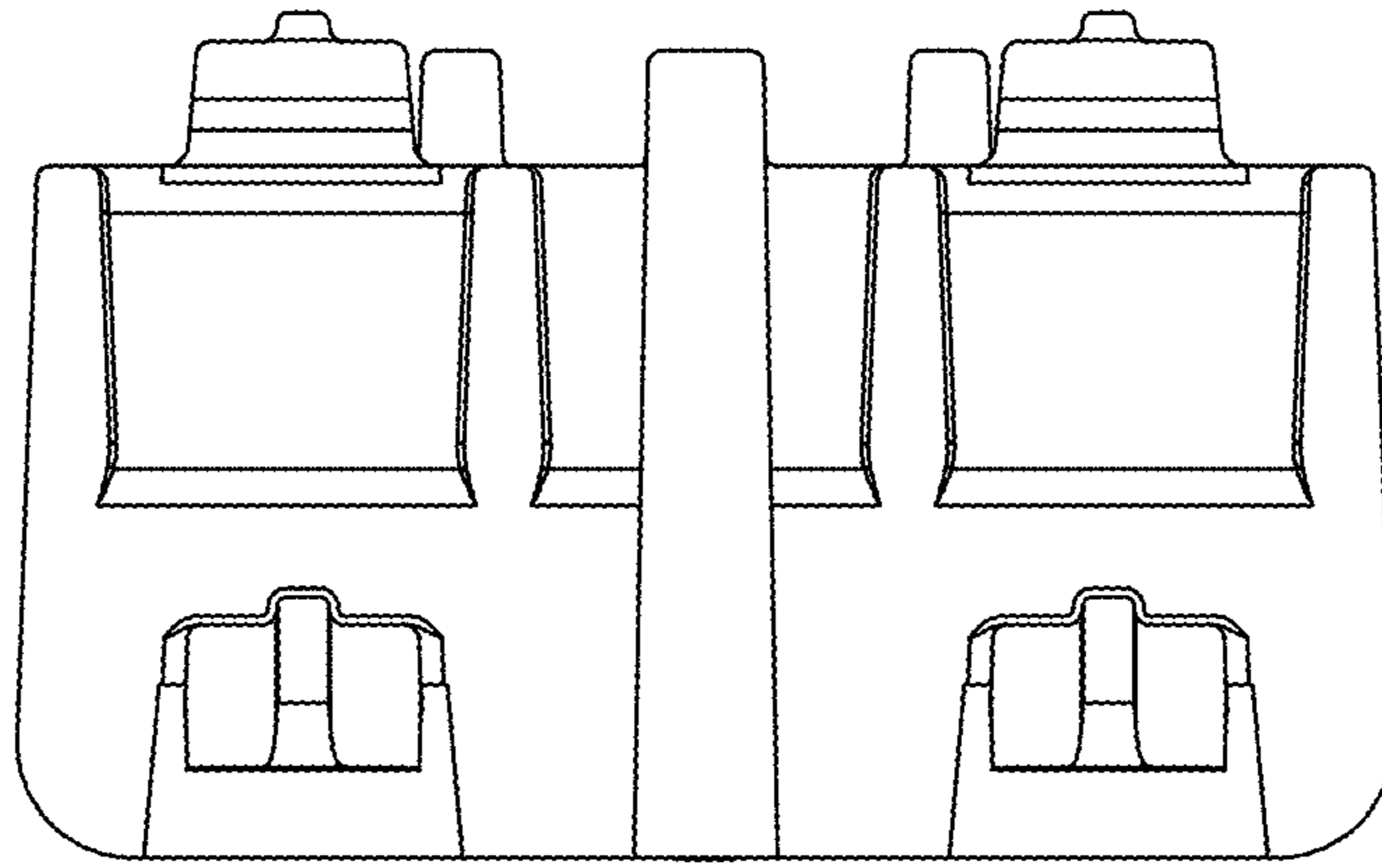


FIG. 3

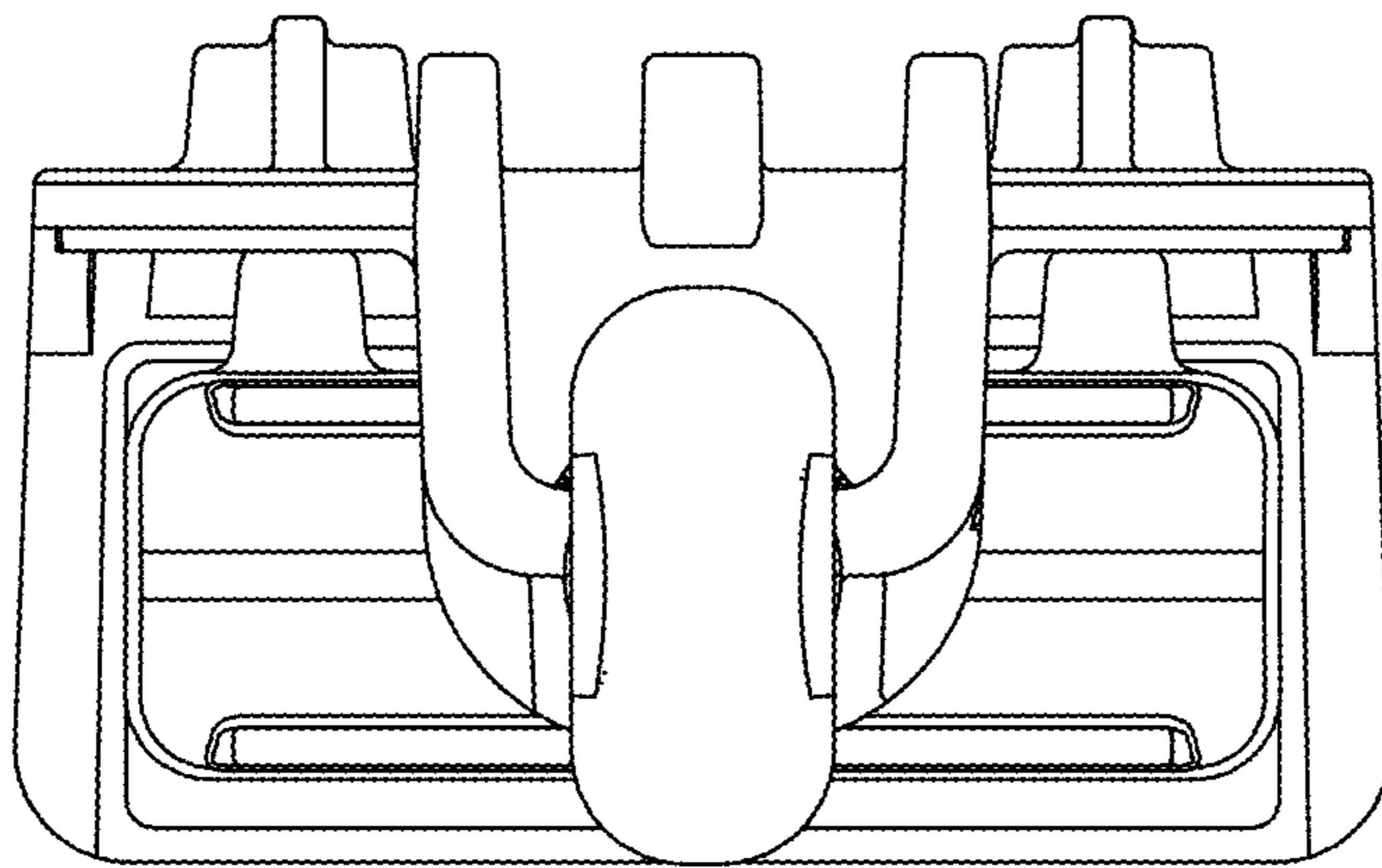


FIG. 4

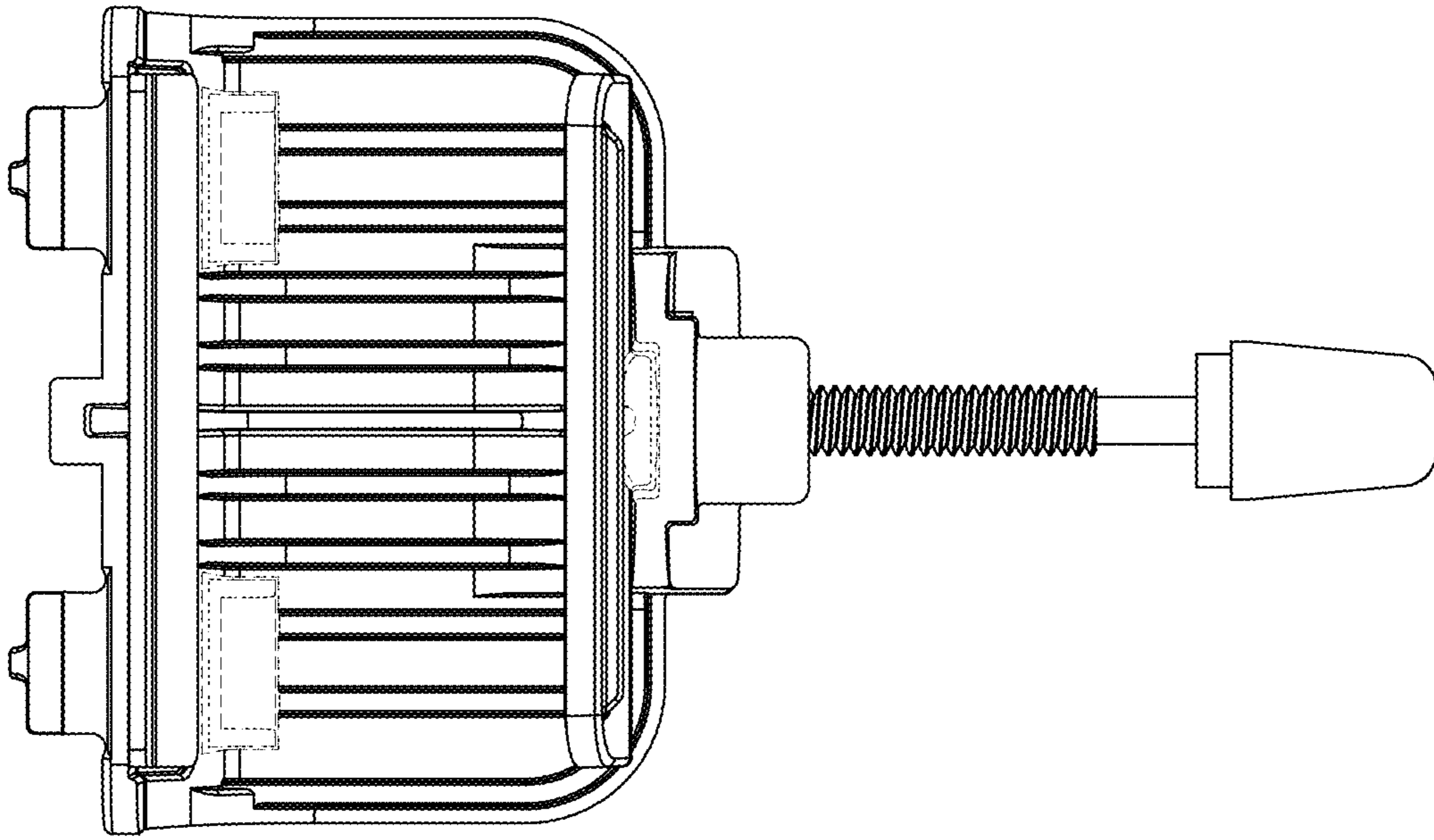


FIG. 5

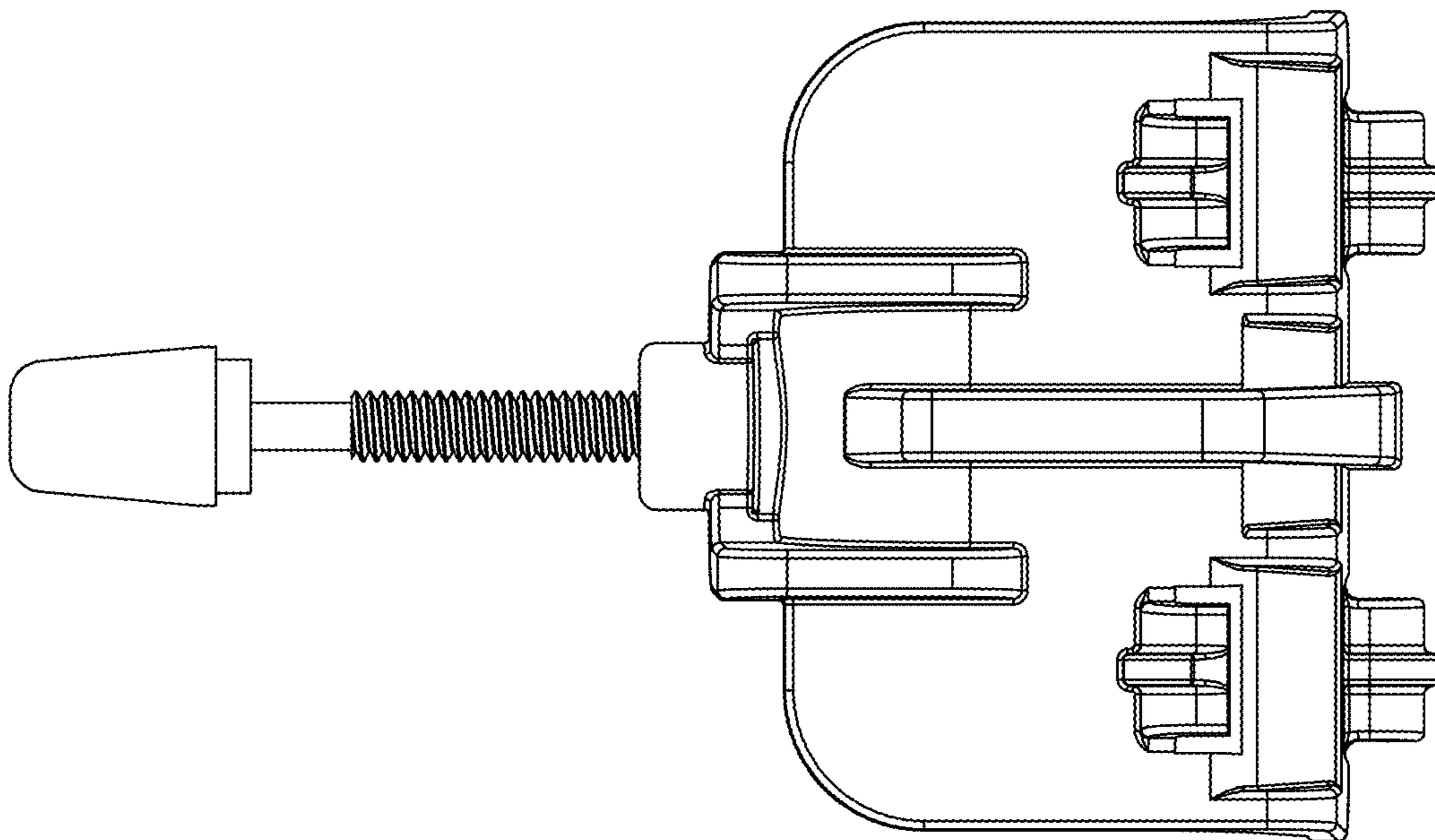


FIG. 6

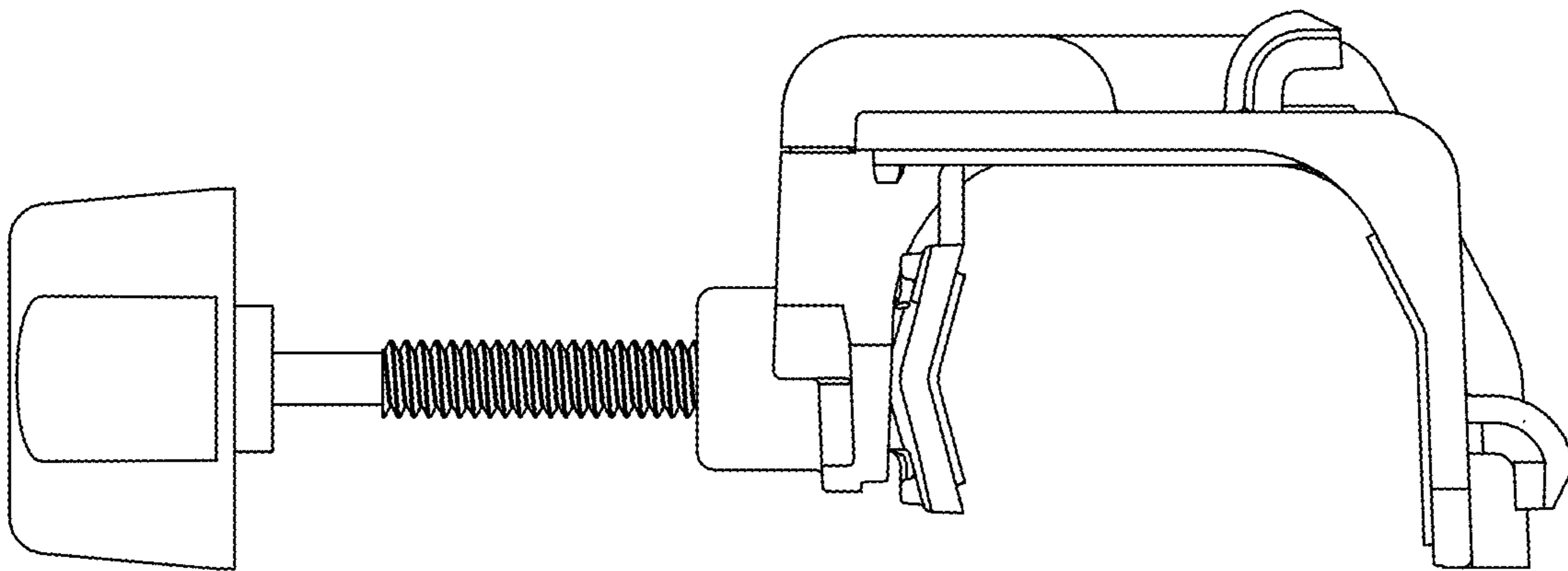


FIG. 7