



US00D915854S

(12) **United States Design Patent** (10) **Patent No.:** **US D915,854 S**
Spomer et al. (45) **Date of Patent:** **** Apr. 13, 2021**

(54) **DRILL DRIVER**
(71) Applicant: **Hilti Aktiengesellschaft, Schaan (LI)**
(72) Inventors: **Andreas Spomer, Feldkirch (AT);**
Tobias Königler, Bregenz (AT)
(73) Assignee: **Hilti Aktiengesellschaft, Schaan (LI)**
(**) Term: **15 Years**
(21) Appl. No.: **35/506,652**

D628,039 S *	11/2010	Aoki	D8/68
D670,989 S *	11/2012	Kawase	D8/61
D673,437 S *	1/2013	Schoch	D8/68
D675,500 S *	2/2013	Taniguchi	D8/68
D682,650 S *	5/2013	Kawase	D8/61
D715,617 S *	10/2014	Aoki	D8/68
D722,854 S *	2/2015	Beukema	D8/68
D785,427 S *	5/2017	Kosugi	D8/68
D787,289 S *	5/2017	Koeniger	D8/68
D835,960 S *	12/2018	Koeniger	D8/68
D843,804 S *	3/2019	Croghan	D8/68
D845,732 S *	4/2019	Waldron	D8/68
D859,951 S *	9/2019	Gu	D8/68

* cited by examiner

(22) Filed: **Oct. 18, 2018**

Primary Examiner — Bao-Yen T Nguyen

(80) **Hague Agreement Data**

(74) *Attorney, Agent, or Firm* — Crowell & Moring LLP

Int. Filing Date: **Oct. 18, 2018**
Int. Reg. No.: **DM/200233**
Int. Reg. Date: **Oct. 18, 2018**
Int. Reg. Pub. Date: **Apr. 19, 2019**

(57) **CLAIM**

(30) **Foreign Application Priority Data**

The ornamental design for a drill driver, as shown and described.

Apr. 23, 2018 (LI) 2018-344

(51) **LOC (13) Cl.** **08-05**

DESCRIPTION

(52) **U.S. Cl.**
USPC **D8/68**

(58) **Field of Classification Search**
USPC D8/61, 67, 68
CPC B62D 23/005; B62D 29/00; B62D 29/043;
B62D 31/00; B62D 33/046; B62D 35/00;
B62D 35/001; B60Q 1/0005
See application file for complete search history.

- 1. Drill driver
- Figure 1.1: Perspective view
- Figure 1.2: Perspective view
- Figure 1.3: Front view
- Figure 1.4: Back view
- Figure 1.5: Left view
- Figure 1.6: Right view
- Figure 1.7: Top view
- Figure 1.8: Bottom view

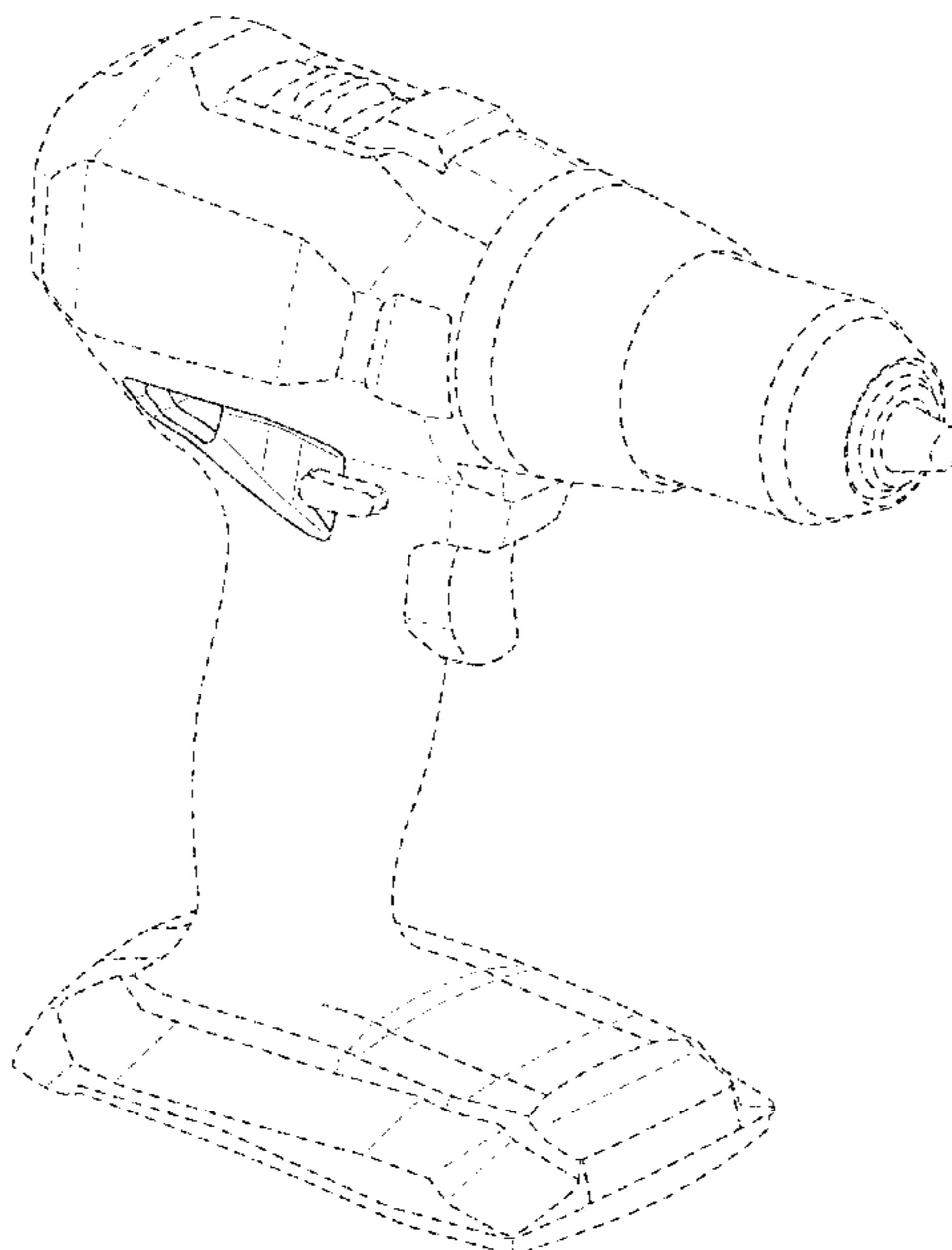
(56) **References Cited**

The broken lines shown in the drawings illustrate portions of the drill driver that form no part of the claimed design.

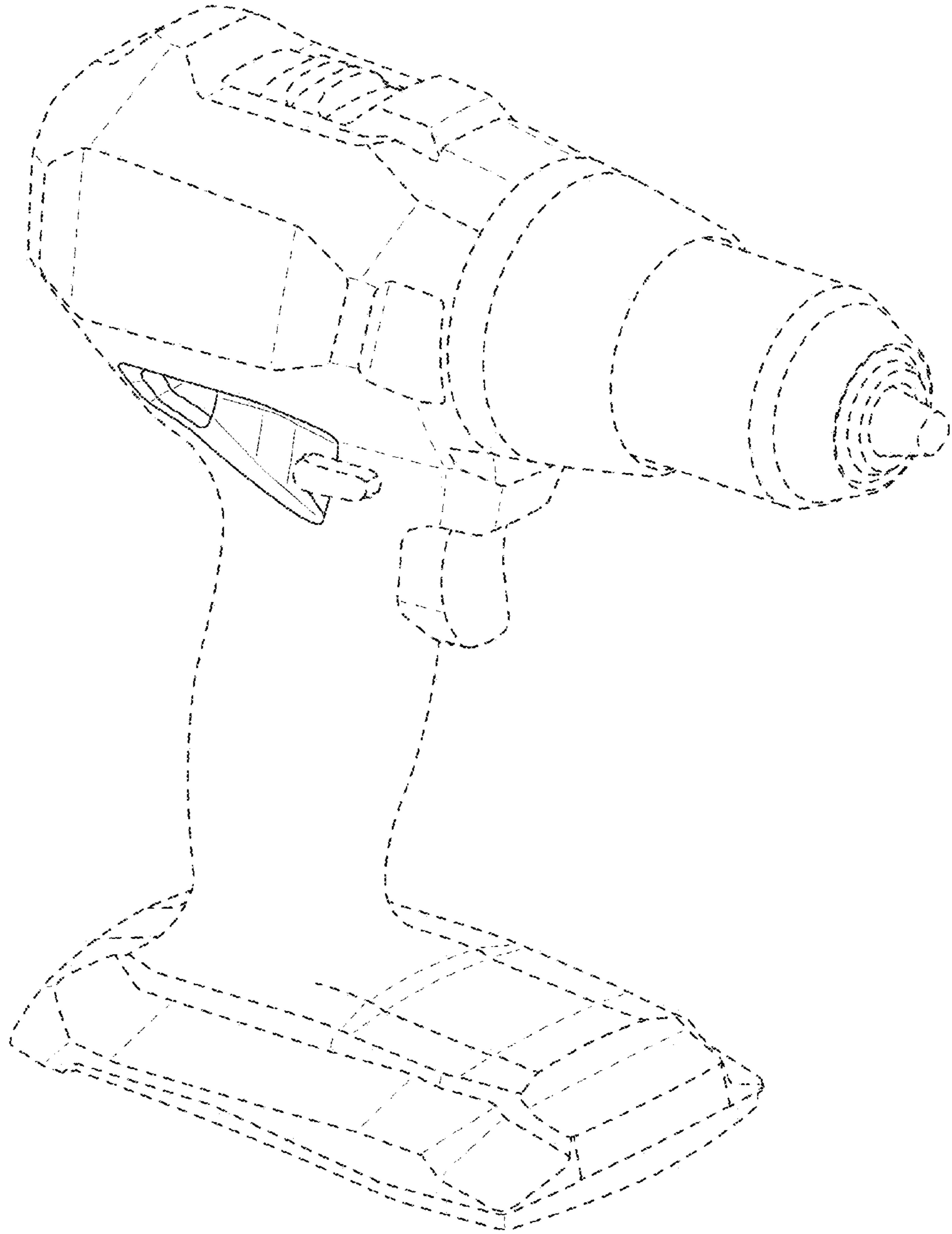
U.S. PATENT DOCUMENTS

D496,843 S * 10/2004 Sugawara D8/68
D617,622 S * 6/2010 Lopano D8/68

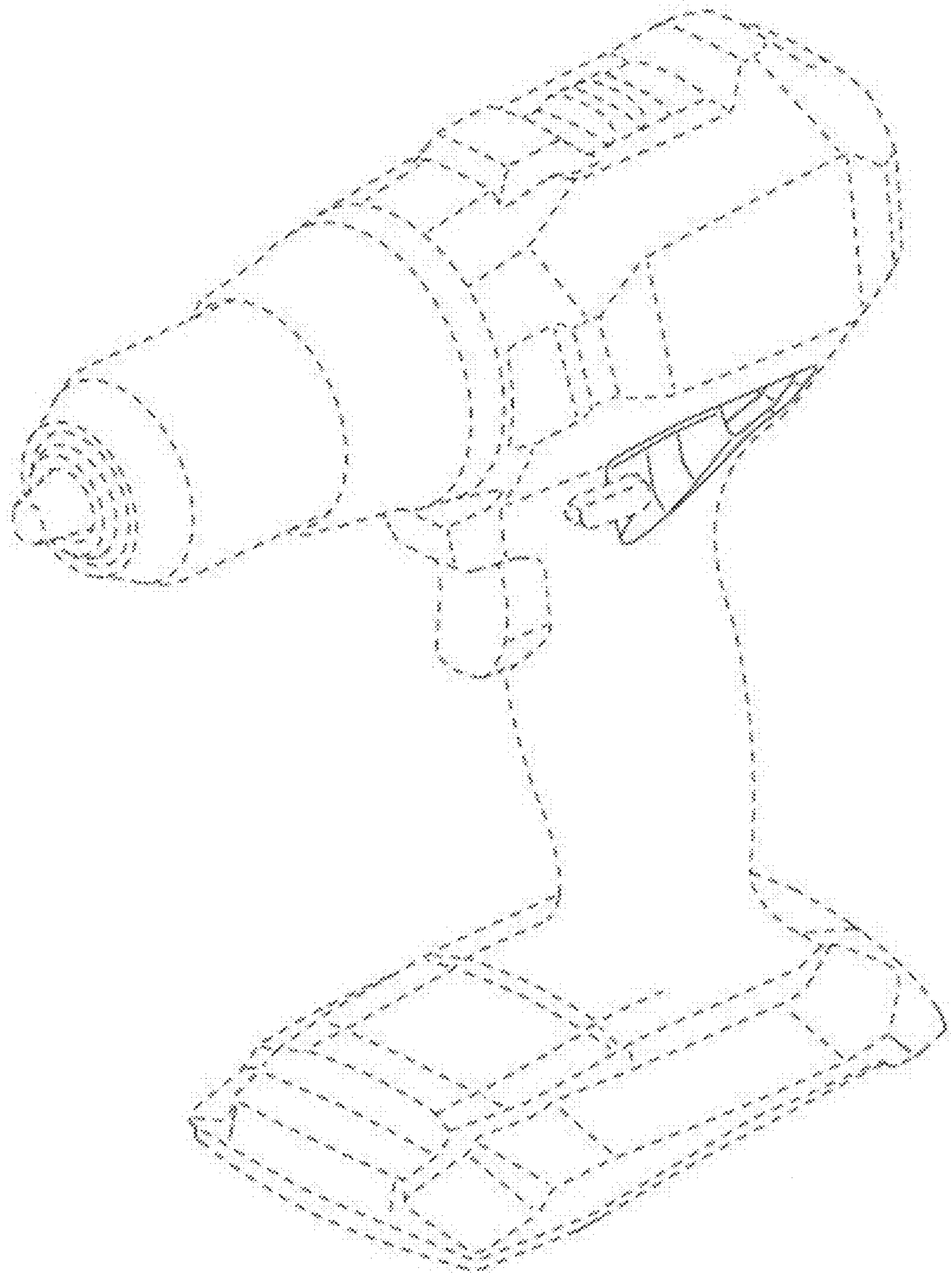
1 Claim, 8 Drawing Sheets



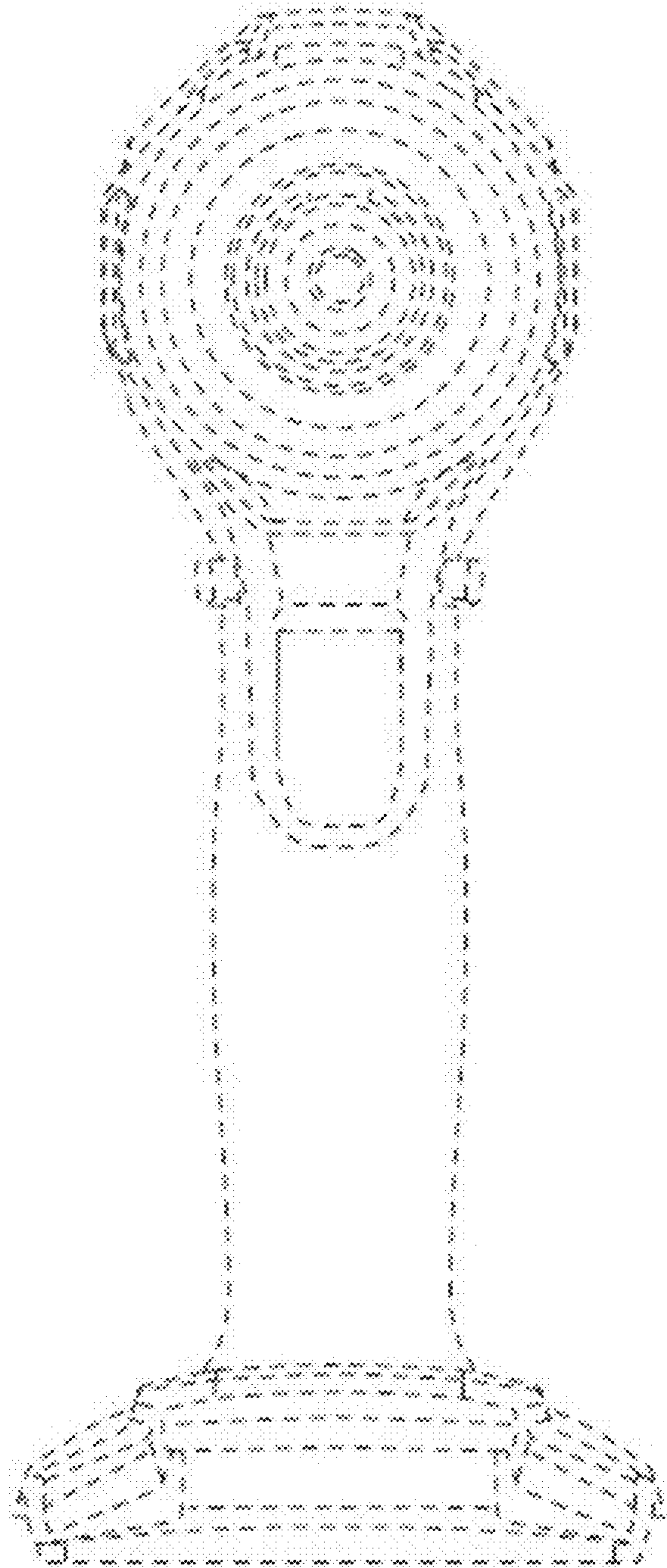
1.1



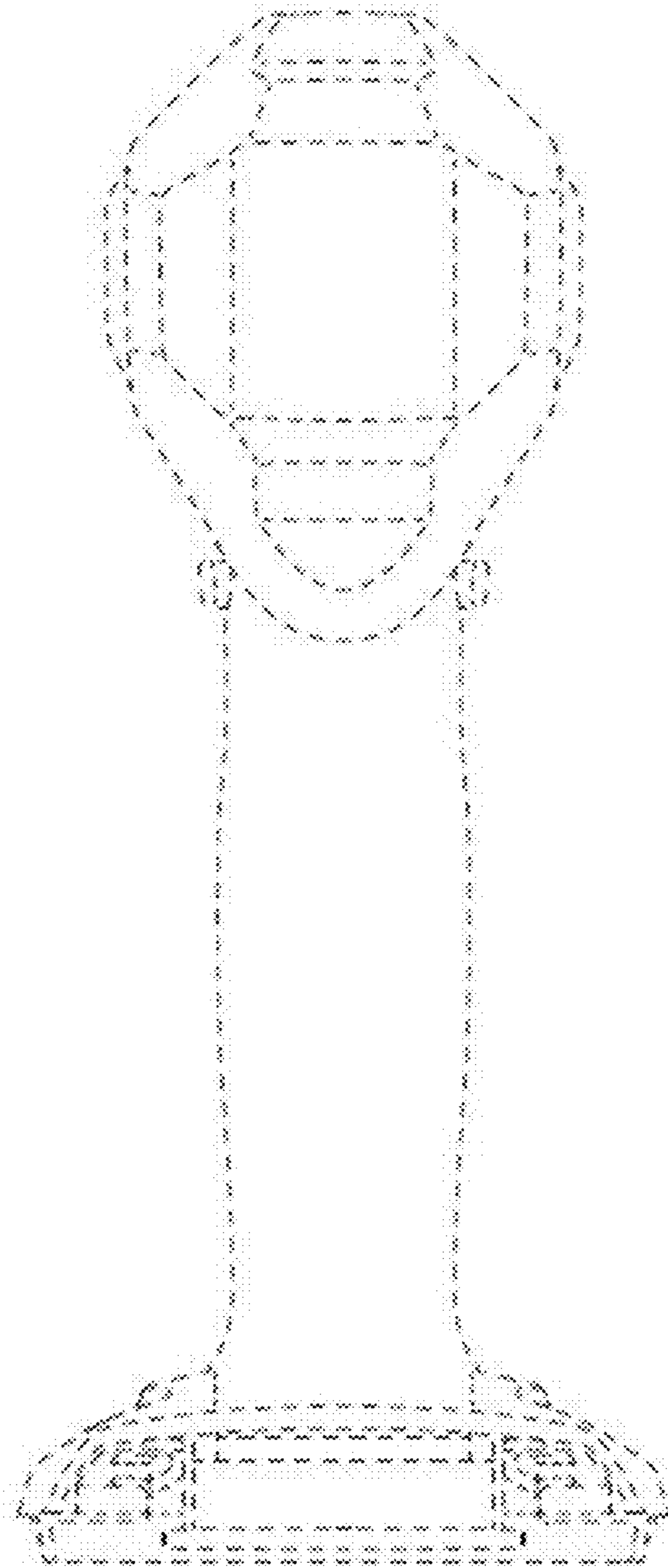
1.2



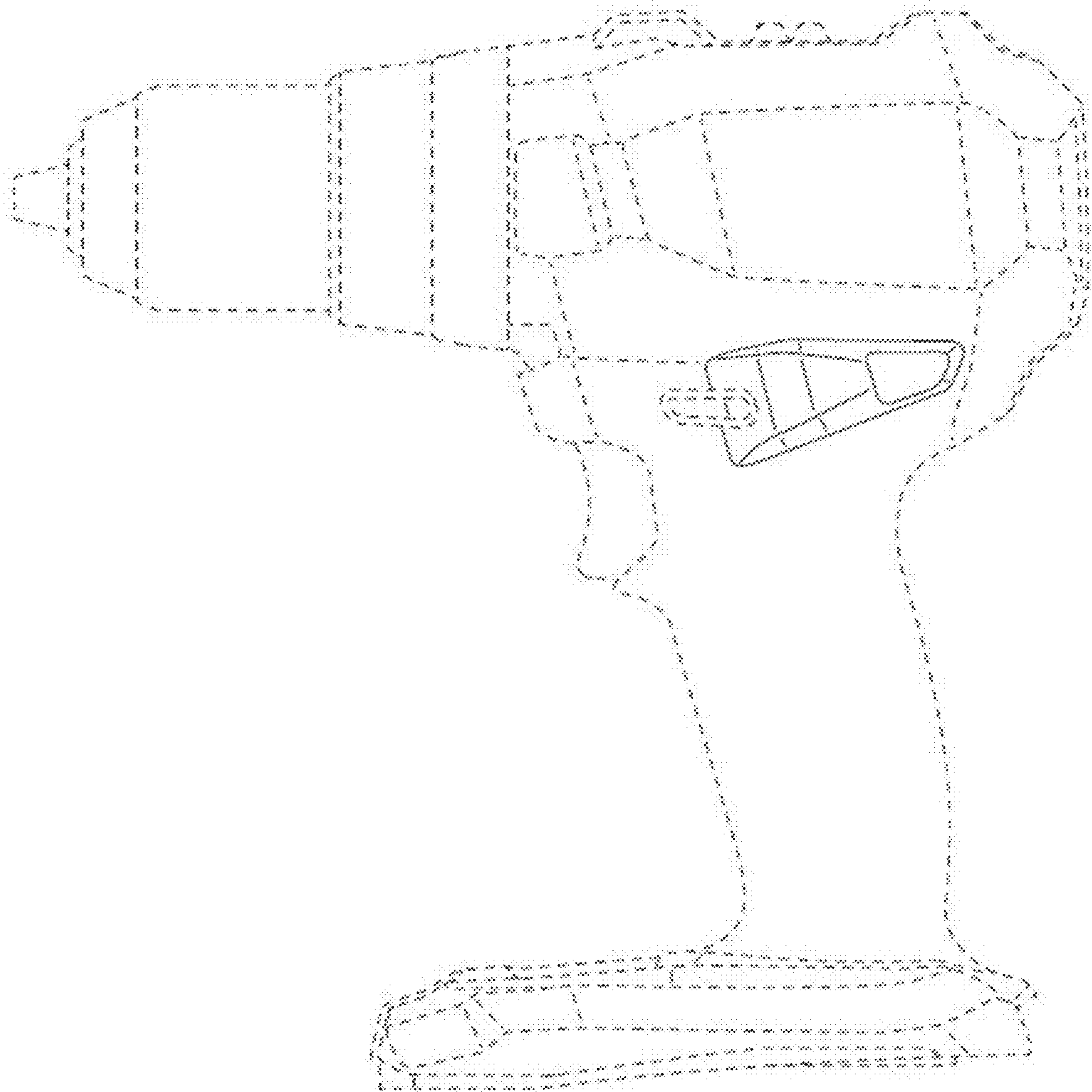
1.3



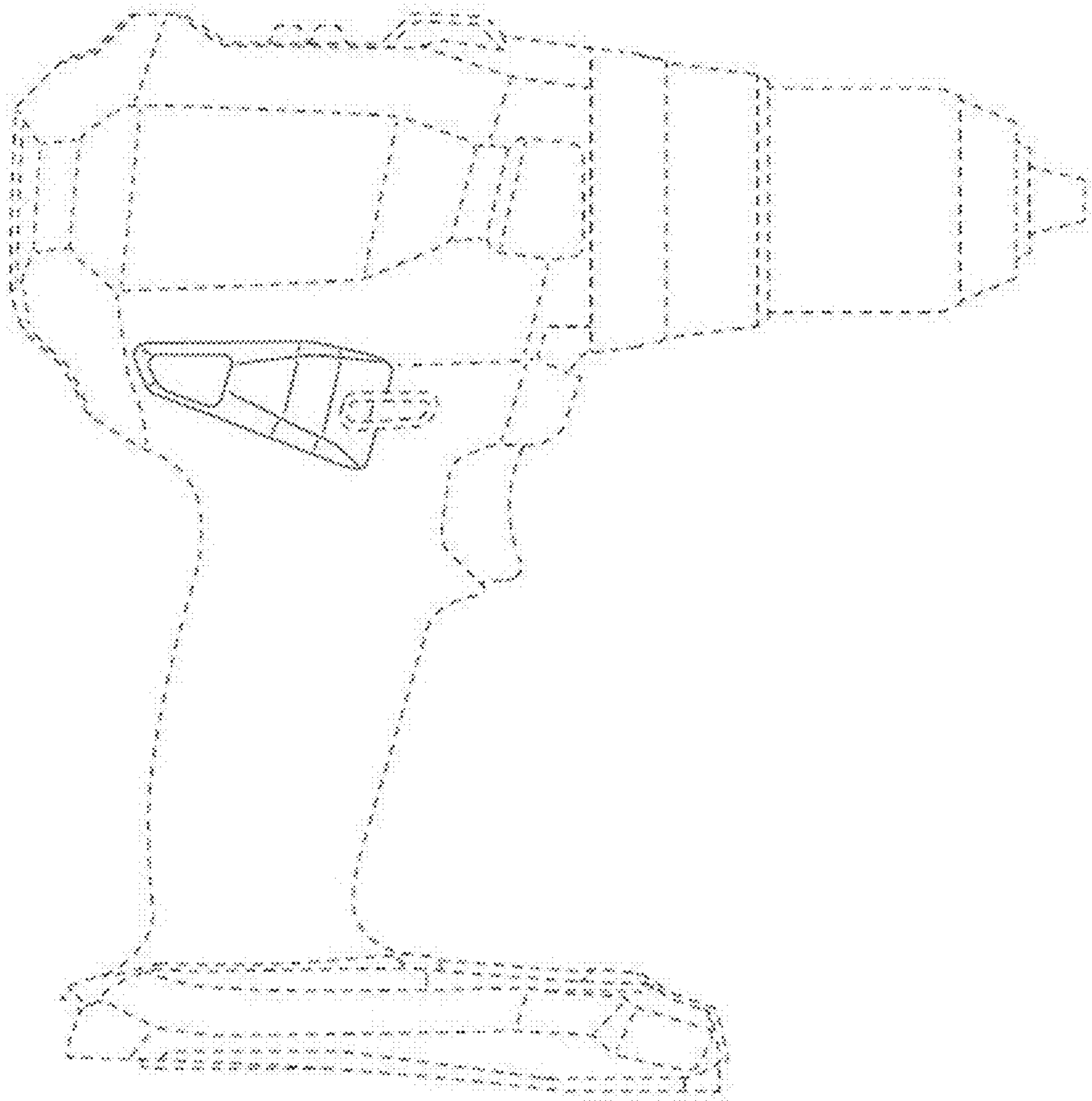
1.4



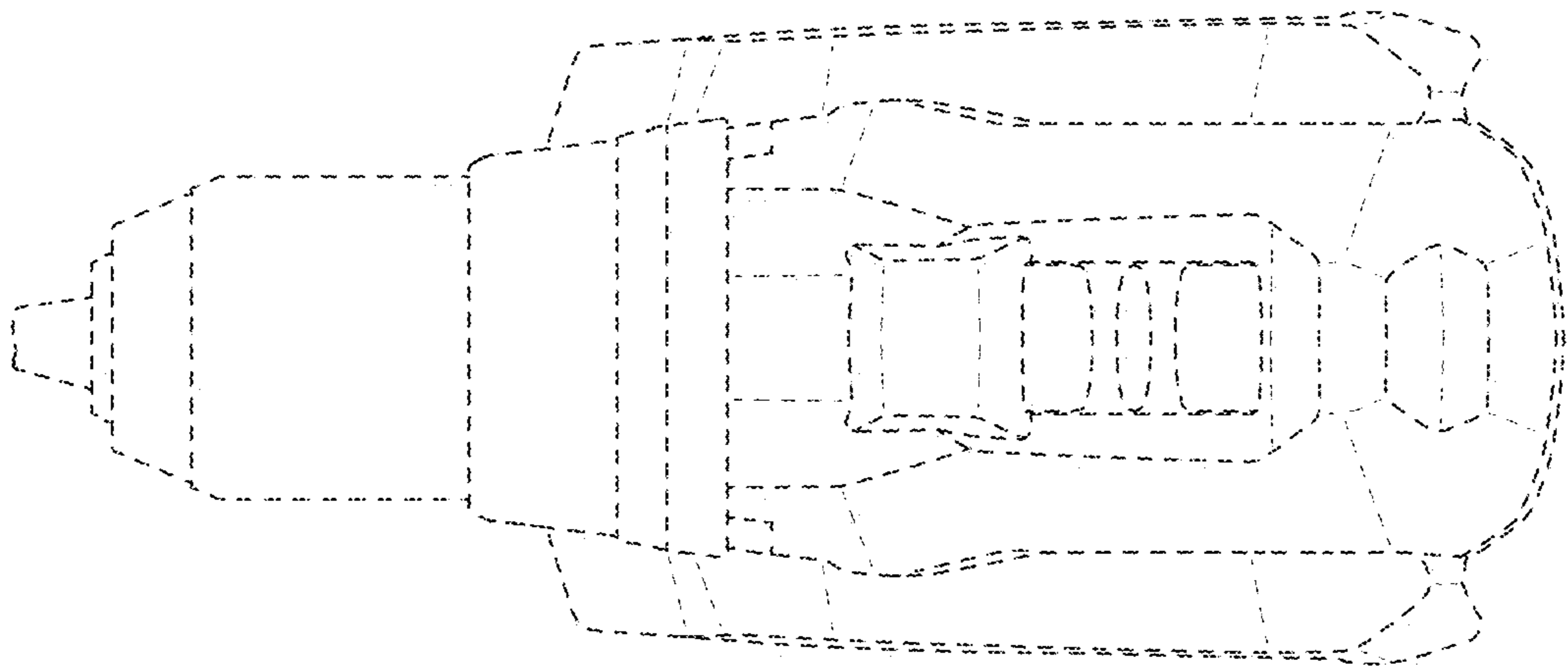
1.5



1.6



1.7



1.8

