



US00D915853S

(12) **United States Design Patent** (10) **Patent No.:** **US D915,853 S**  
**Lee** (45) **Date of Patent:** **\*\* Apr. 13, 2021**

(54) **IMPACT DRIVER**  
(71) Applicant: **Taizhou Beswell Machinery Co., Ltd.**,  
Taizhou (CN)  
(72) Inventor: **Nile Lee**, Taizhou (CN)  
(73) Assignee: **Taizhou Beswell Machinery Co., Ltd.**,  
Taizhou (CN)  
(\*\*) Term: **15 Years**  
(21) Appl. No.: **29/700,484**  
(22) Filed: **Aug. 2, 2019**  
(51) **LOC (13) Cl.** ..... **08-05**  
(52) **U.S. Cl.**  
USPC ..... **D8/68**  
(58) **Field of Classification Search**  
USPC ..... D8/61, 67, 68  
CPC .... B62D 23/005; B62D 29/00; B62D 29/043;  
B62D 31/00; B62D 33/046; B62D 35/00;  
B62D 35/001; B60Q 1/0005  
See application file for complete search history.

D507,732 S \* 7/2005 Nowak ..... D8/68  
D508,836 S \* 8/2005 Schiller ..... D8/68  
D513,690 S \* 1/2006 Etter ..... D8/68  
D537,690 S \* 3/2007 Su ..... D8/68  
D540,641 S \* 4/2007 Clay ..... D8/68  
7,673,702 B2 \* 3/2010 Johnson ..... B25B 21/00  
173/93  
D664,413 S \* 7/2012 Steinfels ..... D8/68  
D716,125 S \* 10/2014 Yaschur ..... D8/68  
D775,919 S \* 1/2017 Lee ..... D8/68  
D899,208 S \* 10/2020 Thompson ..... D8/68  
D899,210 S \* 10/2020 Thompson ..... D8/68  
D906,076 S \* 12/2020 James ..... D8/68

\* cited by examiner

*Primary Examiner* — Darlington Ly  
(74) *Attorney, Agent, or Firm* — Grumbles Law, PLLC;  
Brittany R. Nanzig

(57) **CLAIM**

The ornamental design for an impact driver, as shown and described.

**DESCRIPTION**

The file of this patent contains at least one photograph executed in color. Copies of this patent with color photographs will be provided by the Office upon request and payment of the necessary fee.  
FIG. 1 is a front and left side perspective view of an impact driver embodying my new design;  
FIG. 2 is a left side elevation view thereof;  
FIG. 3 is a rear elevation view thereof;  
FIG. 4 is a rear and right side perspective view thereof;  
FIG. 5 is a right side elevational view thereof;  
FIG. 6 is a front elevational view thereof;  
FIG. 7 is a bottom and left side perspective view thereof;  
FIG. 8 is a bottom plan view thereof; and,  
FIG. 9 is a top plan view thereof.

**1 Claim, 9 Drawing Sheets**  
**(9 of 9 Drawing Sheet(s) Filed in Color)**

(56) **References Cited**  
U.S. PATENT DOCUMENTS  
5,083,619 A \* 1/1992 Giardino ..... B25B 21/02  
173/104  
D339,726 S \* 9/1993 Bruno ..... D8/68  
D388,678 S \* 1/1998 Bantly ..... D8/68  
D393,580 S \* 4/1998 Bantly ..... D8/68  
D434,297 S \* 11/2000 Iritani ..... D8/68  
D434,958 S \* 12/2000 Izumisawa ..... D8/68  
D436,818 S \* 1/2001 Izumisawa ..... D8/68  
D461,110 S \* 8/2002 Izumisawa ..... D8/68  
D469,673 S \* 2/2003 Sliker ..... D8/68  
D476,210 S \* 6/2003 Chen ..... D8/68  
D496,243 S \* 9/2004 Huang ..... D8/68  
D497,529 S \* 10/2004 Price ..... D8/68  
D497,787 S \* 11/2004 Liao ..... D8/68  
6,883,619 B1 \* 4/2005 Huang ..... B25B 21/02  
173/168



FIG. 1



FIG. 2



FIG. 3

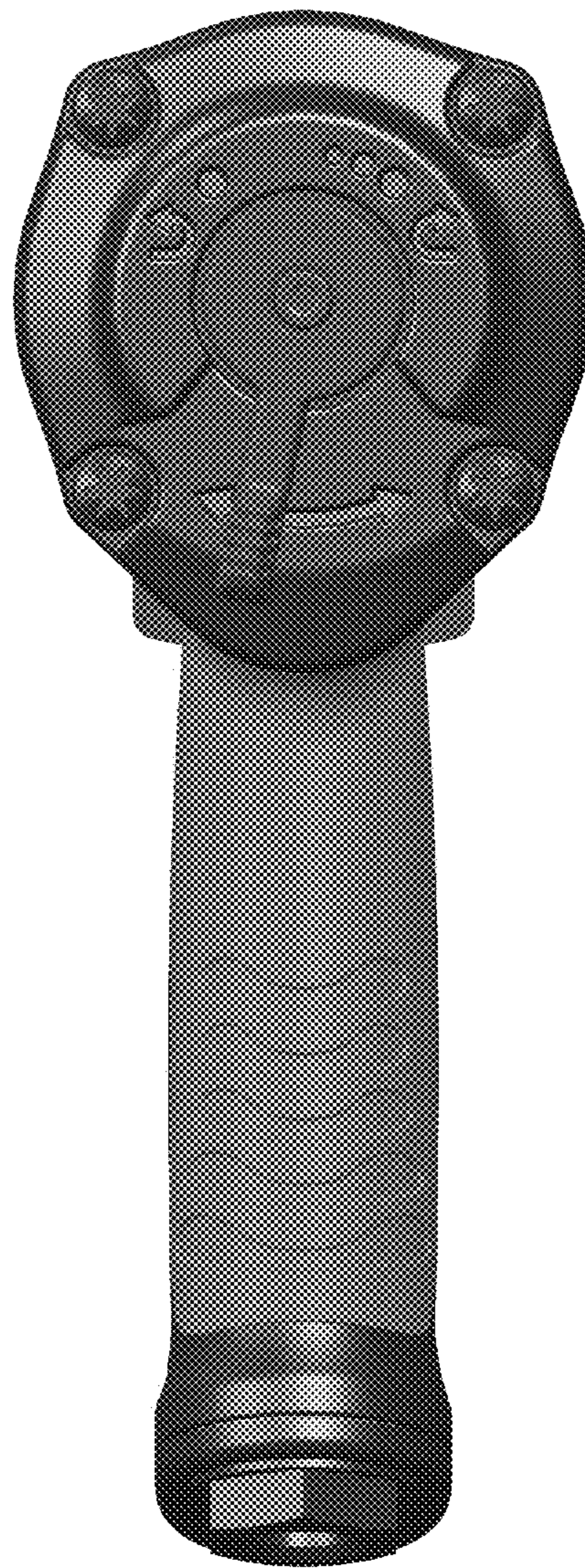


FIG. 4



FIG. 5



FIG. 6

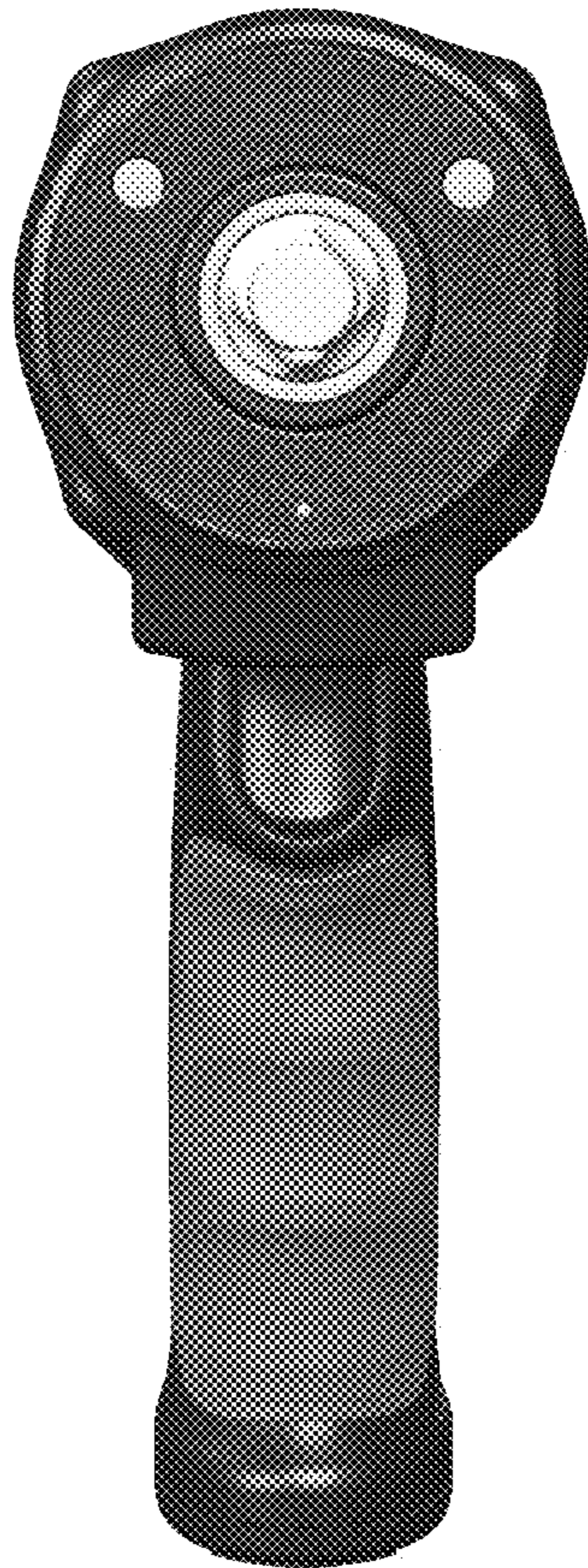


FIG. 7





FIG. 8

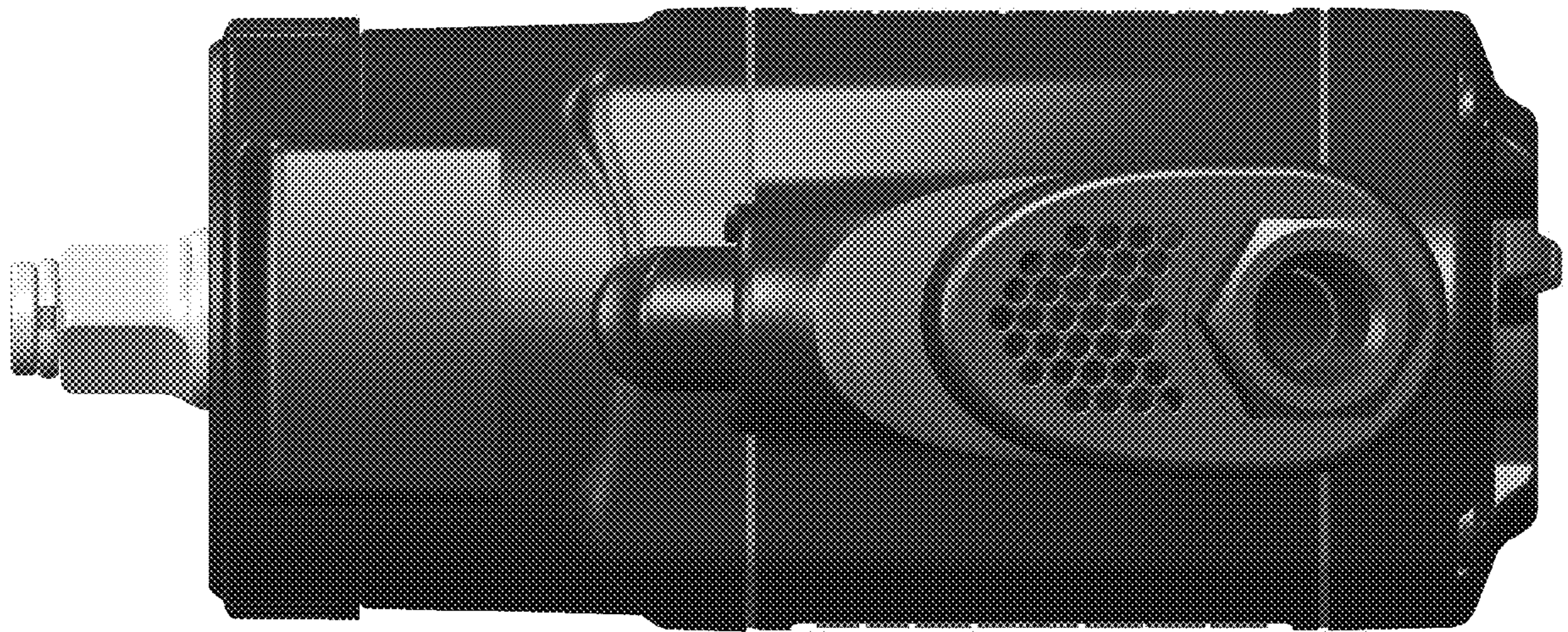


FIG. 9

