



US00D915852S

(12) **United States Design Patent**  
**Yin**

(10) **Patent No.:** **US D915,852 S**

(45) **Date of Patent:** **\*\* Apr. 13, 2021**

- (54) **CIRCULAR SAW**
- (71) Applicant: **SHENZHEN AUKEYHI TECHNOLOGY CO., LTD.**, Shenzhen (CN)
- (72) Inventor: **Xiaowei Yin**, Shenzhen (CN)
- (73) Assignee: **SHENZHEN AUKEYHI TECHNOLOGY CO., LTD.**, Shenzhen (CN)
- (\*\*) Term: **15 Years**
- (21) Appl. No.: **29/706,979**
- (22) Filed: **Sep. 25, 2019**

7,963,829 B2 *	6/2011	Gwyther	.....	A22B 5/163 452/133
D642,886 S *	8/2011	Sciamma	.....	D8/66
D754,509 S *	4/2016	Lee	.....	D8/66
D820,655 S *	6/2018	Waldron	.....	D8/66
D875,498 S *	2/2020	Yang	.....	D8/66

\* cited by examiner

*Primary Examiner* — Austin Murphy

(30) **Foreign Application Priority Data**

May 10, 2019 (EM) ..... 006433660

(51) **LOC (13) Cl.** ..... **08-03**

(52) **U.S. Cl.**  
USPC ..... **D8/66**

(58) **Field of Classification Search**  
USPC .... D8/69, 68, 67, 66, 64, 61, 70; 83/698.41,  
83/747, 166.3, 374, 373, 375, 376, 391,  
83/377, 390, 388, 389; 125/13.01;  
144/218  
CPC .... B27B 9/00; B27B 9/02; B27B 5/02; B27B  
5/18; B27B 33/08; B27B 1/04; B27B  
1/045; B27B 45/00

See application file for complete search history.

(56) **References Cited**

**U.S. PATENT DOCUMENTS**

D282,142 S \* 1/1986 Siravo ..... D8/66  
D521,680 S \* 5/2006 Chen ..... D27/148

(57) **CLAIM**

The ornamental design for a circular saw, as shown and described.

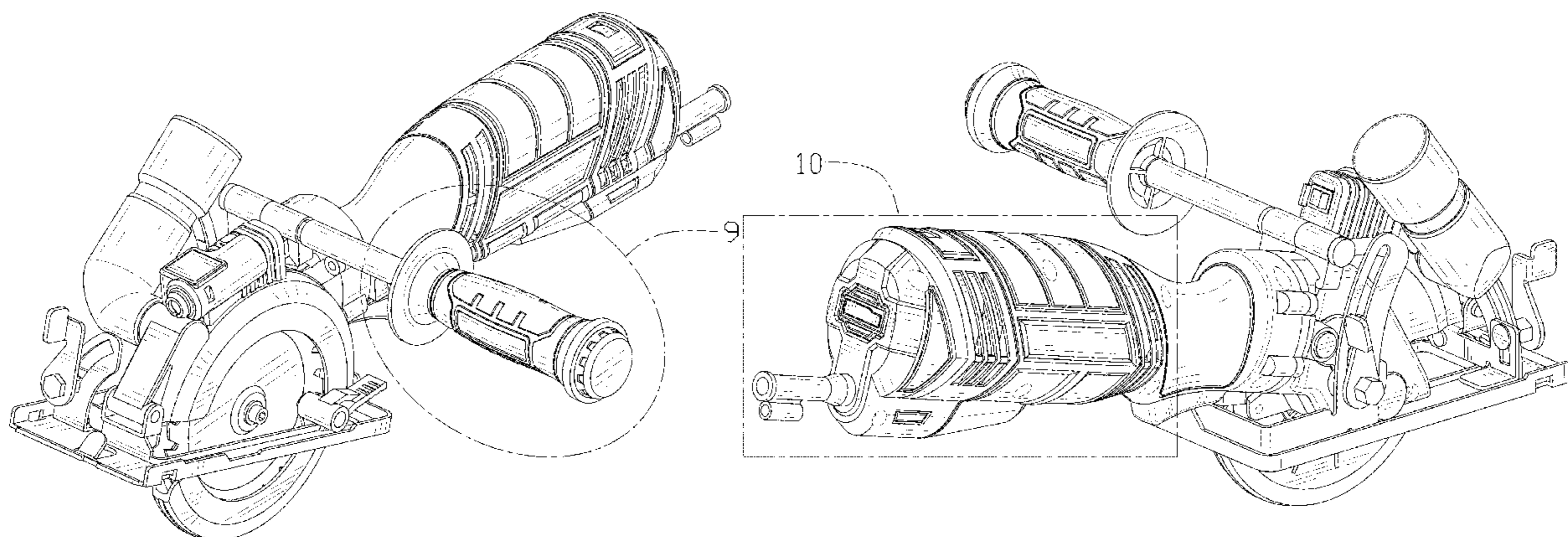
**DESCRIPTION**

FIG. 1 is a front elevational view thereof;  
FIG. 2 is a rear elevational view thereof;  
FIG. 3 is a left side view thereof;  
FIG. 4 is a right side view thereof;  
FIG. 5 is a top plan view thereof;  
FIG. 6 is a bottom plan view thereof;  
FIG. 7 is a first perspective view of a circular saw showing our new design;  
FIG. 8 is a second perspective view thereof;  
FIG. 9 is an enlarged view of the portion marked as “9” in FIG. 7; and,  
FIG. 10 is an enlarged view of the portion marked as “10” in FIG. 8.

The evenly broken lines in the drawings illustrate portions of the article that form no part of the claim.

The dot-dash lines shown from FIGS. 7, 8, 9 and 10 represent the designation of enlargement views and form no part of the claimed design.

**1 Claim, 10 Drawing Sheets**



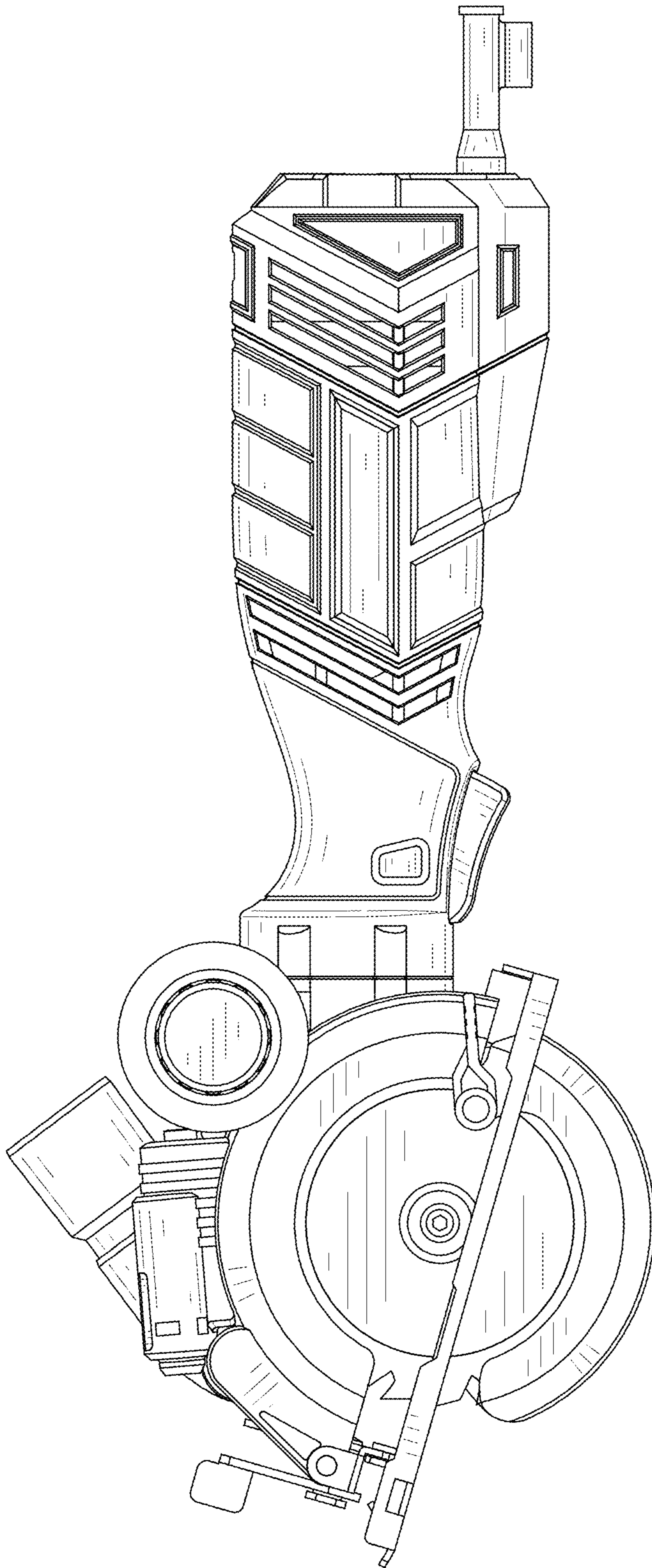


FIG. 1

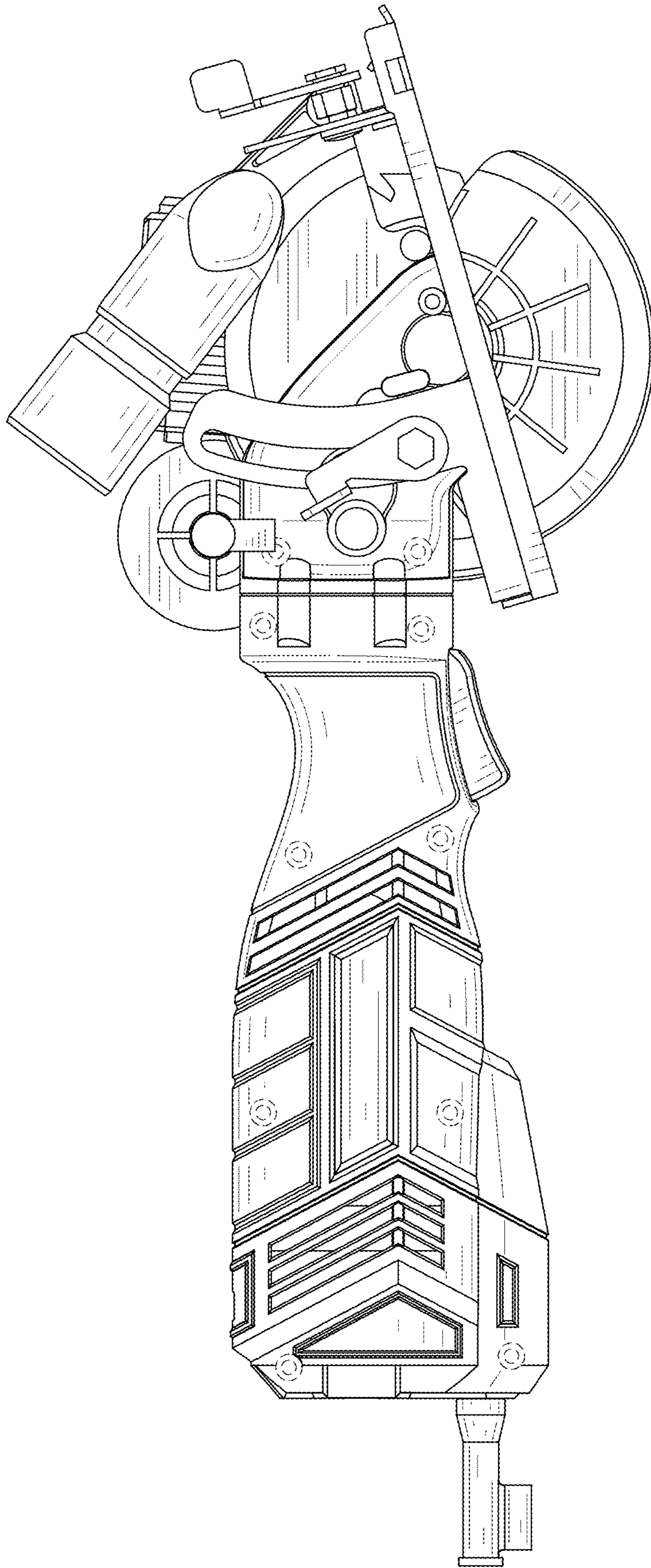


FIG. 2

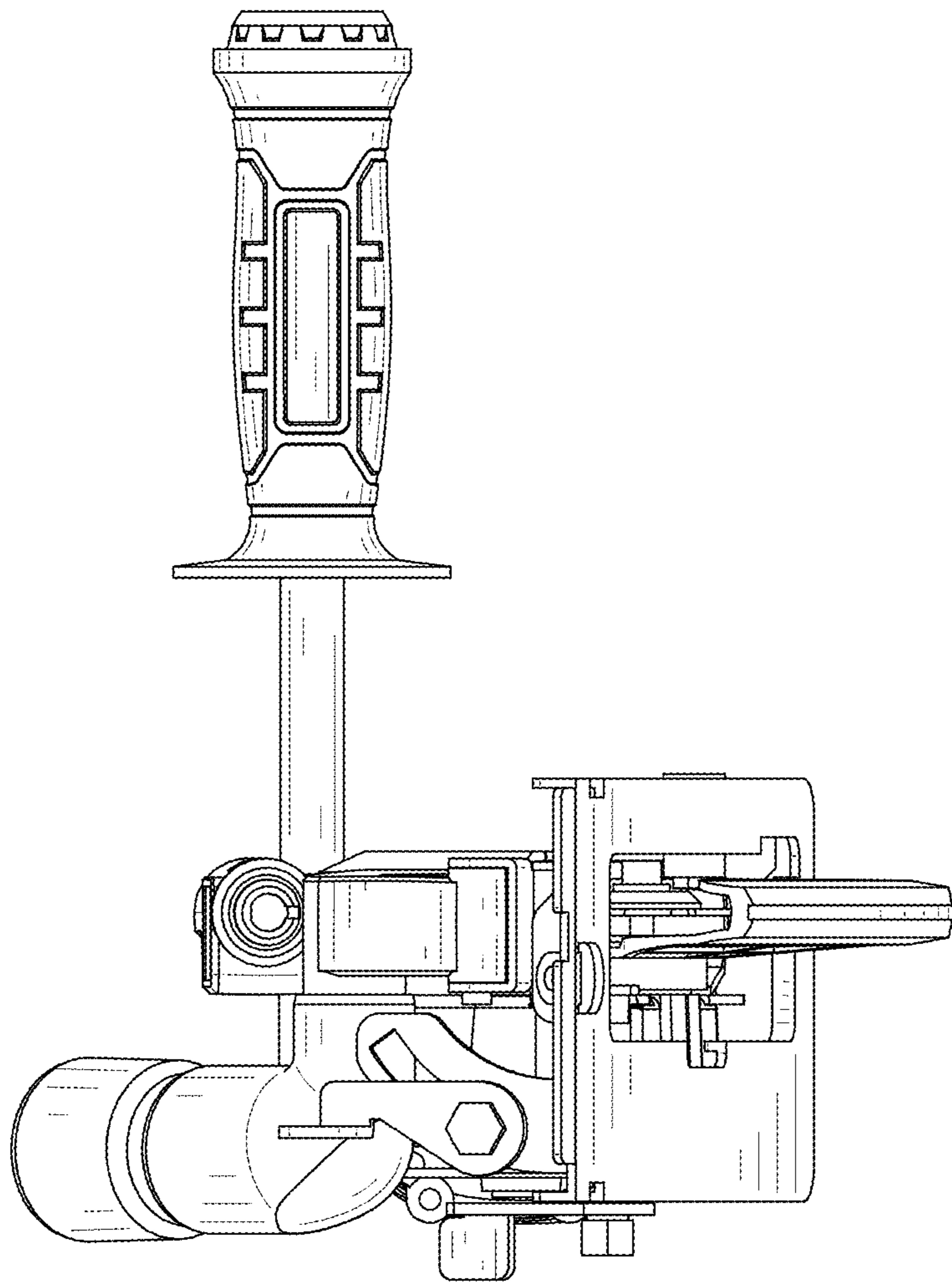


FIG. 3

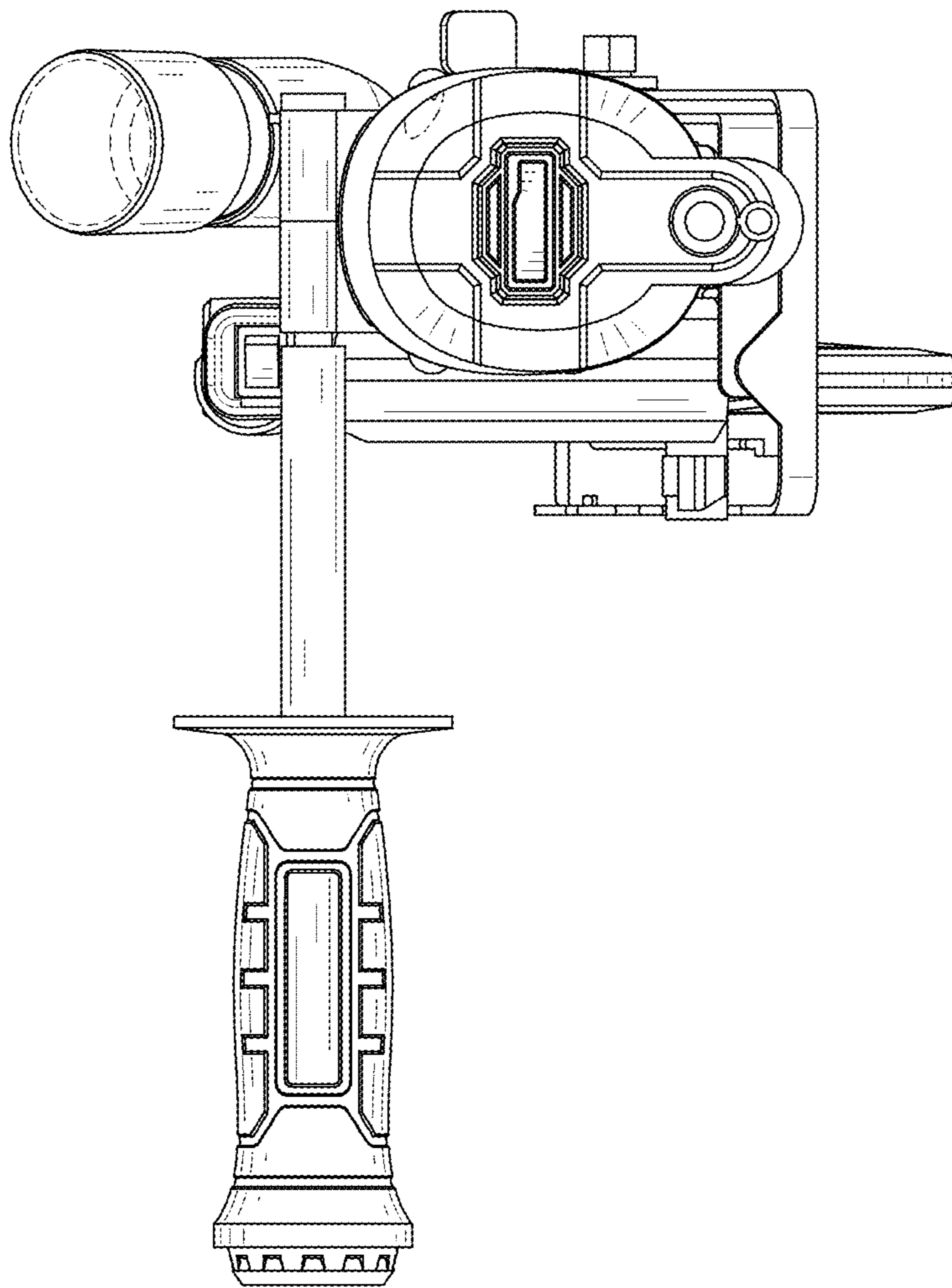


FIG. 4

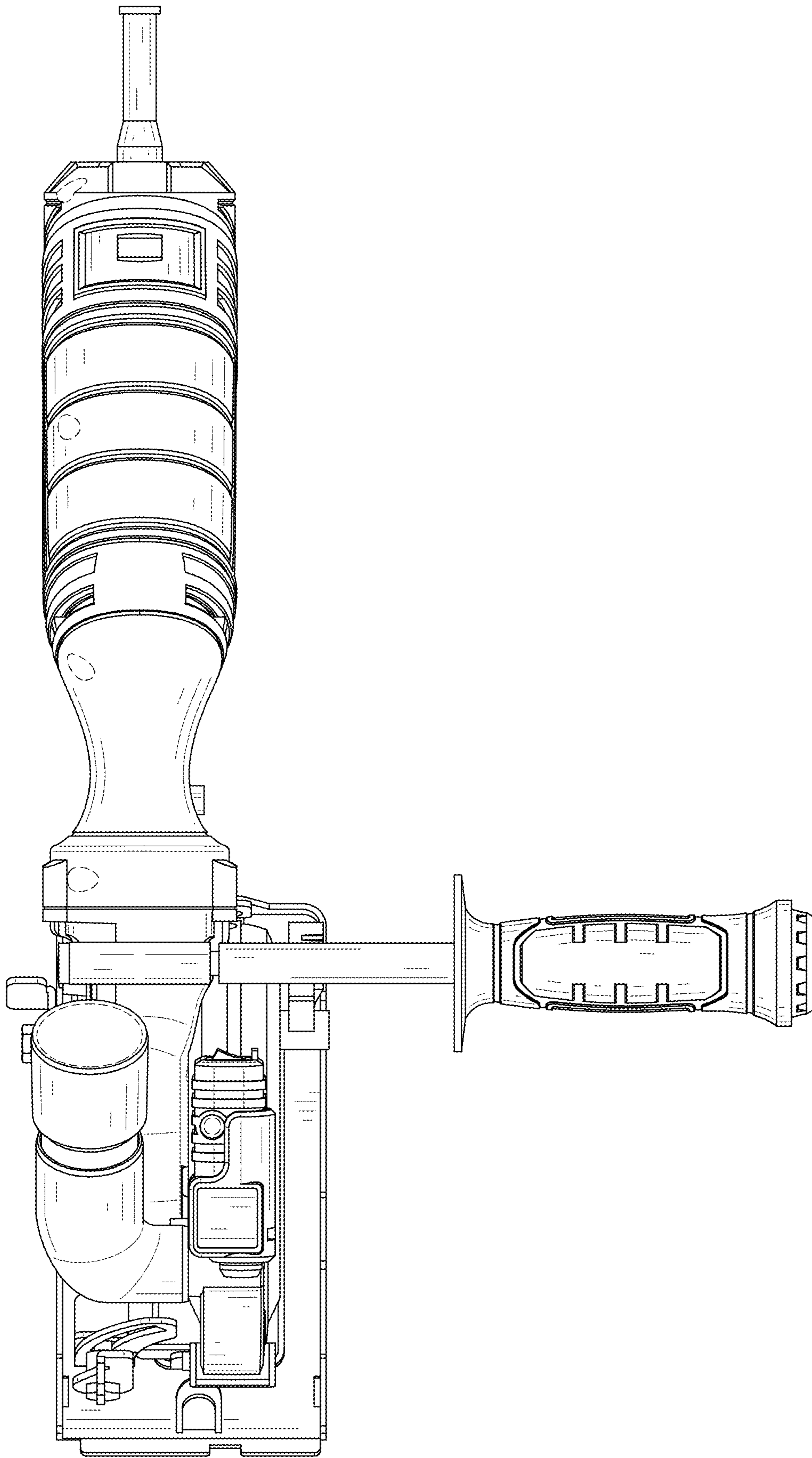


FIG. 5

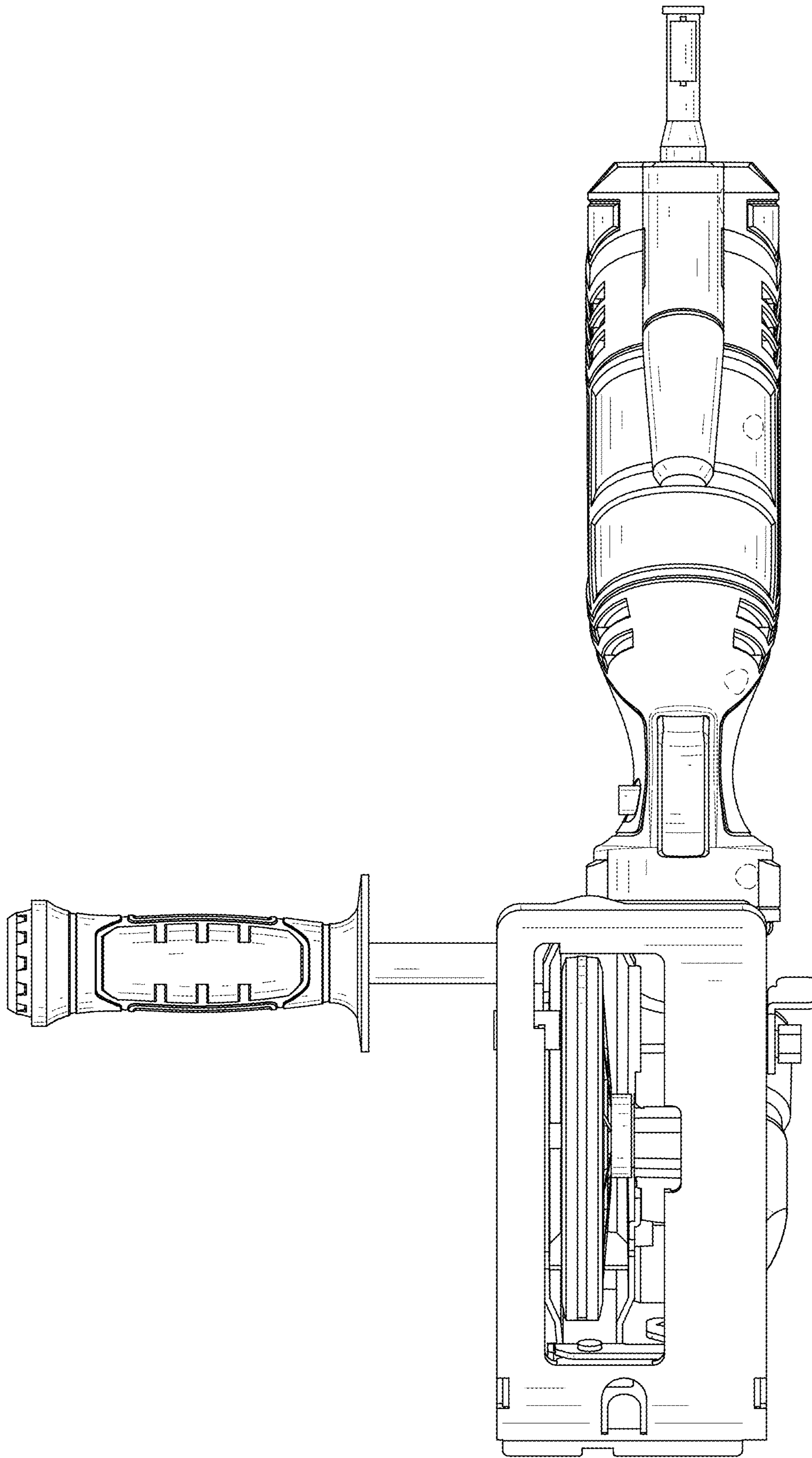


FIG. 6

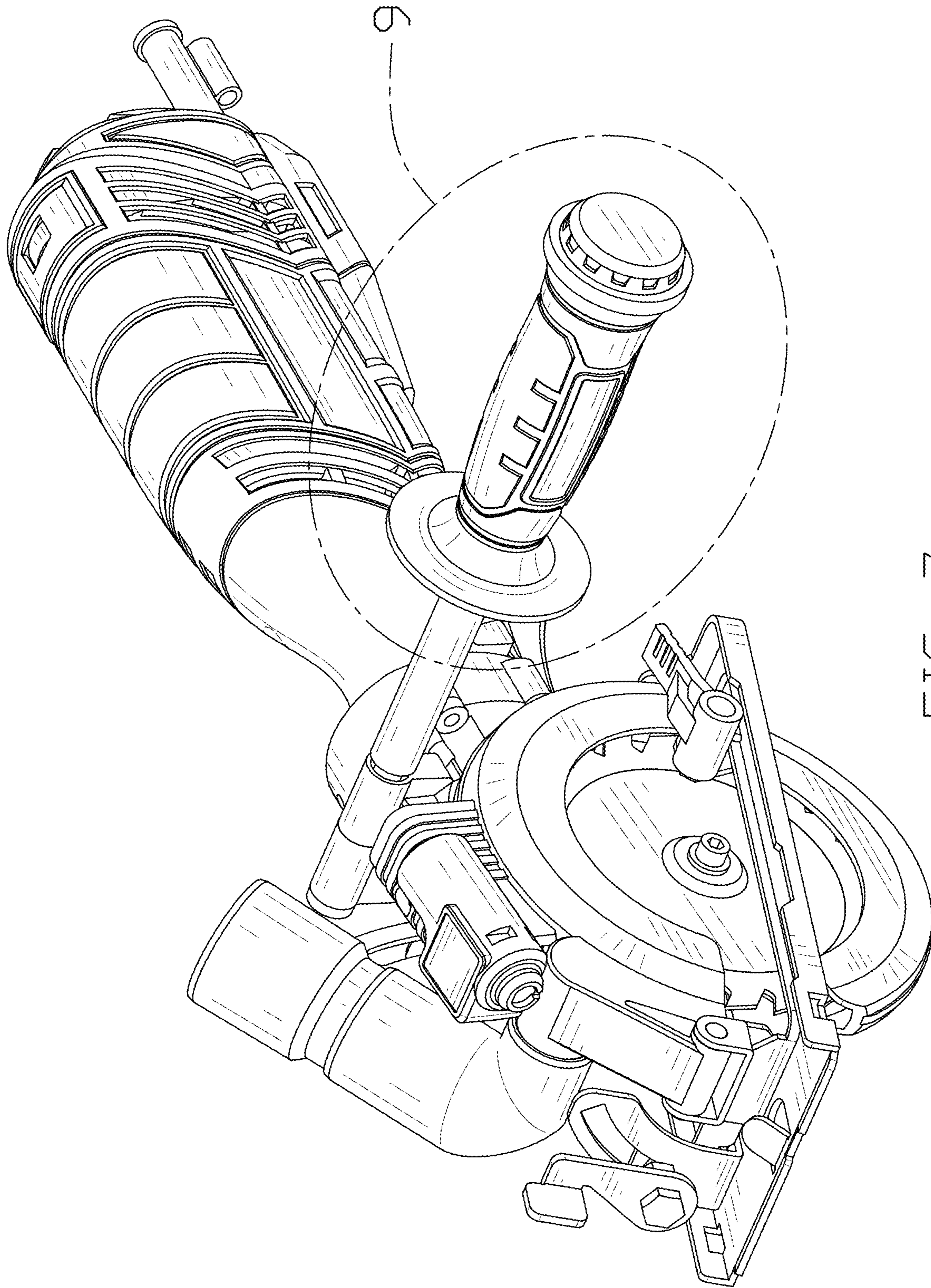


FIG. 7



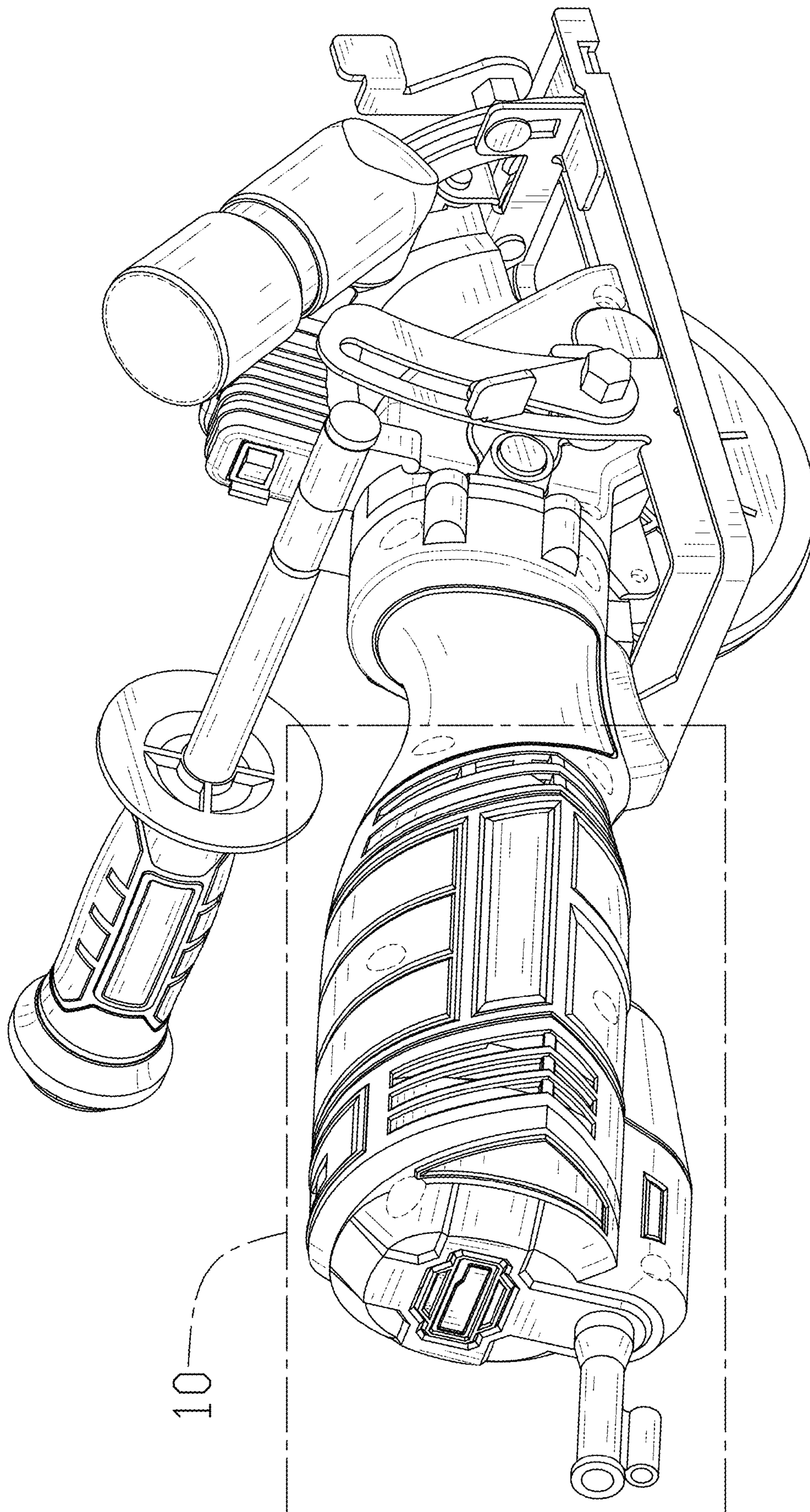


FIG. 8

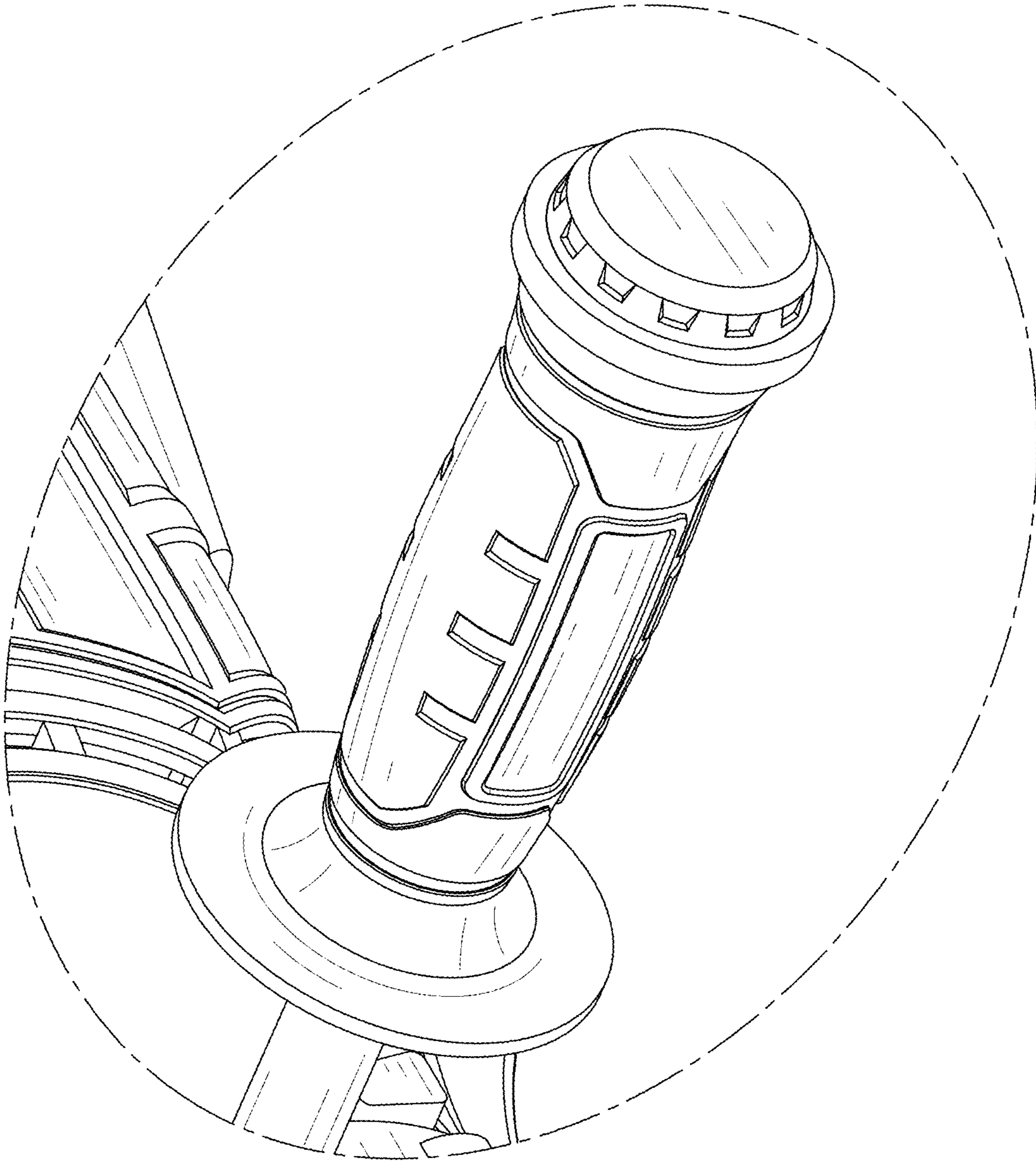


FIG. 9

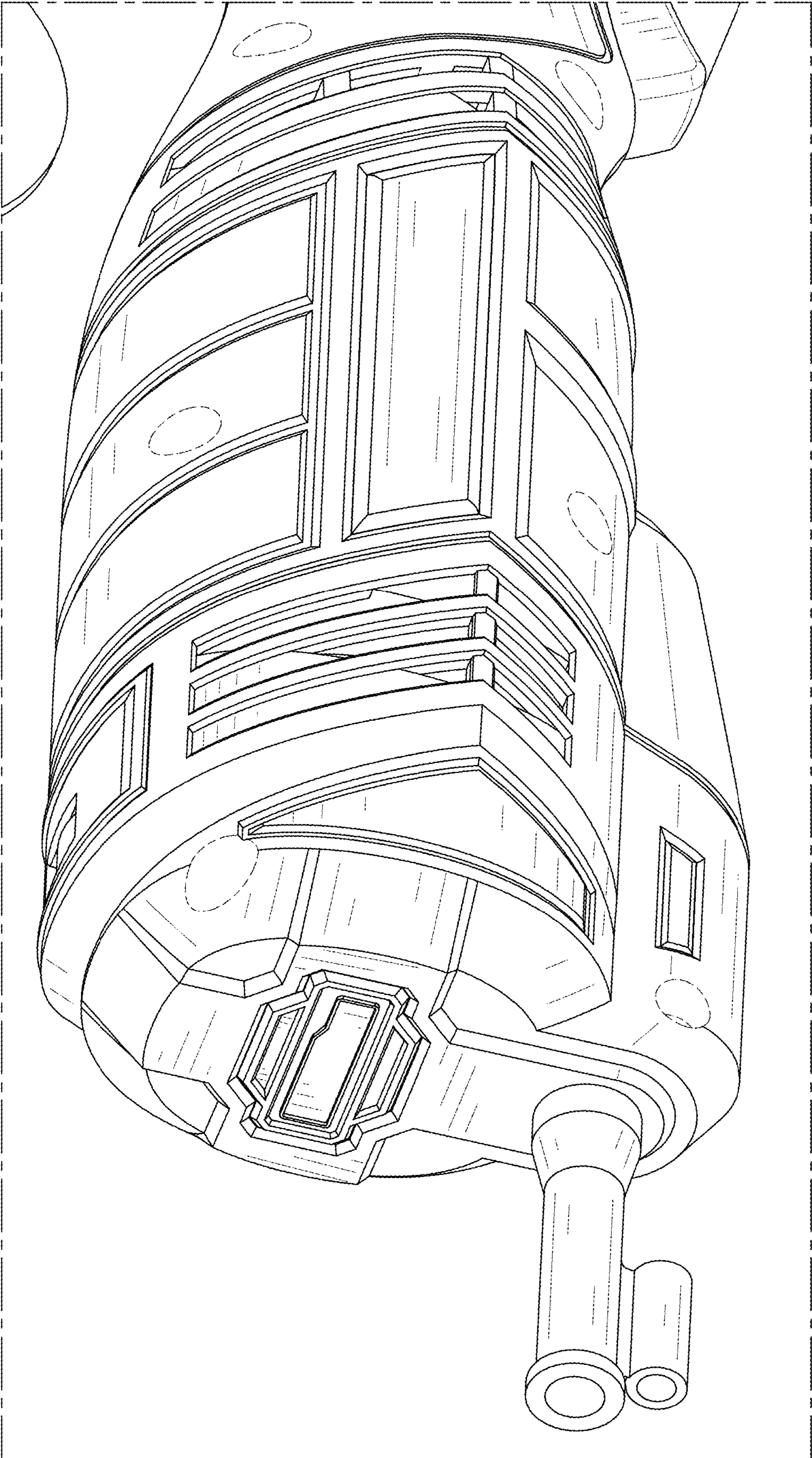


FIG. 10