



US00D915851S

(12) **United States Design Patent** (10) **Patent No.:** **US D915,851 S**
Lee et al. (45) **Date of Patent:** **** Apr. 13, 2021**

(54) **SCREWDRIVER**
(71) Applicant: **The Hive co., Ltd**, Busan (KR)
(72) Inventors: **Sang Min Lee**, Busan (KR); **Ji Won Park**, Cheongju-si (KR)
(73) Assignee: **THE HIVE CO., LTD**, Busan (KR)
(**) Term: **15 Years**
(21) Appl. No.: **29/713,293**
(22) Filed: **Nov. 14, 2019**
(30) **Foreign Application Priority Data**

D526,872 S * 8/2006 Snider D8/61
D528,385 S * 9/2006 Netzler D8/61
D586,195 S * 2/2009 Okuda D8/61
D688,109 S * 8/2013 Vanderbeek D8/61
D703,017 S * 4/2014 Concari B25B 21/00
D8/61
D715,615 S * 10/2014 Nagy D8/61
D755,032 S * 5/2016 Martinez D8/61
2014/0014385 A1 * 1/2014 Kosugi B25B 21/00
173/217
2014/0048298 A1 * 2/2014 Fuchs B25B 23/147
173/1
2014/0056660 A1 * 2/2014 Eshleman B23B 51/009
408/9
2016/0046011 A1 * 2/2016 Ogle B24B 23/02
173/1
2016/0221165 A1 * 8/2016 Hita G08B 5/36
2018/0185993 A1 * 7/2018 Hita B25B 23/147

Oct. 16, 2019 (KR) 30-2019-0049181
(51) **LOC (13) Cl.** **08-05**
(52) **U.S. Cl.**
USPC **D8/61**
(58) **Field of Classification Search**
USPC D8/61, 62, 82, 83, 84, 85, 87, 107
CPC B25B 21/00; B25B 21/02; B25B 21/008;
B25B 23/1405; F16D 41/206; B25F
5/001
See application file for complete search history.

* cited by examiner

Primary Examiner — Philip S Hyder
(74) *Attorney, Agent, or Firm* — Bayramoglu Law Offices LLC

(57) **CLAIM**

The ornamental design for a screwdriver, as shown and described.

DESCRIPTION

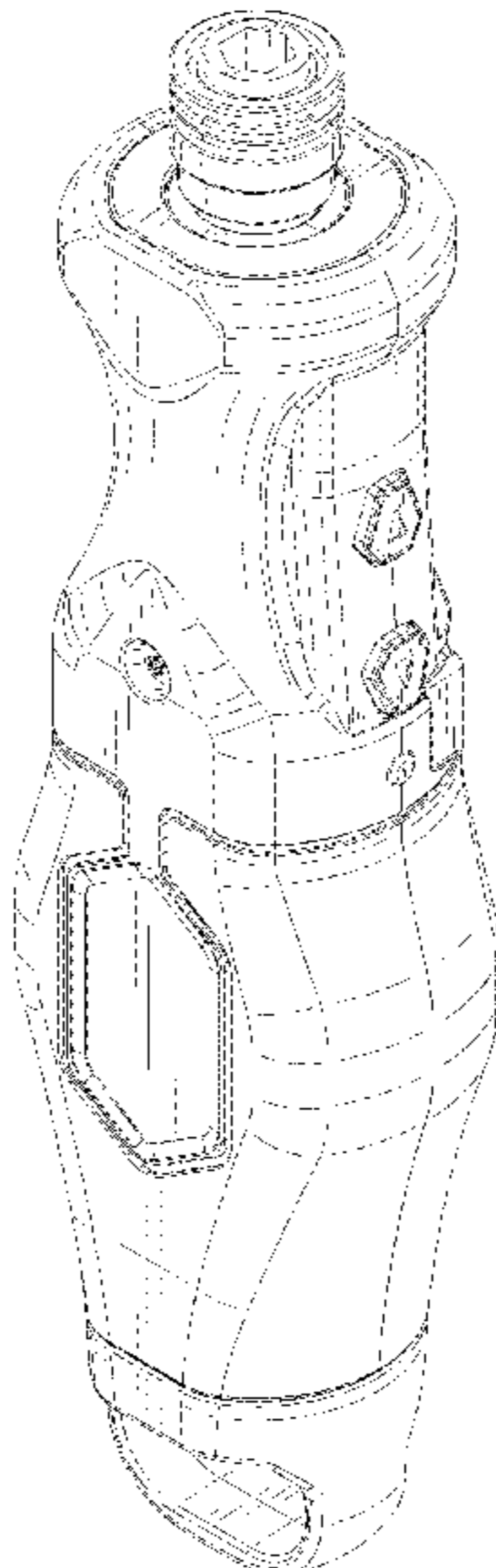
(56) **References Cited**

U.S. PATENT DOCUMENTS

5,525,889 A * 6/1996 Chan B25B 21/00
173/217
D380,658 S * 7/1997 Bruno D24/146
D391,820 S * 3/1998 Bunyea D8/61
D423,897 S * 5/2000 Cooper D8/61
D470,374 S * 2/2003 Murray D8/61
D474,086 S * 5/2003 Heun D8/61
D487,383 S * 3/2004 Ng D8/61
D491,031 S * 6/2004 Davis D8/61
6,817,424 B1 * 11/2004 Su B25F 5/02
173/216
D502,071 S * 2/2005 Snider D8/61

FIG. 1 is a perspective view of a screwdriver showing our new design;
FIG. 2 is a front view thereof;
FIG. 3 is a rear view thereof;
FIG. 4 is a left side view thereof;
FIG. 5 is a right side view thereof;
FIG. 6 is an enlarged top plan view thereof; and,
FIG. 7 is an enlarged bottom plan view thereof.
The broken lines depict portions of the screwdriver in which the design is embodied that form no part of the claimed design.

1 Claim, 7 Drawing Sheets



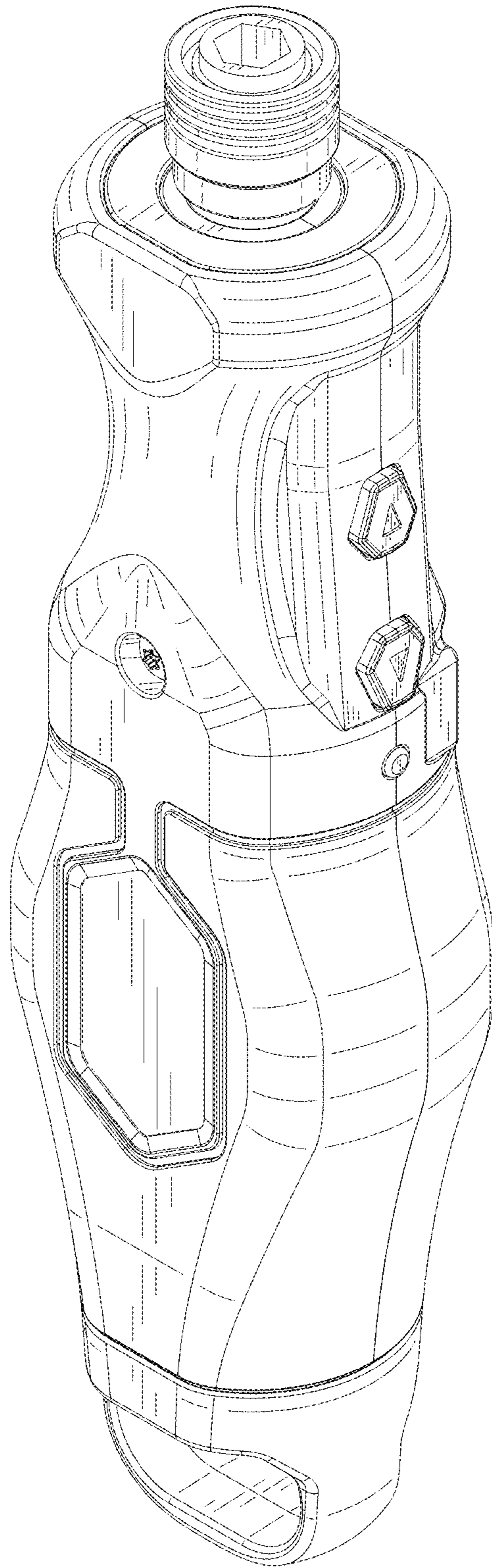


FIG. 1

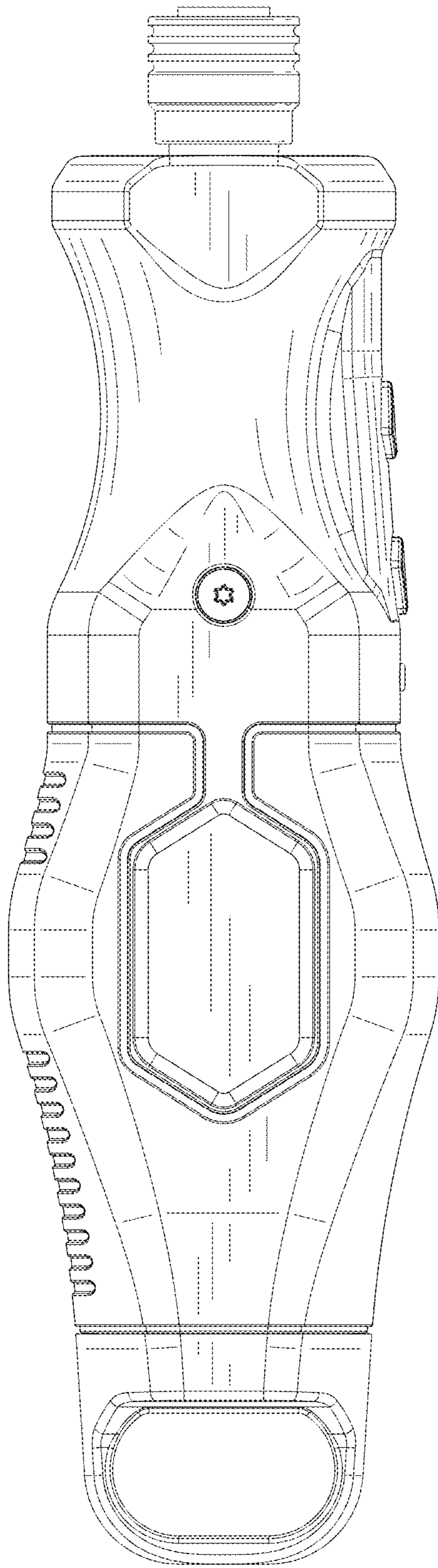


FIG. 2

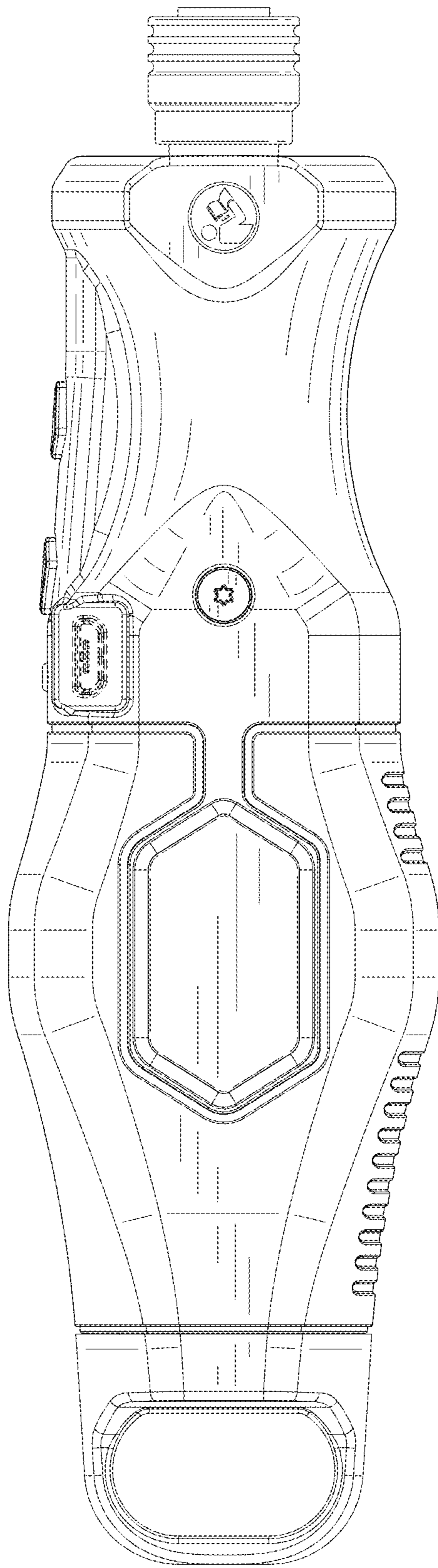


FIG. 3

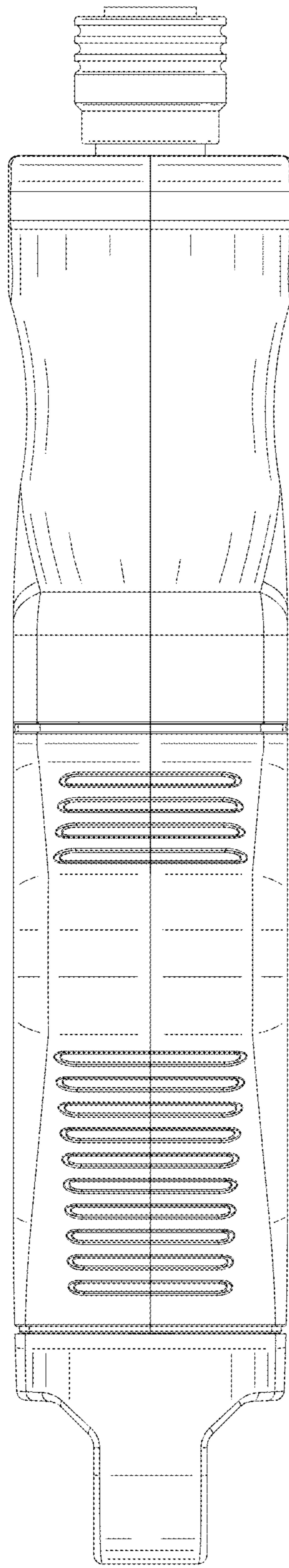


FIG. 4

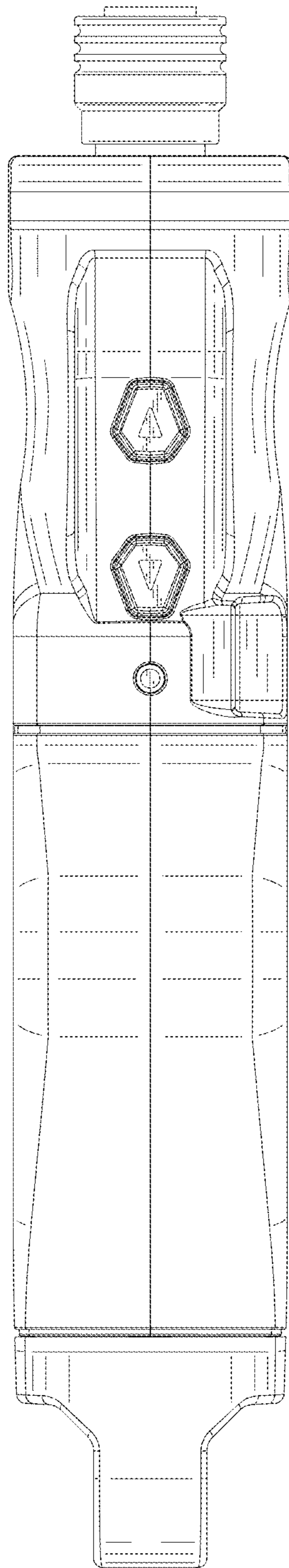


FIG. 5

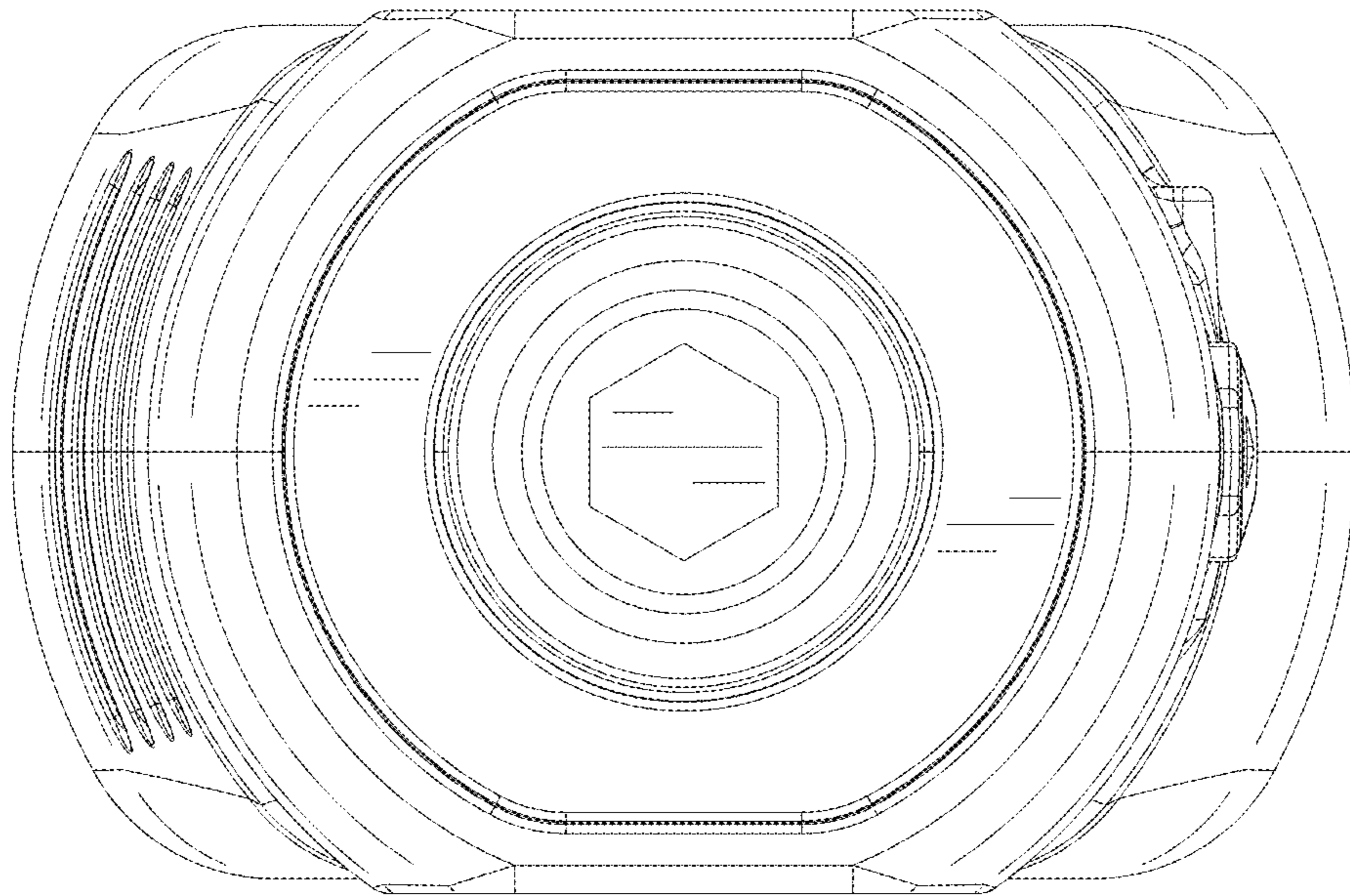


FIG. 6

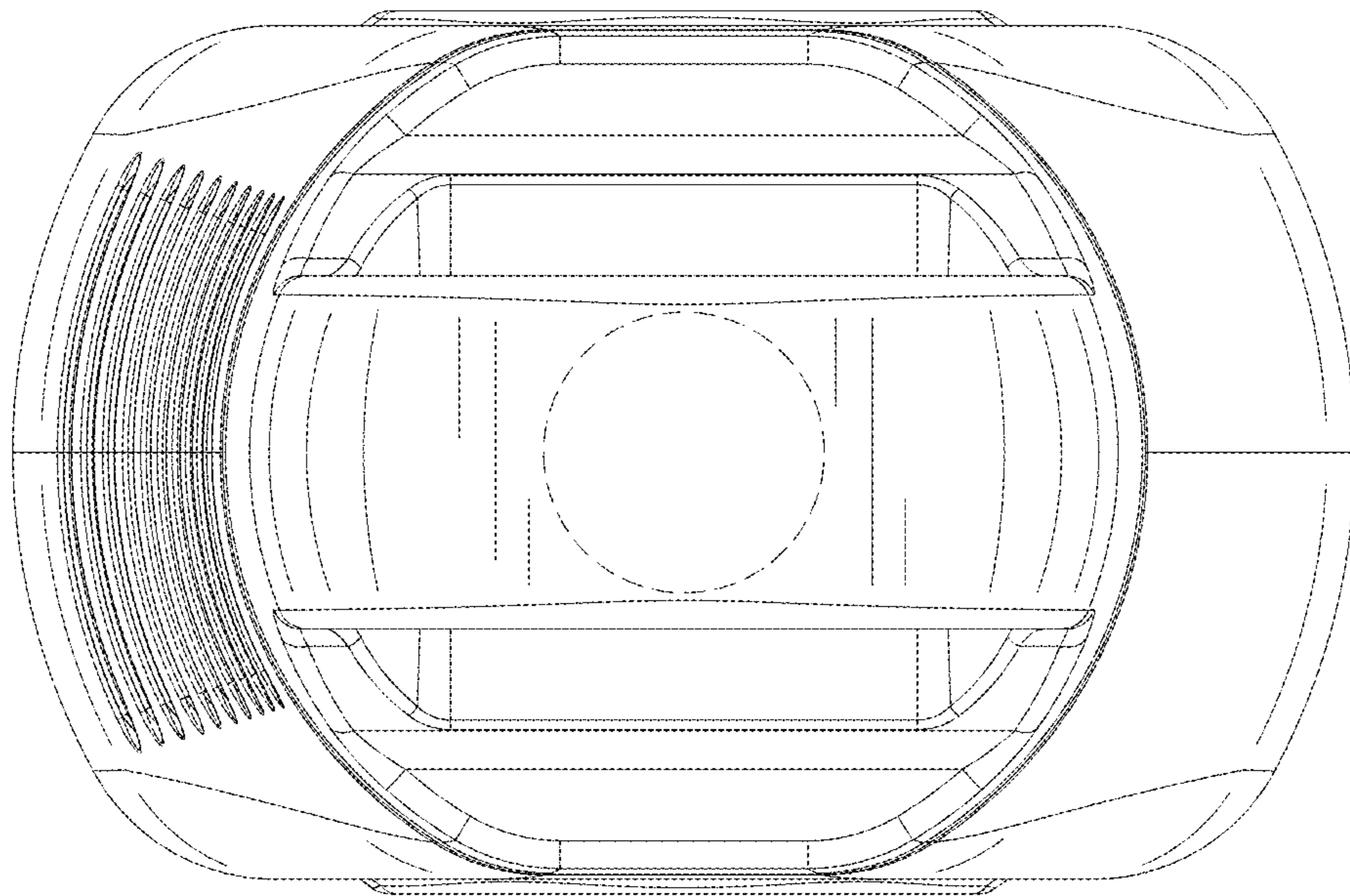


FIG. 7