



US00D915849S

(12) **United States Design Patent**
Hasbrouck

(10) **Patent No.:** **US D915,849 S**
(45) **Date of Patent:** **** Apr. 13, 2021**

(54) **GRIPPING TOOL**

(71) Applicant: **Hunter Hasbrouck**, Graham, WA (US)

(72) Inventor: **Hunter Hasbrouck**, Graham, WA (US)

(**) Term: **15 Years**

(21) Appl. No.: **29/715,542**

(22) Filed: **Dec. 3, 2019**

5,896,886 A	4/1999	Wendt	
6,327,944 B1	12/2001	Liao	
D492,555 S *	7/2004	Tatom	D8/21
D532,266 S *	11/2006	Archuleta	D8/52
7,156,004 B1	1/2007	Whitehead et al.	
D543,812 S	6/2007	Burry et al.	
D558,013 S	12/2007	Sykes, II	
8,347,765 B2 *	1/2013	Chen	B25B 7/04 81/423
D696,565 S	12/2013	Huang	
D704,014 S	5/2014	Hernandez, Jr.	

(Continued)

Related U.S. Application Data

(62) Division of application No. 29/655,655, filed on Jul. 5, 2018, now Pat. No. Des. 871,869.

(51) **LOC (13) Cl.** **08-05**

(52) **U.S. Cl.**
USPC **D8/22; D8/56**

(58) **Field of Classification Search**
USPC D8/14-40, 51-56; 81/125.1, 177.1, 119, 81/124.7, 124.3, 186, 431, 176.15, 461.1, 81/99, 98, 100; 30/193, 252, 254
CPC B25B 13/14; B25B 13/06; B25B 13/04; B25B 13/46; B25B 13/00; B25B 7/02; B25B 13/48; B25B 13/16; B25B 13/505; B25B 13/5058; B25B 23/0007; B25B 13/28; B25B 23/0035; B25B 13/08; B25B 13/02; B25B 13/50; B25B 7/10; B25B 7/14; B25B 5/147; B25B 5/085; B25B 27/00; B25B 23/142; B67B 7/00; B67B 7/18

See application file for complete search history.

(56) **References Cited**

U.S. PATENT DOCUMENTS

1,366,871 A	1/1921	Calkins	
2,990,213 A	6/1961	Kolacinski	
D258,930 S	4/1981	Wahlberg	
4,563,833 A *	1/1986	Aucoin	A01K 97/00 43/4
D371,287 S *	7/1996	Gilbert, Jr.	D8/27
5,531,141 A	7/1996	Gilbert, Jr.	
5,595,094 A	1/1997	Negus	
D405,333 S *	2/1999	Wrigley	D8/52

FOREIGN PATENT DOCUMENTS

CN	301351307	*	4/2010
CN	303028614	*	3/2014

OTHER PUBLICATIONS

Performance Tool , 2" to 5" W54312 Self-Adjust Oil Filter PliersDate first available Apr. 24, 2019, [online]retrieved Apr. 15, 2020 available from internet, https://www.amazon.com/Performance-Tool-W54312-Self-Adjust-Filter/dp/B07R9DJLQC/ref=sr_1_69?dchild=1&keywords=heavy%2Bduty%2Boil%2Bfilt (Year: 2019).*

(Continued)

Primary Examiner — Keli L Hill
Assistant Examiner — Sara S Sahneh
(74) *Attorney, Agent, or Firm* — Goldstein Law Offices, P.C.

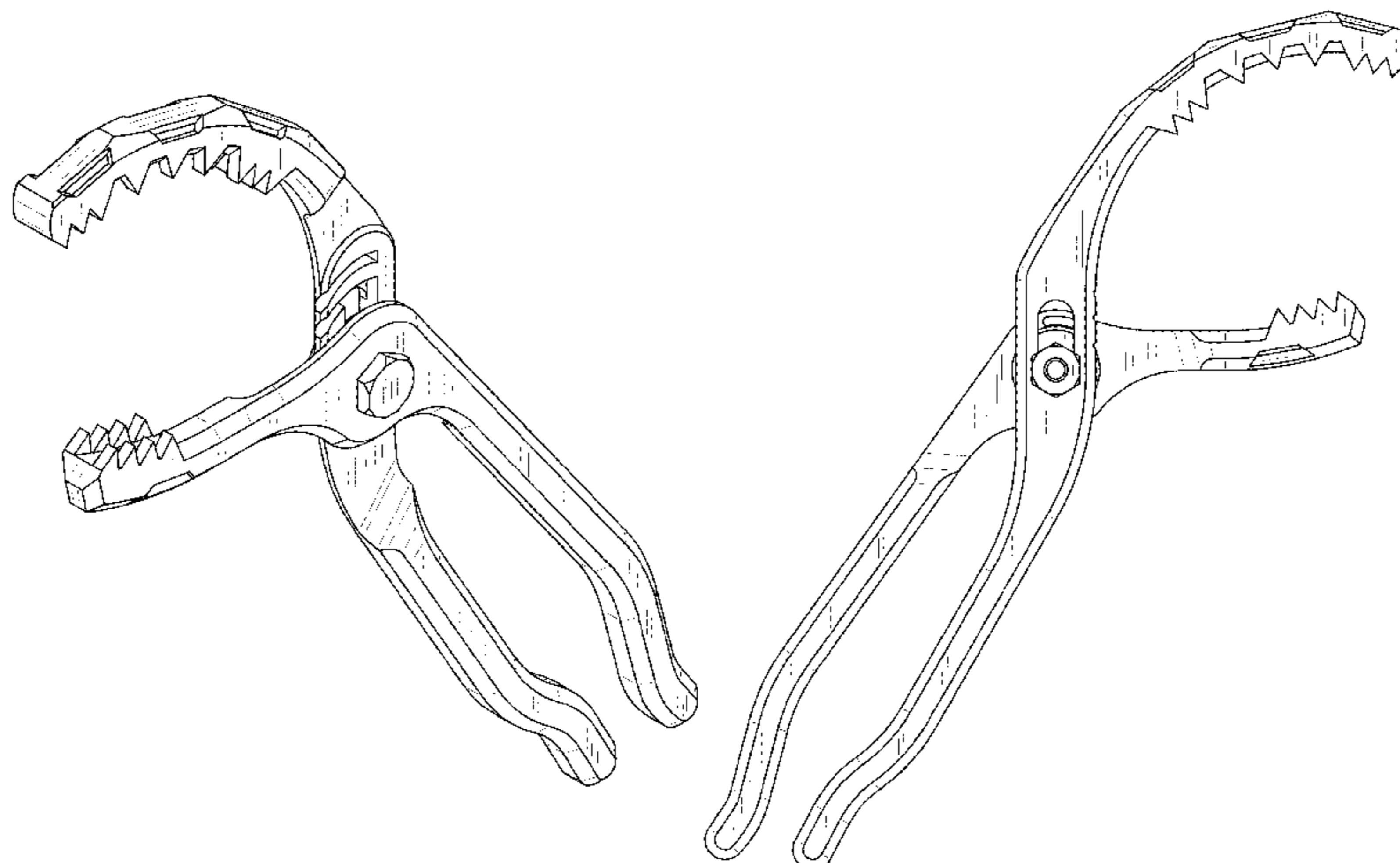
(57) **CLAIM**

The ornamental design for a gripping tool, as shown and described.

DESCRIPTION

FIG. 1 is a perspective view of the gripping tool in full lines. FIG. 2 is a left side elevational view of the gripping tool. FIG. 3 is a right side elevational view thereof. FIG. 4 is a front elevational view thereof. FIG. 5 is a rear elevational view thereof. FIG. 6 is a top plan view thereof; and, FIG. 7 is a bottom plan view thereof.

1 Claim, 5 Drawing Sheets



(56)

References Cited

U.S. PATENT DOCUMENTS

9,475,177 B1 * 10/2016 Lazarov B25B 7/10
D809,374 S * 2/2018 Harrington D8/394
D865,467 S * 11/2019 Tsai D8/52
D871,869 S * 1/2020 Hasbrouck D8/22
D887,238 S * 6/2020 Cooper D8/52
2010/0050826 A1 3/2010 Fan
2018/0141195 A1 * 5/2018 Huang B25B 5/147
2019/0084130 A1 * 3/2019 Buchanan B25B 7/10

OTHER PUBLICATIONS

Bastex Store, 12 inch Oil Filter Wrench Pliers—Long Handle Grip, Date first available Jun. 24, 2016, [online]retrieved Dec. 1, 2020, available from internet, https://www.amazon.com/Bastex-inch-Filter-Wrench-Pliers/dp/B073C1SXZP/ref=psdc_15708821_t5_B07Y1NDKB9 (Year: 2016).*

OEM Tools, Black Green 25324 14 Inch Adjustable Oil Filter Pliers, Date first available Jun. 23, 2017, [online]retrieved Apr. 15, 2020, available from internet, https://www.amazon.com/OEMTOOLS-25324-Adjustable-Filter-Pliers/dp/B0735KTPV4/ref=psdc_15708821_t5_B079Z4D18B (Year: 2017).*

Drake Off Road, 4562 Heavy Duty Oil Filter Plier, Date first available Mar. 2, 2010 [online]retrieved Apr. 15, 2020, available from internet, https://www.amazon.com/OTC-4562-Heavy-Filter-Plier/dp/B00063YKNY/ref=psdc_15708821_t5_B073C1SXZP1/ (Year: 2010).*

* cited by examiner

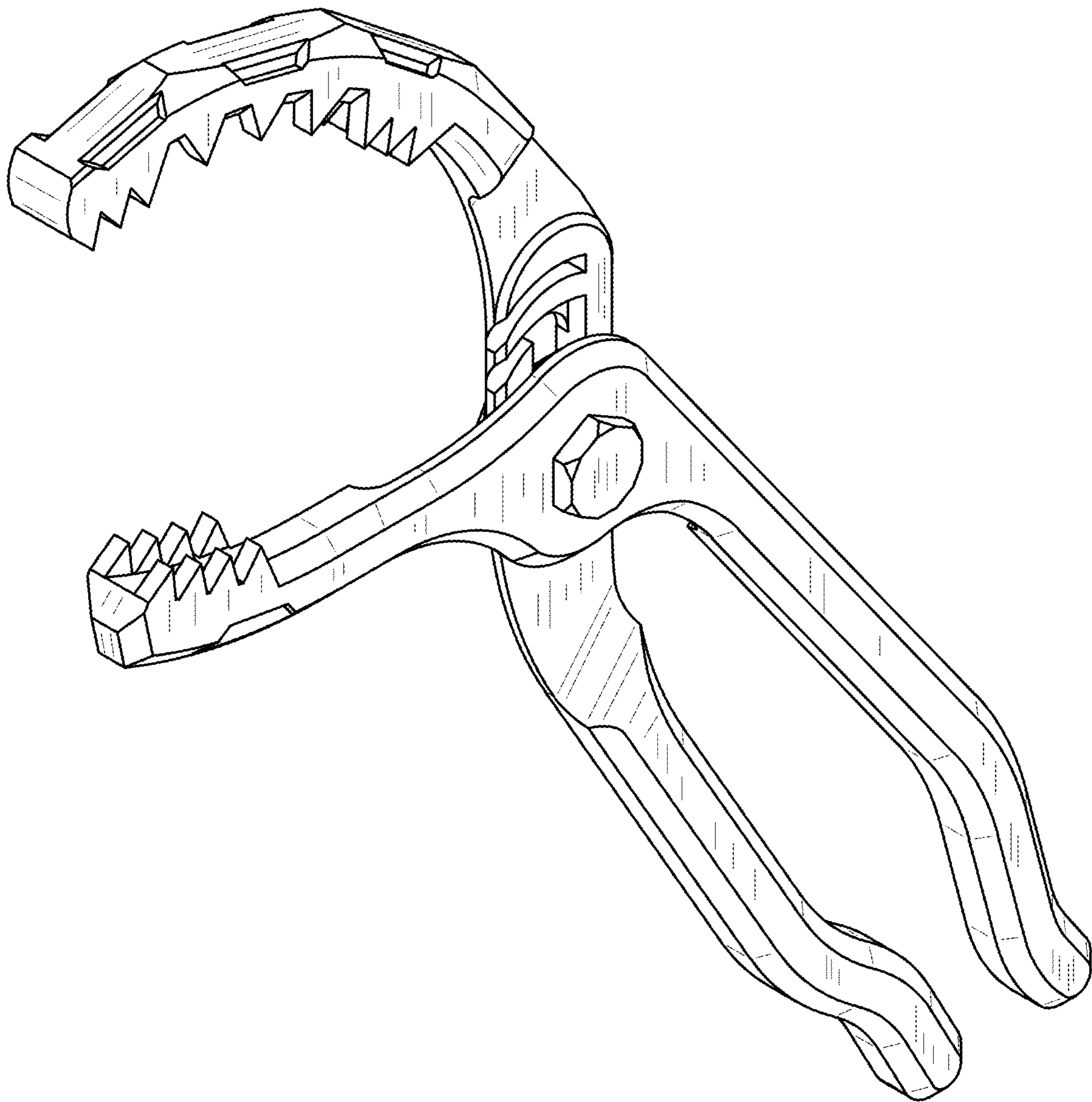


FIG. 1

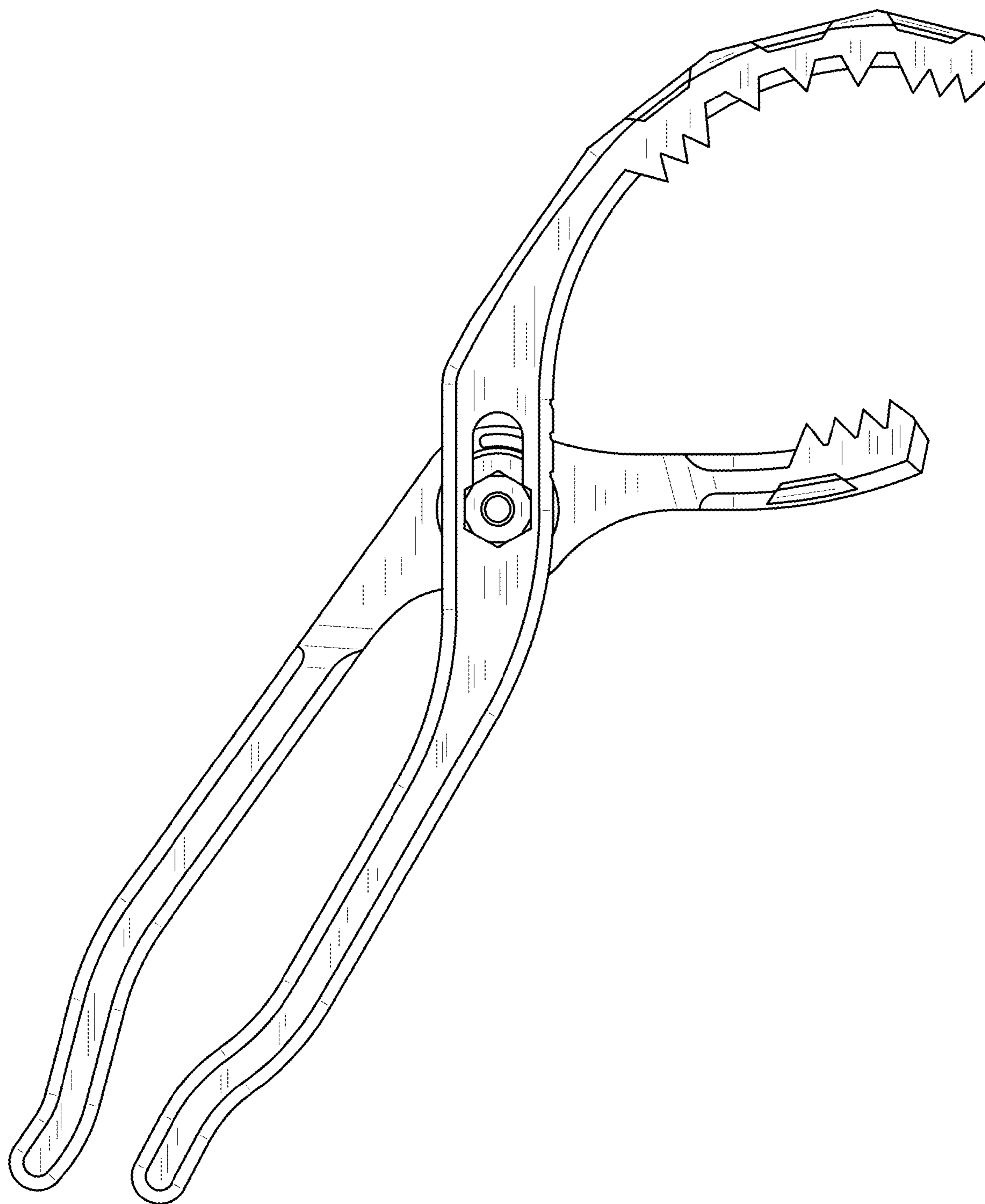


FIG. 2

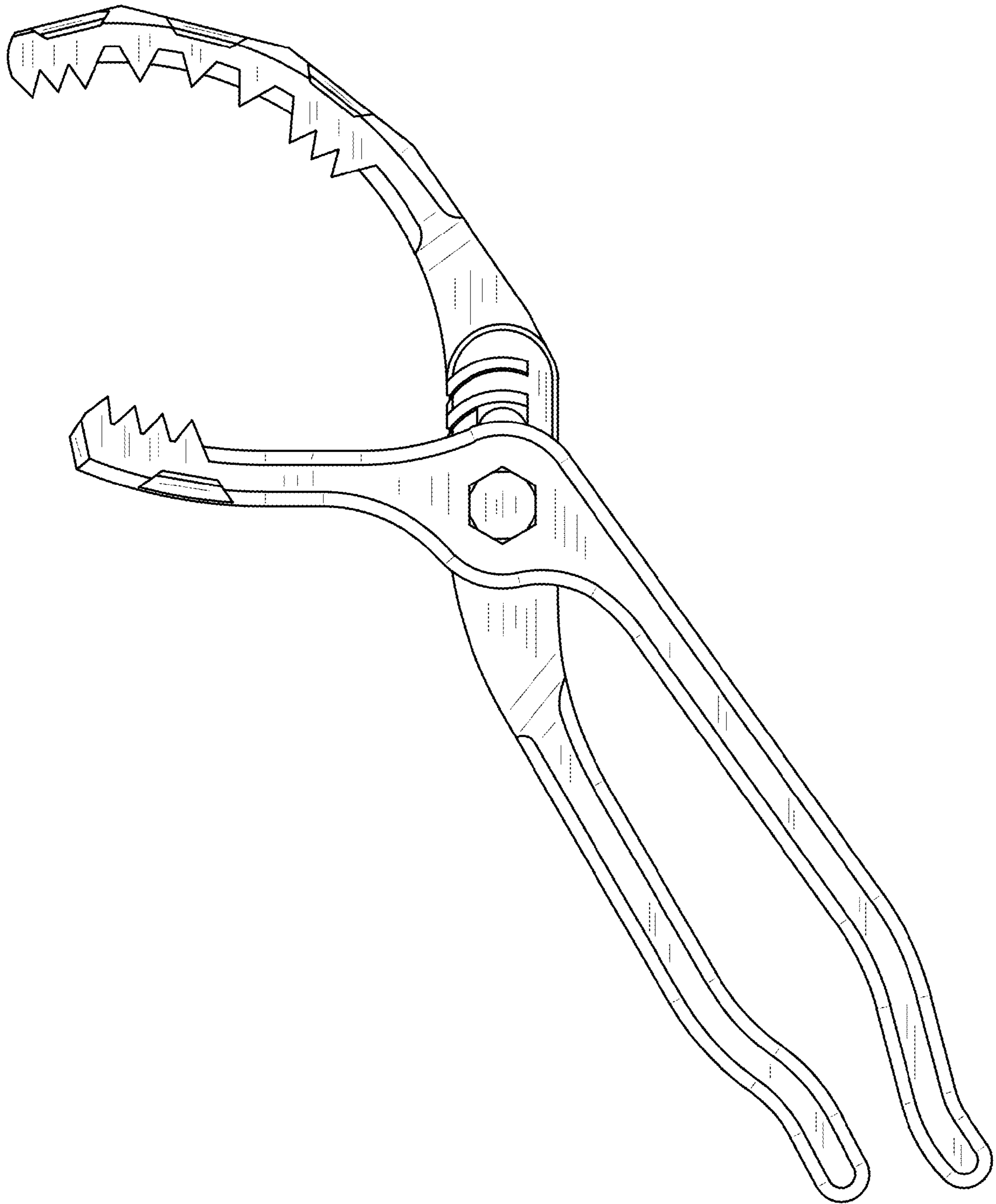


FIG. 3

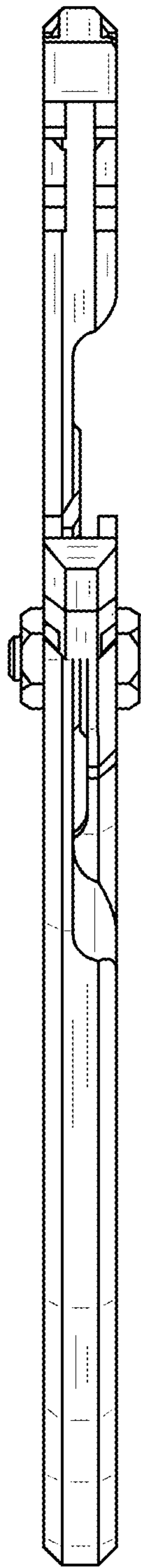


FIG. 4

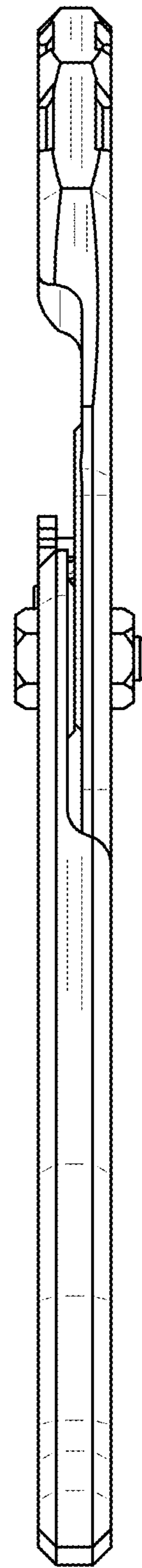


FIG. 5

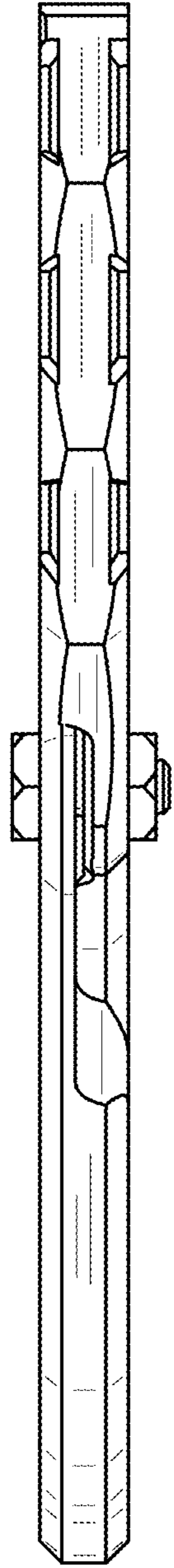


FIG. 6

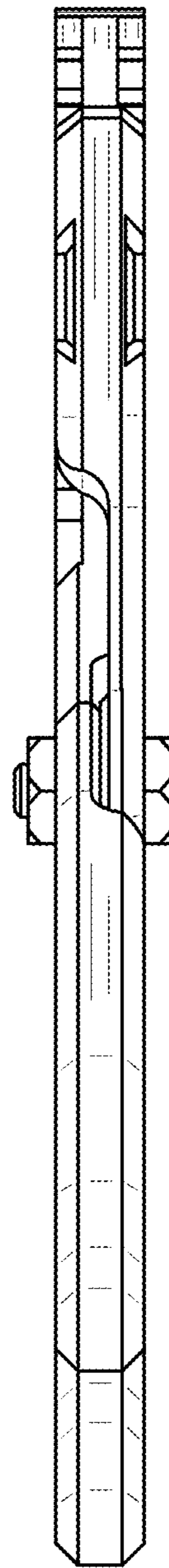


FIG. 7