



US00D915848S

(12) **United States Design Patent** (10) **Patent No.:** **US D915,848 S**  
**Cai** (45) **Date of Patent:** **\*\* Apr. 13, 2021**

(54) **REFITTING TOOL FOR VEHICLE**

(71) Applicant: **Xiao Cai**, Shenzhen (CN)

(72) Inventor: **Xiao Cai**, Shenzhen (CN)

(\*\*) Term: **15 Years**

(21) Appl. No.: **29/718,249**

(22) Filed: **Dec. 23, 2019**

(51) **LOC (13) Cl.** ..... **08-05**

(52) **U.S. Cl.**

USPC ..... **D8/14; D8/89**

(58) **Field of Classification Search**

USPC ..... D8/14, 47, 88, 89, 105

CPC ..... B25C 11/00; B66F 15/00; B25B 27/0035;

B25B 27/0092; Y10T 29/49822; Y10T

29/53835; Y10T 29/53896

See application file for complete search history.

(56) **References Cited**

**U.S. PATENT DOCUMENTS**

D386,057 S \* 11/1997 Hreha ..... D8/89

D506,118 S \* 6/2005 Rau ..... D8/89

7,185,879 B1 \* 3/2007 Lejuez ..... B25C 11/00

254/21

D603,236 S \* 11/2009 Weeks ..... D8/38

D627,617 S \* 11/2010 Chambers ..... D8/89

D627,886 S \* 11/2010 Williamson ..... D24/152

8,955,827 B2 \* 2/2015 Brown ..... B25C 11/00

254/25

D876,921 S \* 3/2020 Allen ..... D8/89

2008/0127473 A1\* 6/2008 Yu ..... B25B 27/0092

29/267

2013/0263382 A1\* 10/2013 Sindt ..... B25C 11/00

7/166

2014/0259605 A1\* 9/2014 Dorsey ..... B25B 27/0035

29/426.5

**OTHER PUBLICATIONS**

Harbor Freight website, Pittsburg Automotive trim tool set, offered for sale since 2010.\*

Amazon.com Tressalto automotive fastener removal tool set. reviewed Dec. 18, 2016.\*

\* cited by examiner

*Primary Examiner* — Philip S Hyder

(74) *Attorney, Agent, or Firm* — W&K IP

(57) **CLAIM**

The ornamental design for a refitting tool for vehicle, as shown and described.

**DESCRIPTION**

FIG. 1 is a front perspective view of a refitting tool for vehicle, showing my new design;

FIG. 2 is a rear perspective view thereof;

FIG. 3 is a front elevational view thereof;

FIG. 4 is a rear elevational view thereof;

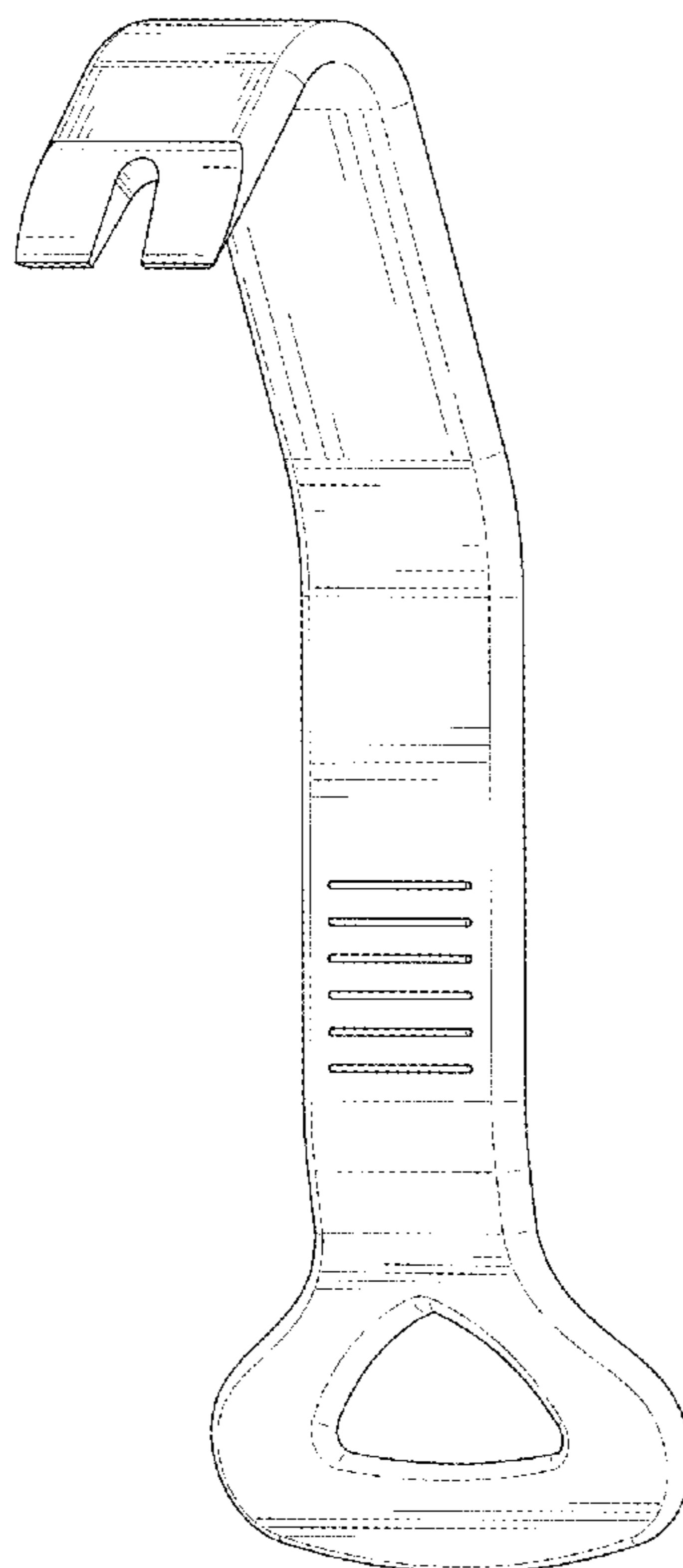
FIG. 5 is a left side devotional view thereof;

FIG. 6 is a right side elevational view thereof;

FIG. 7 is a top plan view thereof; and,

FIG. 8 is a bottom plan view thereof.

**1 Claim, 8 Drawing Sheets**



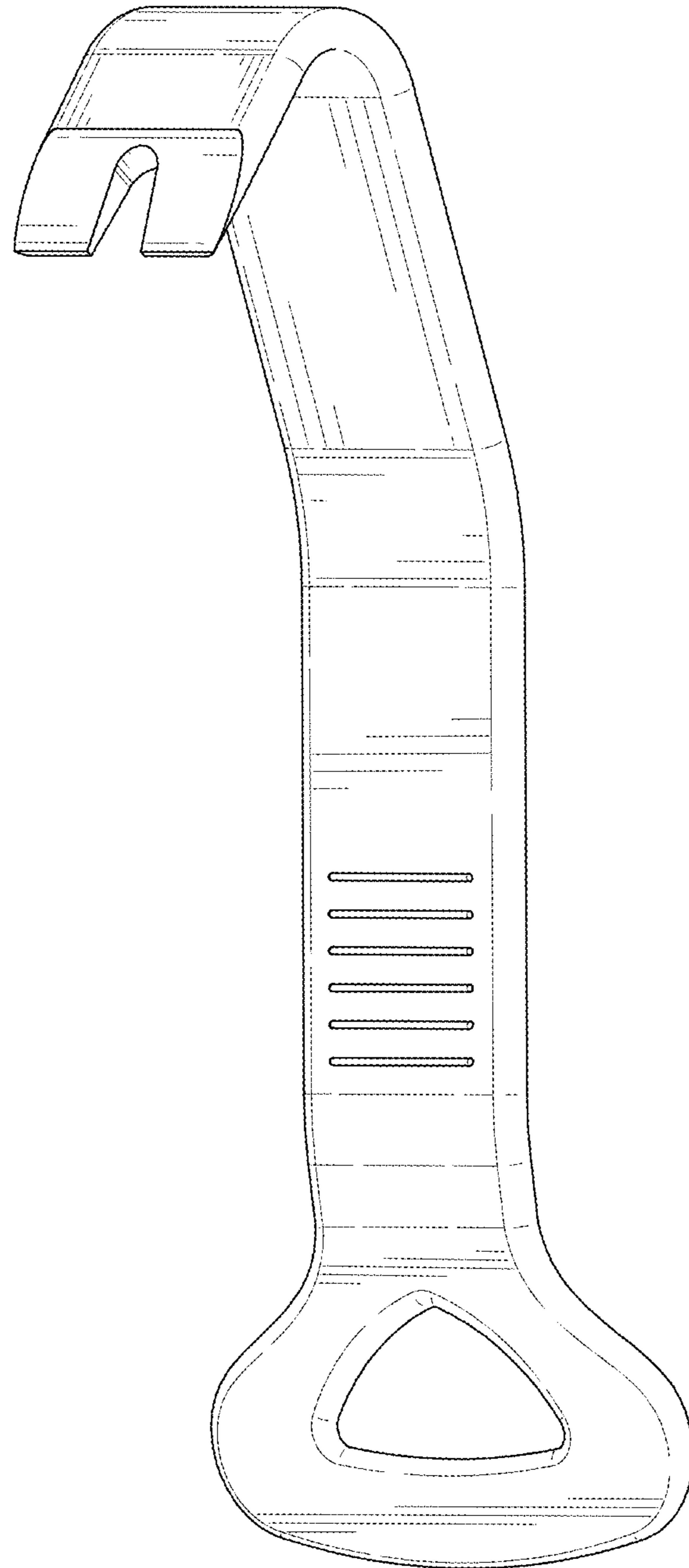


FIG. 1

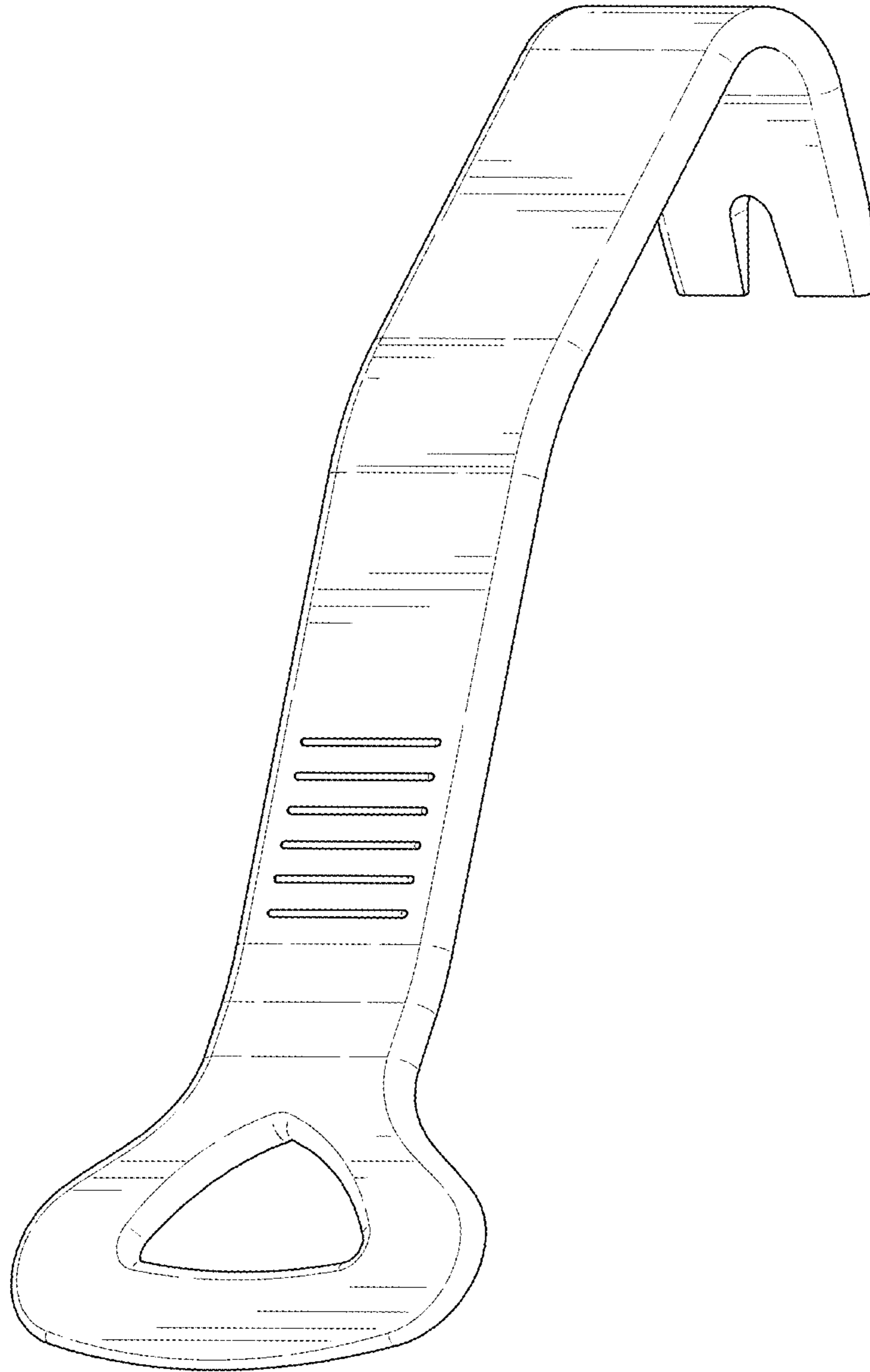


FIG. 2

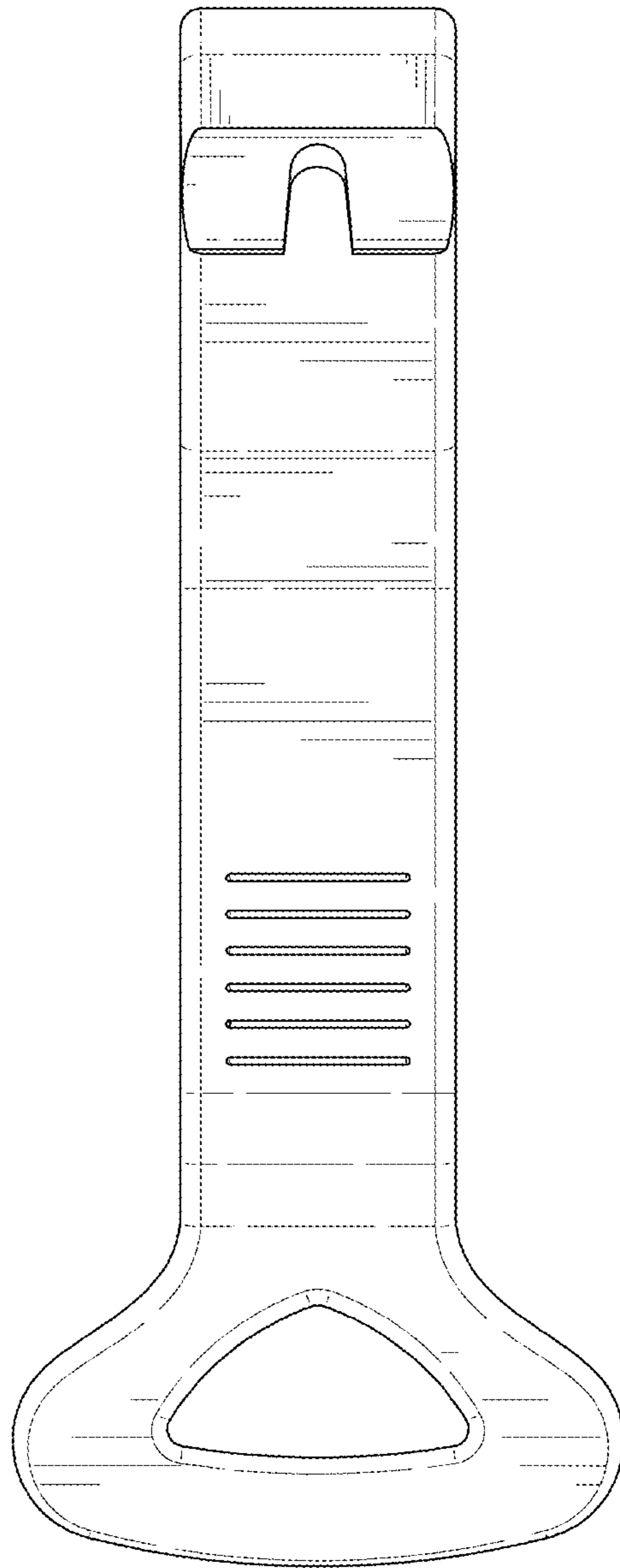


FIG. 3

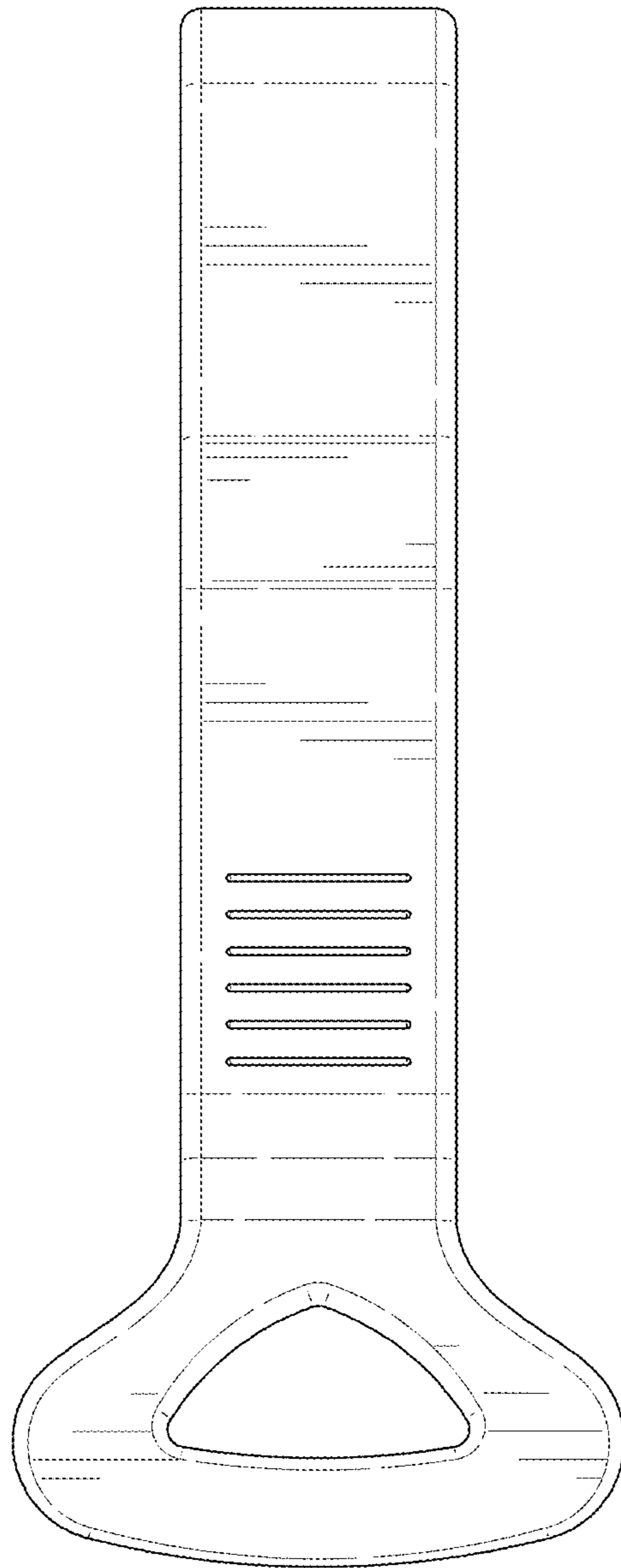


FIG. 4

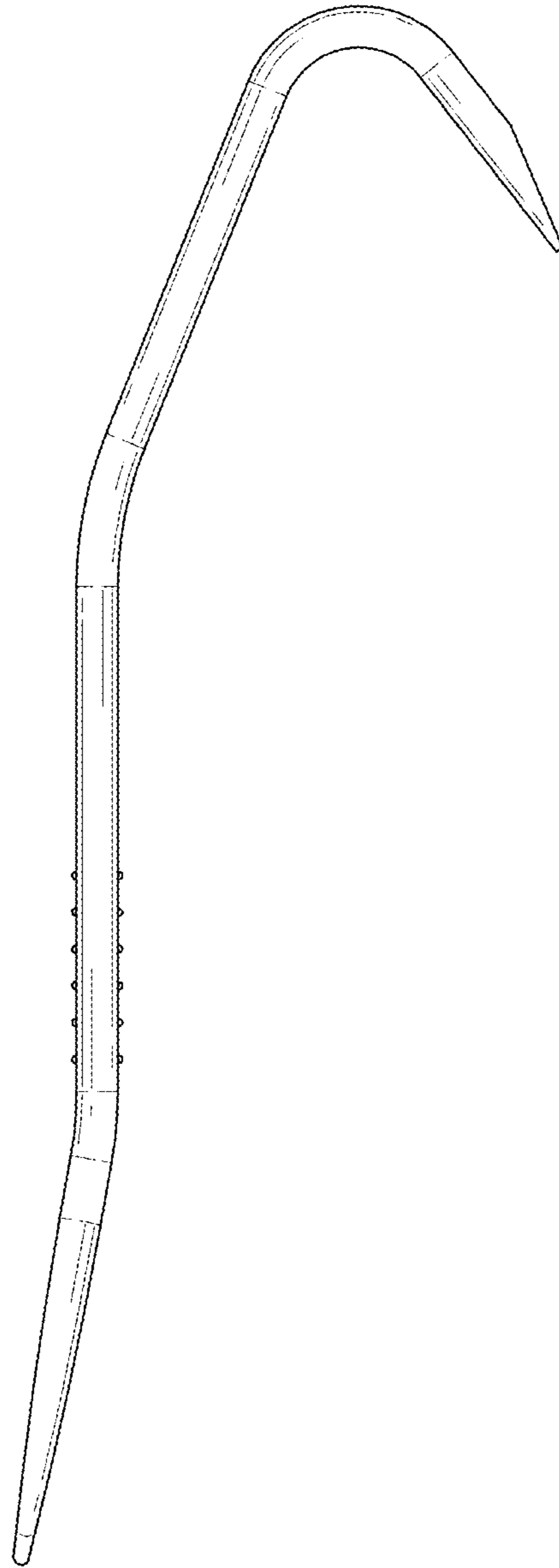


FIG. 5

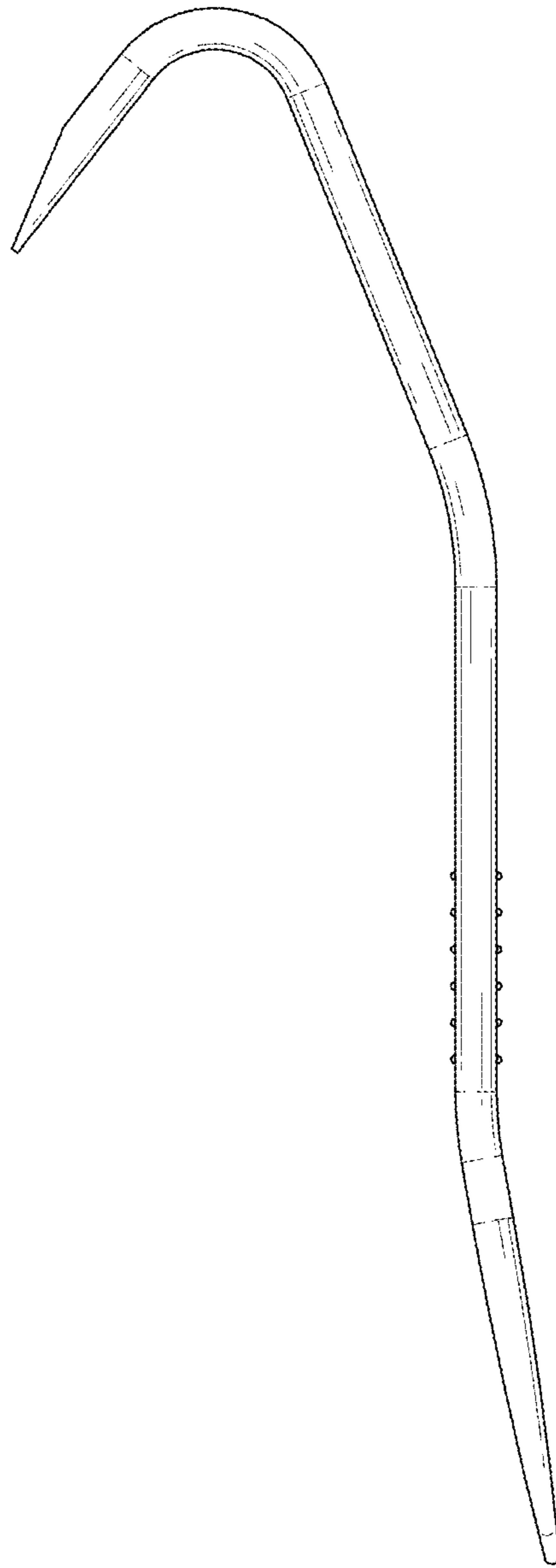


FIG. 6

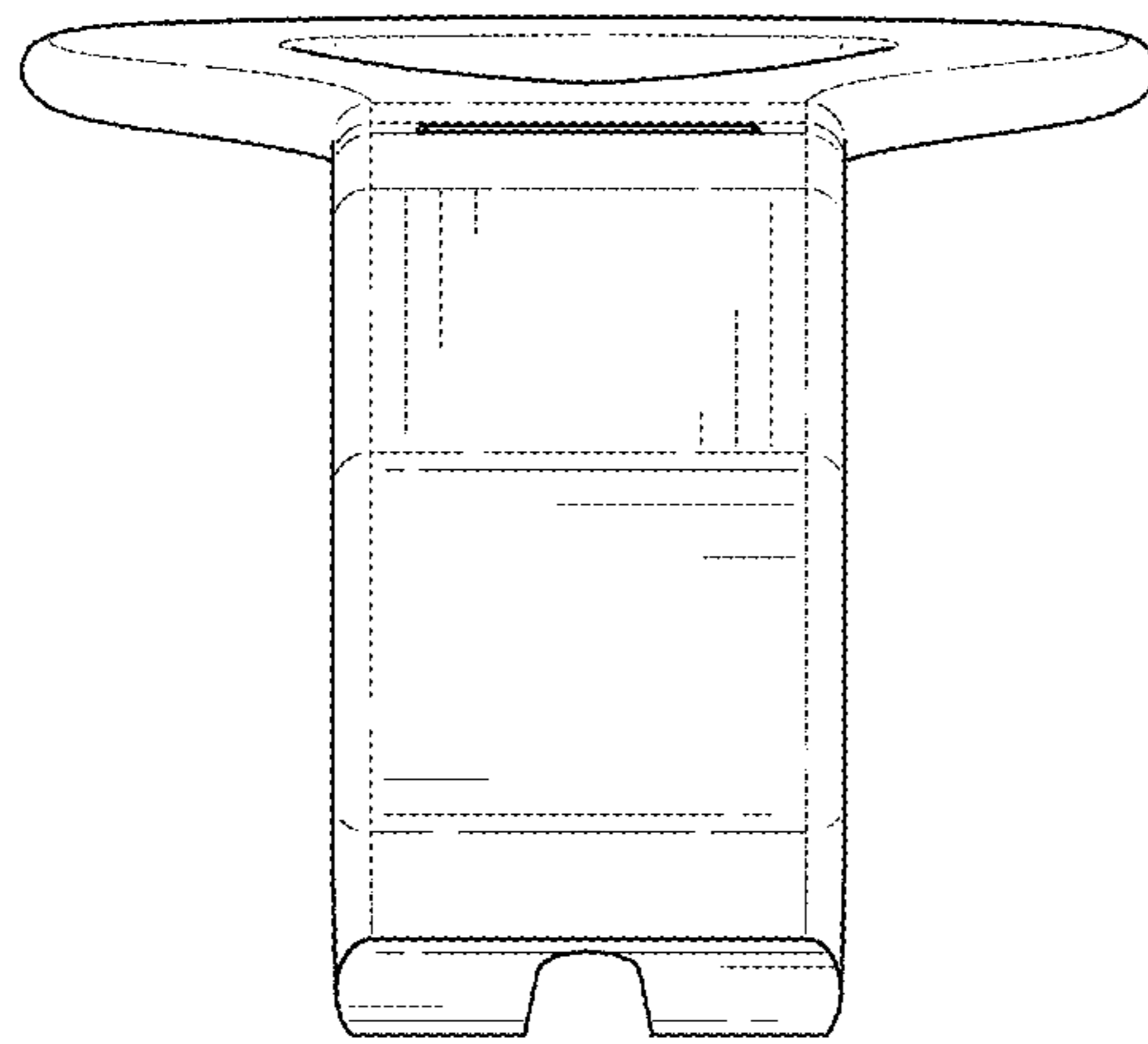


FIG. 7



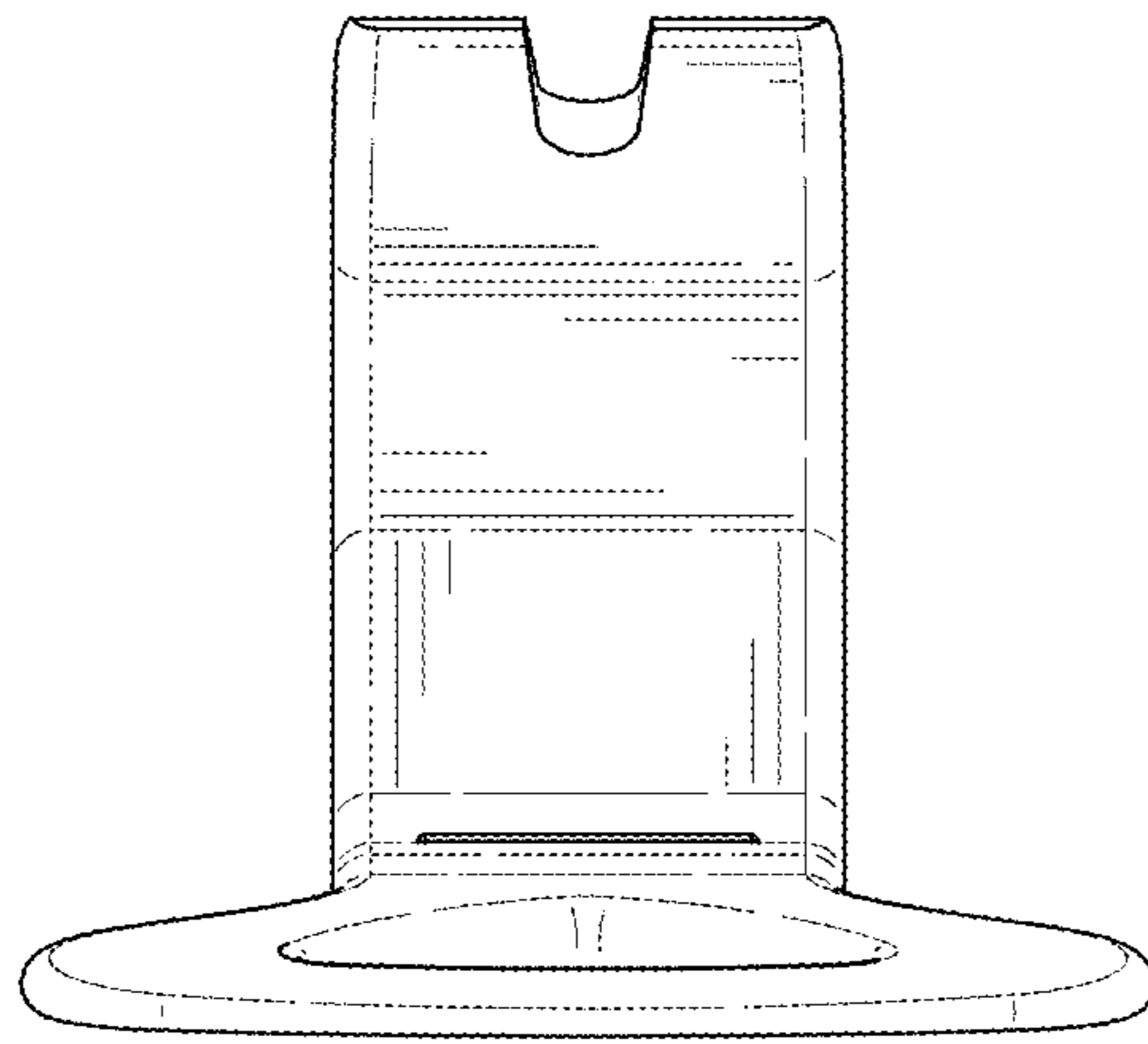


FIG. 8