



US00D915847S

(12) **United States Design Patent** (10) **Patent No.:** **US D915,847 S**
Sevrey (45) **Date of Patent:** **** Apr. 13, 2021**

(54) **HANDHELD SPREADER**

(71) Applicant: **Earthway Products Inc**, Bristol, IN (US)
(72) Inventor: **Richard Sevrey**, Bristol, IN (US)
(73) Assignee: **Earthway Products Inc**, Bristol, IN (US)
(**) Term: **15 Years**

(21) Appl. No.: **29/699,267**
(22) Filed: **Jul. 24, 2019**
(51) **LOC (13) Cl.** **08-01**
(52) **U.S. Cl.**
USPC **D8/2; D15/13**
(58) **Field of Classification Search**
USPC **D8/2; D15/13**
CPC **A01C 15/02; A01C 15/00; A01C 15/04;**
A01C 15/006; A01C 7/00; A01C 7/02;
E01H 10/007; E01C 2019/206; E01C
19/203; E01C 19/205
See application file for complete search history.

(56) **References Cited**

U.S. PATENT DOCUMENTS

3,227,461 A * 1/1966 Love, Jr. A01C 15/02
239/686
4,089,441 A * 5/1978 Cole A01C 15/02
222/631
4,140,280 A * 2/1979 Allen A01C 15/02
239/654
4,473,184 A * 9/1984 Martin A01C 3/063
239/662
D296,789 S * 7/1988 Larsson D15/13
5,123,598 A * 6/1992 Courtney A01C 15/02
222/473
D327,823 S * 7/1992 Demarest D15/13
D333,951 S * 3/1993 Courtney D8/2

(Continued)

OTHER PUBLICATIONS

Scotts® Whirl™ Hand-Powered Spreader; The Scotts Company LLC, 2002-2019; <https://www.scotts.com/en-us/products/spreaders/scotts-whirl-hand-powered-spreeder?bvstate=pg:3/ct:r>; 9 pages.
(Continued)

Primary Examiner — Mark A Goodwin
(74) *Attorney, Agent, or Firm* — Hovey Williams LLP; Kameron D. Kelly

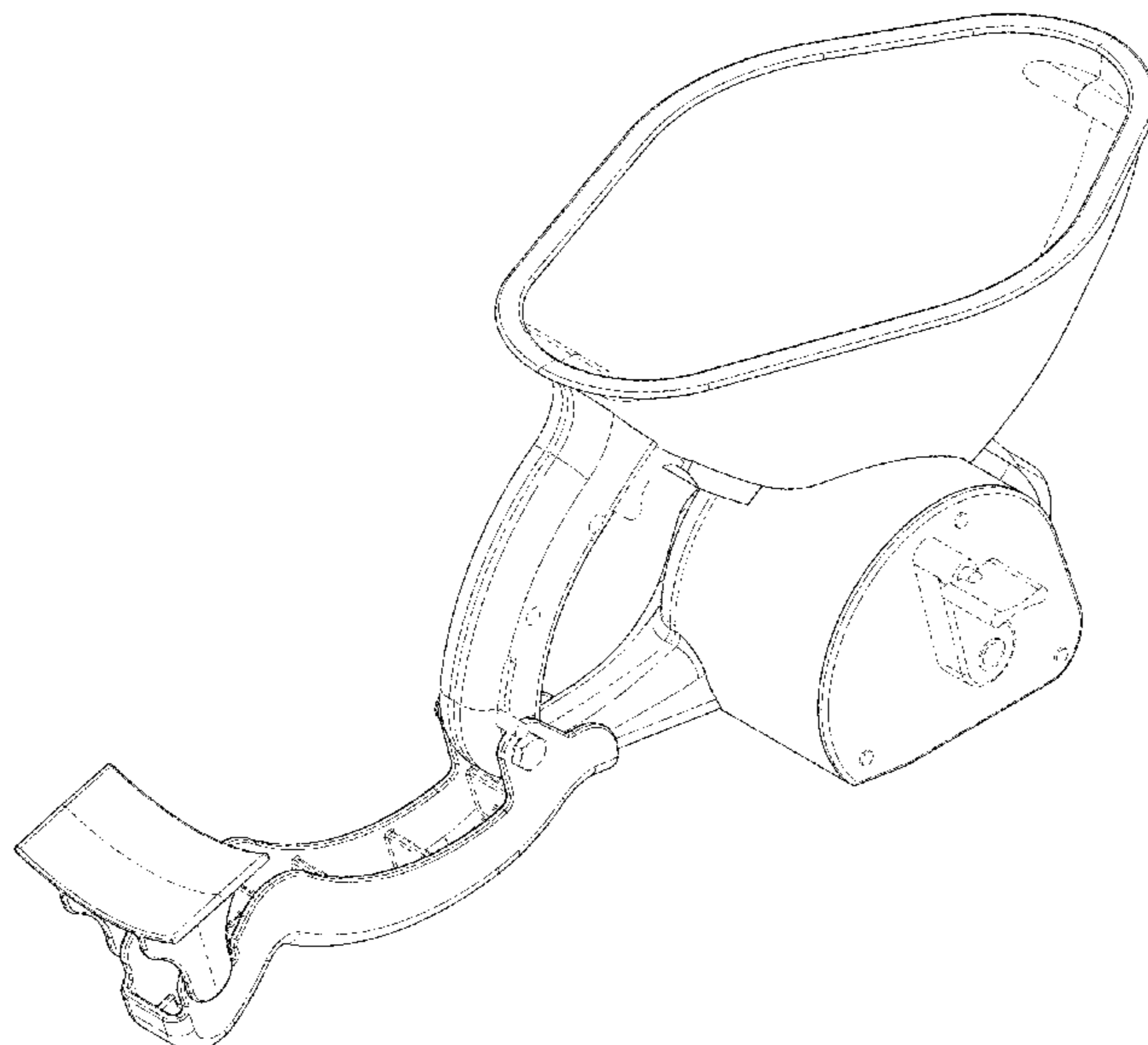
(57) **CLAIM**

The ornamental design for a handheld spreader, as shown and described.

DESCRIPTION

FIG. 1 is a top, left, rear perspective view of a handheld spreader with an extendable handle thereof in a first state according to our new design;
FIG. 2 is a top, right, front perspective view thereof;
FIG. 3 is a left side elevation view thereof;
FIG. 4 is a right side elevation view thereof;
FIG. 5 is a front elevation view thereof;
FIG. 6 is a rear elevation view of thereof;
FIG. 7 is a top plan view thereof;
FIG. 8 is a bottom plan view thereof;
FIG. 9 is a top, left, rear perspective view thereof showing the extendable handle in a second state;
FIG. 10 is a top, right, front perspective view thereof;
FIG. 11 is a left side elevation view thereof;
FIG. 12 is a right side elevation view thereof;
FIG. 13 is a front elevation view thereof;
FIG. 14 is a rear elevation view of thereof;
FIG. 15 is a top plan view thereof; and,
FIG. 16 is a bottom plan view thereof.
The broken lines showing the remainder of the handheld spreader are for environmental purposes only and form no part of the claimed design.

1 Claim, 14 Drawing Sheets



(56)

References Cited

U.S. PATENT DOCUMENTS

5,285,971 A * 2/1994 Havlovitz A01C 15/02
 222/43
 D387,638 S * 12/1997 DeLaby D8/2
 D388,440 S * 12/1997 Bentley D15/13
 D534,044 S * 12/2006 Zak D8/2
 7,281,675 B2 * 10/2007 Elrod B05B 3/087
 239/663
 7,328,861 B2 * 2/2008 Sagol A01C 15/02
 222/333
 8,272,584 B2 * 9/2012 Barnett E01H 10/007
 239/687
 D796,922 S * 9/2017 Hsu D8/2
 D823,655 S * 7/2018 Dubiel D8/2
 D855,421 S * 8/2019 Hsu D8/2
 10,595,458 B2 * 3/2020 Hsu E01H 10/007
 D893,270 S * 8/2020 Hsu D8/2
 2006/0016918 A1 * 1/2006 Sagol E01C 19/203
 239/653
 2017/0049042 A1 * 2/2017 Hsu E01H 10/007

OTHER PUBLICATIONS

Scotts® Handy Green® II Hand-Held Broadcast Spreader; The Scotts Company LLC; <https://www.scotts.com/en-us/products/spreaders/scotts-handy-green-ii-hand-held-broadcast-spreader>; 8 pages.
 Vigoro, 1,000 sq. ft. Hand Spreader; Internet #302738555, Model # 690101; <https://www.homedepot.com/p/Vigoro-1-000-sq-ft-Hand-Spreader-690101/302738555>; 9 pages.

* cited by examiner

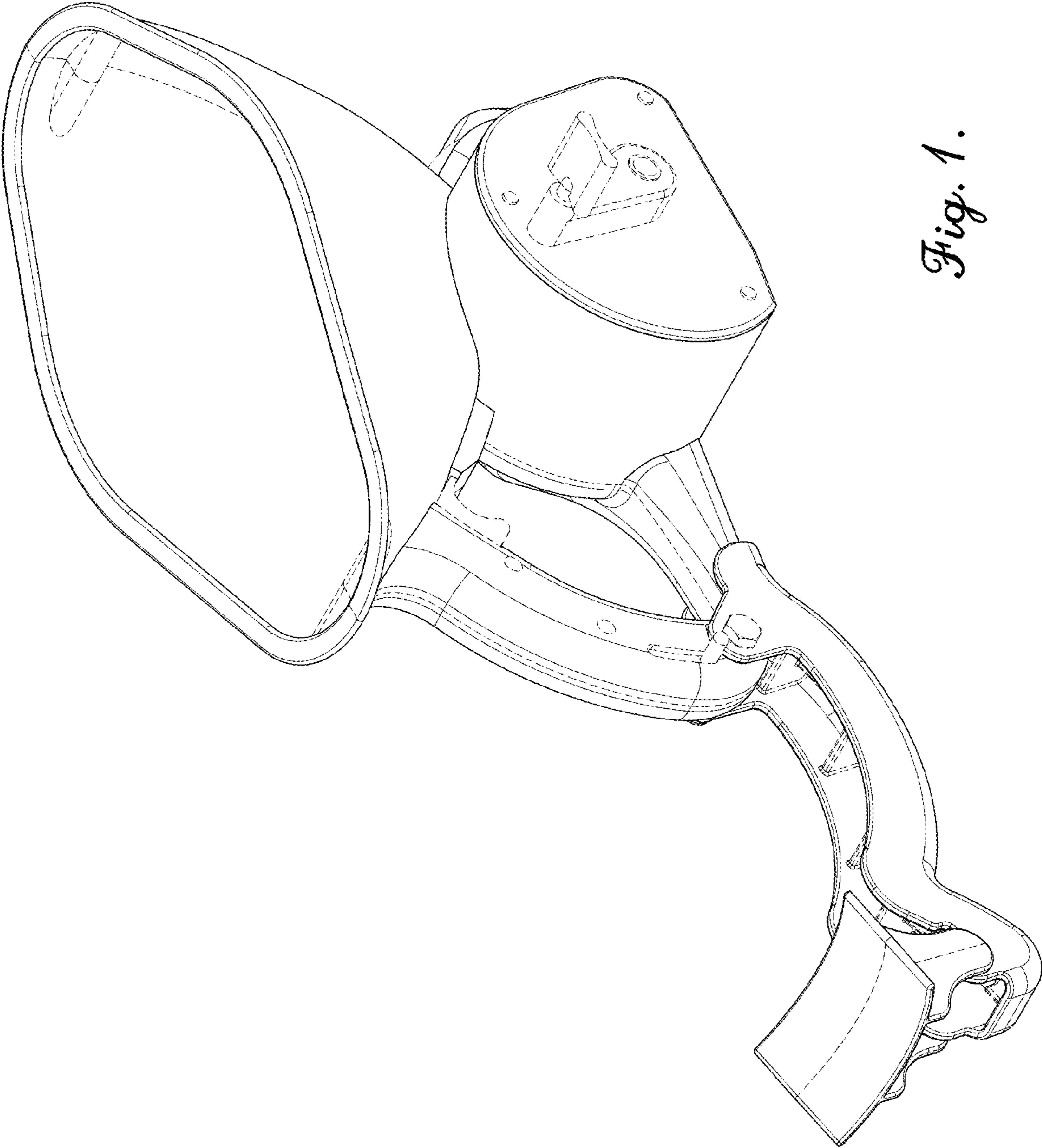


Fig. 1.

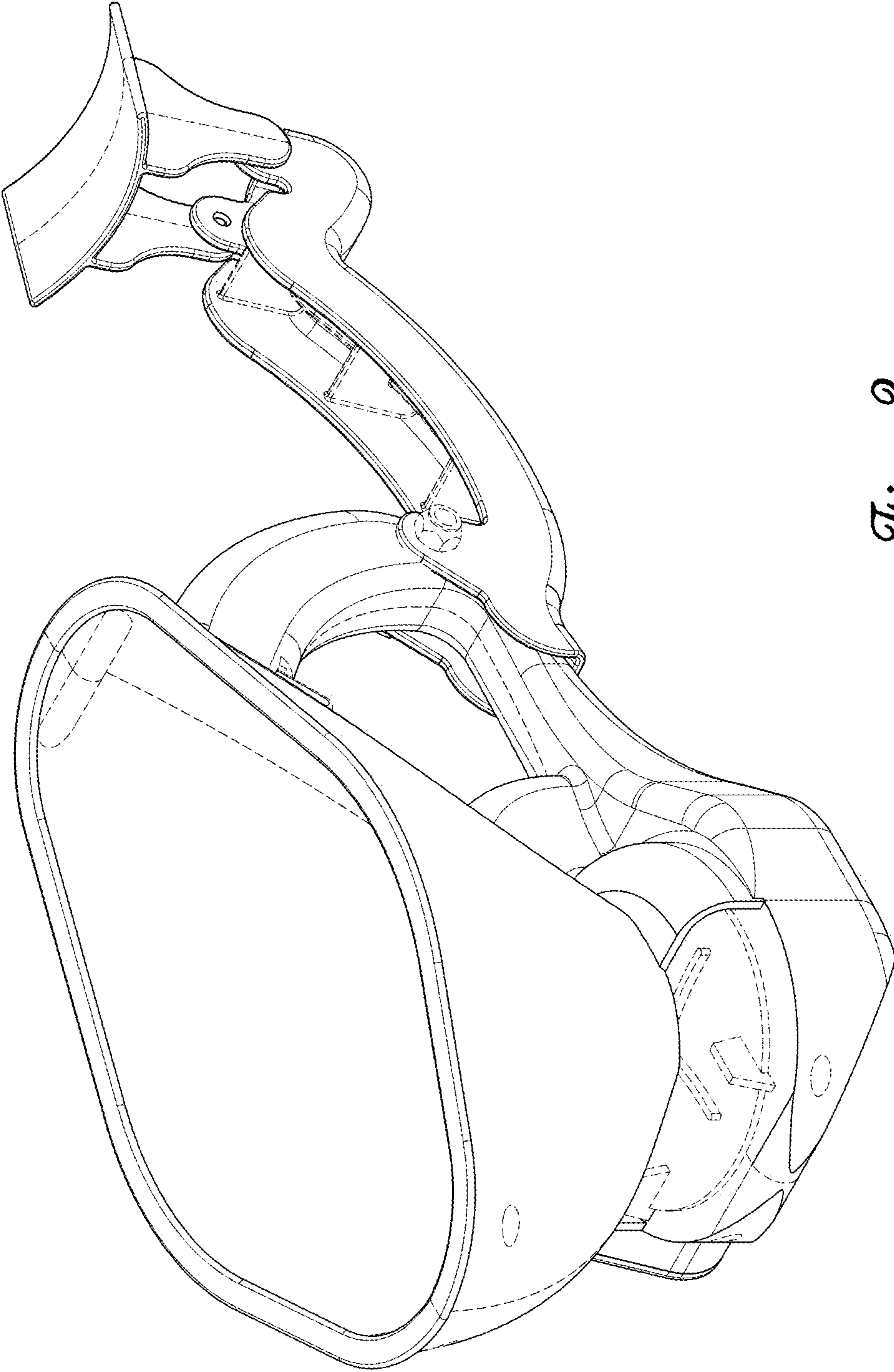


Fig. 2.

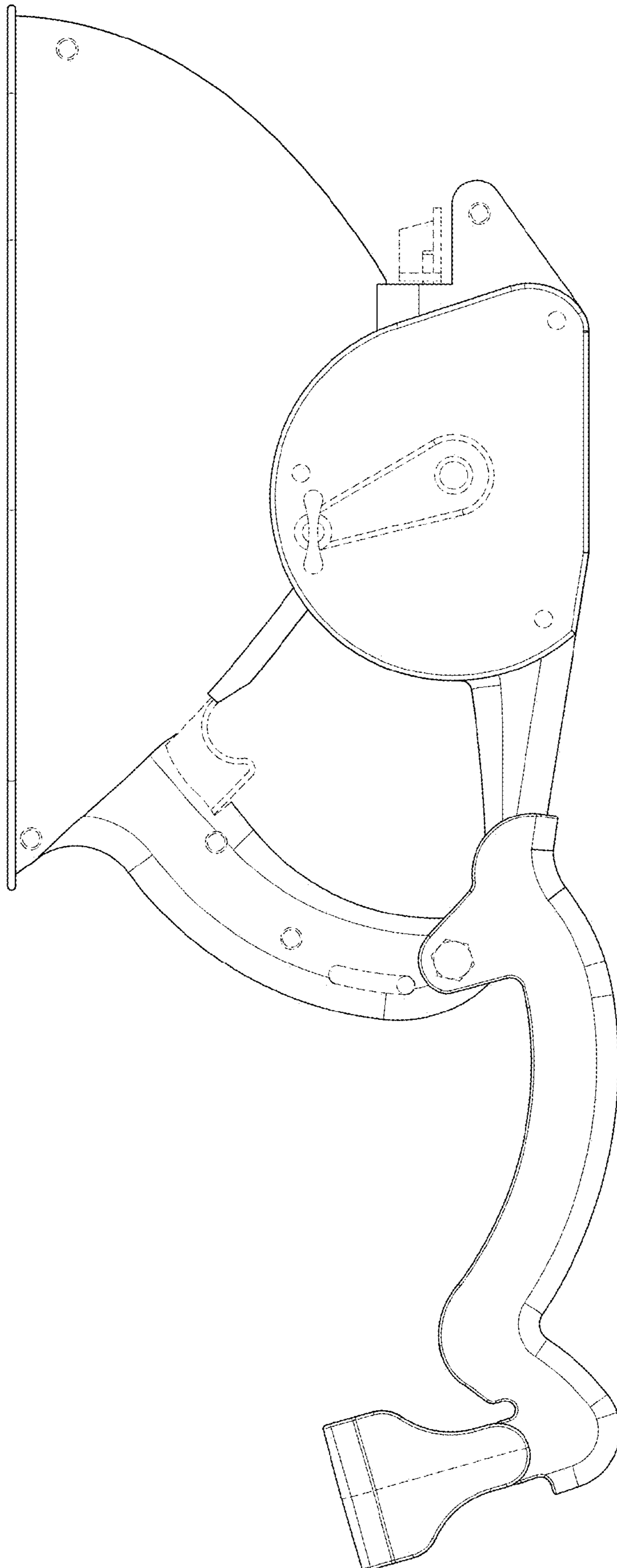


Fig. 3.

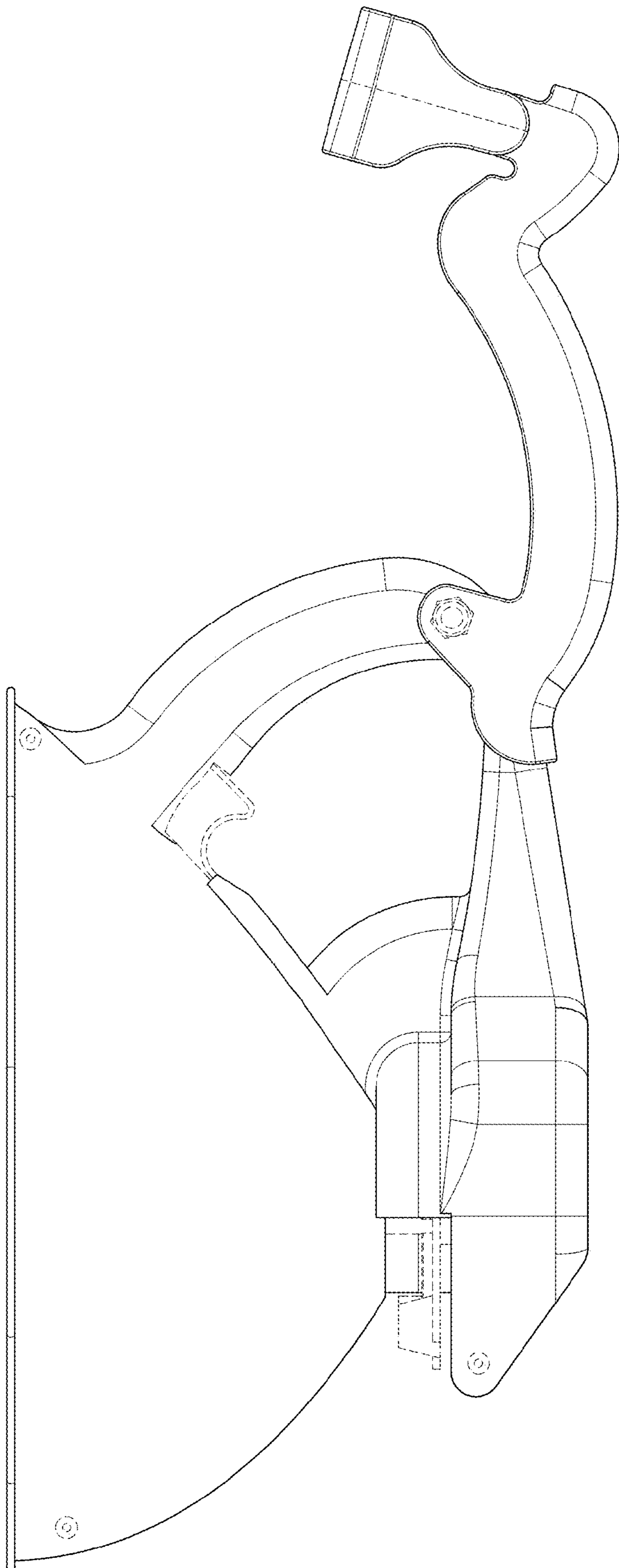


Fig. 4.

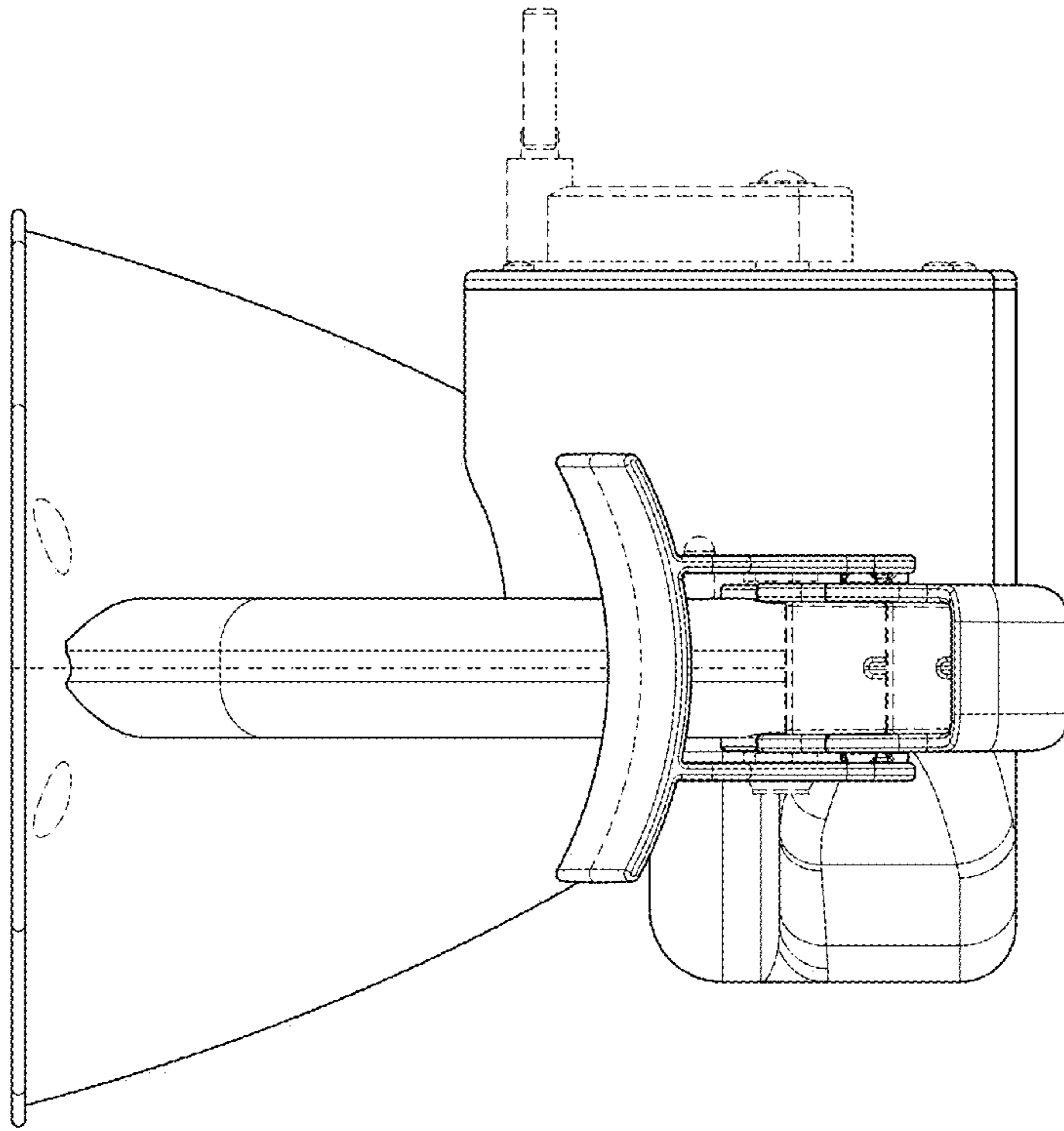


Fig. 6.

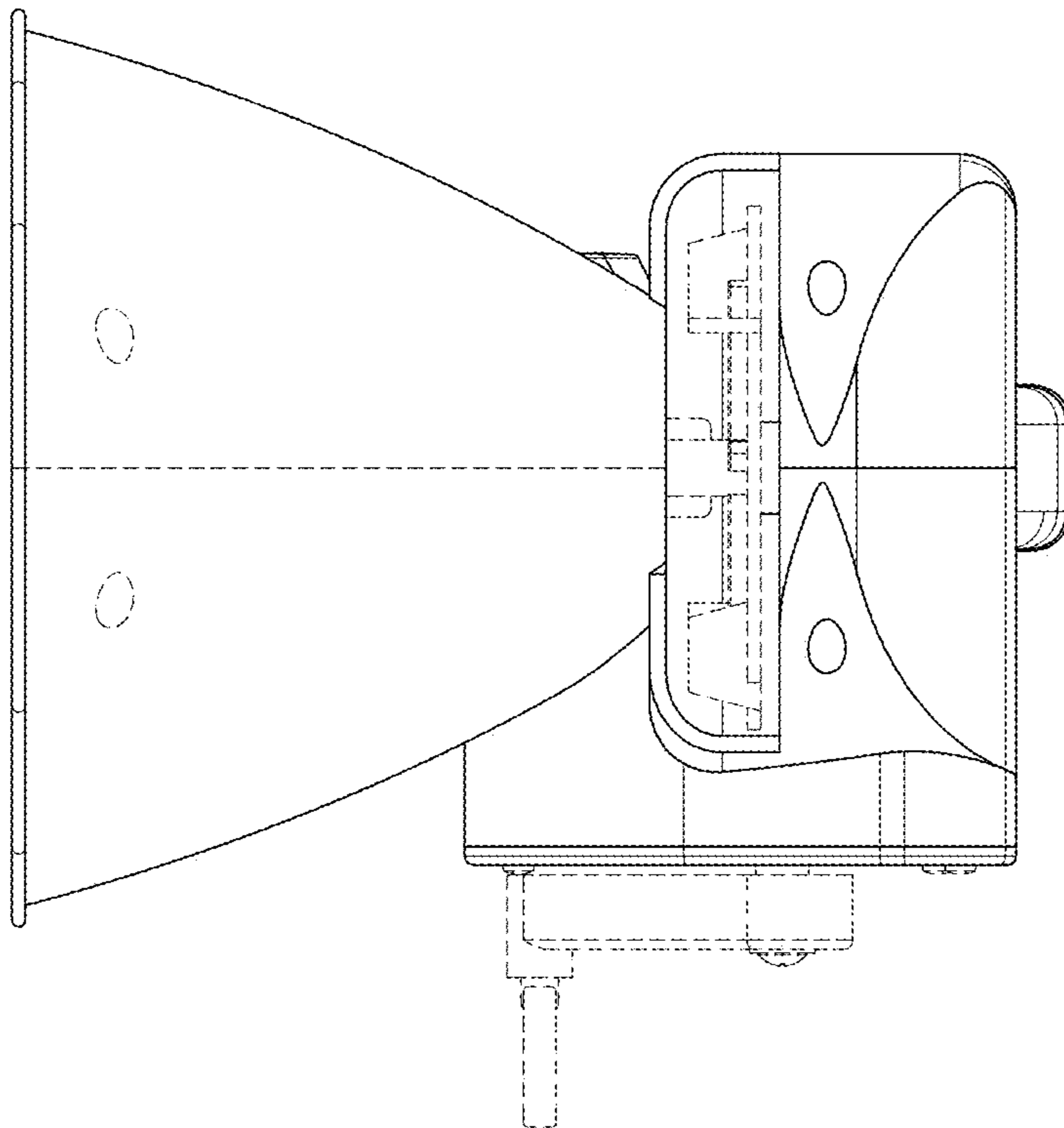


Fig. 5.

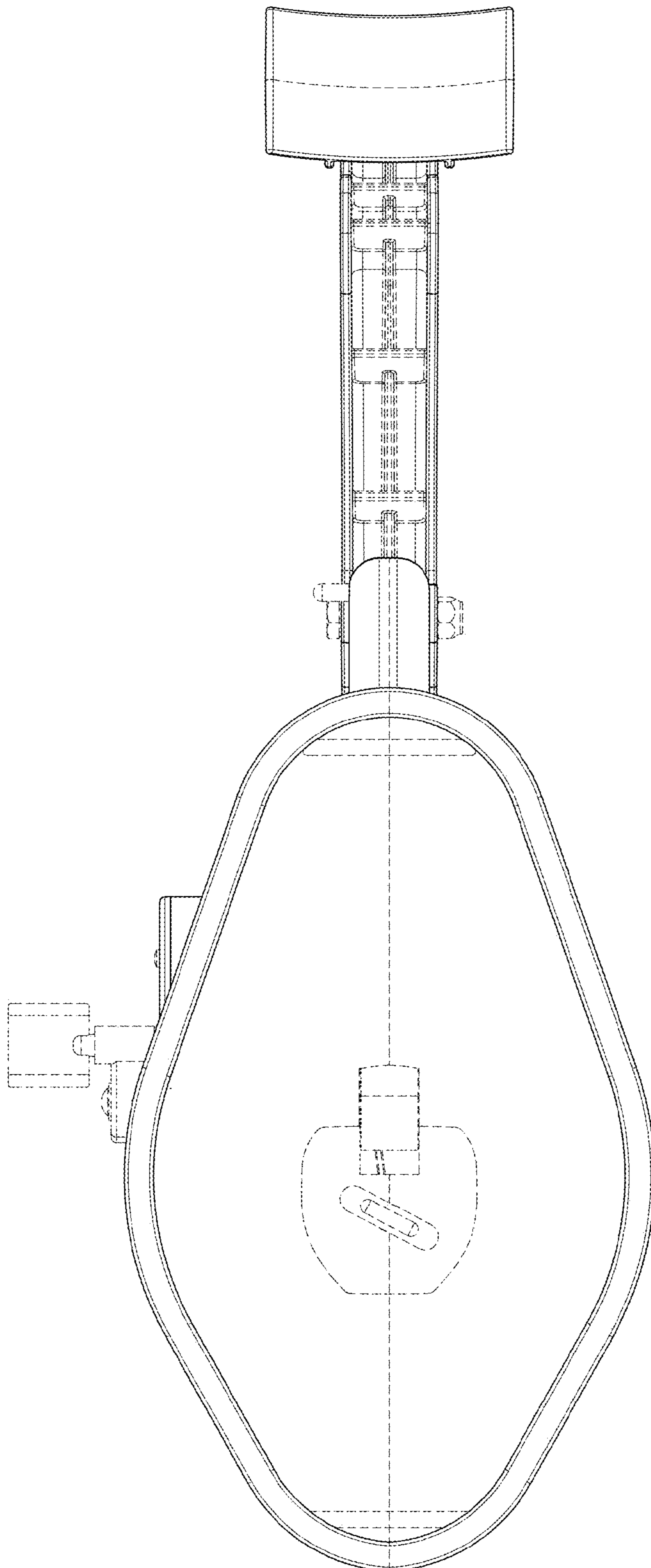


Fig. 7.

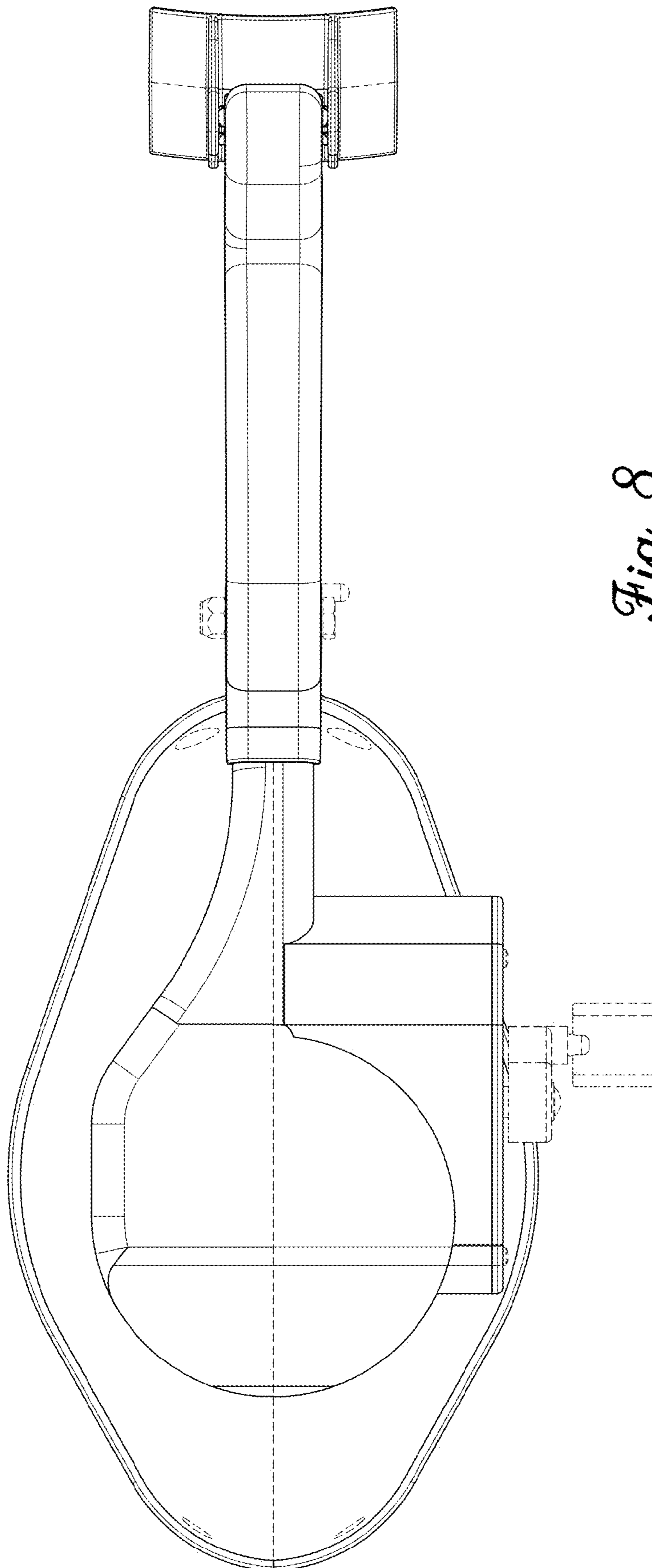


Fig. 8.

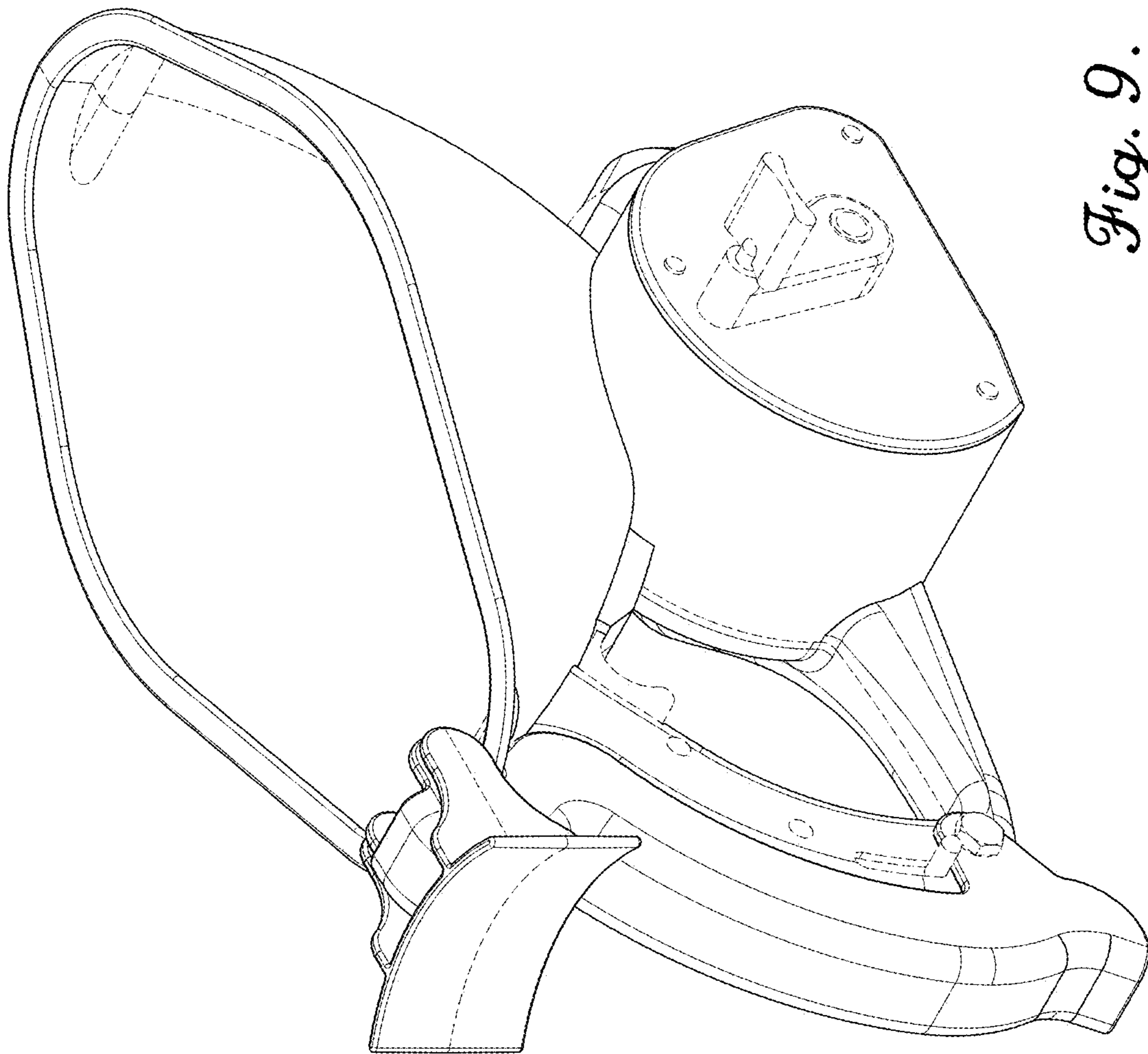


Fig. 9.

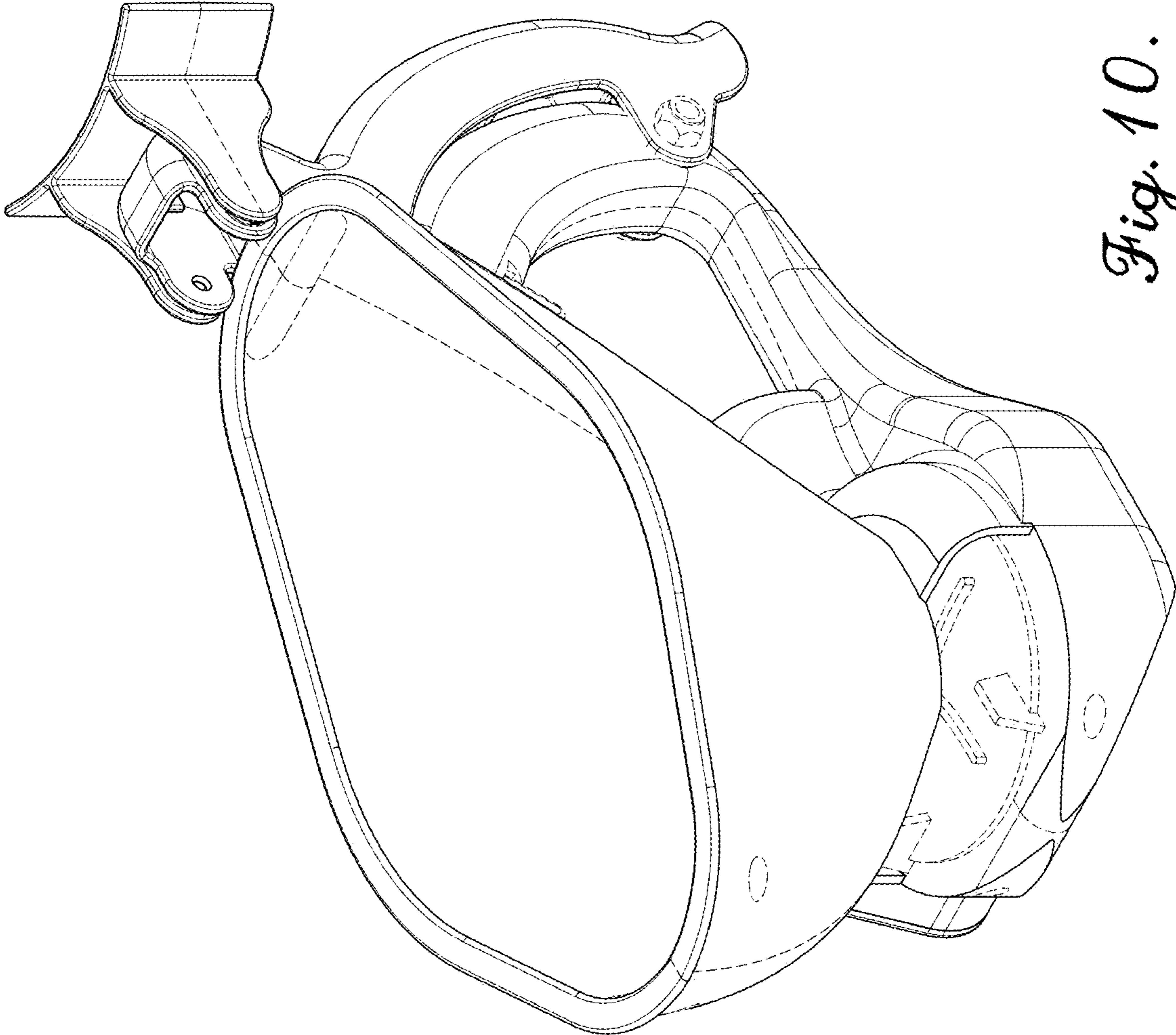


Fig. 10.

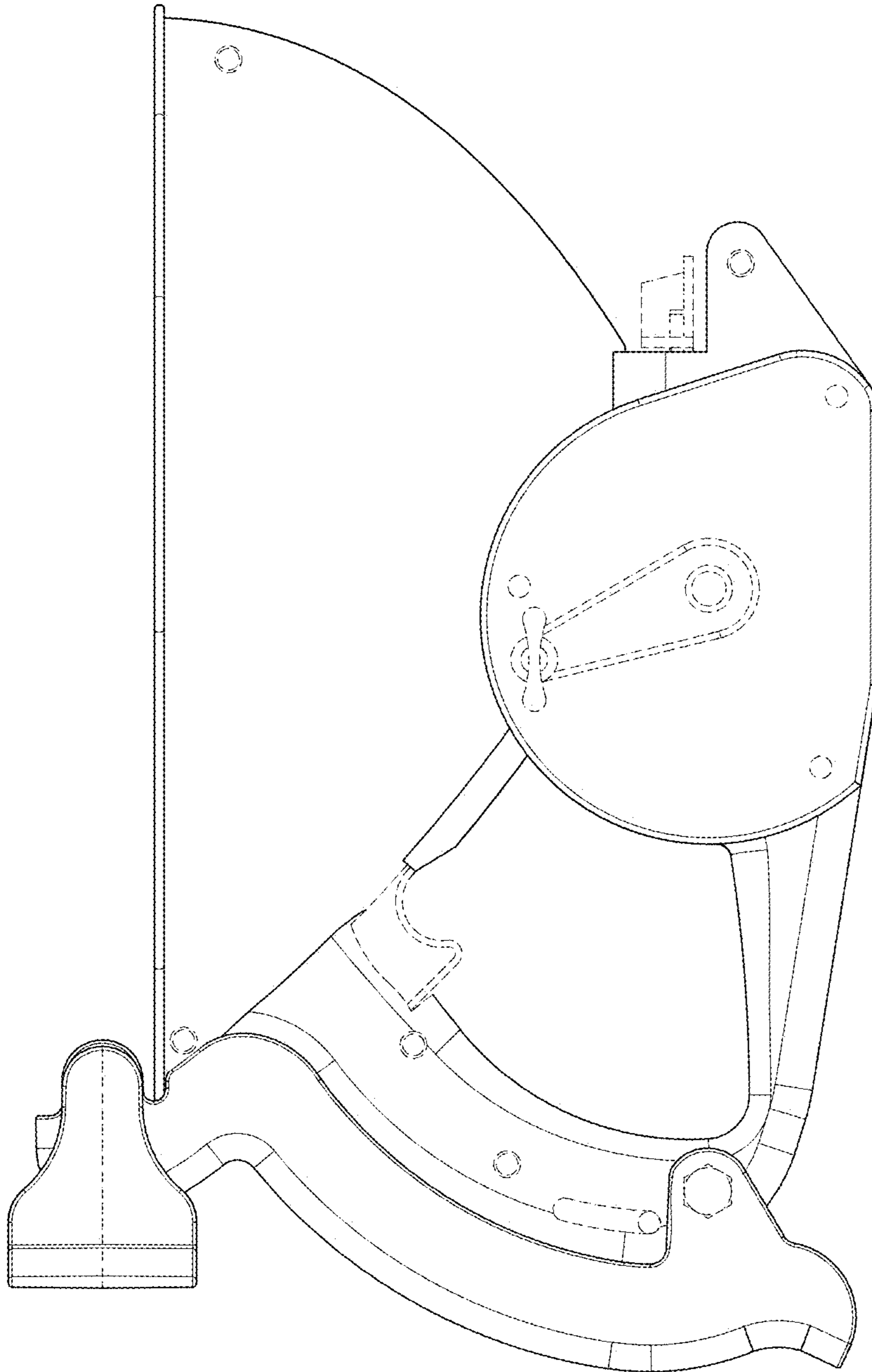


Fig. 11.

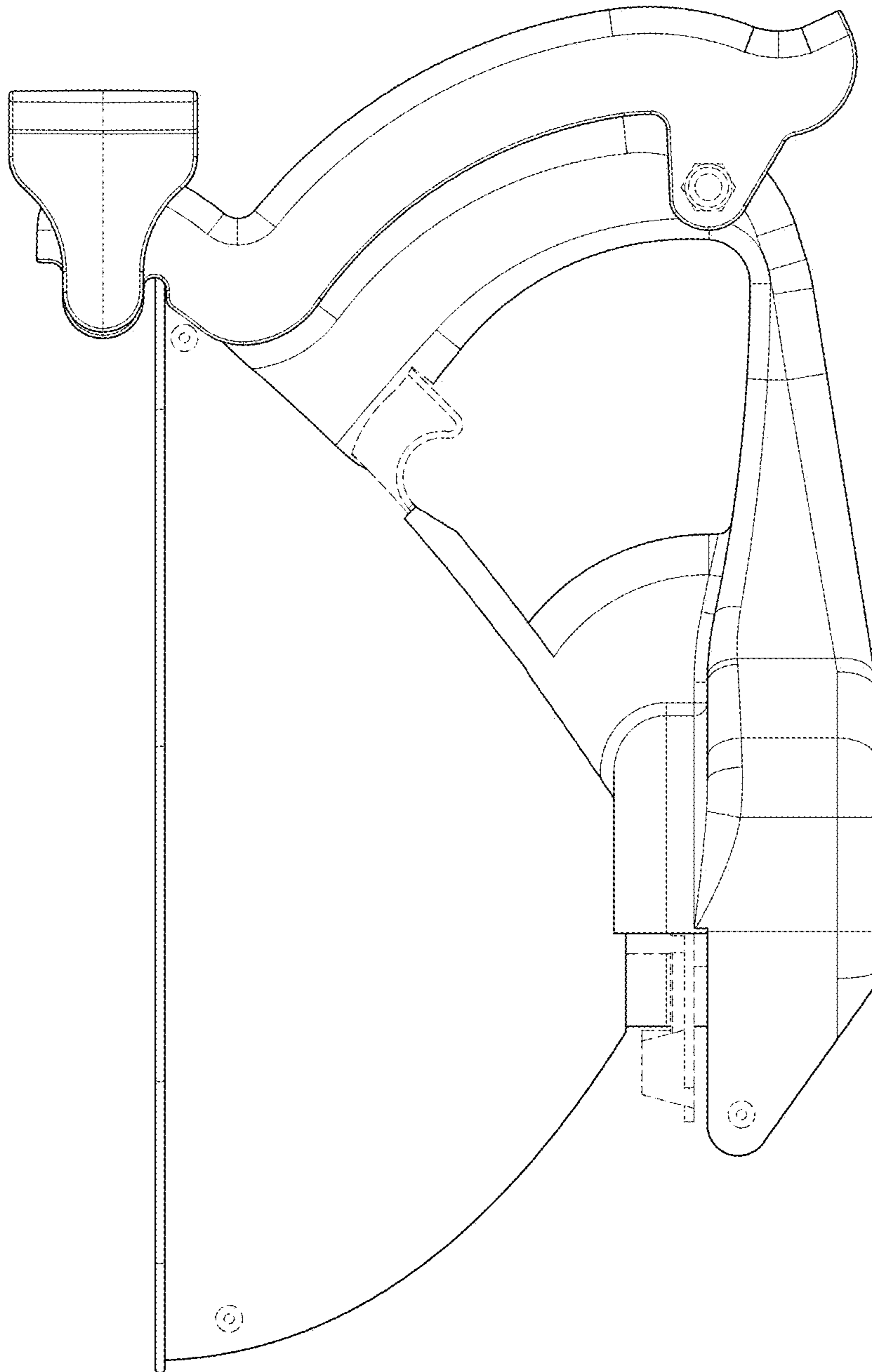


Fig. 12.

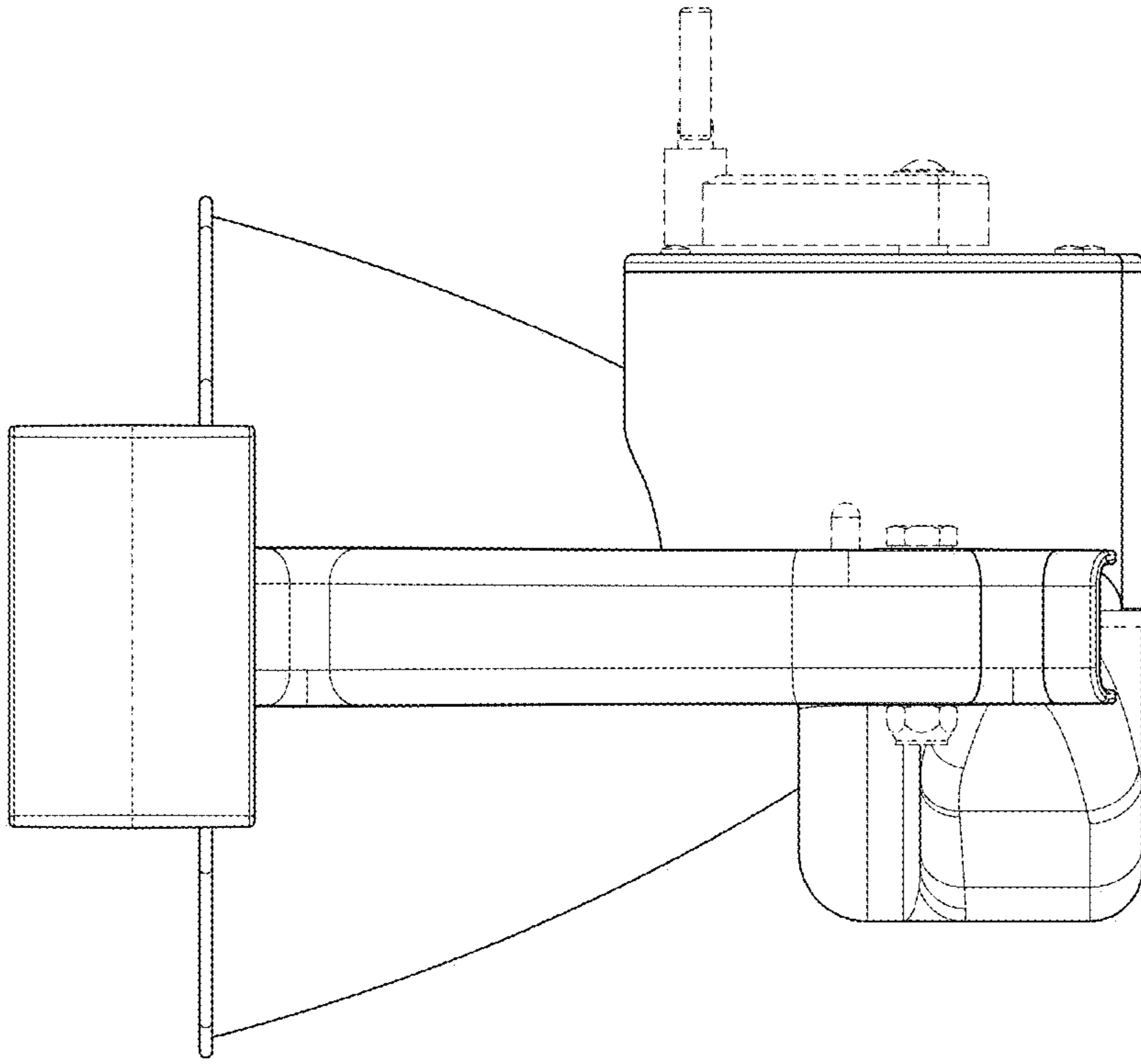


Fig. 14.

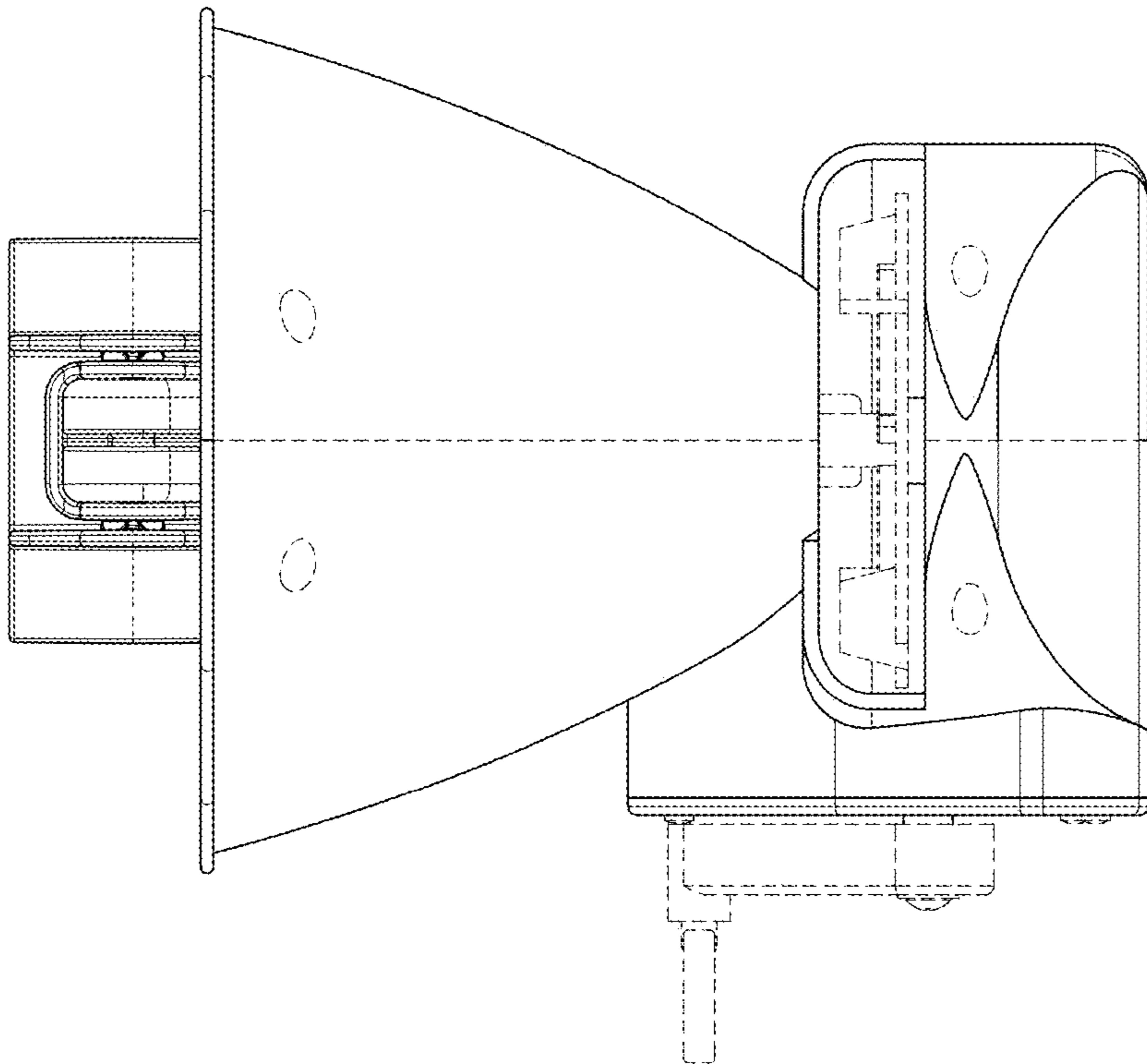


Fig. 13.

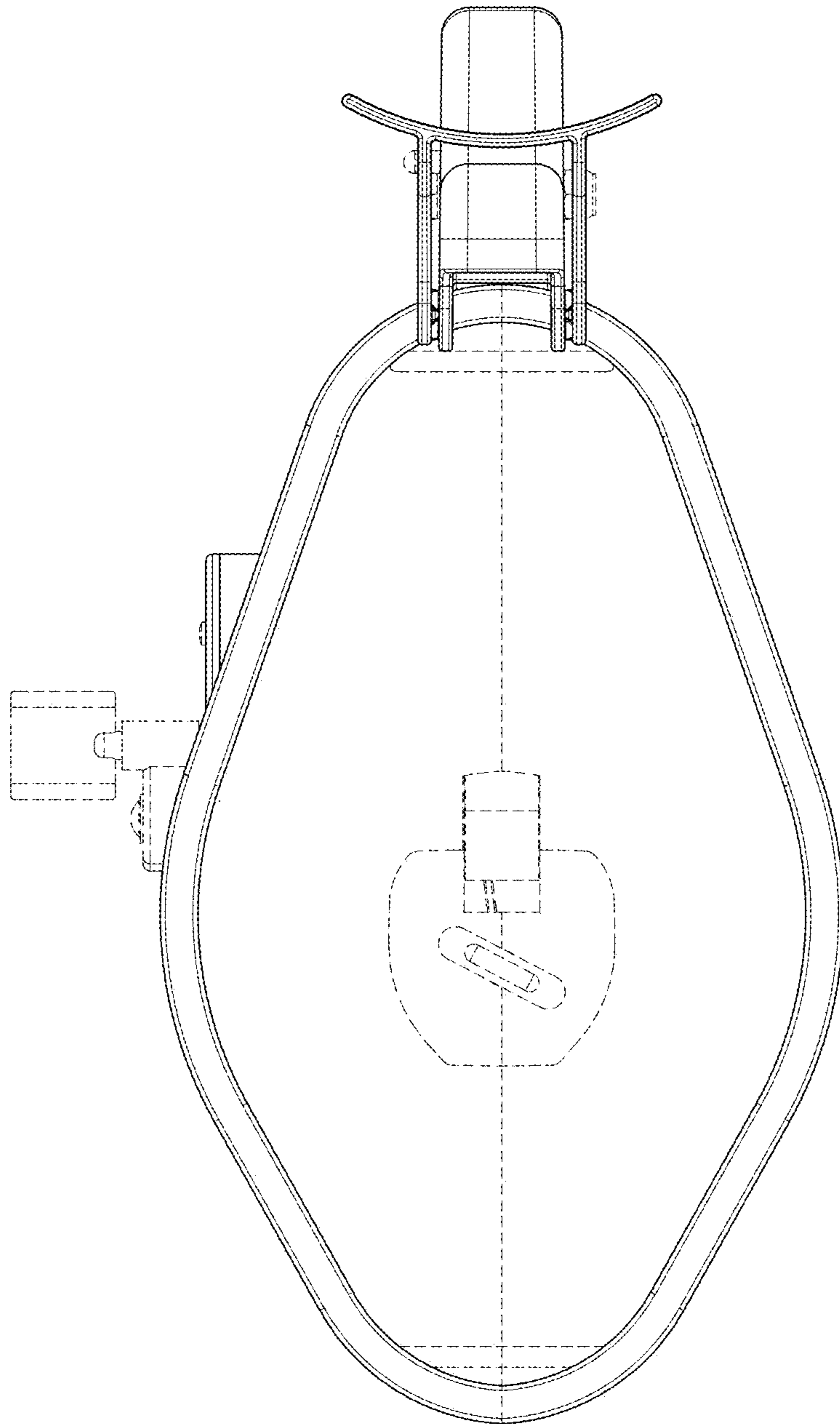


Fig. 15.

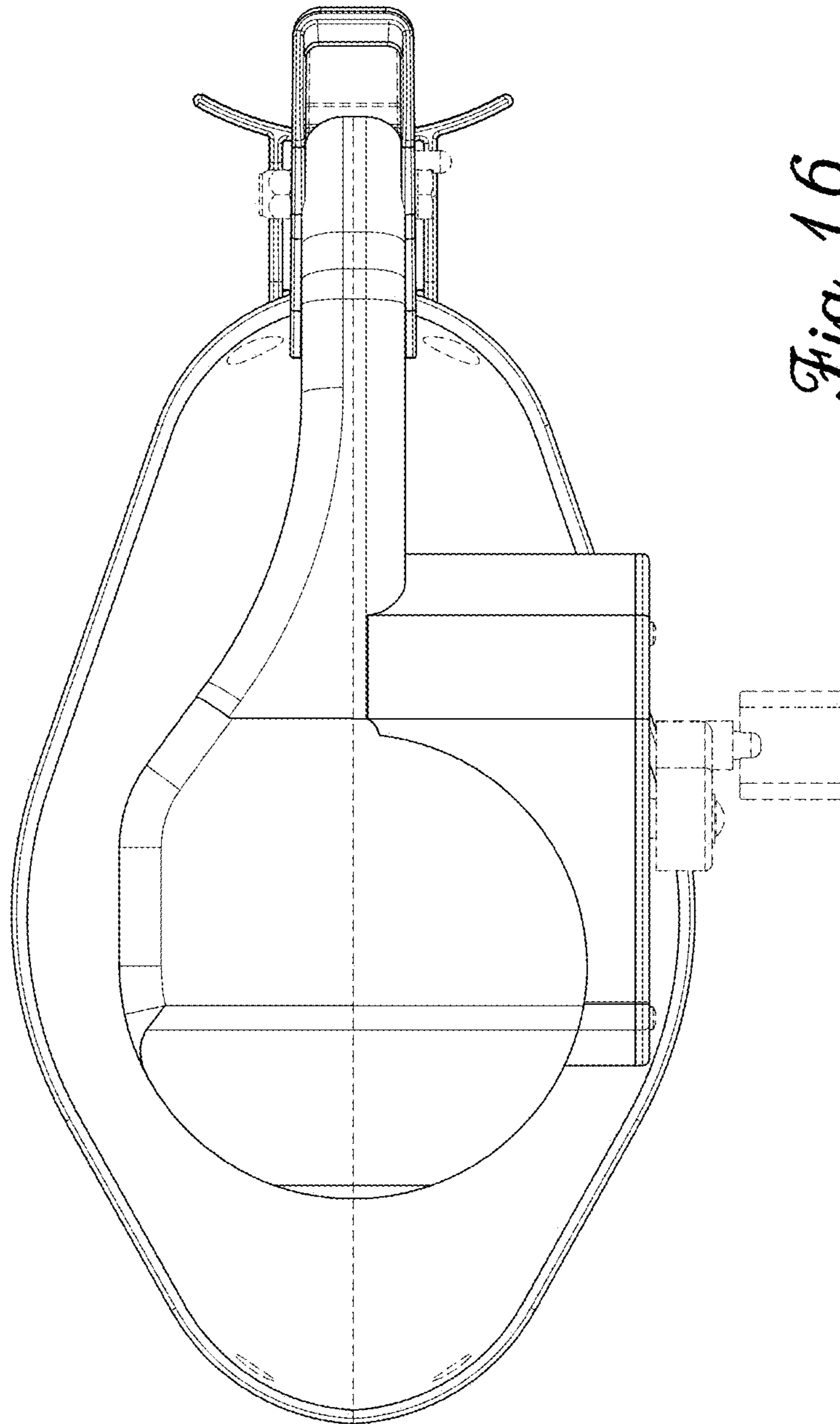


Fig. 16.