



US00D915846S

(12) **United States Design Patent** (10) **Patent No.:** **US D915,846 S**
Xie (45) **Date of Patent:** **** Apr. 13, 2021**

(54) **SPOON**

(71) Applicant: **Zhixia Xie**, Guangdong (CN)

(72) Inventor: **Zhixia Xie**, Guangdong (CN)

(73) Assignee: **Shenzhen Baozhixia Technology Co., Ltd.**, Shenzhen (CN)

(**) Term: **15 Years**

(21) Appl. No.: **29/760,033**

(22) Filed: **Nov. 27, 2020**

(51) **LOC (13) Cl.** **07-02**

(52) **U.S. Cl.**
USPC **D7/691**

(58) **Field of Classification Search**
USPC D7/688-692, 669, 368
CPC A21B 3/003; A47G 21/045; A47G 21/04;
A47G 21/02; A47G 21/023; A47G
21/026; A47J 43/288; A47J 43/283; A47J
43/281; A47J 43/28; A47J 43/00; A47J
43/282; A47J 43/285; A47F 13/08; A61J
7/0023

See application file for complete search history.

(56) **References Cited**

U.S. PATENT DOCUMENTS

D307,095 S *	4/1990	Juergens	D7/653
D413,772 S	9/1999	Durbin		
D429,123 S	8/2000	Liu		
D491,419 S *	6/2004	White	D7/653
D507,725 S	7/2005	White et al.		
D527,959 S *	9/2006	Fung	D7/690

* cited by examiner

Primary Examiner — Terry A Wallace

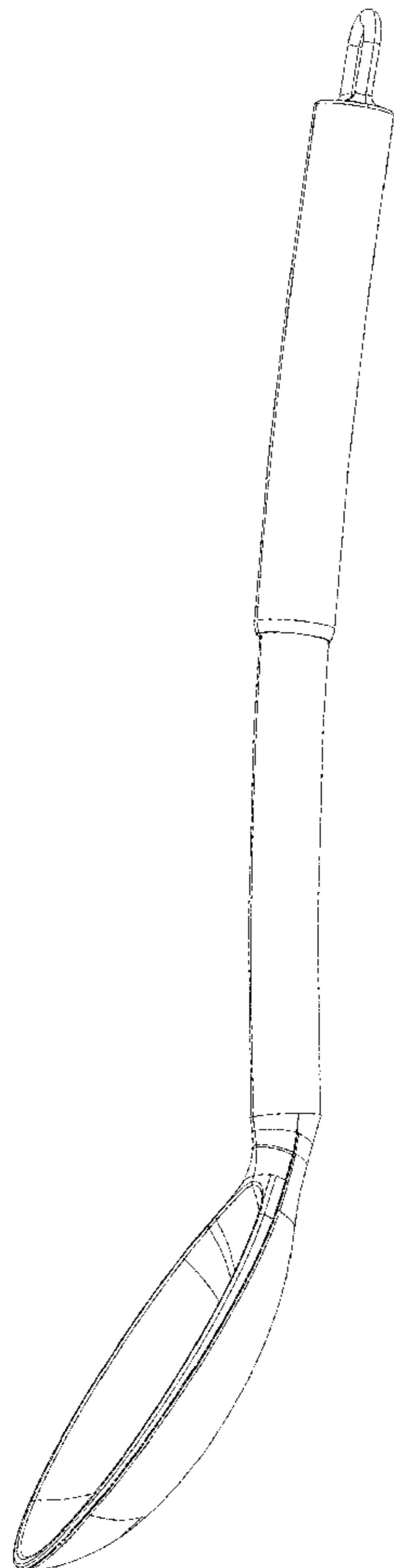
(57) **CLAIM**

The ornamental design for a spoon, as shown and described.

DESCRIPTION

FIG. 1 is a front, right perspective view of a spoon showing my new design;
FIG. 2 is a rear, left side perspective view thereof;
FIG. 3 is a rear, right side perspective view thereof;
FIG. 4 is a front elevation view thereof;
FIG. 5 is a rear elevation view thereof;
FIG. 6 is a left side elevation view thereof;
FIG. 7 is a right side elevation view thereof;
FIG. 8 is an enlarged top plan view thereof; and,
FIG. 9 is an enlarged bottom plan view thereof.

1 Claim, 6 Drawing Sheets



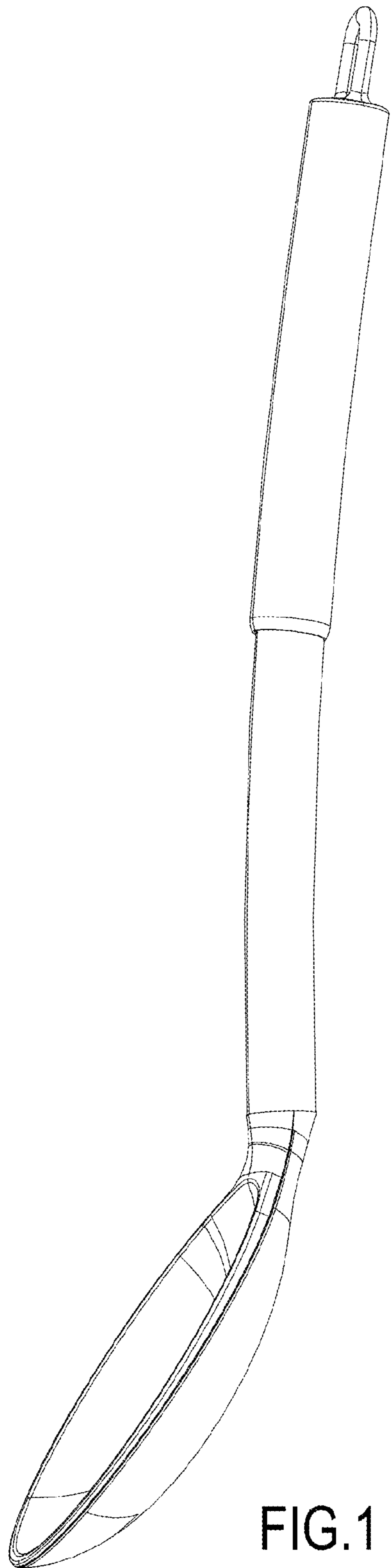


FIG. 1

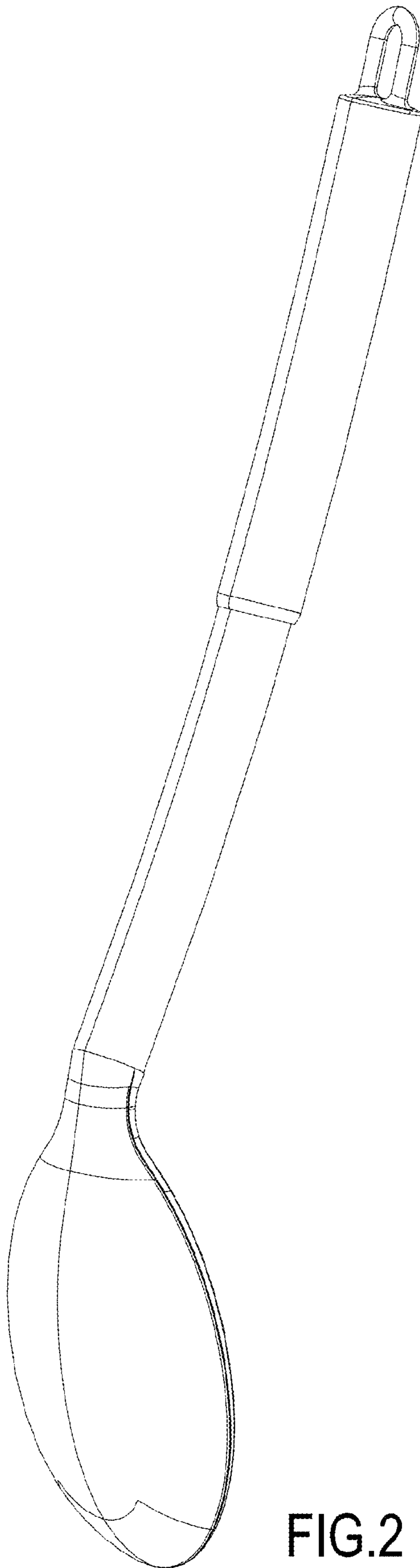


FIG.2

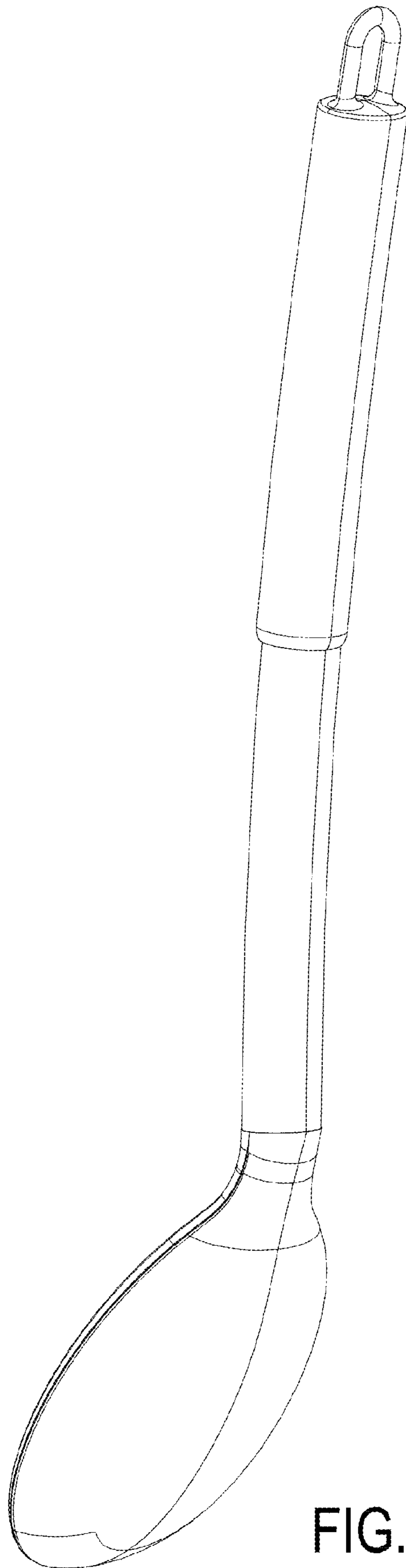


FIG.3

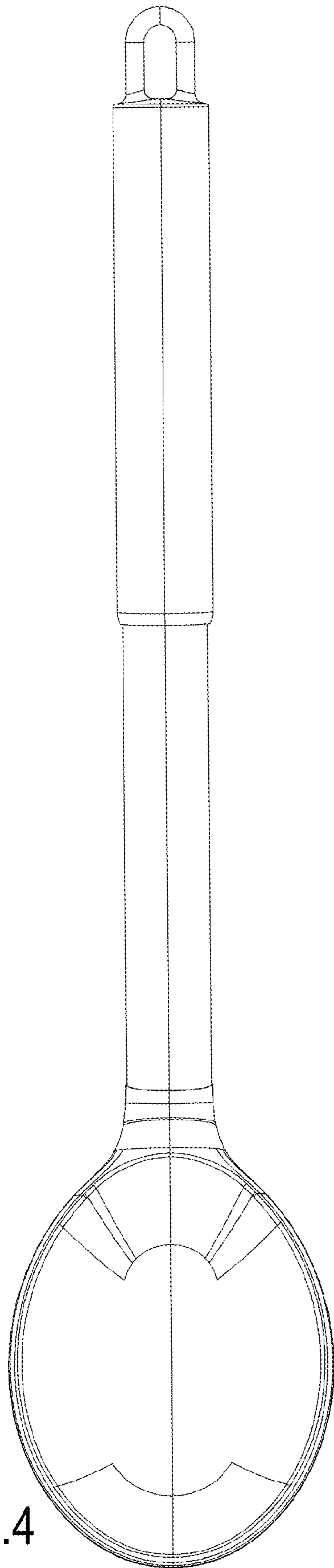


FIG.4

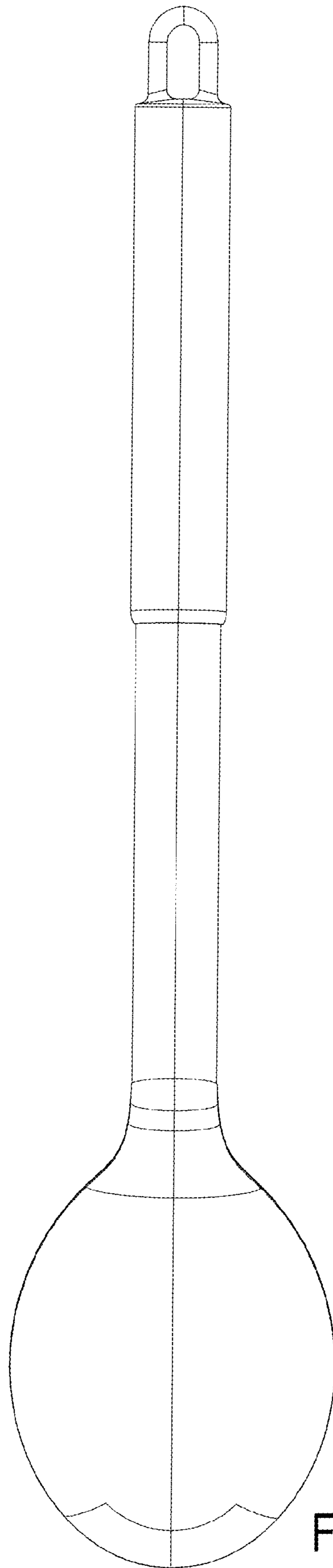


FIG.5

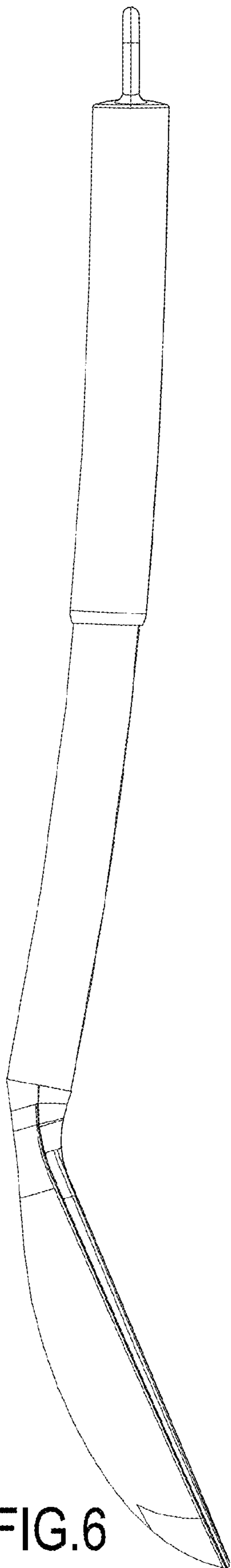


FIG. 6

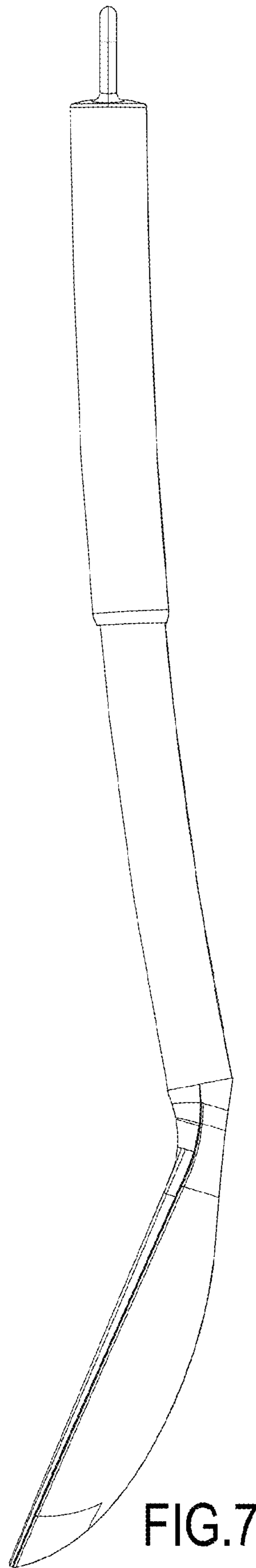


FIG. 7

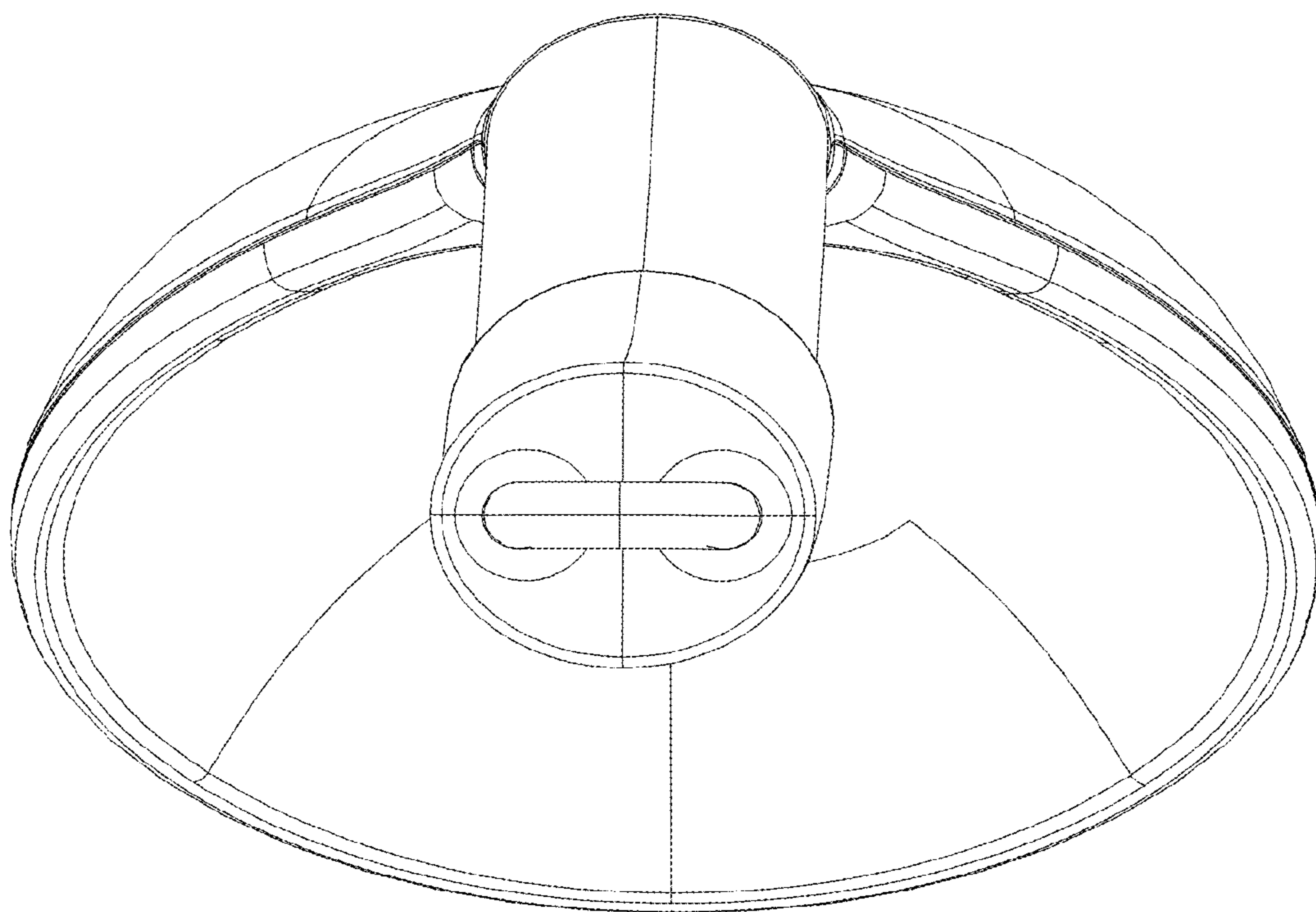


FIG. 8

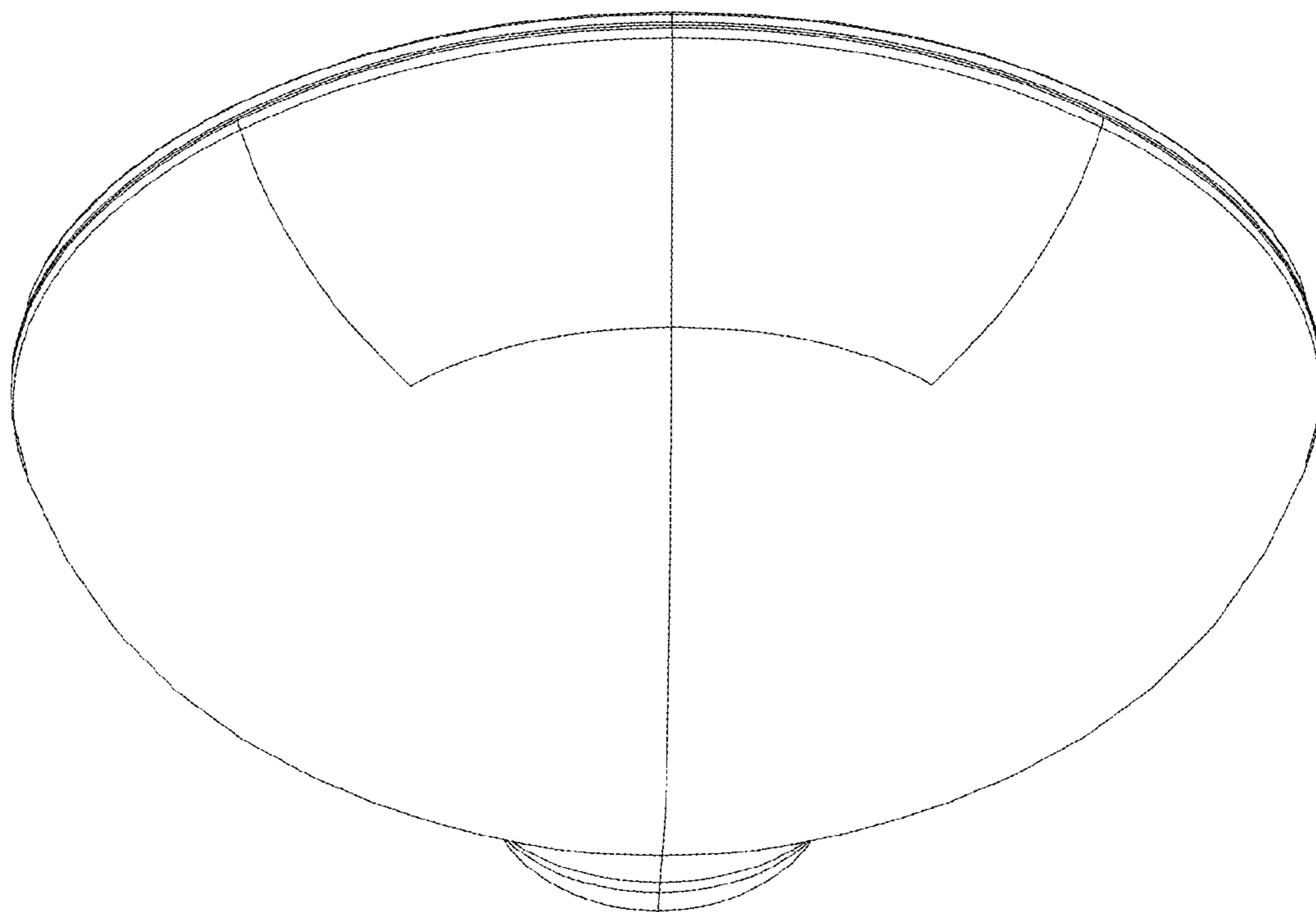


FIG. 9