



US00D915844S

(12) **United States Design Patent** (10) **Patent No.:** **US D915,844 S**
Xie (45) **Date of Patent:** **** Apr. 13, 2021**

(54) **SPATULA**
(71) Applicant: **Zhixia Xie**, Guangdong (CN)
(72) Inventor: **Zhixia Xie**, Guangdong (CN)
(73) Assignee: **Shenzhen Baozhixia Technology Co., Ltd.**, Shenzhen (CN)

D606,372 S 12/2009 Gorskey et al.
D631,711 S * 2/2011 Jossem D7/688
D689,345 S * 9/2013 Genatossio D7/688
D749,376 S * 2/2016 Genatossio D7/691
D874,231 S 2/2020 Zemel et al.
D889,918 S 7/2020 Hubert
2007/0050986 A1 * 3/2007 Foster A47J 37/0786
30/142

(**) Term: **15 Years**

* cited by examiner

(21) Appl. No.: **29/760,030**

Primary Examiner — Terry A Wallace

(22) Filed: **Nov. 27, 2020**

(51) **LOC (13) Cl.** **07-04**

(57) **CLAIM**

(52) **U.S. Cl.**
USPC **D7/688**

The ornamental design for a spatula, as shown and described.

(58) **Field of Classification Search**
USPC D7/688-692, 669, 368
CPC A21B 3/003; A47G 21/045; A47G 21/04;
A47G 21/02; A47G 21/023; A47G
21/026; A47J 43/288; A47J 43/283; A47J
43/281; A47J 43/28; A47J 43/00; A47J
43/282; A47J 43/285; A47F 13/08; A61J
7/0023

DESCRIPTION

See application file for complete search history.

FIG. 1 is a front, left side perspective view of a spatula showing my new design;
FIG. 2 is a rear, right side perspective view thereof;
FIG. 3 is a front elevation view thereof;
FIG. 4 is a rear elevation view thereof;
FIG. 5 is a left side elevation view thereof;
FIG. 6 is a right side elevation view thereof;
FIG. 7 is an enlarged top plan view thereof; and,
FIG. 8 is an enlarged bottom plan view thereof.

(56) **References Cited**

U.S. PATENT DOCUMENTS

5,491,869 A * 2/1996 Sullivan A47J 43/288
15/143.1
D379,746 S 6/1997 Savicki

1 Claim, 5 Drawing Sheets



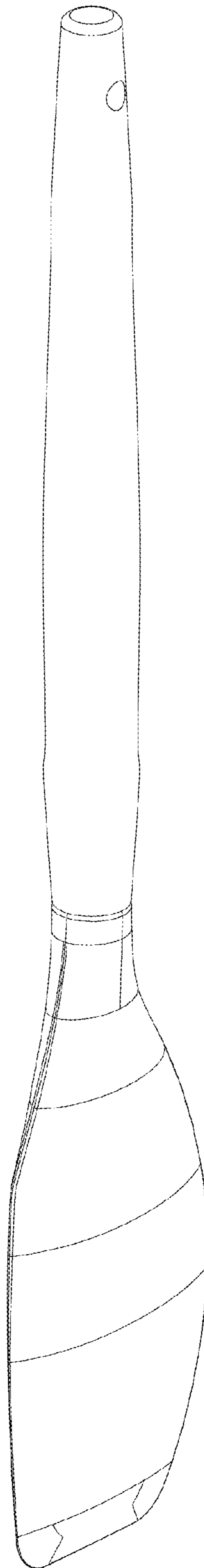


FIG.1

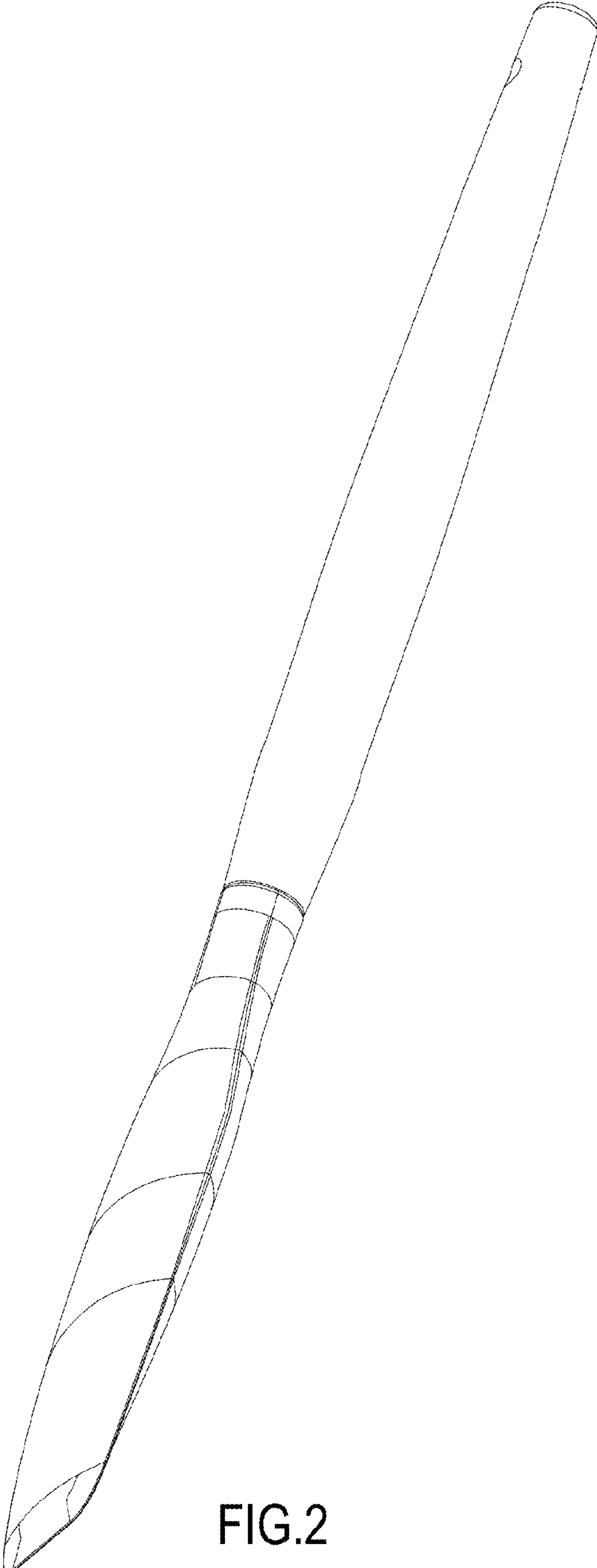


FIG.2

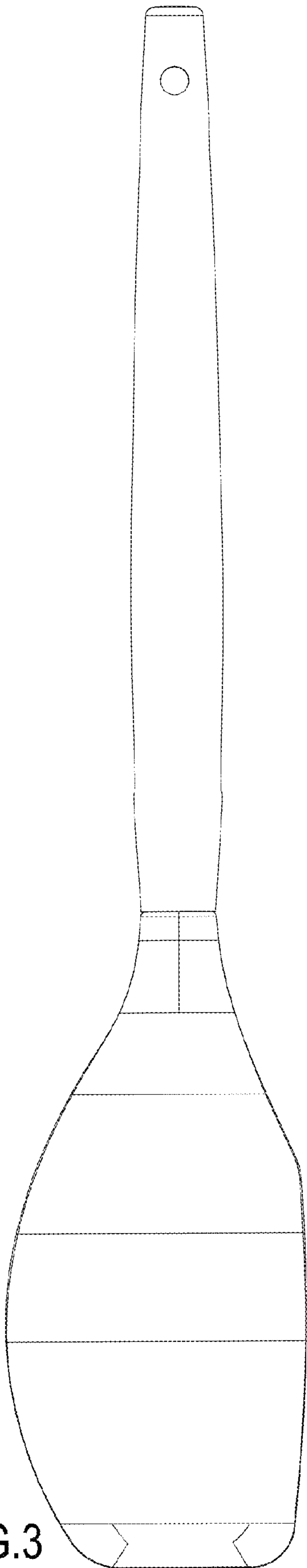


FIG.3

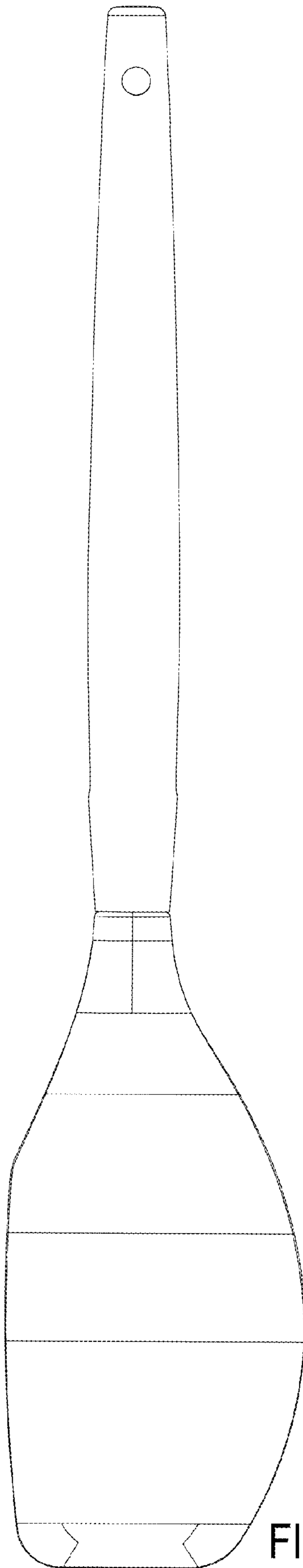


FIG.4



FIG. 5

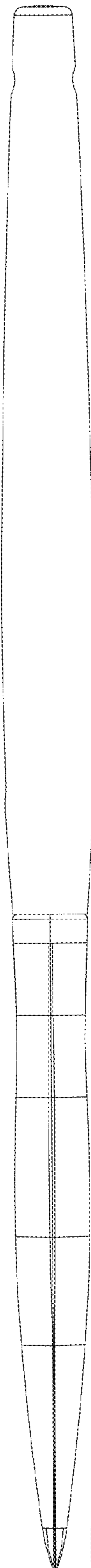


FIG. 6

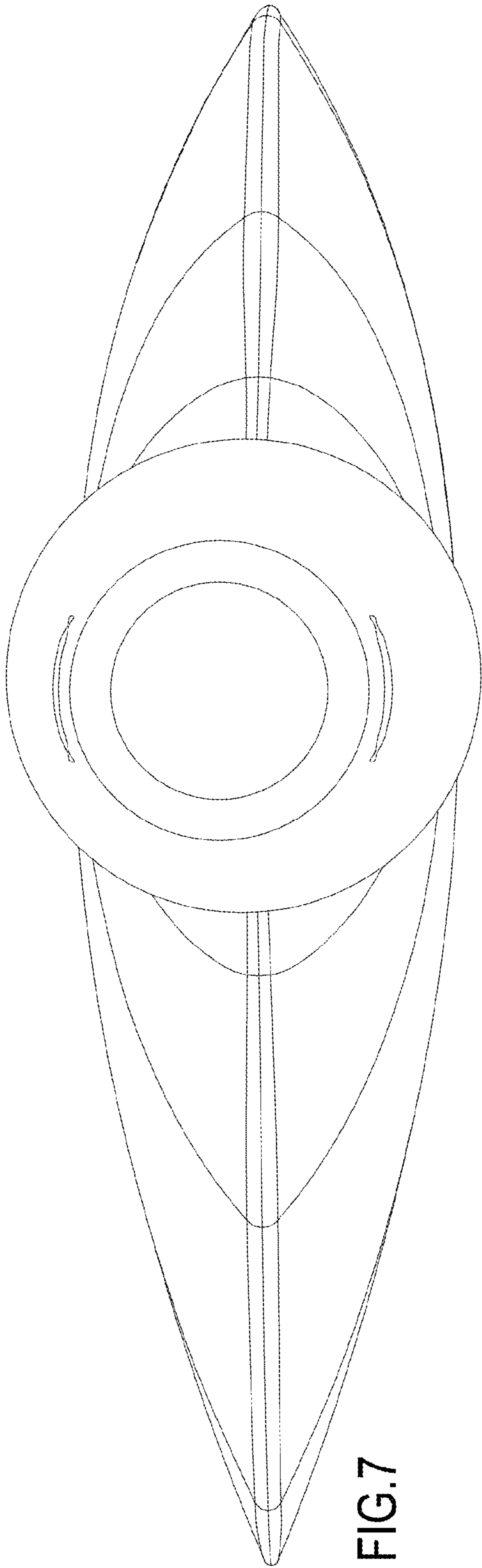


FIG. 7

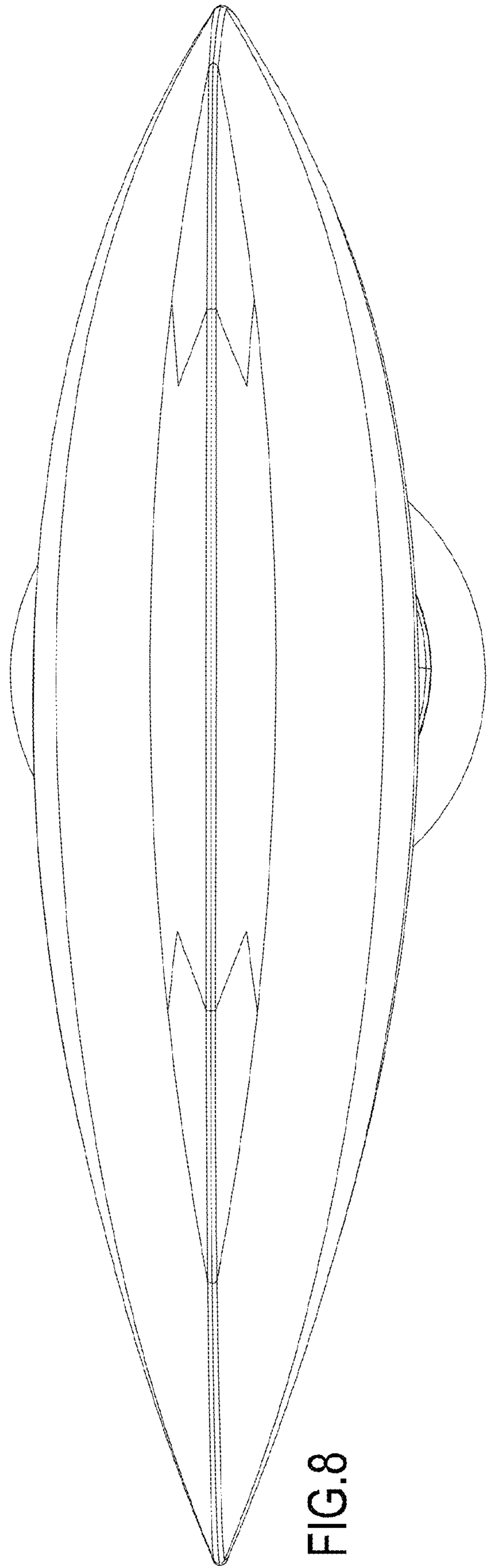


FIG. 8