



US00D915843S

(12) **United States Design Patent** (10) **Patent No.:** **US D915,843 S**  
**Lacotta et al.** (45) **Date of Patent:** **\*\* Apr. 13, 2021**

(54) **TURNER**

(71) Applicants: **Paul Lacotta**, Tenafly, NJ (US); **Lance Hazelton**, Maplewood, NJ (US); **Phillip Shook**, Brooklyn, NY (US)

(72) Inventors: **Paul Lacotta**, Tenafly, NJ (US); **Lance Hazelton**, Maplewood, NJ (US); **Phillip Shook**, Brooklyn, NY (US)

(73) Assignee: **Helen of Troy Limited**, St. Michael (BB)

(\*\*) Term: **15 Years**

(21) Appl. No.: **29/702,409**

(22) Filed: **Aug. 19, 2019**

(51) **LOC (13) Cl.** ..... **07-02**

(52) **U.S. Cl.**  
USPC ..... **D7/688**

(58) **Field of Classification Search**  
USPC ..... D7/395, 401.2, 681-697; D8/10, 107  
CPC ..... A47J 43/288; A47J 43/283; A47J 37/0694  
See application file for complete search history.

(56) **References Cited**

**U.S. PATENT DOCUMENTS**

D247,367 S *	2/1978	Dragan	433/214
D293,295 S *	12/1987	Johnson	D7/688
D396,613 S *	8/1998	Cousins	D7/688
D432,876 S *	10/2000	Kwok	D7/688
D498,989 S *	11/2004	White	D7/688
D552,939 S *	10/2007	McRorie, III	D7/691
D612,219 S *	3/2010	Reay	D7/688
D632,142 S *	2/2011	Lu	D7/688
D658,951 S *	5/2012	Jossem	D7/688
D889,918 S *	7/2020	Hubert	D7/691

**FOREIGN PATENT DOCUMENTS**

CN 201730659867 \* 12/2017

**OTHER PUBLICATIONS**

OXO GooGrips Silicone Flexible Turner. Online, published date Feb. 15, 2020. Retrieved on Dec. 15, 2020 from URL: [https://www.amazon.com/OXO-Silicone-Everyday-Flexible-Turner/dp/B082WMFQSL/ref=asc\\_df\\_B082WMFQSL/?tag=&linkCode=df0&hvadid=416720912294&hvpos=&hvnetw=g&hvrand=15216462731473747369&hvpon](https://www.amazon.com/OXO-Silicone-Everyday-Flexible-Turner/dp/B082WMFQSL/ref=asc_df_B082WMFQSL/?tag=&linkCode=df0&hvadid=416720912294&hvpos=&hvnetw=g&hvrand=15216462731473747369&hvpon) (Year: 2020).\*

OXO ® Nylon Spatula-Turner. Online, published date unknown. Retrieved on Dec. 15, 2020 from URL: <https://www.crateandbarrel.com/oxo-nylon-spatula-turner/s177982> (Year: 2020).\*

OXO Good Grips Brushed Stainless Steel Turner. Online, published date Mar. 10, 2004. Retrieved on Dec. 15, 2020 from URL: <https://www.amazon.com/OXO-Grips-Brushed-Stainless-Turner/dp/B0001BMXIU> (Year: 2020).\*

<https://www.oxo.com/silicone-turner.html>, publicly available prior to Aug. 19, 2019.

\* cited by examiner

*Primary Examiner* — Janice Hallmark

*Assistant Examiner* — Omeed Agilee

(74) *Attorney, Agent, or Firm* — Rankin, Hill & Clark LLP

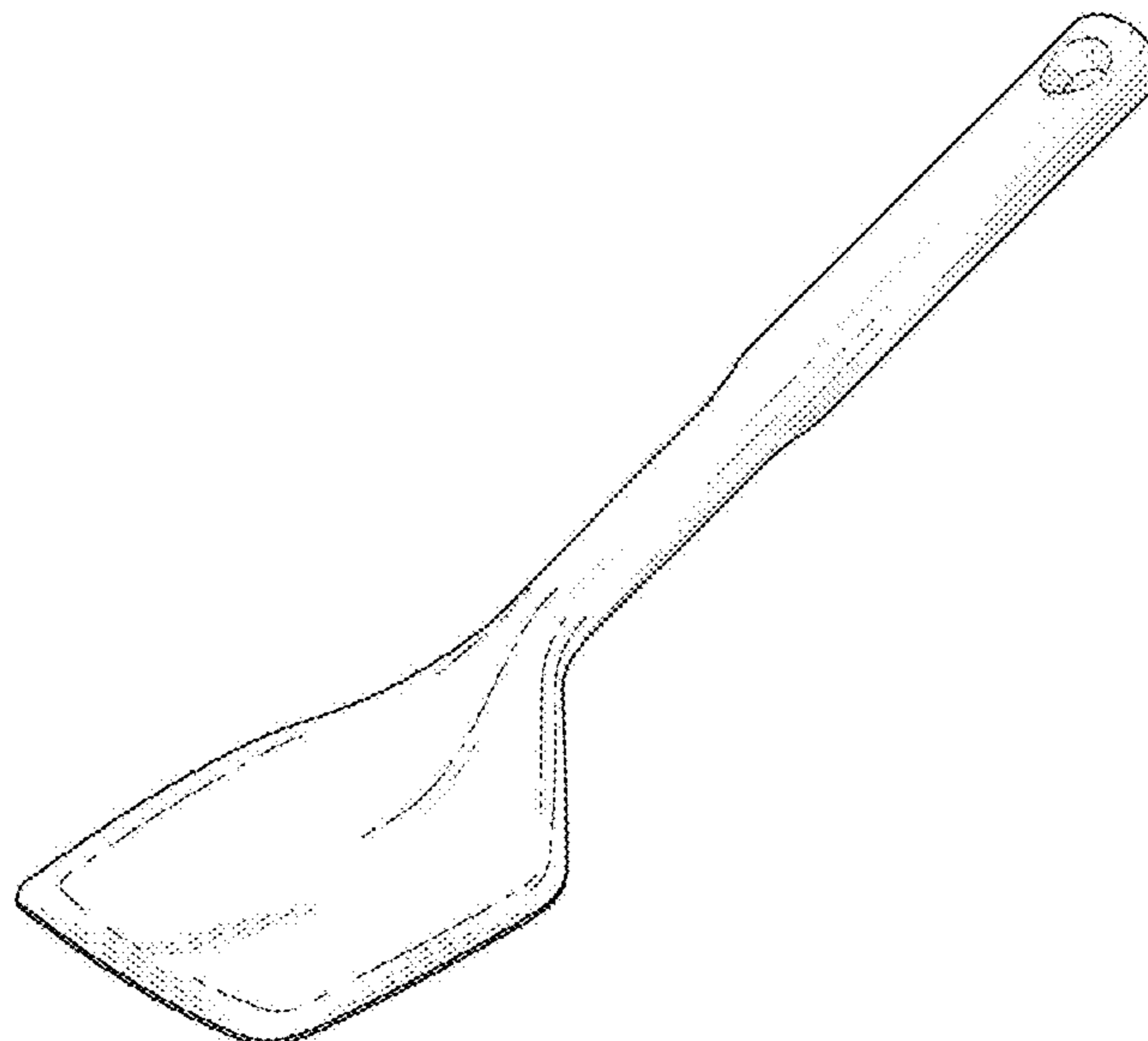
(57) **CLAIM**

The ornamental design for a turner, as shown, and described.

**DESCRIPTION**

FIG. 1 is a perspective view of a turner;  
FIG. 2 is a front view thereof;  
FIG. 3 is a rear view thereof;  
FIG. 4 is a right elevation view thereof, the left elevation being a mirror image thereof;  
FIG. 5 is a top plan view thereof; and,  
FIG. 6 is a bottom plan view thereof.

**1 Claim, 6 Drawing Sheets**



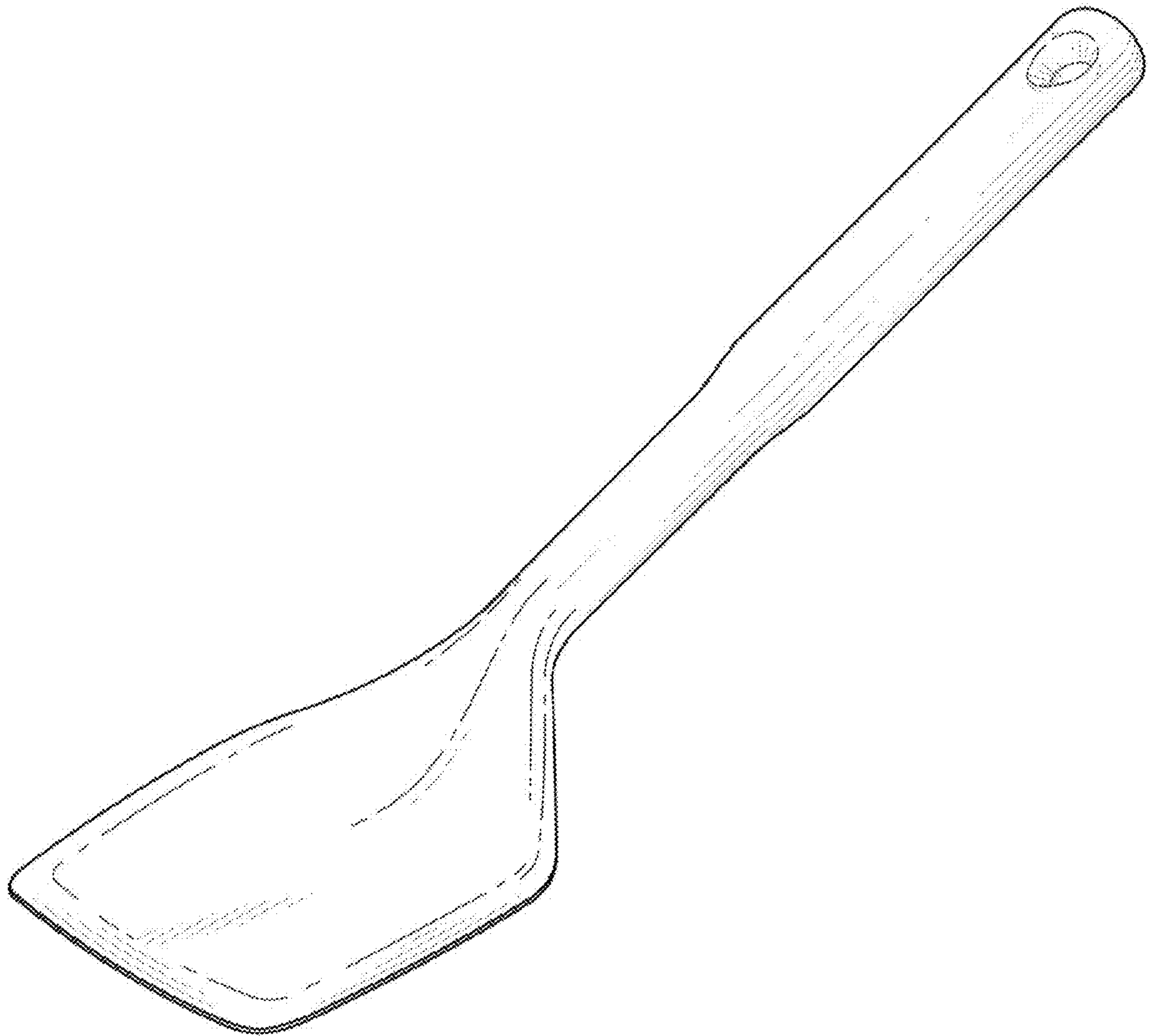


FIG. 1

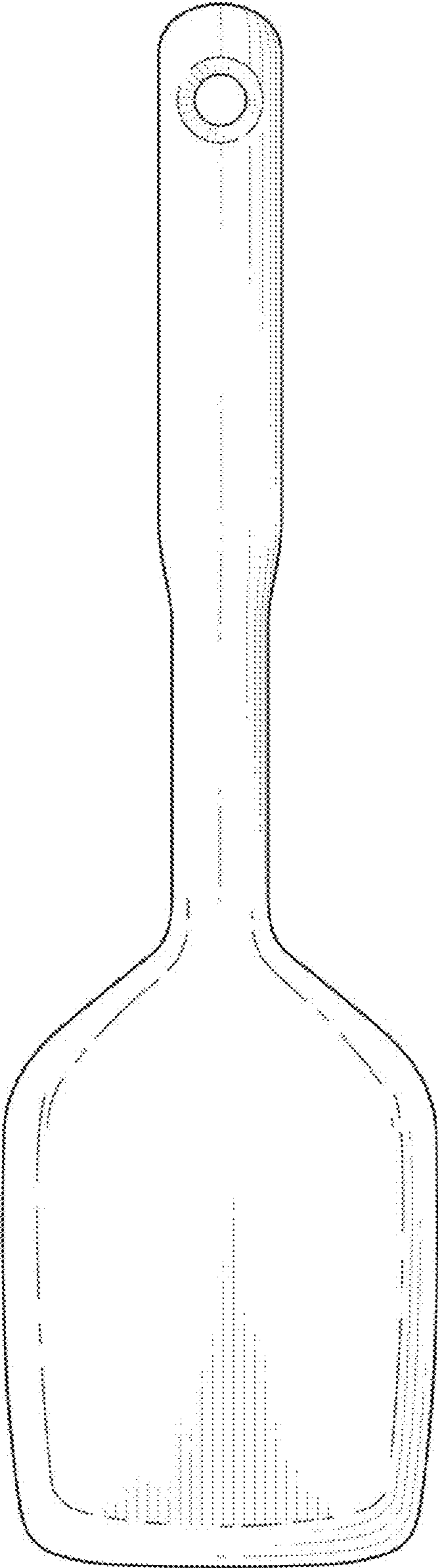


FIG. 2

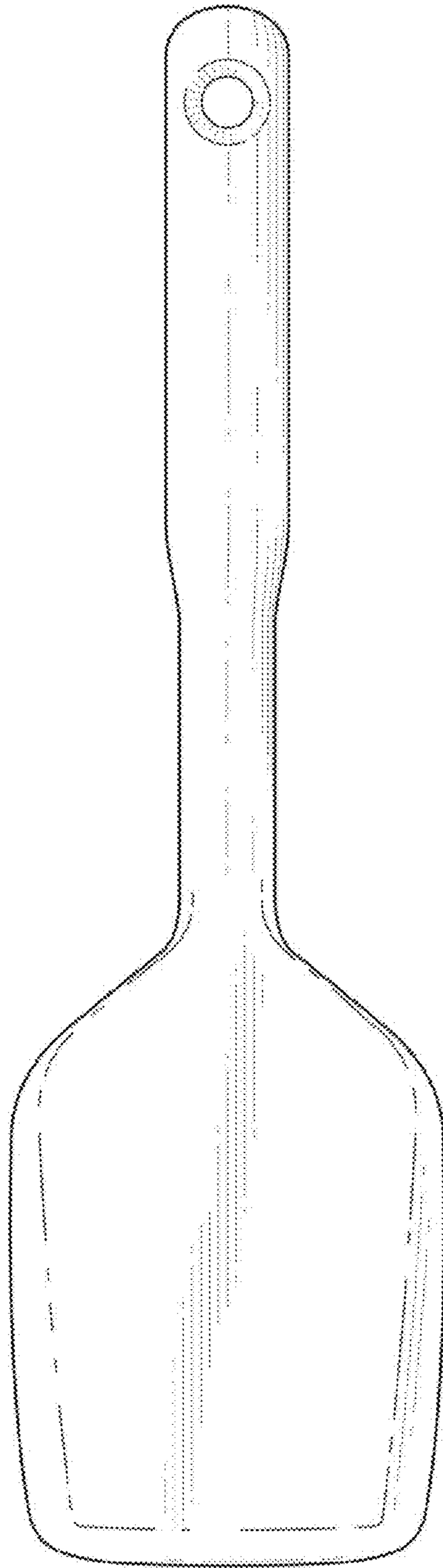


FIG. 3

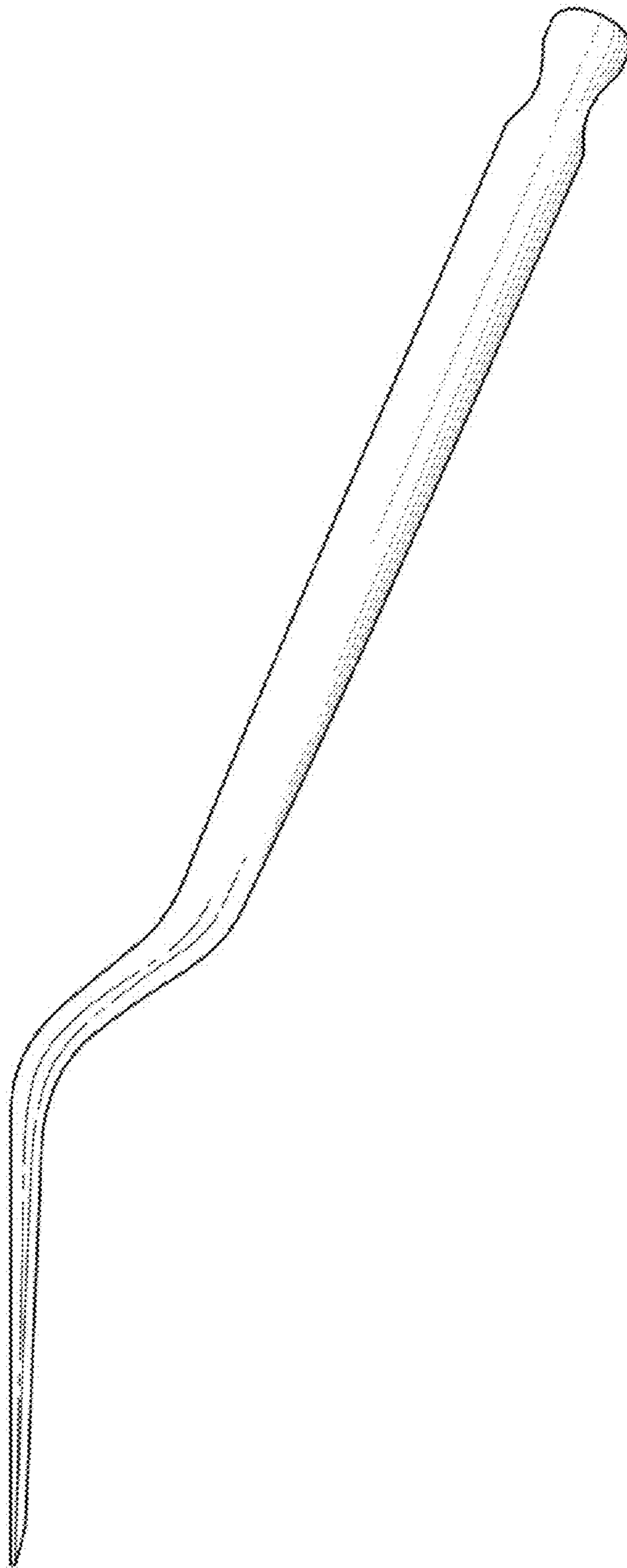


FIG. 4

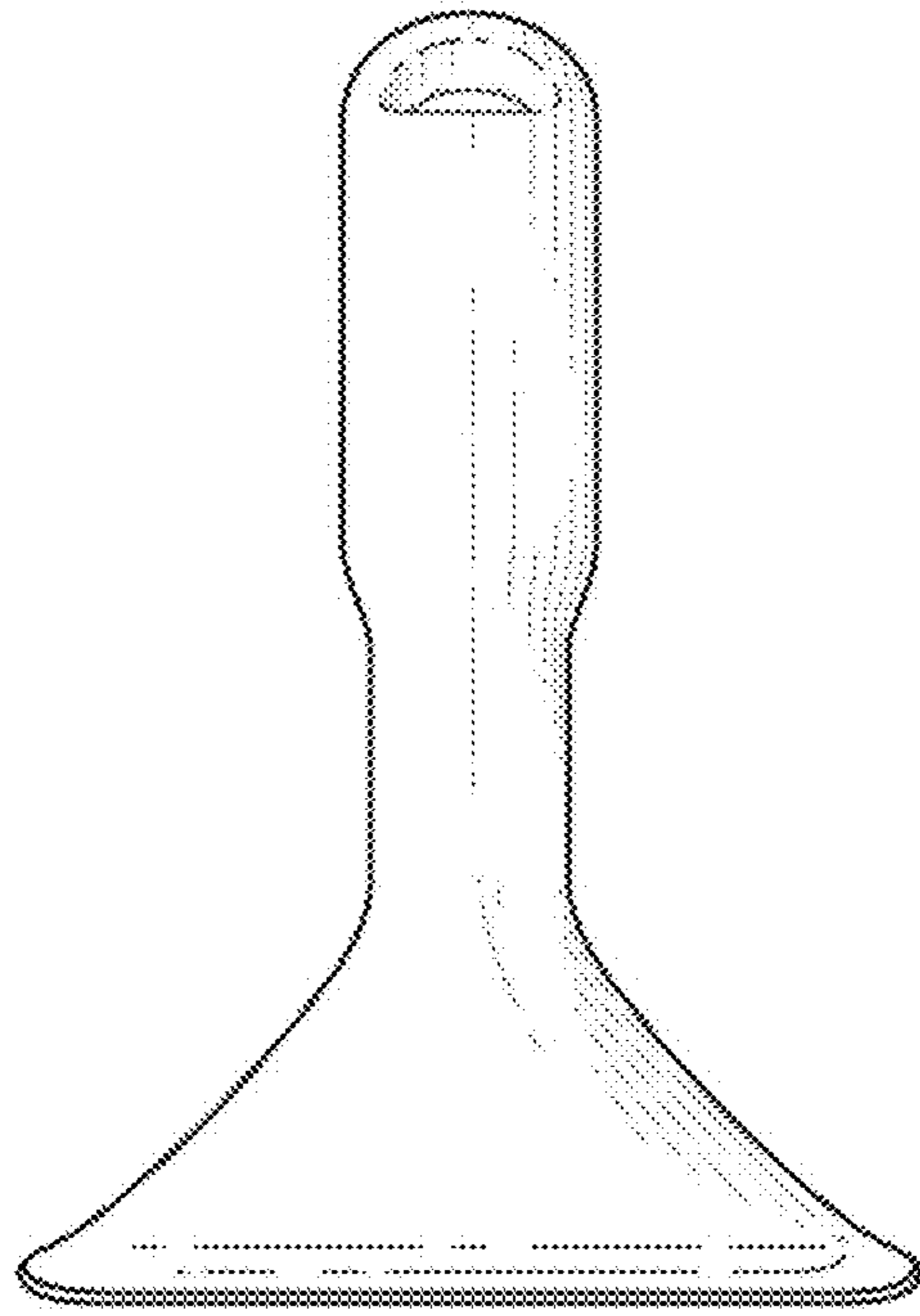


FIG. 5

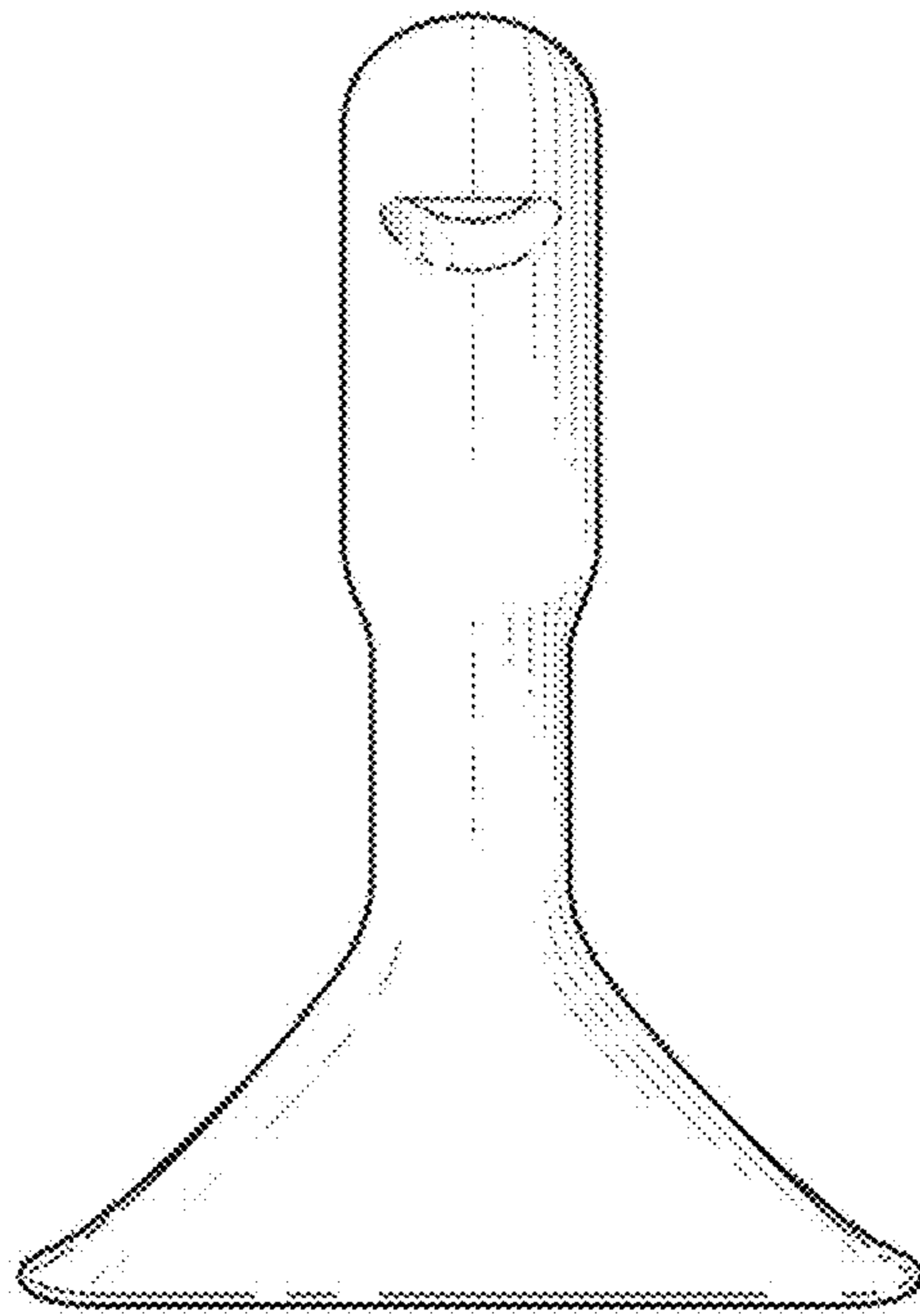


FIG. 6