



US00D915842S

(12) **United States Design Patent** (10) **Patent No.:** **US D915,842 S**
Xiao (45) **Date of Patent:** **** Apr. 13, 2021**

(54) **COMBINED INTELLIGENT ROASTING STICK AND HOLDER**

(71) Applicant: **Chenglin Xiao**, Hubei (CN)

(72) Inventor: **Chenglin Xiao**, Hubei (CN)

(**) Term: **15 Years**

(21) Appl. No.: **29/665,045**

(22) Filed: **Sep. 29, 2018**

(51) **LOC (13) Cl.** **07-06**

(52) **U.S. Cl.**
USPC **D7/683**

(58) **Field of Classification Search**
USPC D7/393, 395, 409, 412, 683; D8/14;
D23/398, 403; D24/112, 133; D21/775;
D30/156
CPC A47J 33/00; A47J 37/0694; A47J 43/18;
A47J 43/283; A47G 21/02; A47G 21/023
See application file for complete search history.

(56) **References Cited**

U.S. PATENT DOCUMENTS

2,517,448 A * 8/1950 Schmeling A47J 33/00
99/421 A
4,539,751 A * 9/1985 Chan A47J 43/283
30/322
5,775,207 A * 7/1998 Warren A47J 43/283
99/394
D482,937 S * 12/2003 Renault D7/683
D496,835 S * 10/2004 Scott D7/683
7,011,003 B1 * 3/2006 Berke A47J 43/283
30/143

D555,436 S * 11/2007 Slothower D10/46
8,429,827 B1 * 4/2013 Wetzel A47J 43/283
30/322
D832,063 S * 10/2018 Chapman D7/683
D834,899 S * 12/2018 Haftoglou D7/683
2015/0110939 A1 * 4/2015 Benson A47J 45/00
426/523
2017/0224171 A1 * 8/2017 Fink A47J 43/18

OTHER PUBLICATIONS

Alritz Automatic BBQ Rotisserie Kit: Announced Feb. 26, 2019 [online]. Site Viisited [Jul. 22, 2020]. Available from Internet URL: https://www.amazon.com/Alritz-Automatic-Rotisserie-Roasting-Marshmallow/dp/B07JRBM8L5/ref=cm_cr_arp_d_product_top?ie=UTF8.*

* cited by examiner

Primary Examiner — Catherine S Posthauer
(74) *Attorney, Agent, or Firm* — Justin Lampel

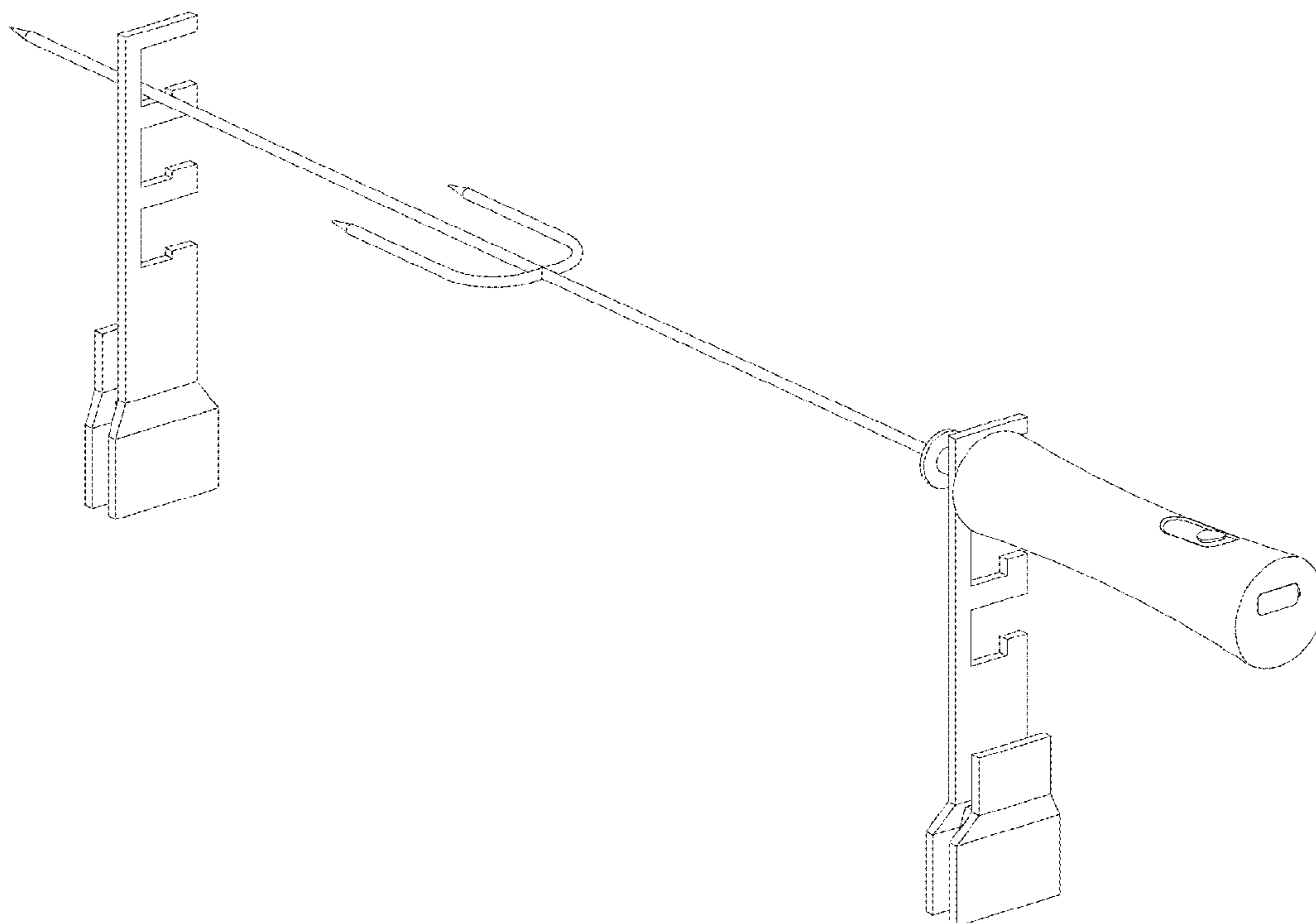
(57) **CLAIM**

The ornamental design for a combined intelligent roasting stick and holder, as shown and described.

DESCRIPTION

FIG. 1 is a perspective view of a combined intelligent roasting stick and holder showing my new design; FIG. 2 is a front elevational view thereof; FIG. 3 is a rear elevational view thereof; FIG. 4 is a right side view thereof; FIG. 5 is a left side view thereof; FIG. 6 is a bottom plan view thereof; and, FIG. 7 is a top plan view thereof.

1 Claim, 7 Drawing Sheets



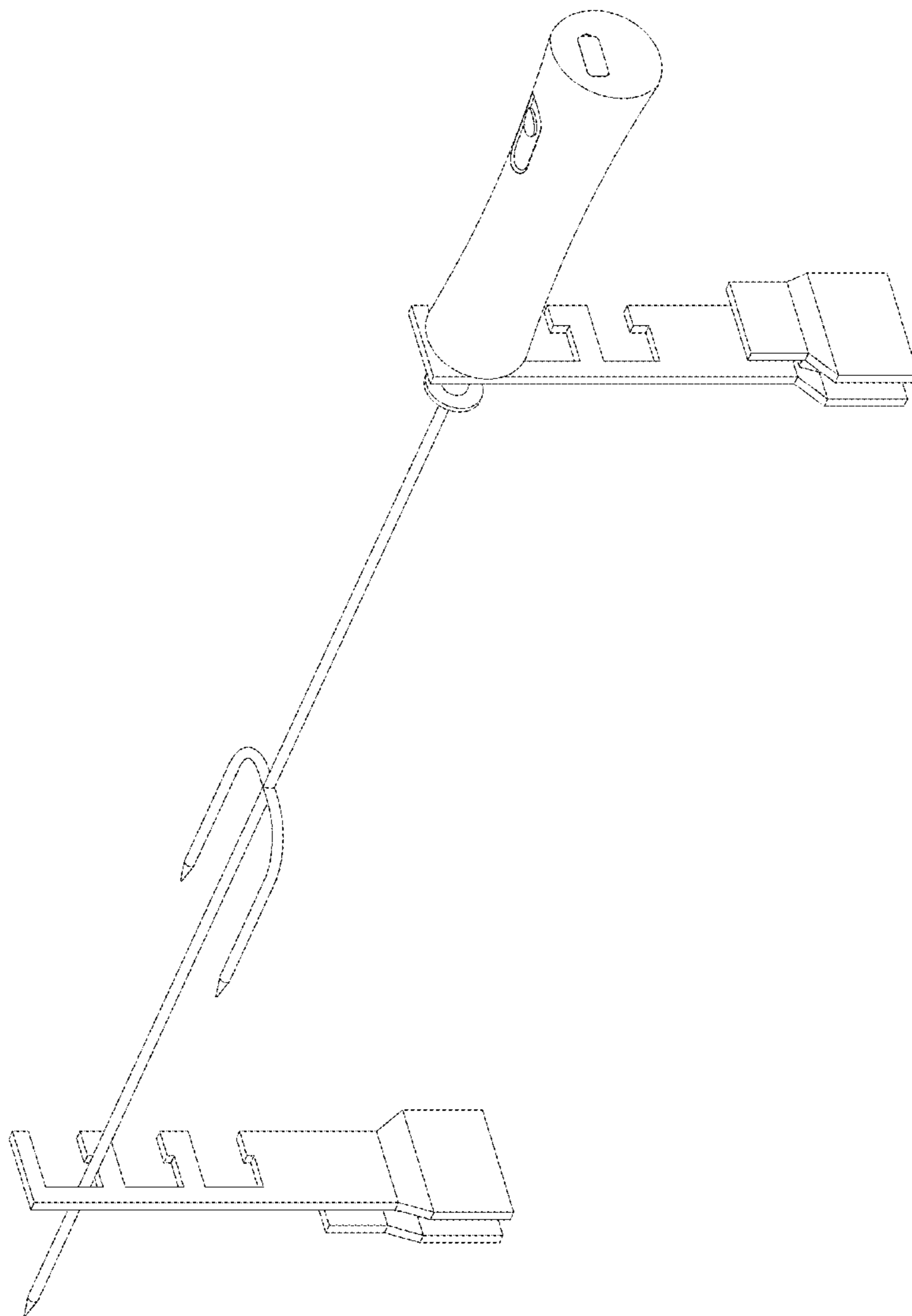


FIG. 1

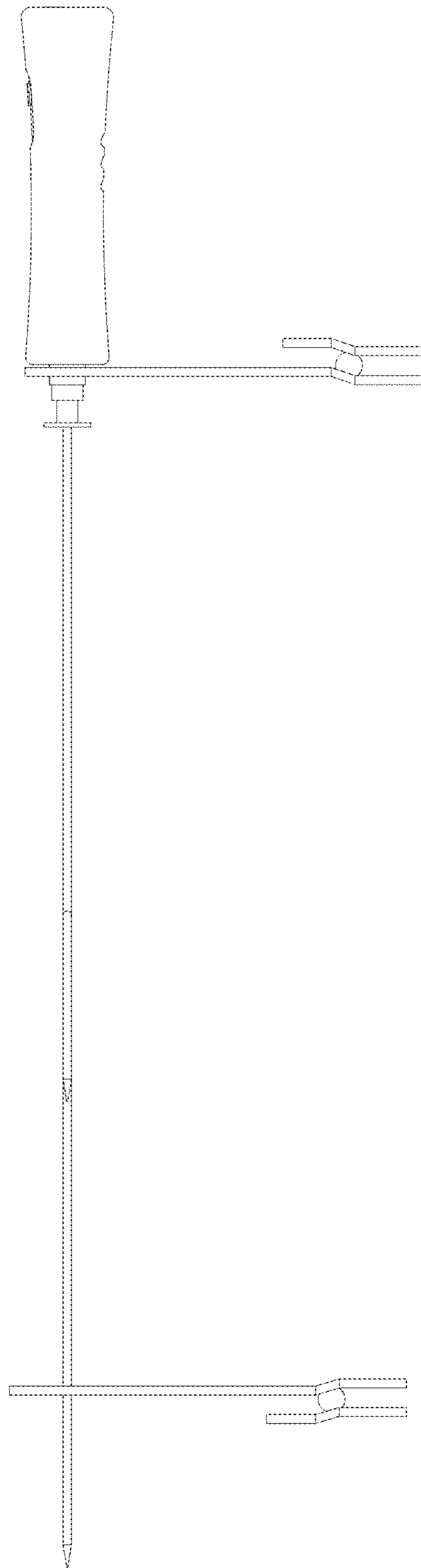


FIG. 2

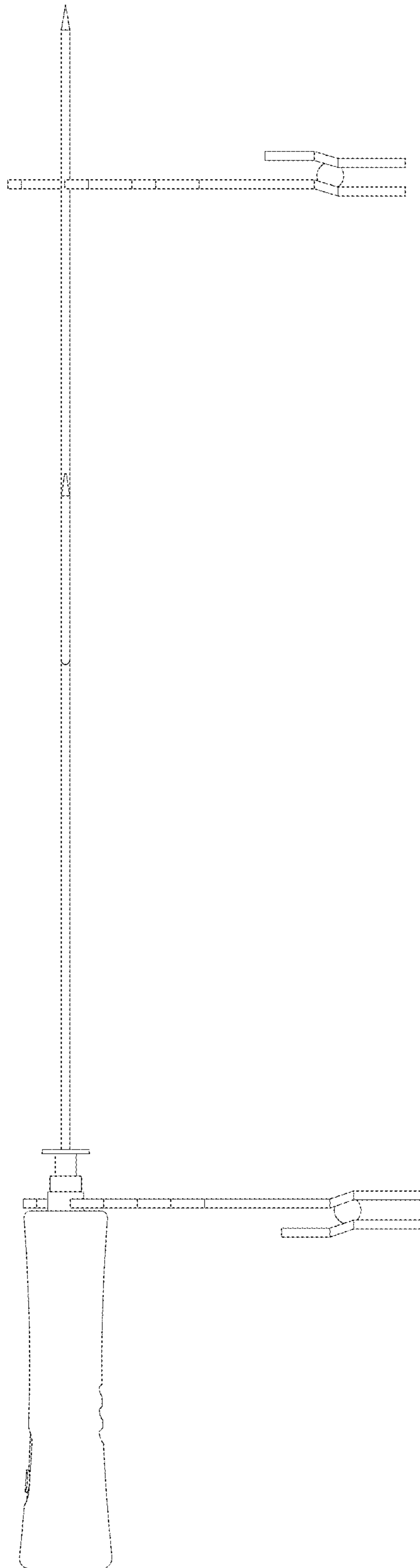


FIG. 3

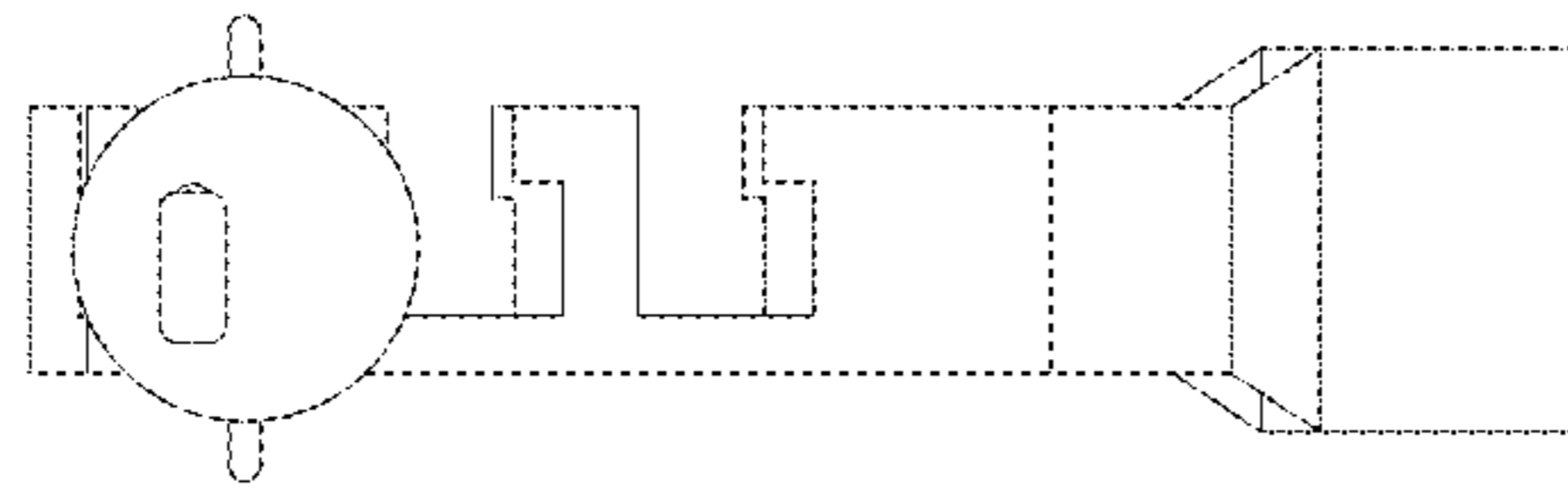


FIG.4

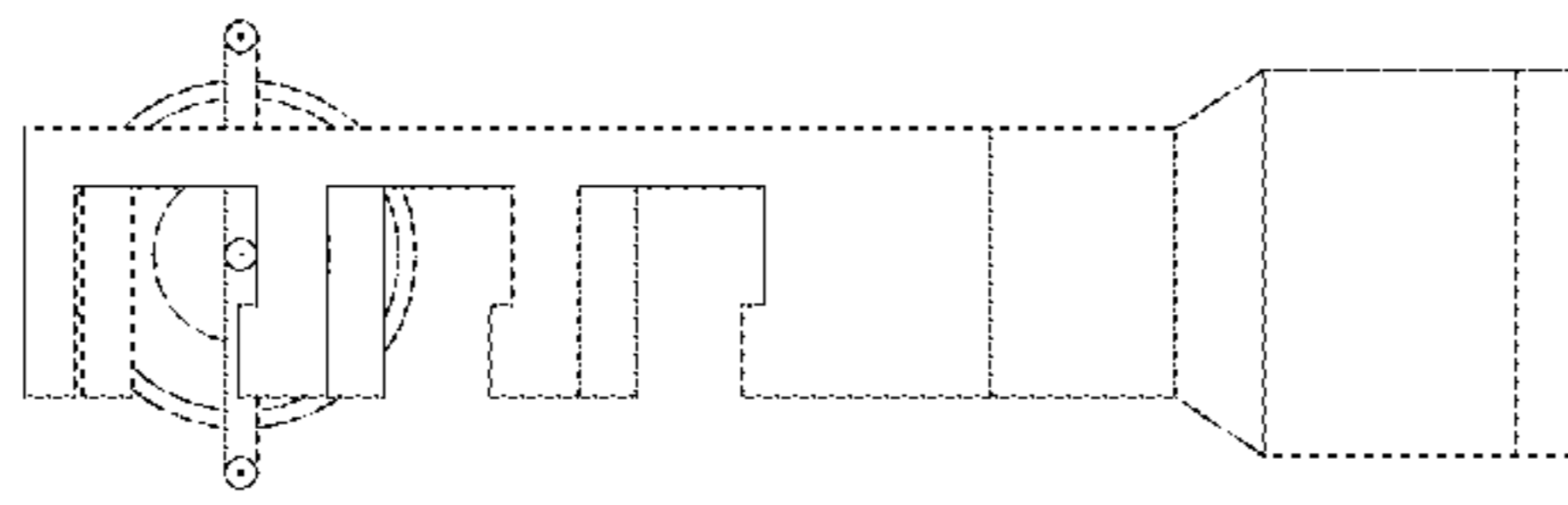


FIG. 5

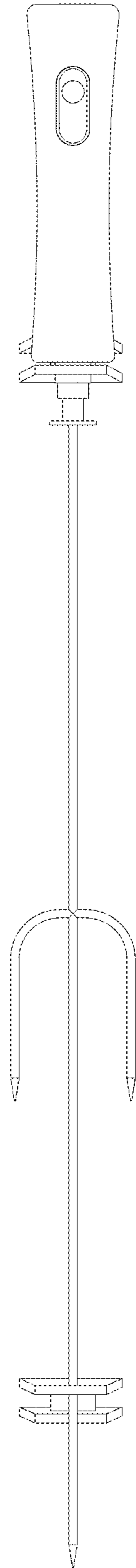


FIG.6

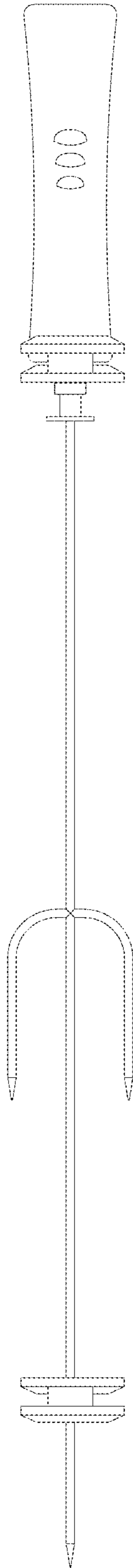


FIG. 7