



US00D915841S

(12) **United States Design Patent** (10) **Patent No.:** **US D915,841 S**
Dorosz (45) **Date of Patent:** **** Apr. 13, 2021**

(54) **COOKIE CUTTER**
(71) Applicant: **Walter Dorosz**, Brockton, MA (US)
(72) Inventor: **Walter Dorosz**, Brockton, MA (US)
(**) Term: **15 Years**

D524,122 S 7/2006 Johnson
D587,074 S * 2/2009 Casarta D7/675
D715,107 S 10/2014 Moreno
D844,396 S * 4/2019 Goulet Dubois D7/675
2002/0092180 A1 7/2002 Tomasulo
2004/0250667 A1 12/2004 Atwater
2005/0132579 A1 6/2005 Sartori

(21) Appl. No.: **29/708,641**
(22) Filed: **Oct. 8, 2019**
(51) **LOC (13) Cl.** **07-04**
(52) **U.S. Cl.**
USPC **D7/675**
(58) **Field of Classification Search**
USPC D7/368, 381, 387, 389, 500, 502, 504,
D7/669, 670, 672-677, 693
CPC A21C 11/106; A47G 19/265; A47G 19/30;
A47G 2019/306; A47G 2021/002; A47G
21/001; A47G 21/004; A47G 21/005;
A47J 9/00; A47J 17/00; A47J 17/02;
A47J 17/04; A47J 17/10; B26B 5/008;
B26D 3/11; B26D 3/18; B26D 3/185;
B26D 3/26; B26D 3/28; B26D 3/283;
B26D 2003/285-288; B26D 2210/02;
B26D 2210/04; B26F 1/40; B26F 1/44;
B65D 5/18; B65D 75/14
See application file for complete search history.

(56) **References Cited**
U.S. PATENT DOCUMENTS
1,463,941 A 8/1923 Cusimano
3,363,589 A 1/1968 Addington
4,327,489 A 5/1982 Conrad
5,848,470 A 12/1998 Anderson
6,276,918 B1 8/2001 Slaughter

OTHER PUBLICATIONS

Hearth and Hand Magnolia Multi-Cookie Cutter Sheet, first available Dec. 1, 2018, Amazon, [online], [site visited Feb. 10, 2021], Available from internet URL: <https://www.amazon.com/Hearth-Hand-Magnolia-Multi-Cookie-Cutter/dp/B07L1TWSM3> (Year: 2018).*

* cited by examiner

Primary Examiner — Mary Ann Calabrese
Assistant Examiner — Natalya M Rapundalo

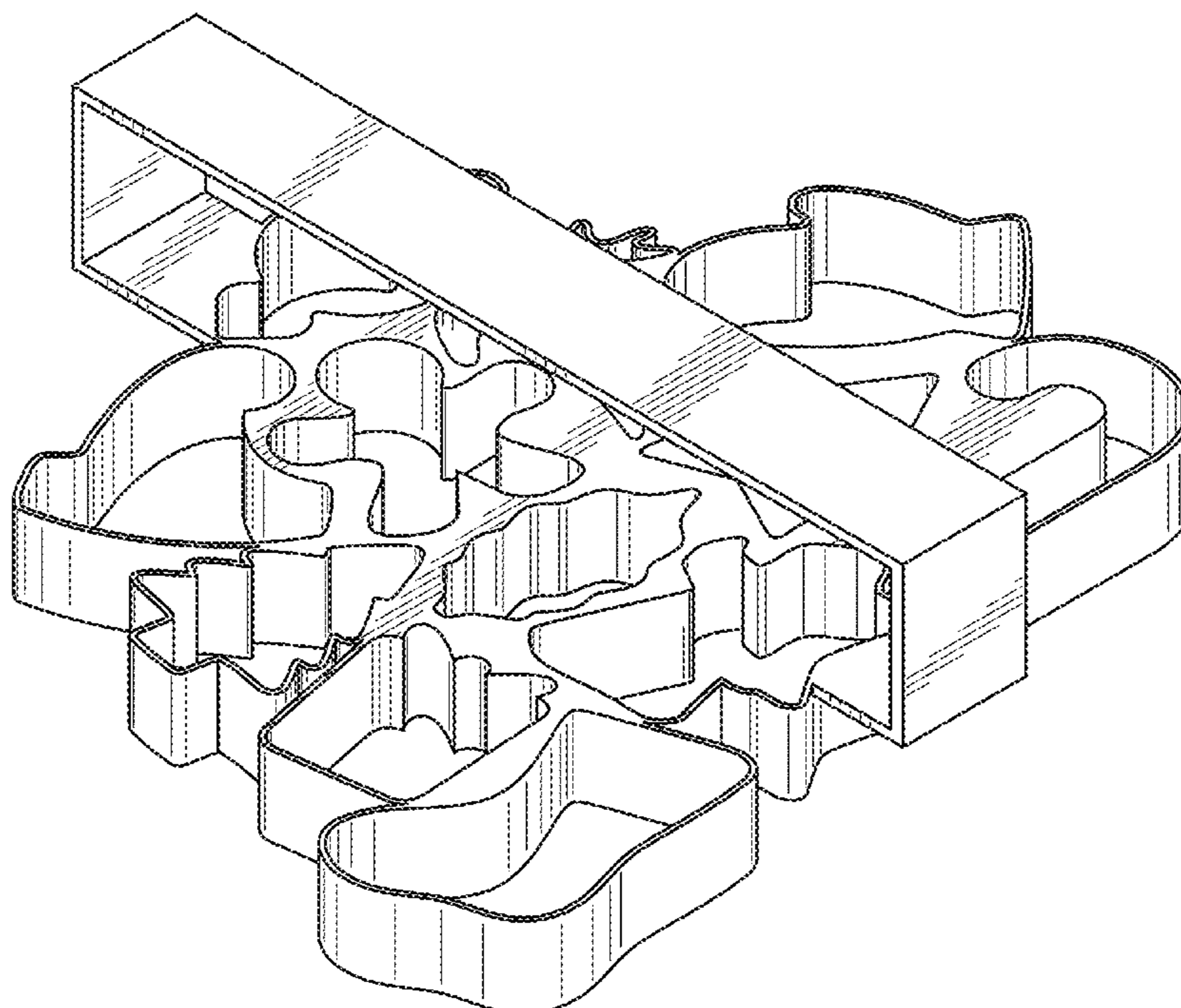
(57) **CLAIM**

The ornamental design for a cookie cutter, as shown and described.

DESCRIPTION

FIG. 1 is a front view of a cookie cutter showing my new design;
FIG. 2 is a rear view of the cookie cutter;
FIG. 3 is a right side view of the cookie cutter;
FIG. 4 is a left side view of the cookie cutter;
FIG. 5 is a top view of the cookie cutter;
FIG. 6 is a bottom view of the cookie cutter; and,
FIG. 7 is a top front side perspective view of the cookie cutter.

1 Claim, 5 Drawing Sheets



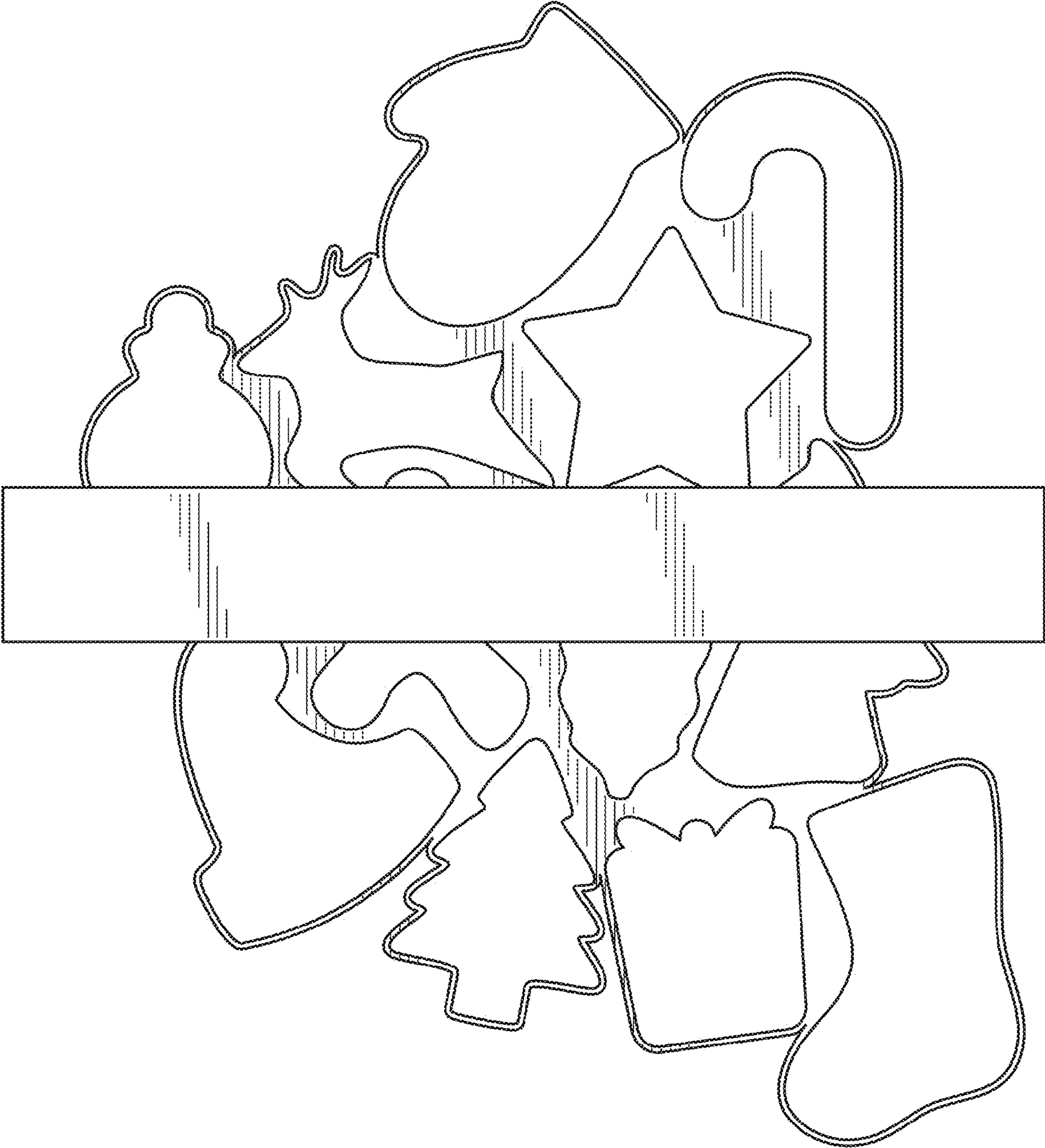


FIG. 1

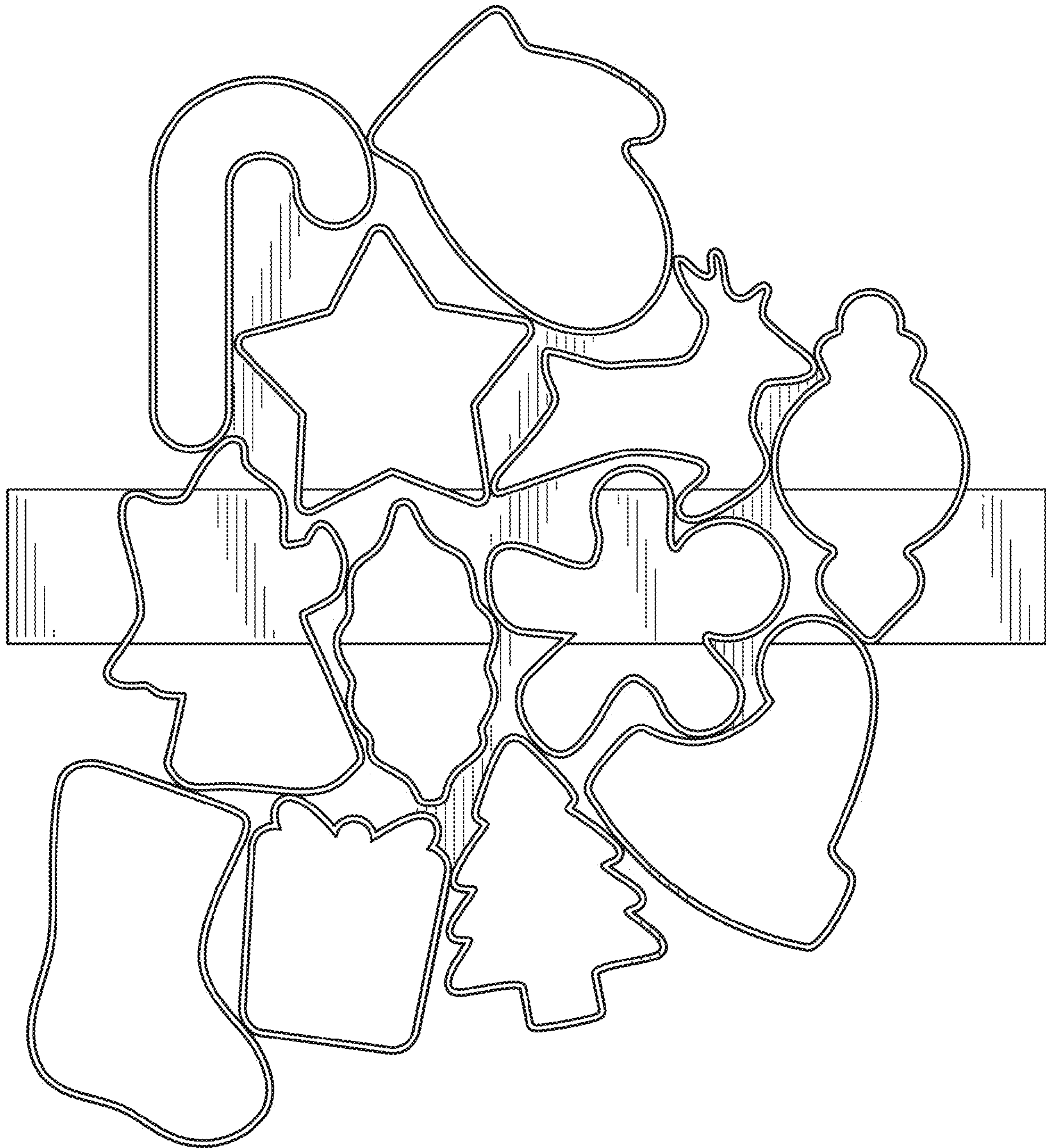


FIG. 2

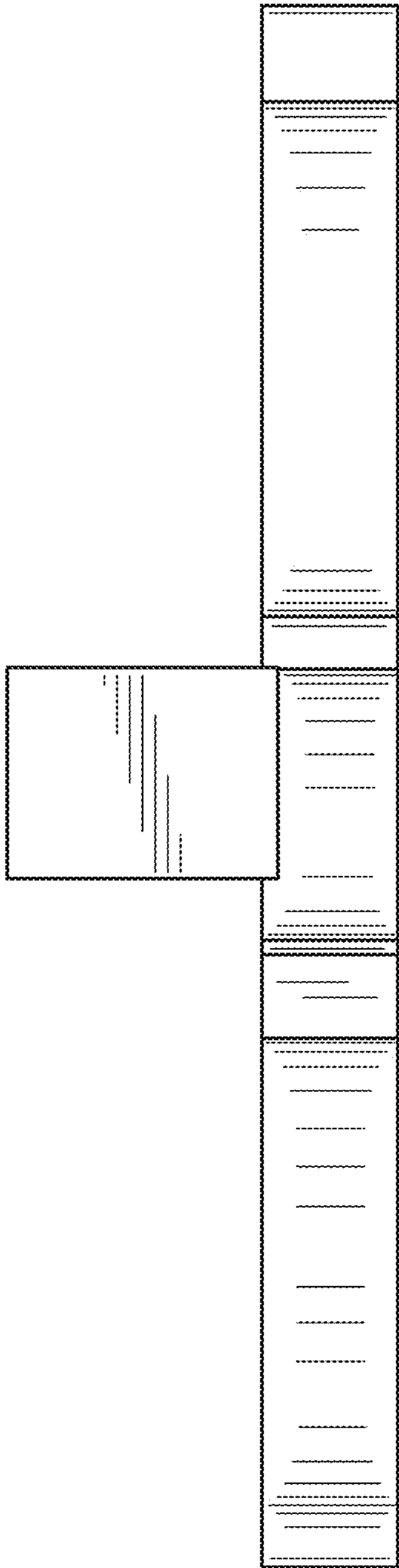


FIG. 3

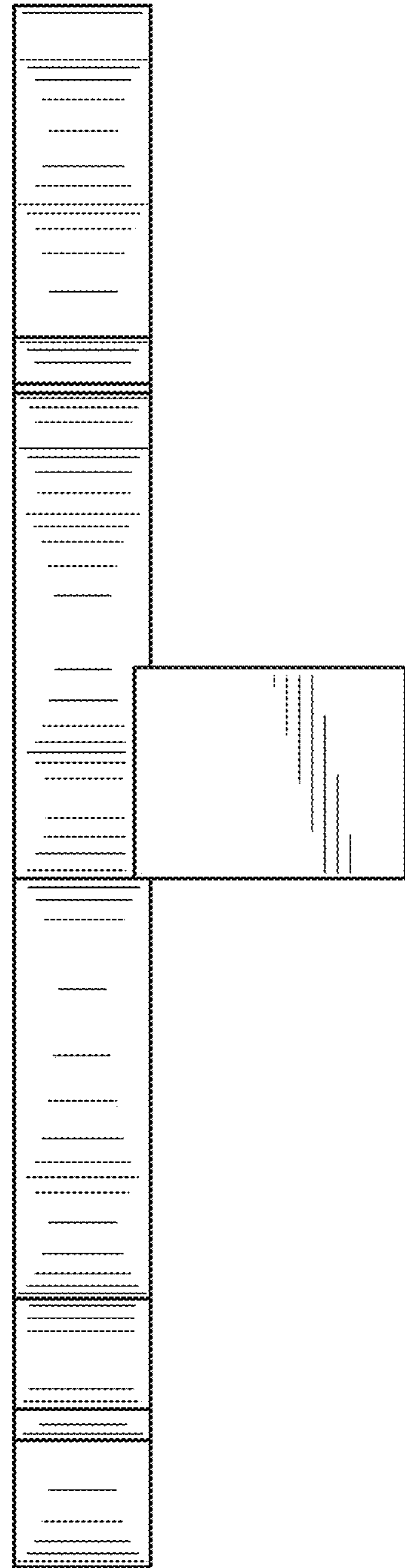


FIG. 4

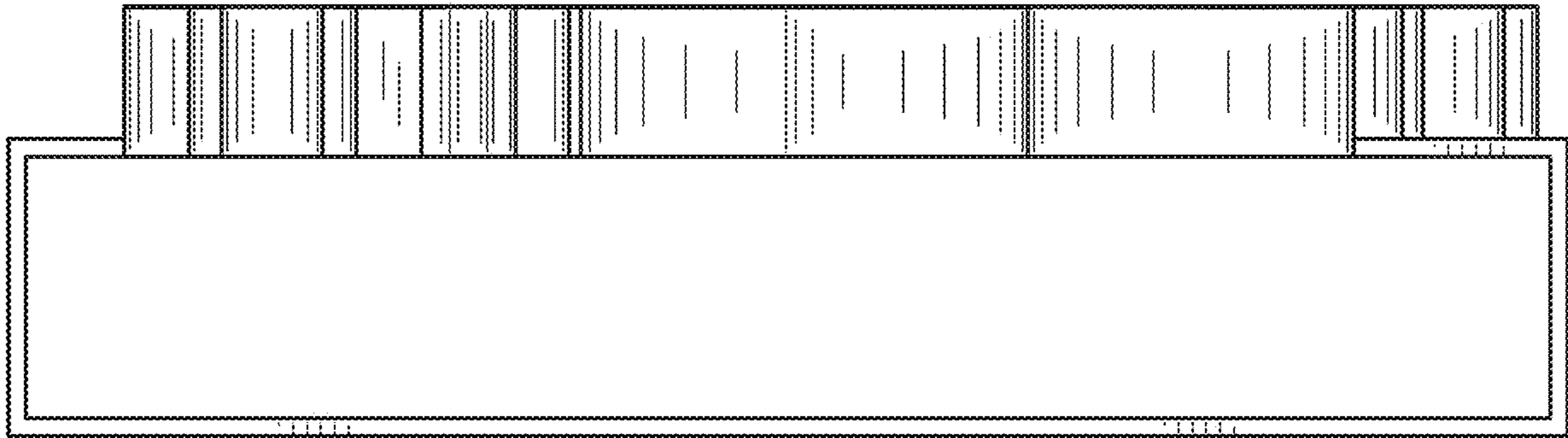


FIG. 5

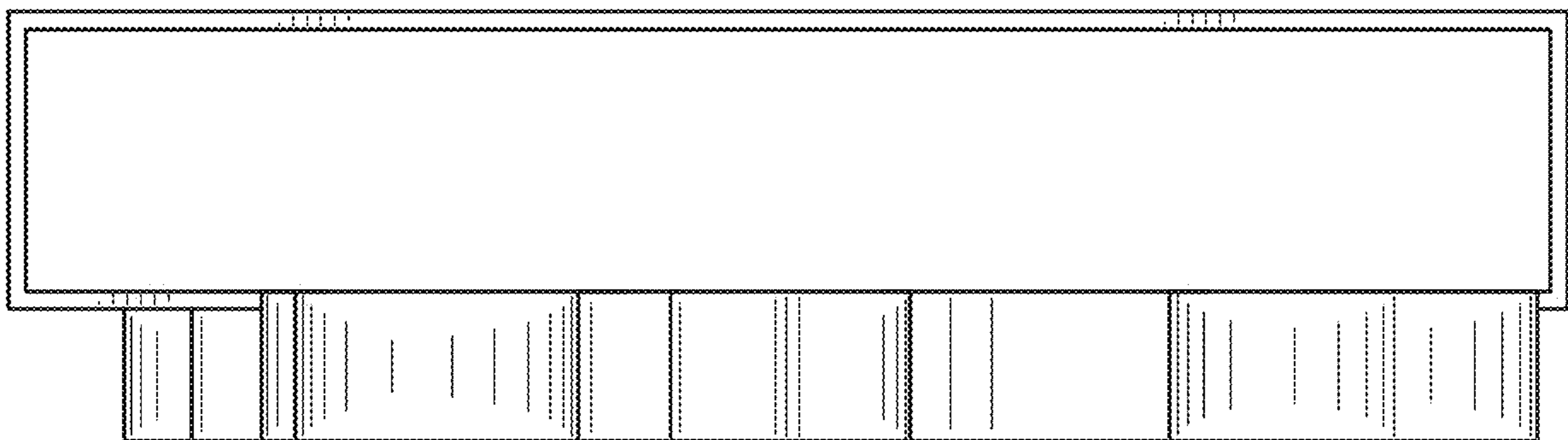


FIG. 6

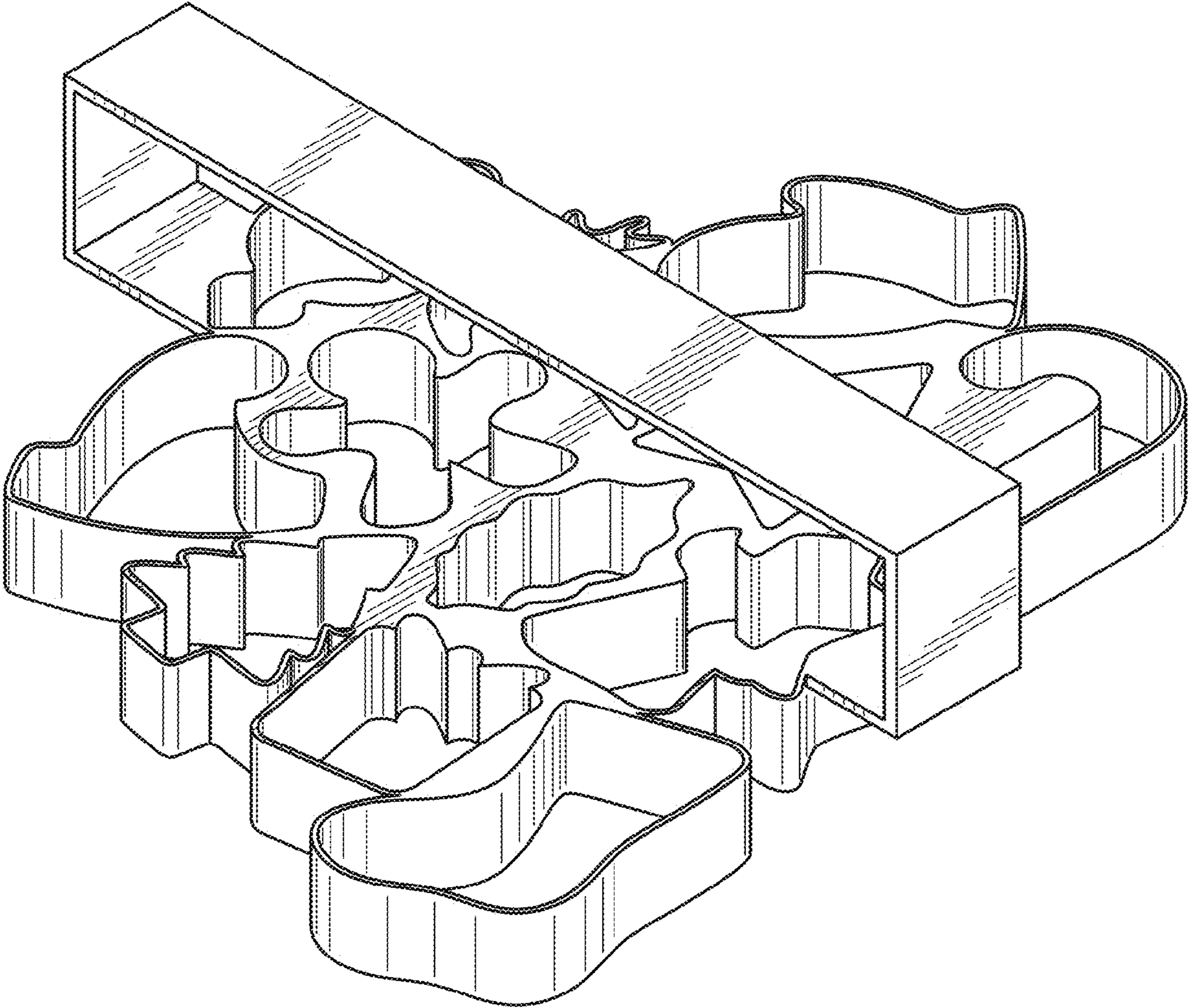


FIG. 7