



US00D915840S

(12) **United States Design Patent** (10) **Patent No.:** **US D915,840 S**
Stewart (45) **Date of Patent:** **** Apr. 13, 2021**

(54) **KITCHEN UTENSIL**
(71) Applicant: **Rachael E. Stewart**, Solon, OH (US)
(72) Inventor: **Rachael E. Stewart**, Solon, OH (US)
(**) Term: **15 Years**
(21) Appl. No.: **29/748,400**
(22) Filed: **Aug. 28, 2020**

D597,800 S * 8/2009 Goode D7/675
D597,801 S * 8/2009 Goode D7/675
D621,668 S 8/2010 Zemel
D679,961 S 4/2013 Zemel
D770,246 S * 11/2016 Repac D7/672
D770,866 S 11/2016 Bernheim
D770,867 S * 11/2016 Repac D7/672
2003/0204914 A1 11/2003 Benardeau

Related U.S. Application Data

(62) Division of application No. 29/671,864, filed on Nov. 30, 2018, now Pat. No. Des. 894,697.
(51) **LOC (13) Cl.** **07-04**
(52) **U.S. Cl.**
USPC **D7/672**
(58) **Field of Classification Search**
USPC D7/672-677, 680-696
CPC A47J 43/20; A21C 11/106; A21C 15/04;
B26D 1/00; B26D 1/01; B26D 3/26;
B26B 3/04
See application file for complete search history.

OTHER PUBLICATIONS

Nash, M.O., Tart Cutter, U.S. Pat. No. 388,904 issued Sep. 4, 1888.

* cited by examiner

Primary Examiner — Terry A Wallace

(74) *Attorney, Agent, or Firm* — Matthew G. McKinney, Esq.; Allen, Dyer et al.

(57) **CLAIM**

The ornamental design for kitchen utensil, as shown and described.

DESCRIPTION

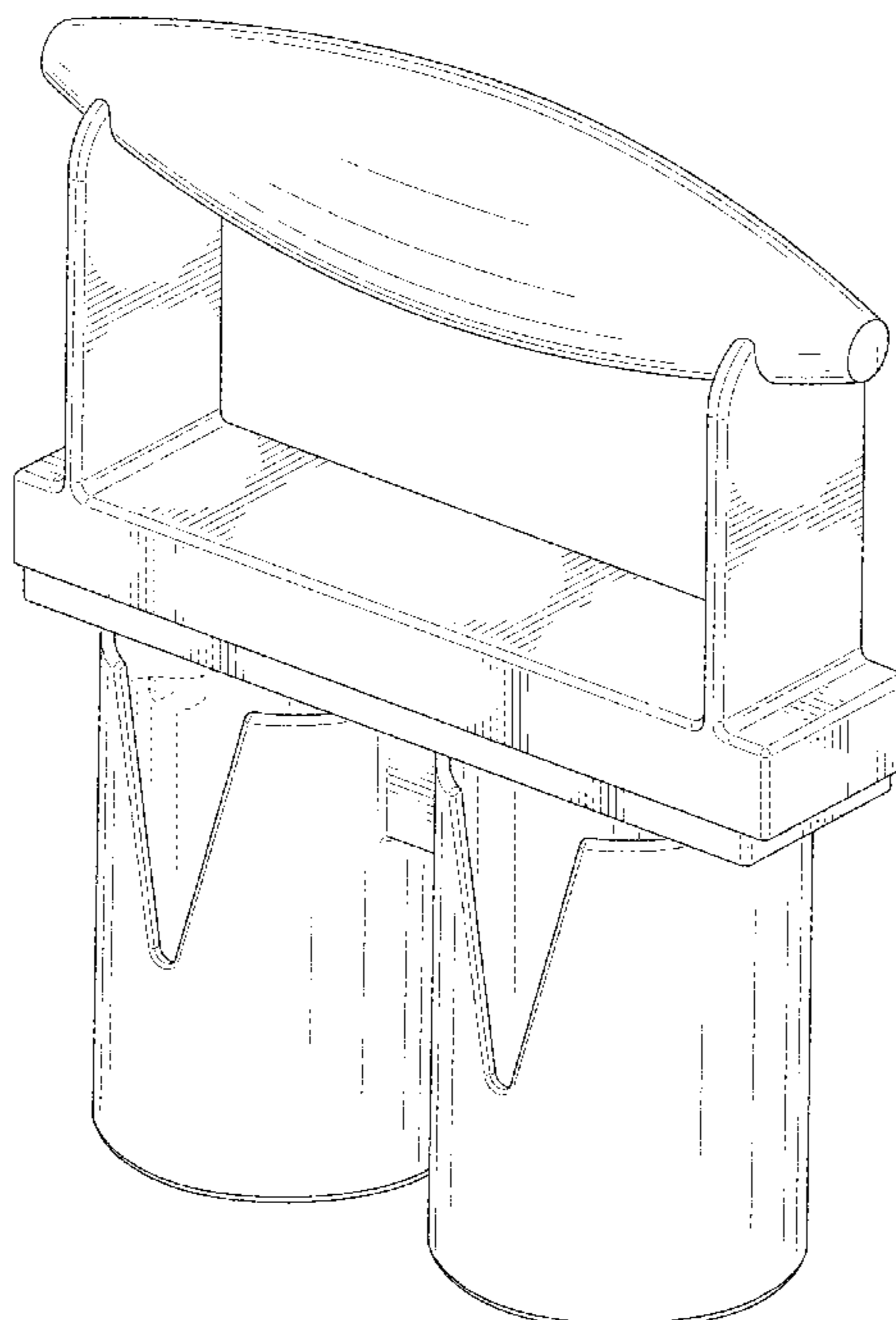
FIG. 1 is a top perspective view of a kitchen utensil; FIG. 2 is a front elevational view of the kitchen utensil; FIG. 3 is a rear elevational view of the kitchen utensil; FIG. 4 is a left side view of the kitchen utensil; FIG. 5 is a right side view of the kitchen utensil; FIG. 6 is a top view of the kitchen utensil; and, FIG. 7 is a bottom view of the kitchen utensil. The broken lines are for illustrative purposes only and form no part of the claimed design.

(56) **References Cited**

U.S. PATENT DOCUMENTS

388,904 A * 9/1888 Nash A21C 11/106
30/301
1,978,532 A 10/1934 Gurnee
2,665,649 A * 1/1954 Cesare A21C 9/066
425/299
2,695,450 A 11/1954 Platts
4,245,973 A * 1/1981 Greaney A47J 43/282
249/117
4,606,123 A 8/1986 Wrench
D597,799 S * 8/2009 Goode D7/672

1 Claim, 5 Drawing Sheets



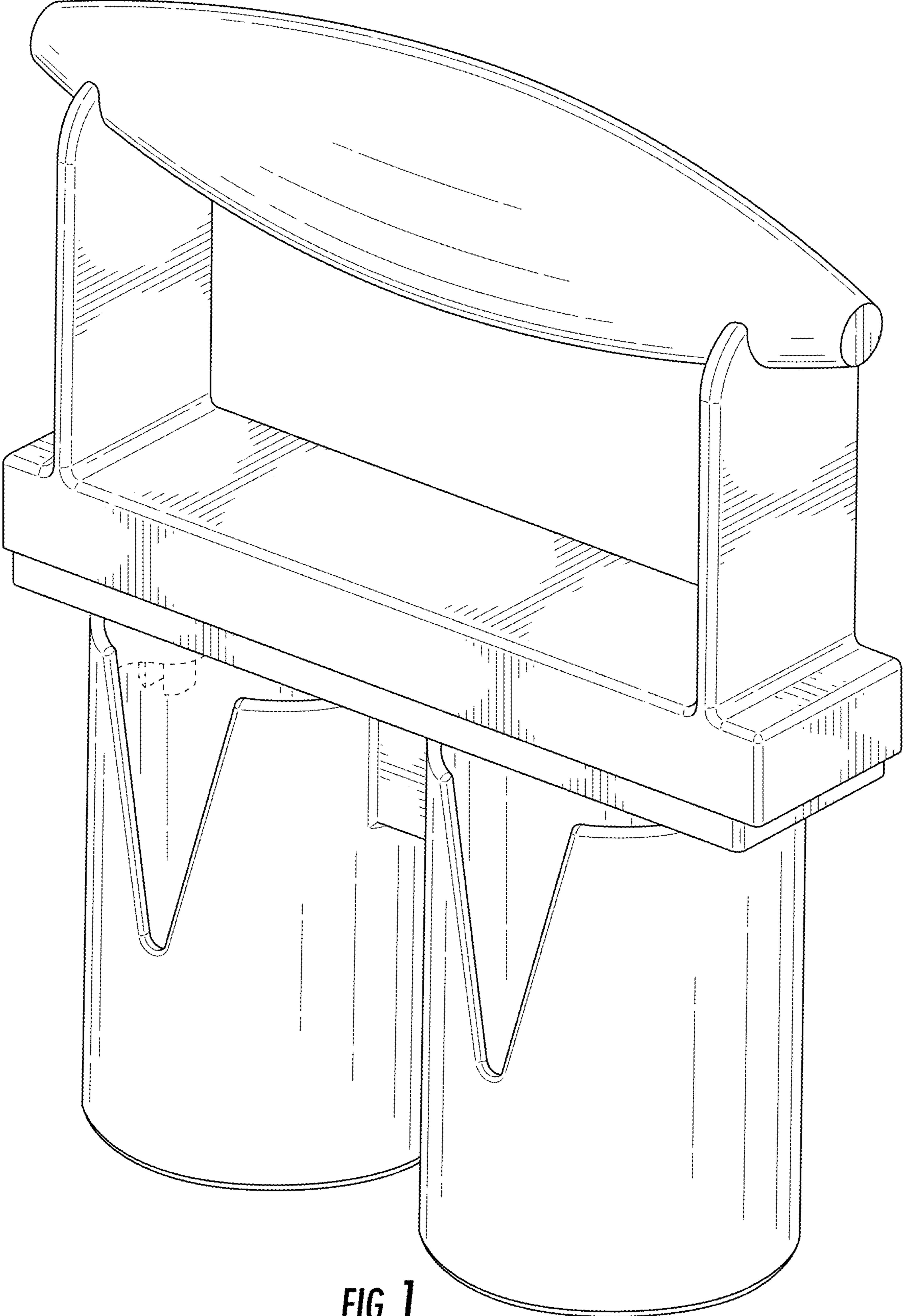


FIG. 1

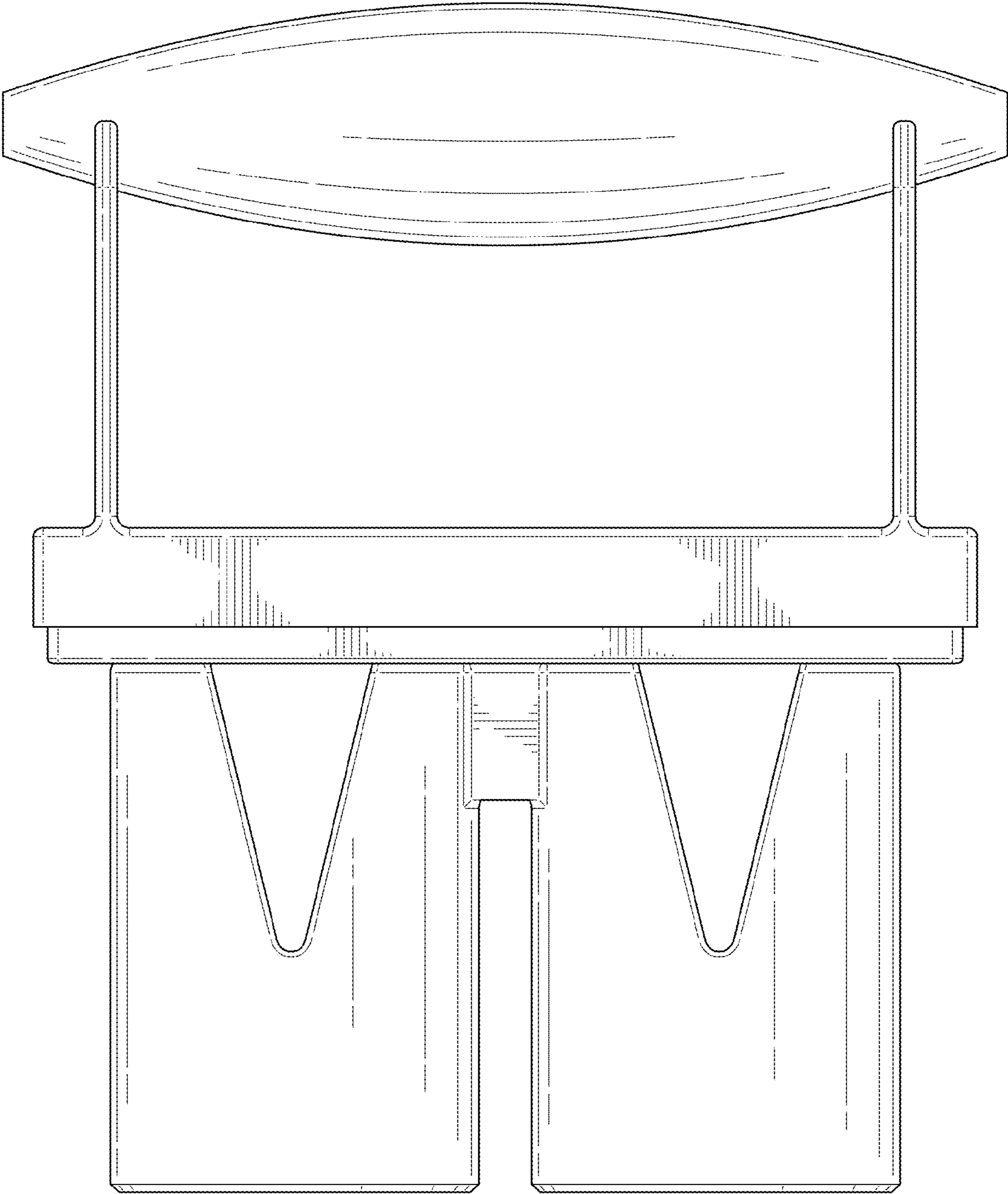


FIG. 2

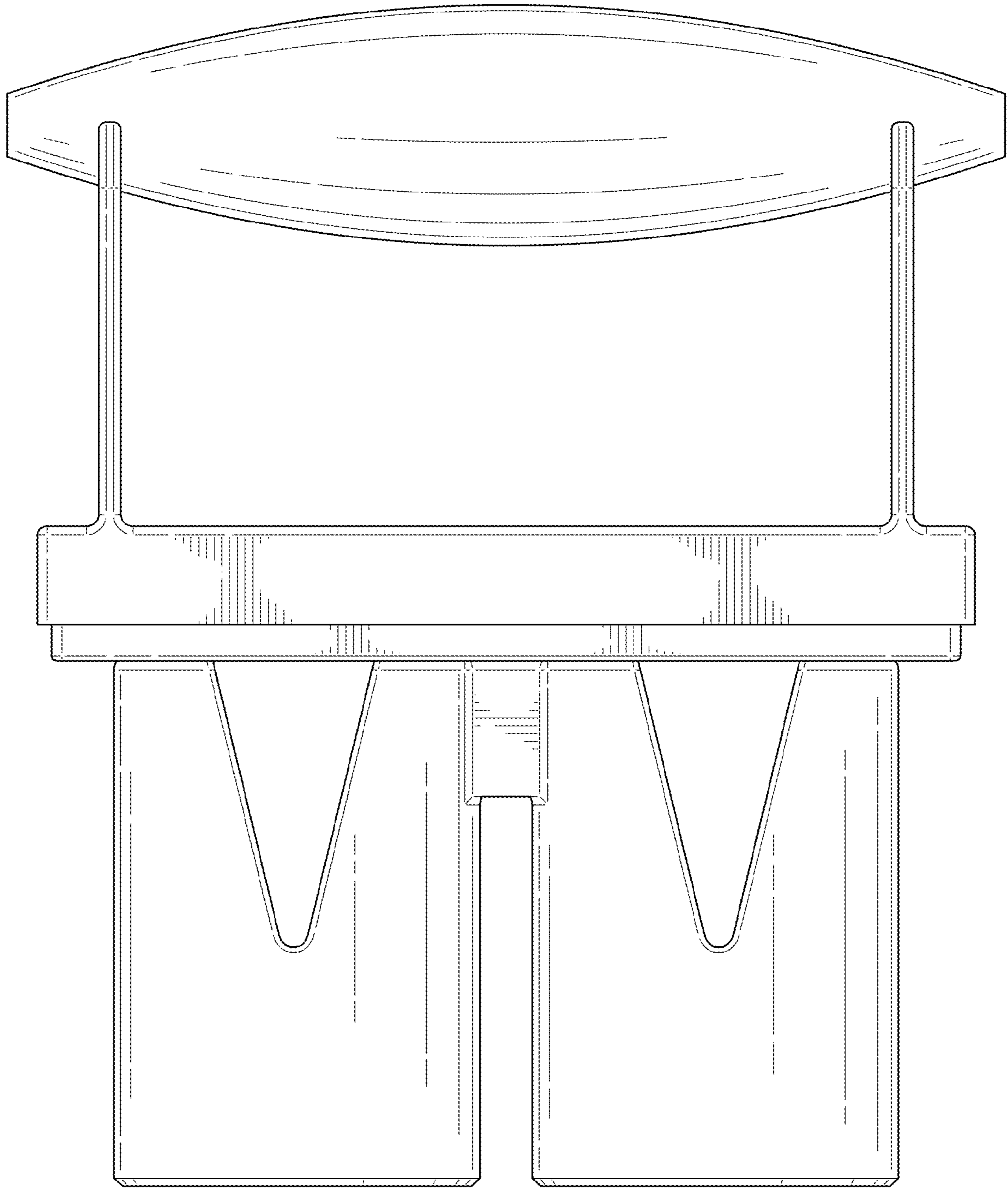


FIG. 3

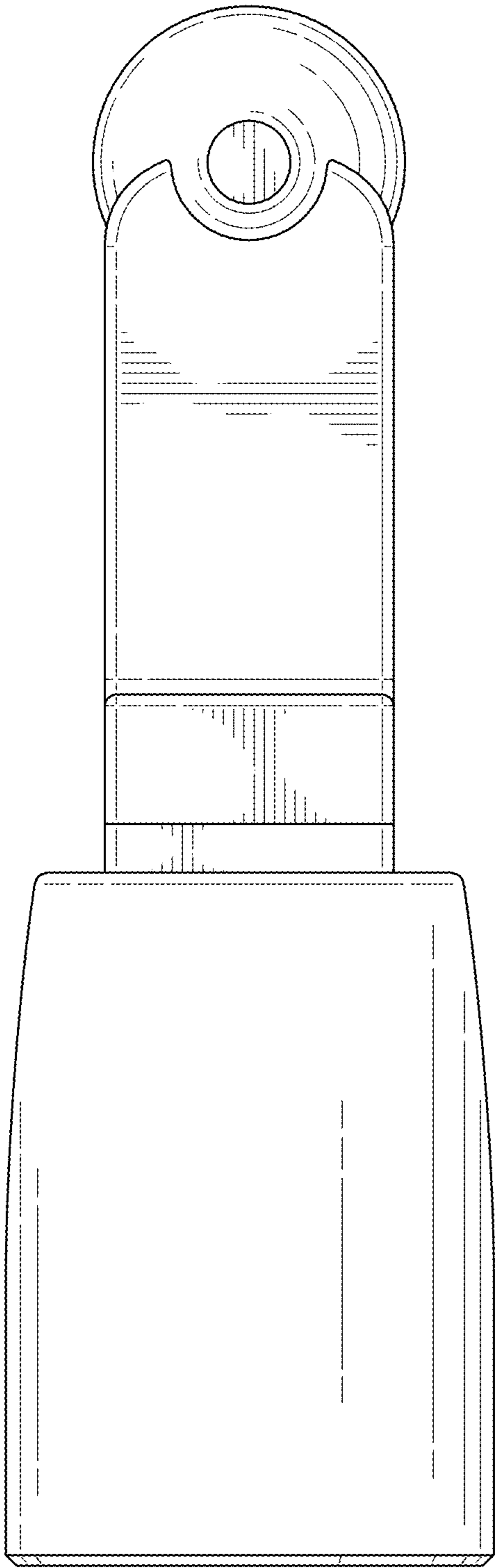


FIG. 4

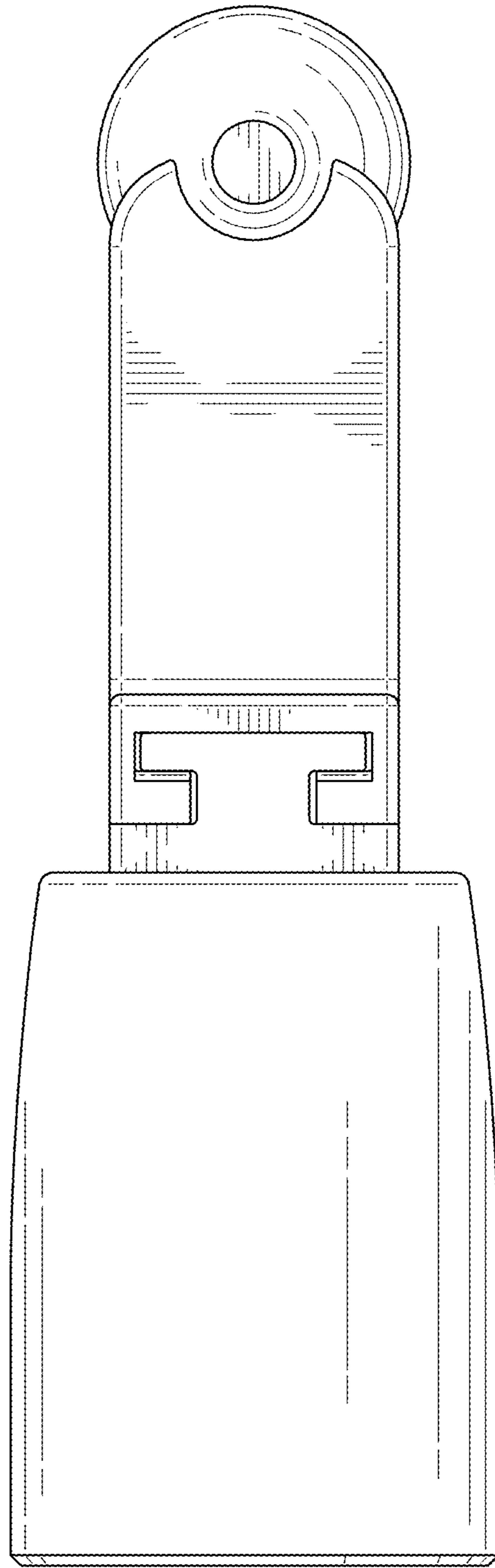


FIG. 5

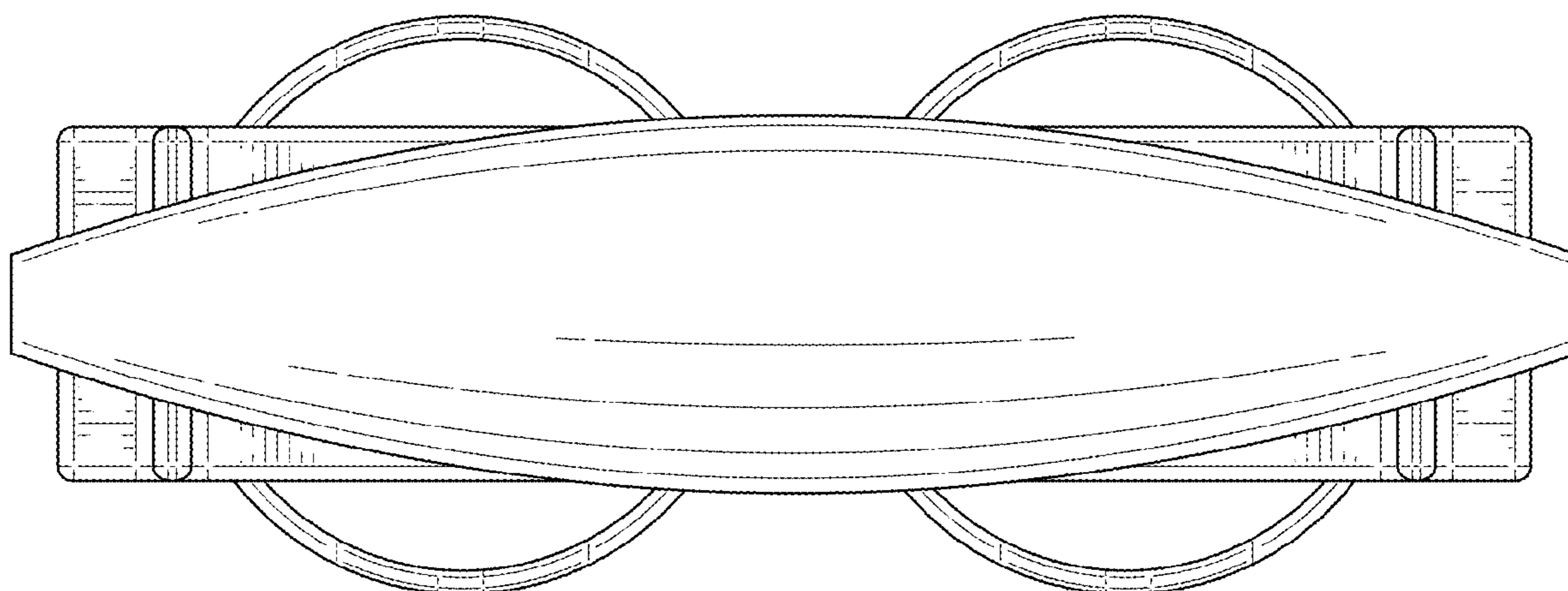


FIG. 6

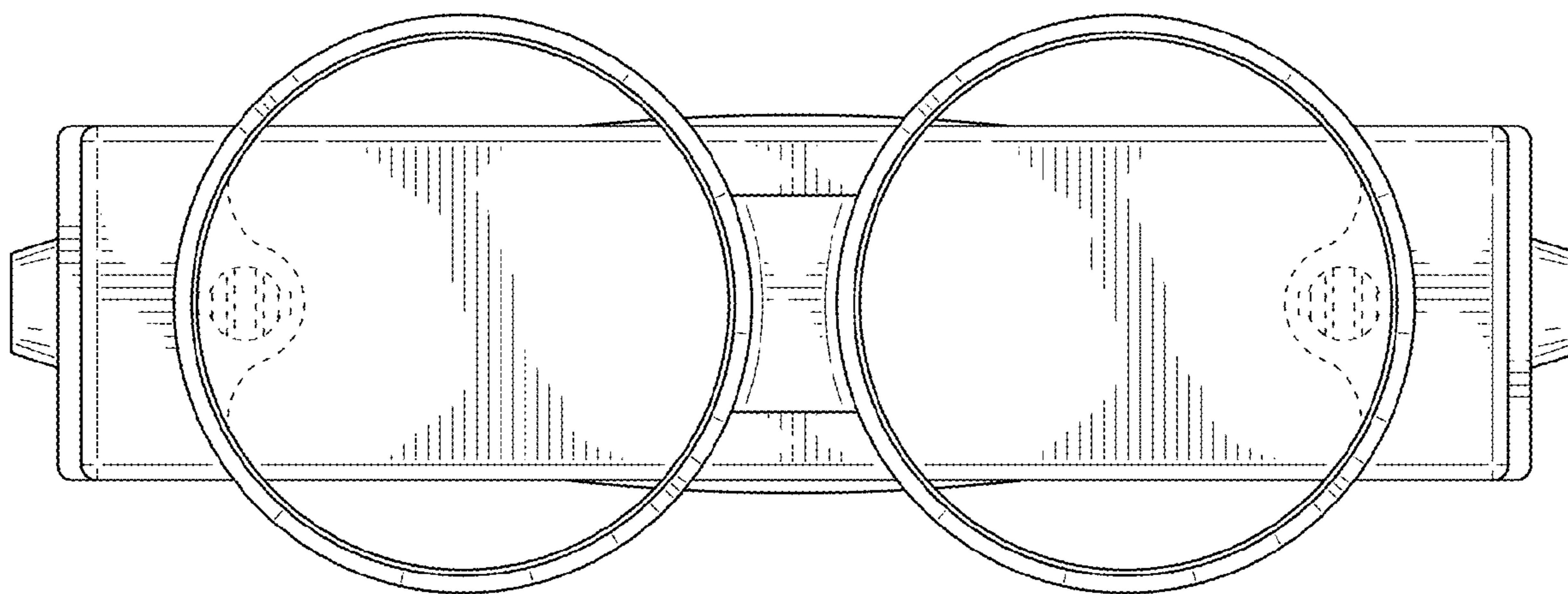


FIG. 7