



US00D915838S

(12) **United States Design Patent** (10) **Patent No.:** **US D915,838 S**
Wu (45) **Date of Patent:** **** Apr. 13, 2021**

(54) **GARLIC PRESS**
(71) Applicant: **Weicai Wu**, Wuchuan (CN)
(72) Inventor: **Weicai Wu**, Wuchuan (CN)
(**) Term: **15 Years**
(21) Appl. No.: **29/747,681**
(22) Filed: **Aug. 24, 2020**
(51) **LOC (13) Cl.** **07-04**
(52) **U.S. Cl.**
USPC **D7/666**
(58) **Field of Classification Search**
USPC D7/665-668, 368, 669
CPC A47J 19/005; A47J 19/06; A47J 19/04;
A47J 19/00; A47J 43/286; B30B 9/04
See application file for complete search history.

(56) **References Cited**
U.S. PATENT DOCUMENTS
4,069,752 A * 1/1978 Ahner A47J 19/06
100/112
4,466,346 A * 8/1984 Gemelli A47J 19/06
100/112
4,545,299 A * 10/1985 Ahner A47J 19/02
100/112

5,101,720 A * 4/1992 Bianchi A47J 19/06
100/112
D608,604 S 1/2010 Griffith
8,534,190 B2 * 9/2013 Ericsson A47J 19/06
100/234

* cited by examiner

Primary Examiner — Terry A Wallace

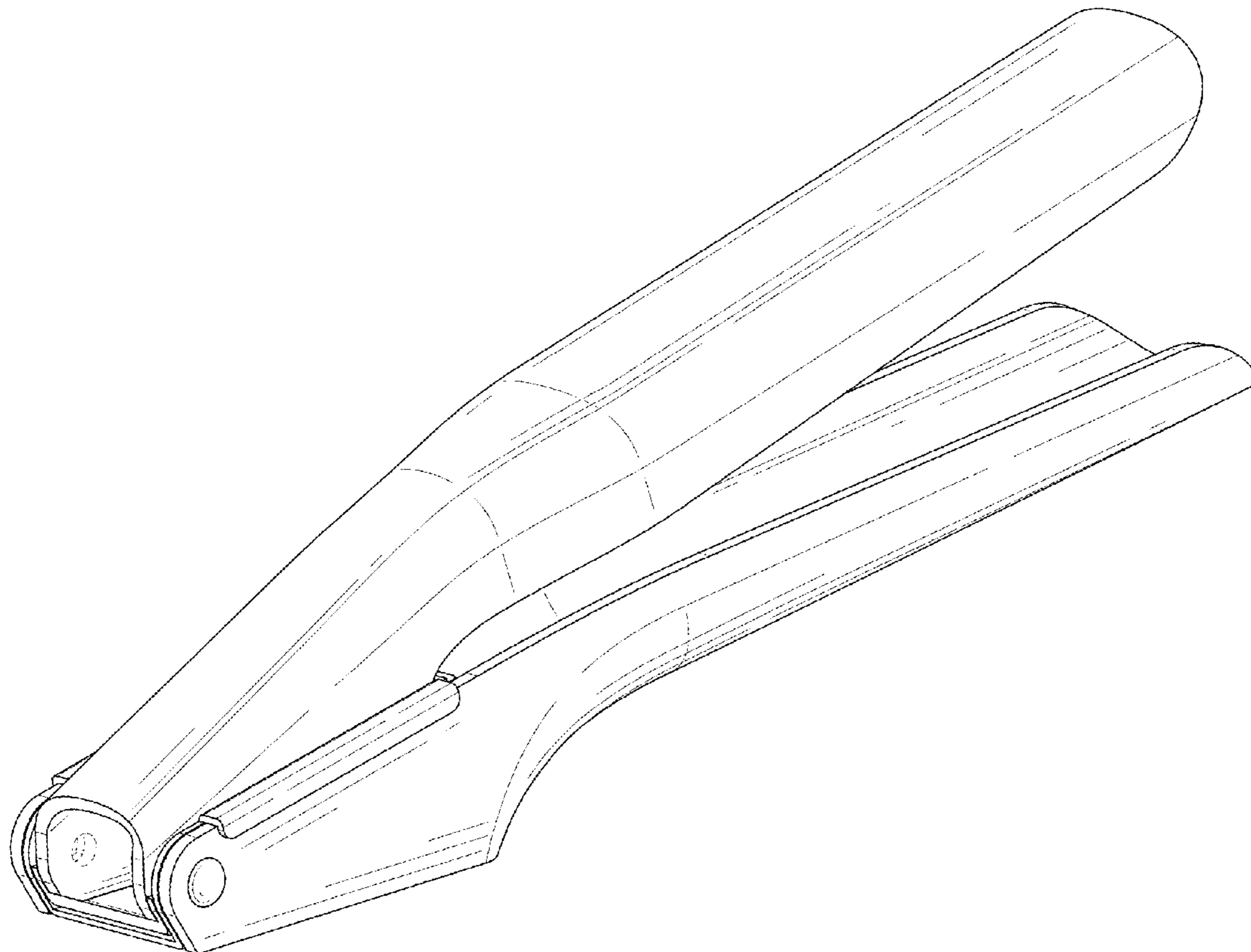
(57) **CLAIM**

The ornamental design for a garlic press, as shown and described.

DESCRIPTION

FIG. 1 is a front and top perspective view of a garlic press, showing my new design;
FIG. 2 is a rear and bottom perspective view thereof;
FIG. 3 is a front elevational view thereof;
FIG. 4 is a rear elevational view thereof;
FIG. 5 is a left side elevational view thereof;
FIG. 6 is a right side elevational view thereof;
FIG. 7 is a top plan view thereof;
FIG. 8 is a bottom plan view thereof; and,
FIG. 9 is a perspective view thereof, showing the garlic press in an unfolded position.
The broken lines in the figures illustrate portions of the article that form no part of the claimed design.

1 Claim, 9 Drawing Sheets



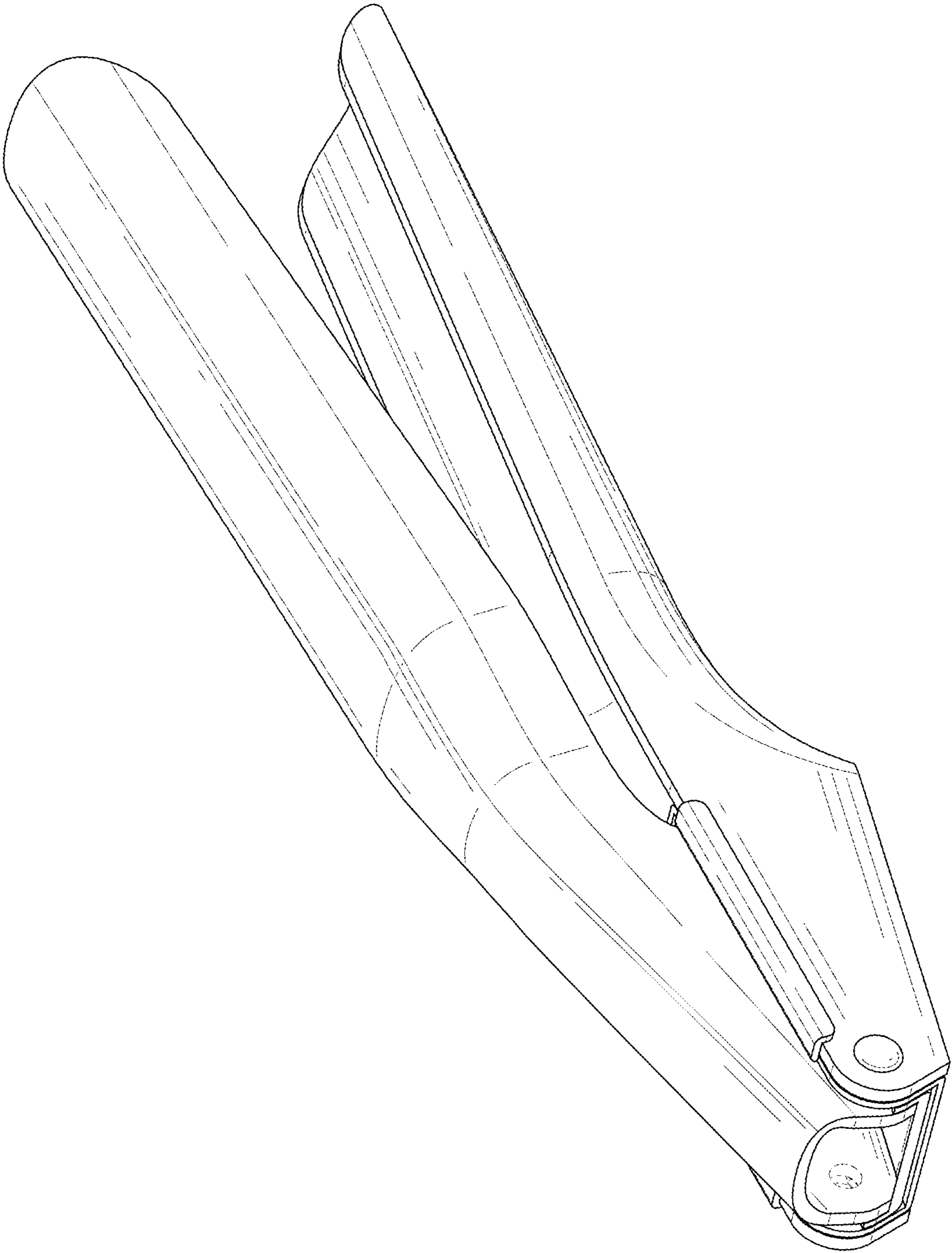


FIG. 1

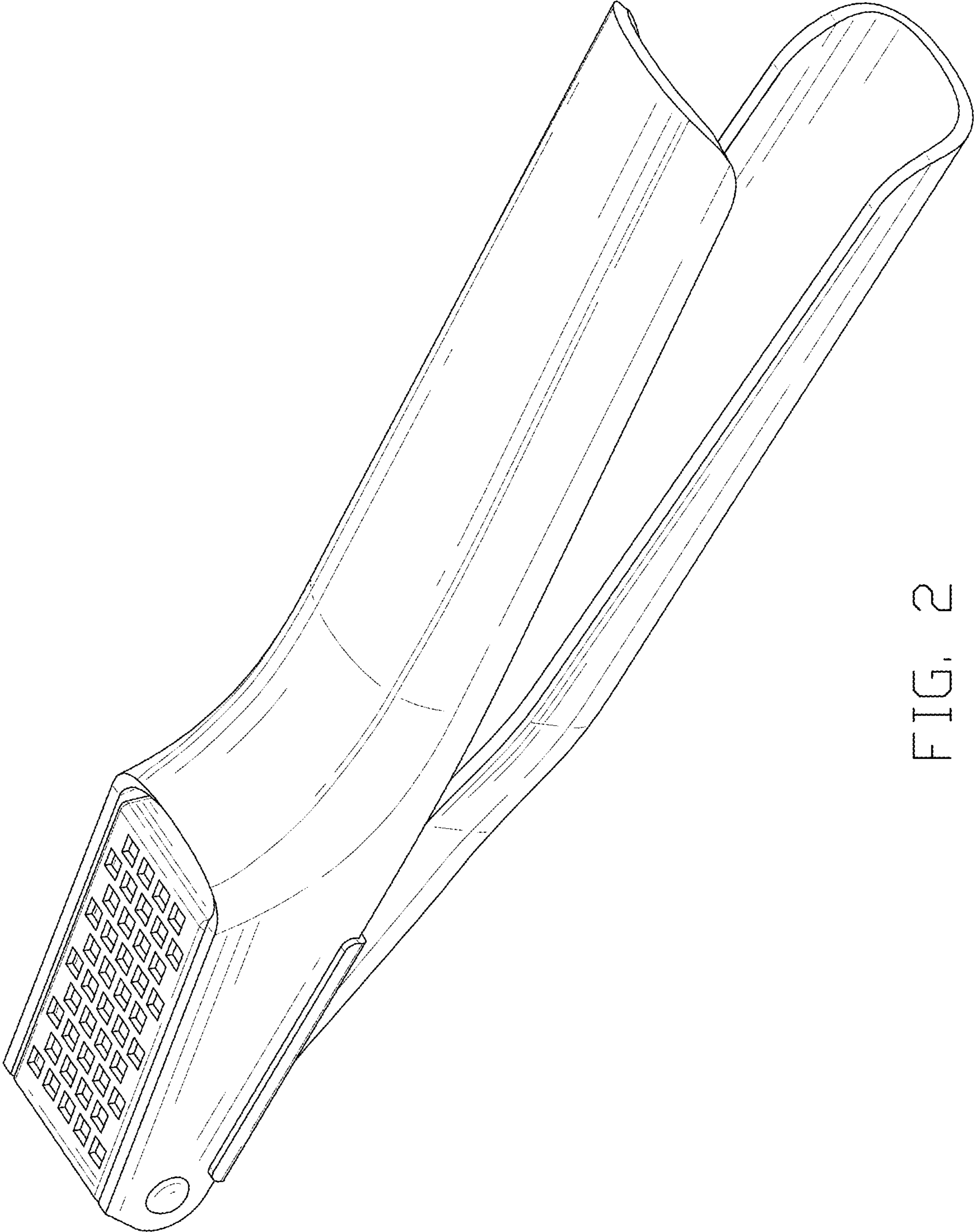


FIG. 2

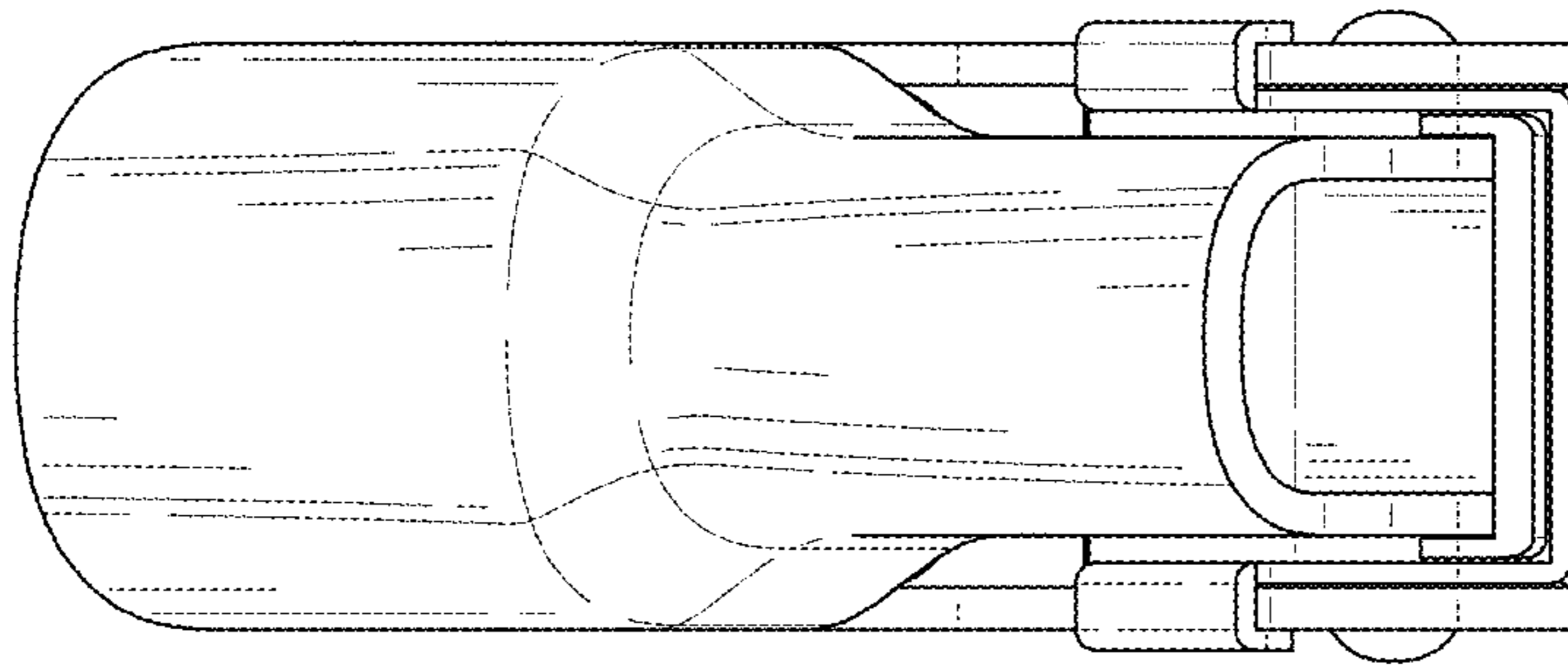


FIG. 3

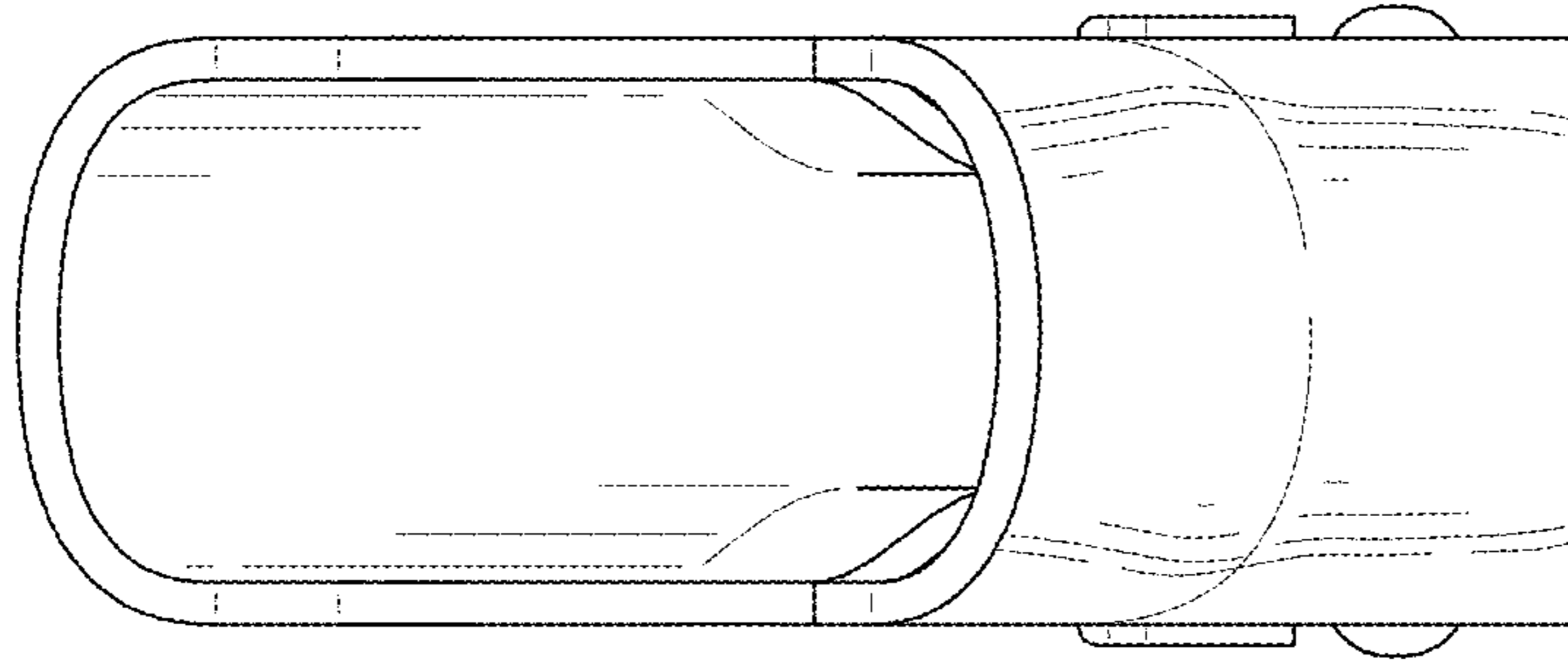


FIG. 4

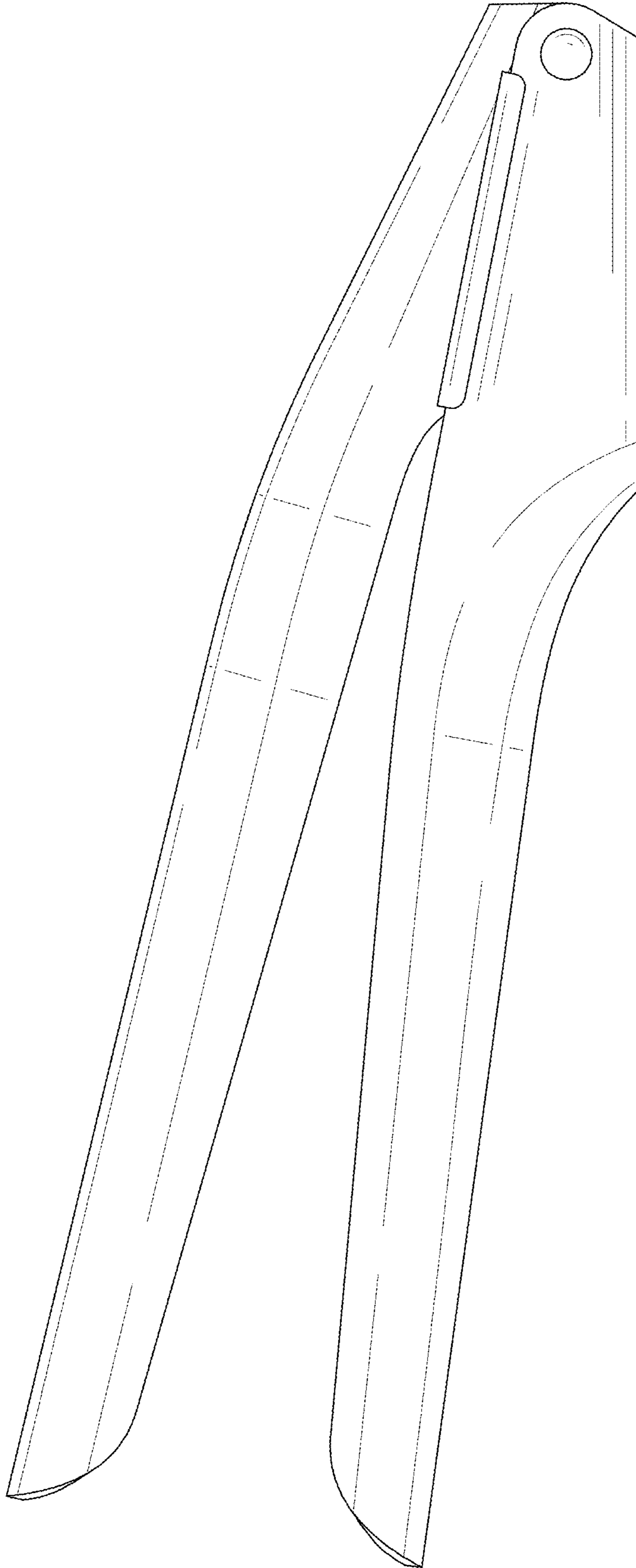


FIG. 5

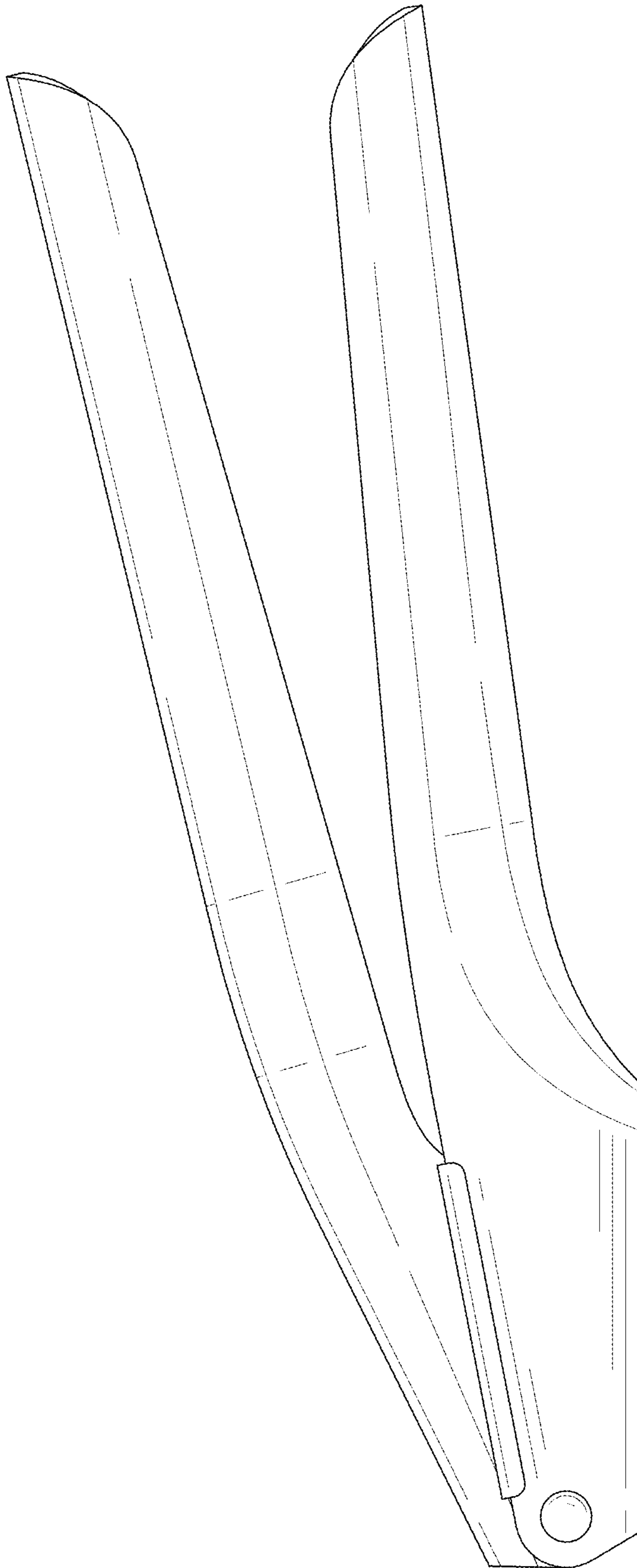


FIG. 6

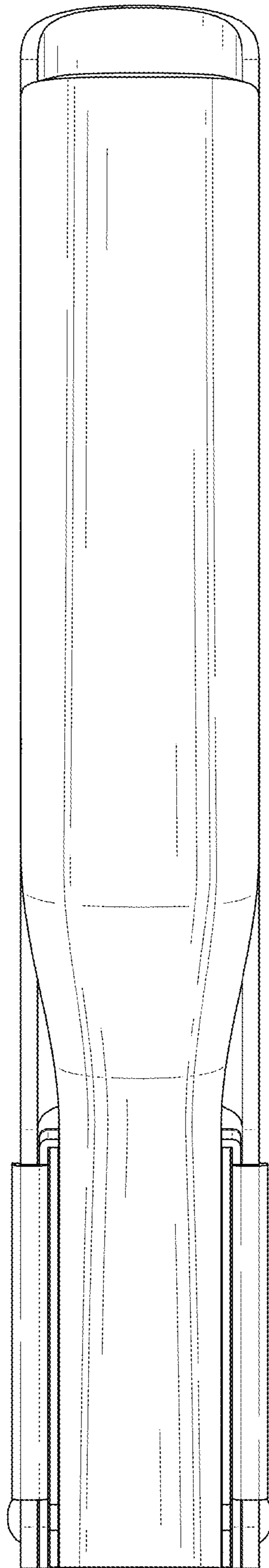


FIG. 7

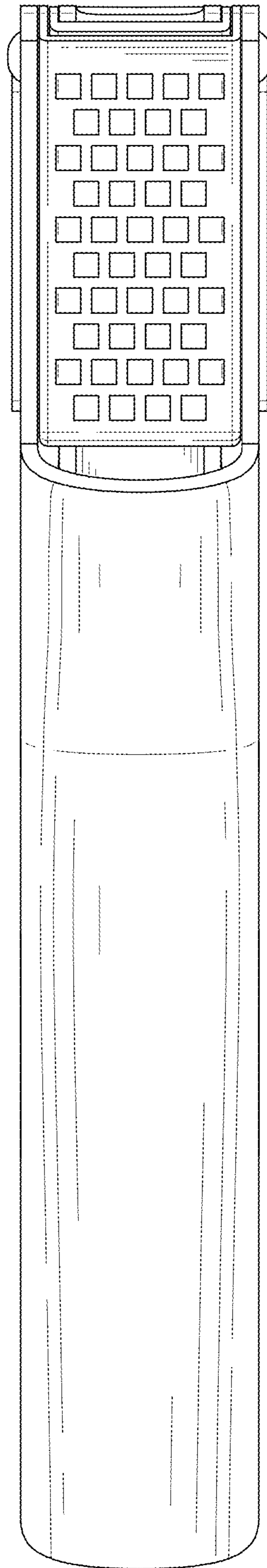


FIG. 8

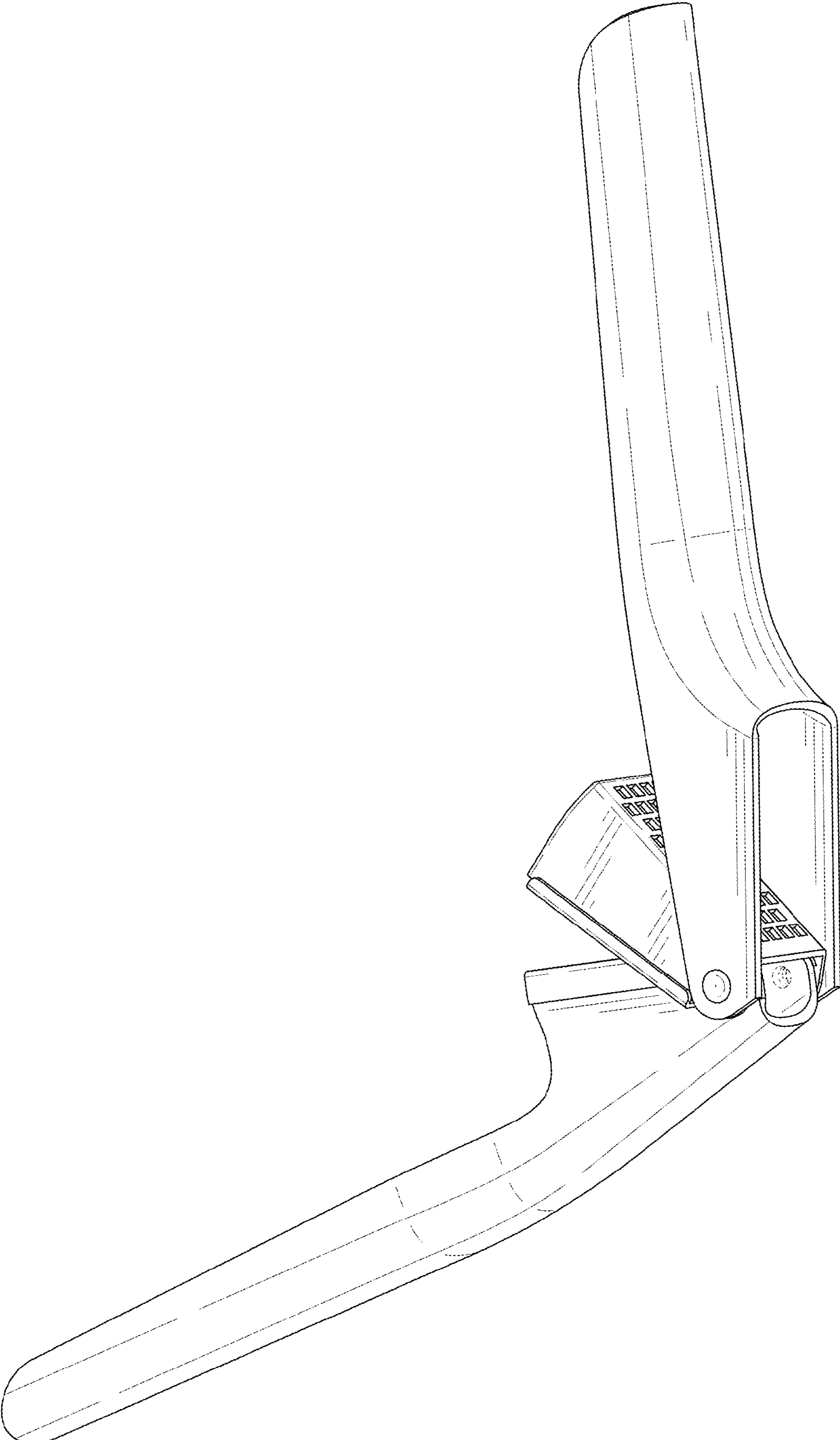


FIG. 9