



US00D915829S

(12) **United States Design Patent** (10) **Patent No.:** **US D915,829 S**  
**Cloutier et al.** (45) **Date of Patent:** **\*\* Apr. 13, 2021**

(54) **FOOD SERVING TRAYS**

*Primary Examiner* — Kelley A Donnelly

(71) Applicant: **Magellan Home-Goods, Ltd.**, Blaine, WA (US)

(74) *Attorney, Agent, or Firm* — Schacht Law Office, Inc.; Dwayne Rogge

(72) Inventors: **Andre Dean Cloutier**, Blaine, WA (US); **Debra Lynne Sasken-Duff**, Blaine, WA (US)

(57) **CLAIM**

The ornamental design for food serving trays, as shown and described.

(73) Assignee: **Magellan Home-Goods, Ltd.**, Blaine, WA (US)

(\*\*) Term: **15 Years**

**DESCRIPTION**

(21) Appl. No.: **29/699,476**

FIG. 1 is a top isometric view of the food serving trays showing our new design.

(22) Filed: **Jul. 25, 2019**

FIG. 2 is a top isometric view of a serving tray component of the food serving trays.

(51) **LOC (13) Cl.** ..... **07-01**

FIG. 3 is a first side view thereof.

(52) **U.S. Cl.**

FIG. 4 is a second side view thereof.

USPC ..... **D7/554.3**

FIG. 5 is a rear view thereof.

(58) **Field of Classification Search**

FIG. 6 is a front view thereof.

USPC ..... D7/500, 505, 538, 541, 542, 550.1, D7/552.1, 552.2, 553.1, 553.2, 553.3, D7/554.3, 601–602

FIG. 7 is top view thereof.

CPC ..... A45C 11/20; A47G 19/02; A47G 19/06; A47G 23/06; A47G 23/0608; A47G 21/08

FIG. 8 is a bottom view thereof.

See application file for complete search history.

FIG. 9 is a top isometric view of a serving insert component of the food serving trays.

(56) **References Cited**

FIG. 10 is a first side view thereof.

**U.S. PATENT DOCUMENTS**

FIG. 11 is a rear view thereof.

D284,944 S \* 8/1986 Carlson ..... D9/425

FIG. 12 is a second side view thereof.

7,131,289 B2 \* 11/2006 Harl ..... A47J 41/0044

FIG. 13 is a front view thereof.

62/457.2

FIG. 14 is top view thereof.

D596,902 S \* 7/2009 Hrovat ..... D7/550.1

FIG. 15 is a bottom view thereof.

8,006,843 B1 \* 8/2011 McFarland ..... B65D 25/30

FIG. 16 is a top isometric view of a serving panel component of the food serving trays.

206/511

FIG. 17 is a first side view thereof.

D694,593 S \* 12/2013 Shofet ..... D7/698

FIG. 18 is a second side view thereof.

D699,370 S \* 2/2014 Motadel ..... D24/229

FIG. 19 is a rear view thereof.

D709,727 S \* 7/2014 Cloutier ..... D7/363

FIG. 20 is a front view thereof.

D724,236 S \* 3/2015 Motadel ..... D24/227

FIG. 21 is top view thereof; and,

D730,127 S \* 5/2015 Maxwell ..... D7/629

FIG. 22 is a bottom view thereof.

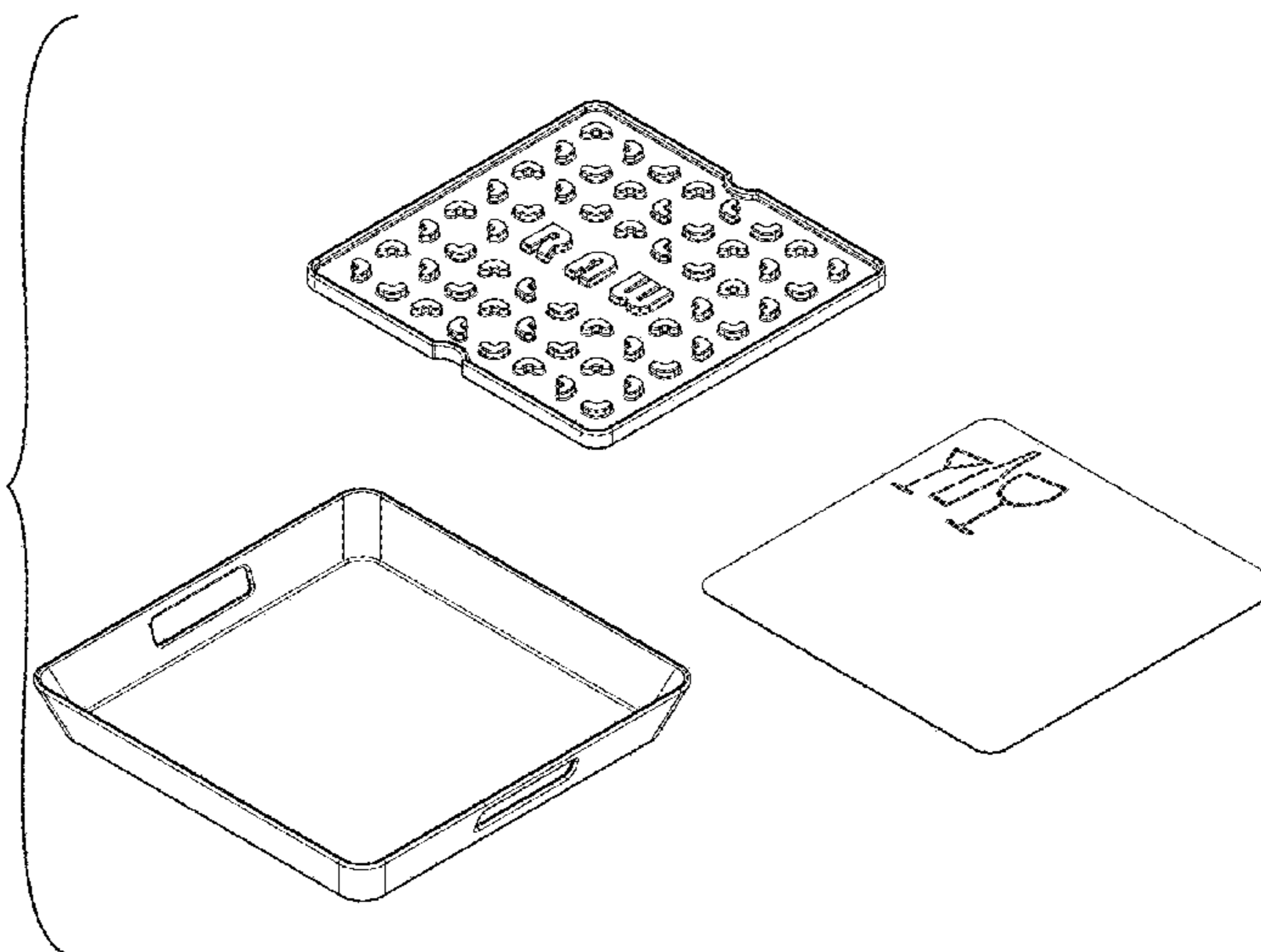
D742,736 S \* 11/2015 Snedden ..... D9/418

Broken lines shown illustrate portions of the food serving trays that form no part of the claimed design.

D744,295 S \* 12/2015 Linder ..... D7/629

(Continued)

**1 Claim, 4 Drawing Sheets**



(56)

**References Cited**

U.S. PATENT DOCUMENTS

D744,327 S \* 12/2015 Snedden ..... D9/418  
D767,783 S \* 9/2016 McClelland ..... D24/227  
D790,926 S \* 7/2017 Jones ..... A47G 23/0633  
D798,165 S \* 9/2017 Snedden ..... D9/737  
D799,340 S \* 10/2017 Shoshan ..... D9/737  
D819,409 S \* 6/2018 Newton ..... D7/554.3  
D841,401 S \* 2/2019 Jones ..... D7/554.3  
D869,088 S \* 12/2019 Kesselman ..... D27/194  
D878,161 S \* 3/2020 Kallman ..... D7/552.2

\* cited by examiner

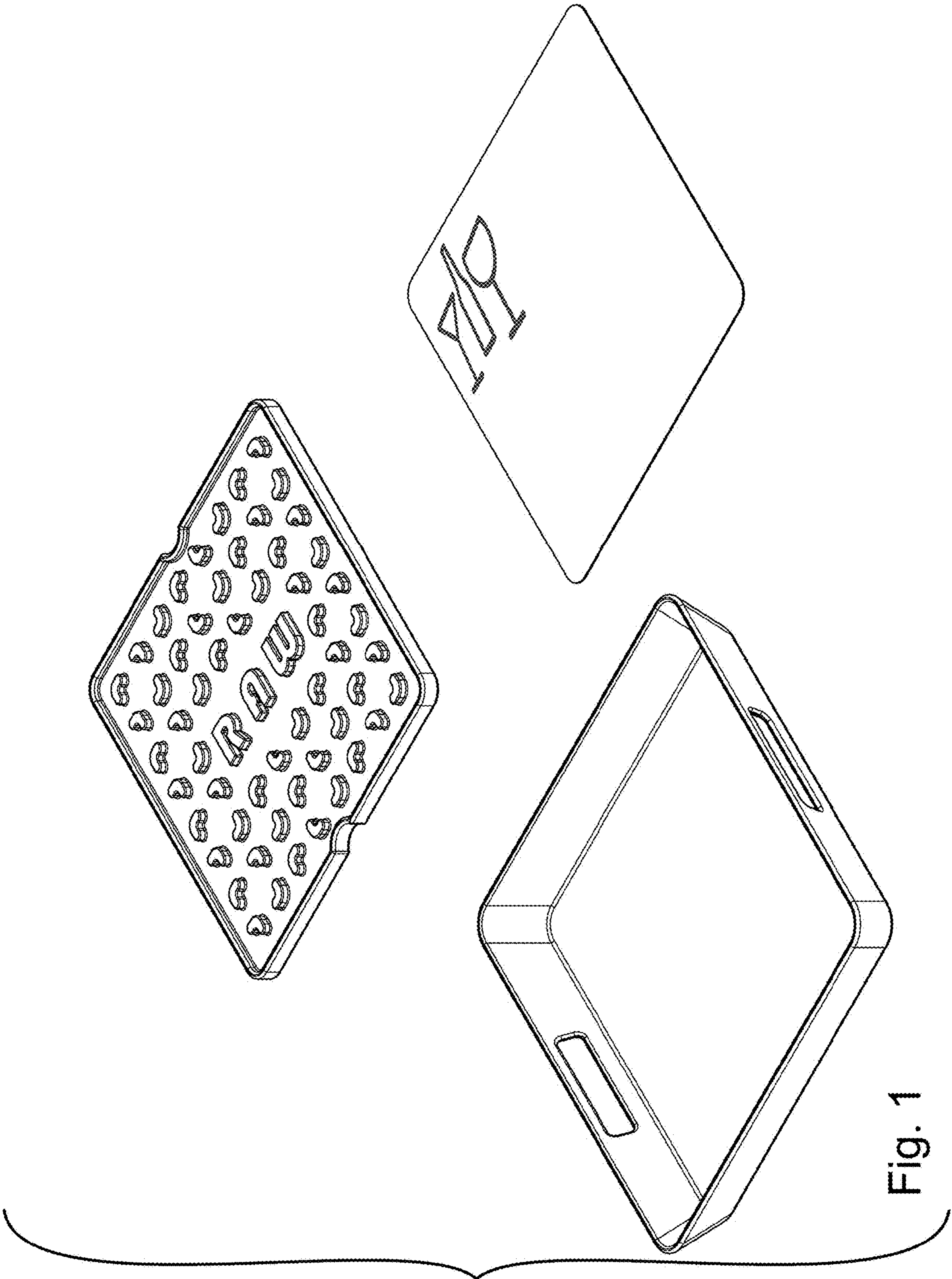


Fig. 1

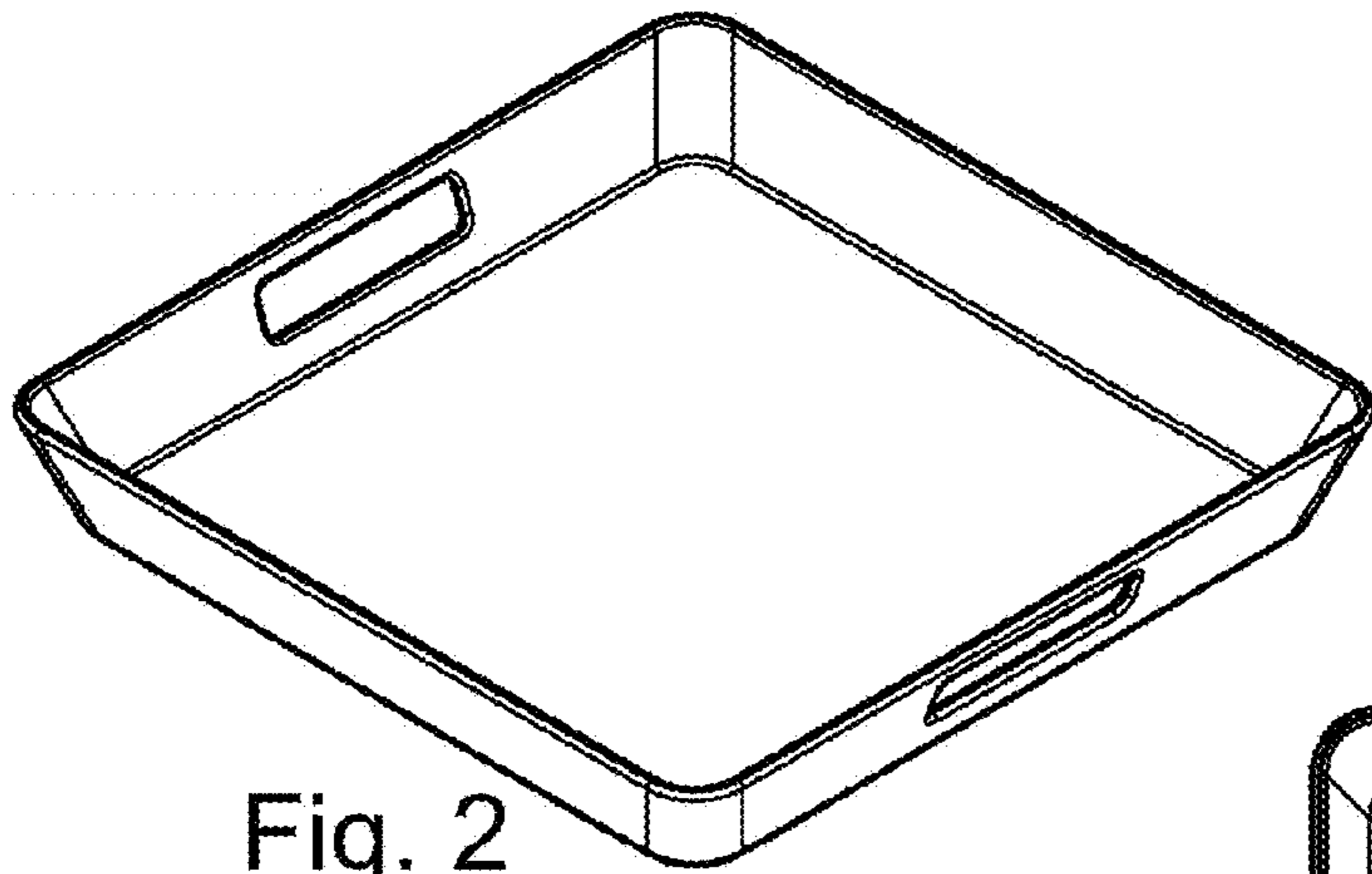


Fig. 2



Fig. 3



Fig. 4



Fig. 5



Fig. 6

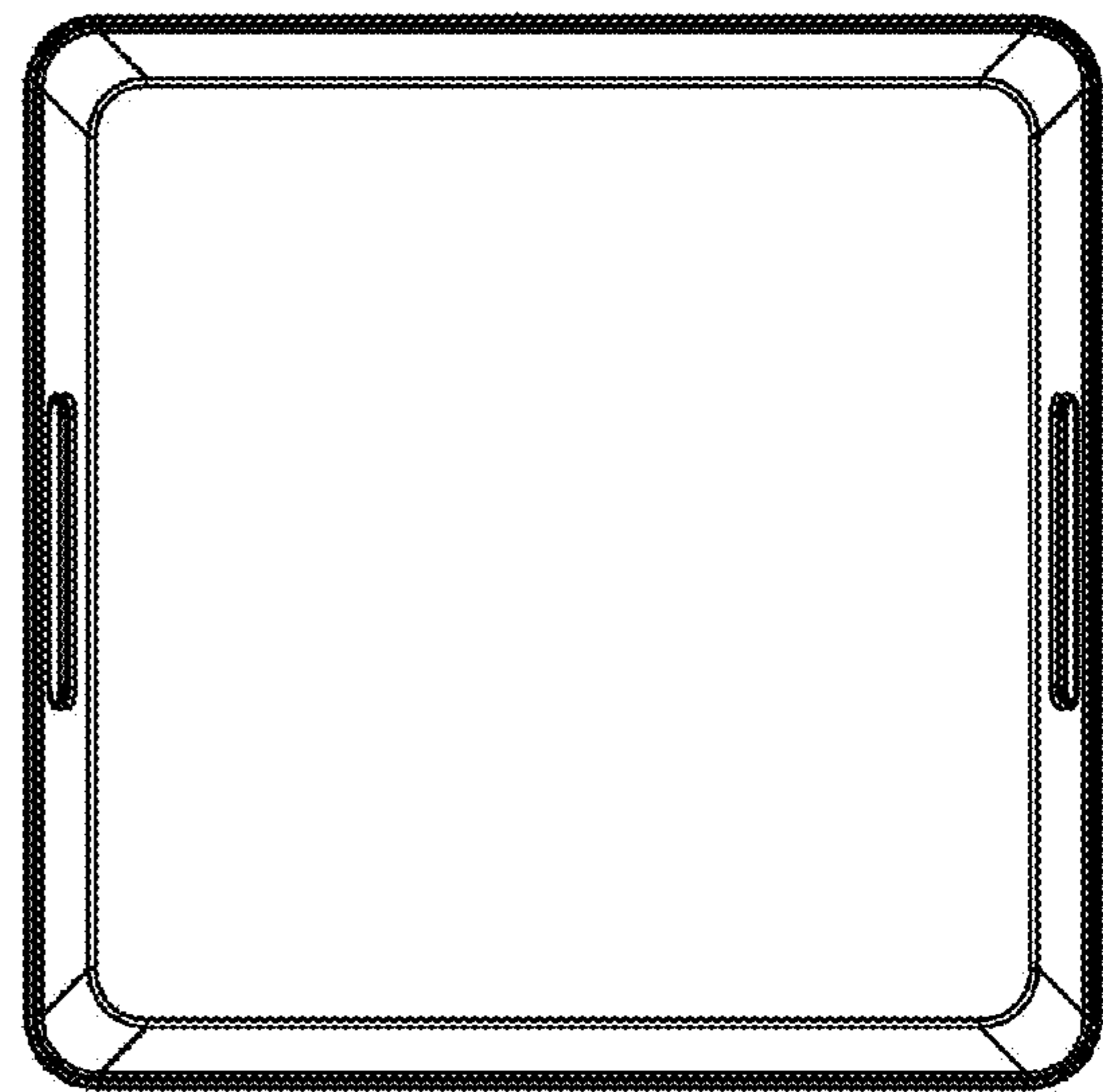


Fig. 7

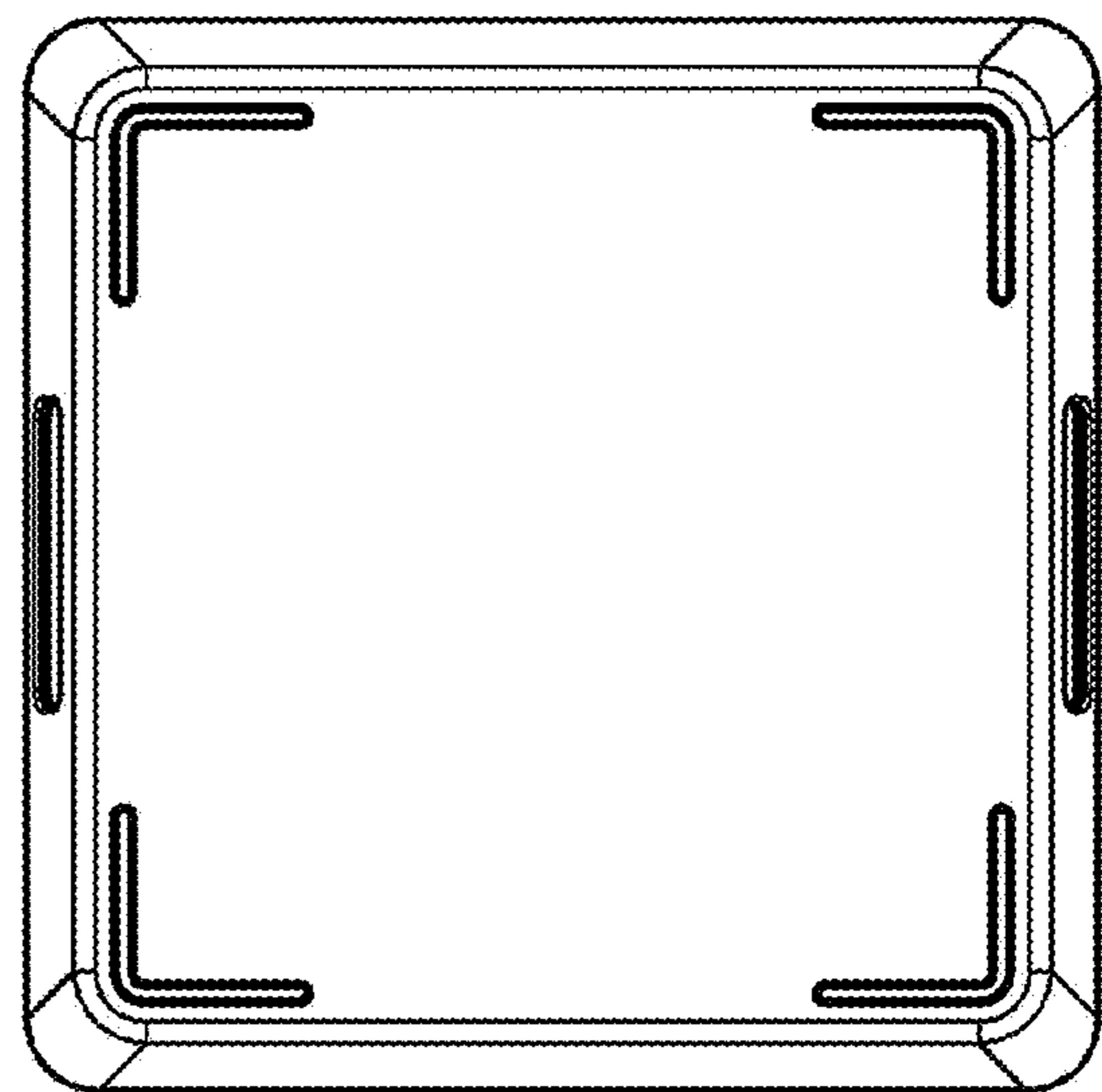


Fig. 8

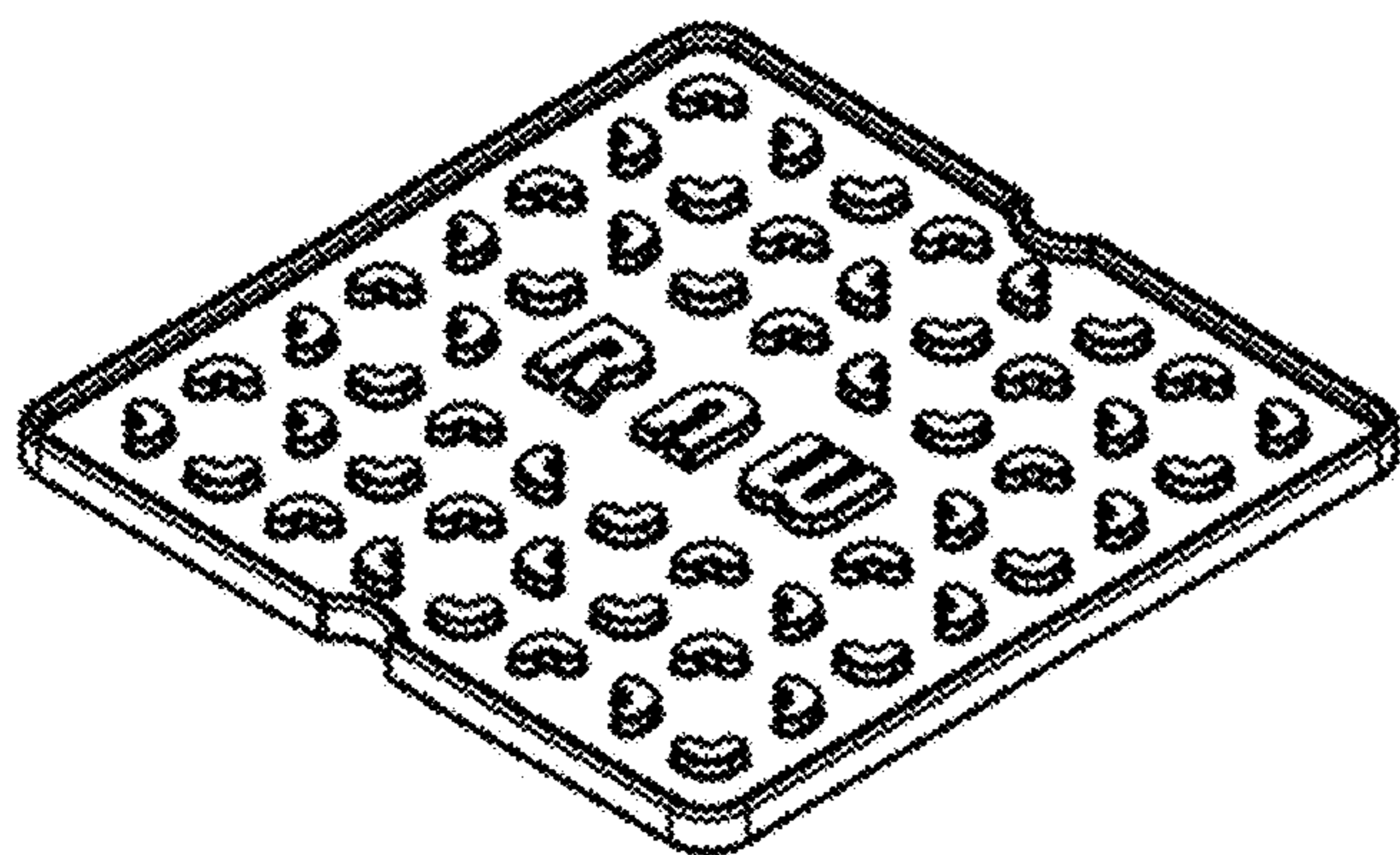


Fig. 9

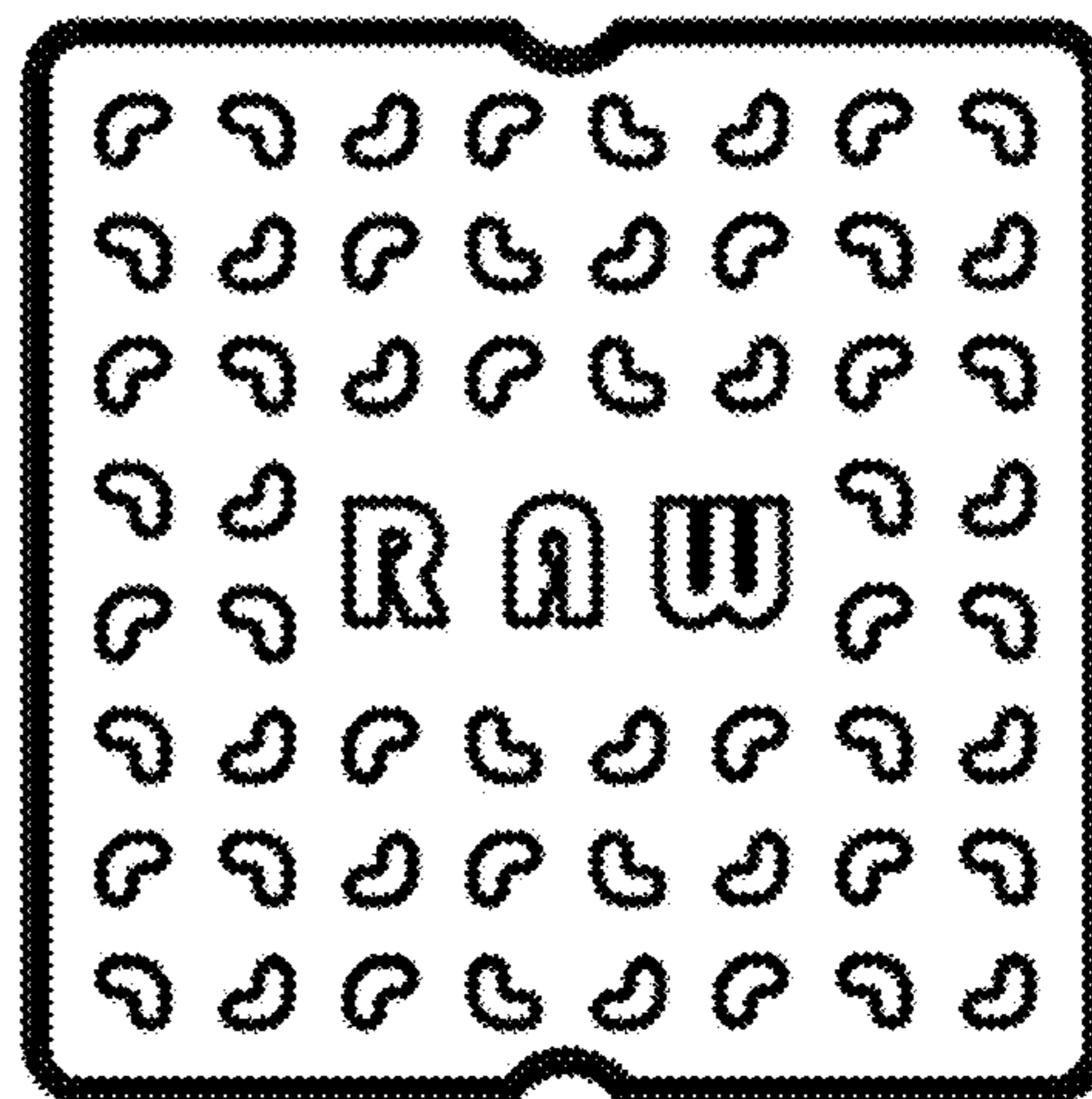


Fig. 14

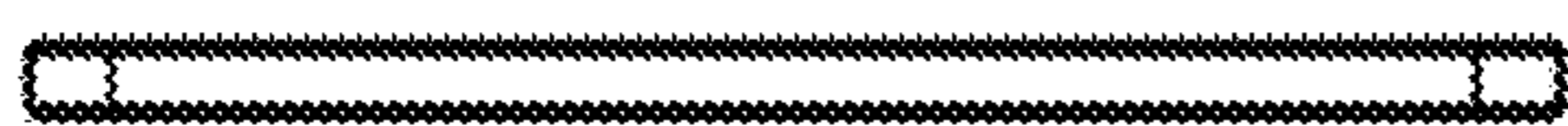


Fig. 10



Fig. 11



Fig. 12



Fig. 13

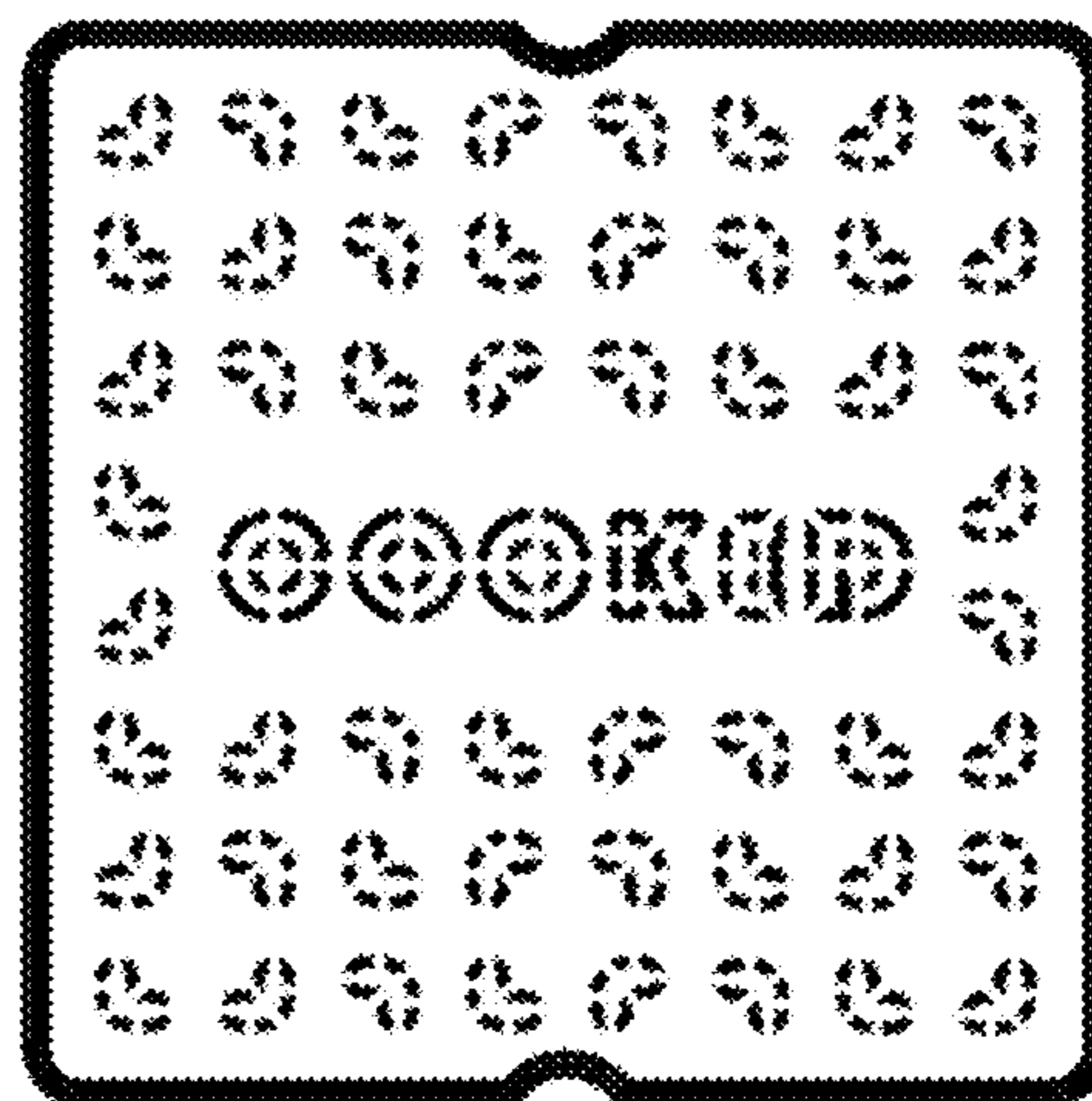


Fig. 15

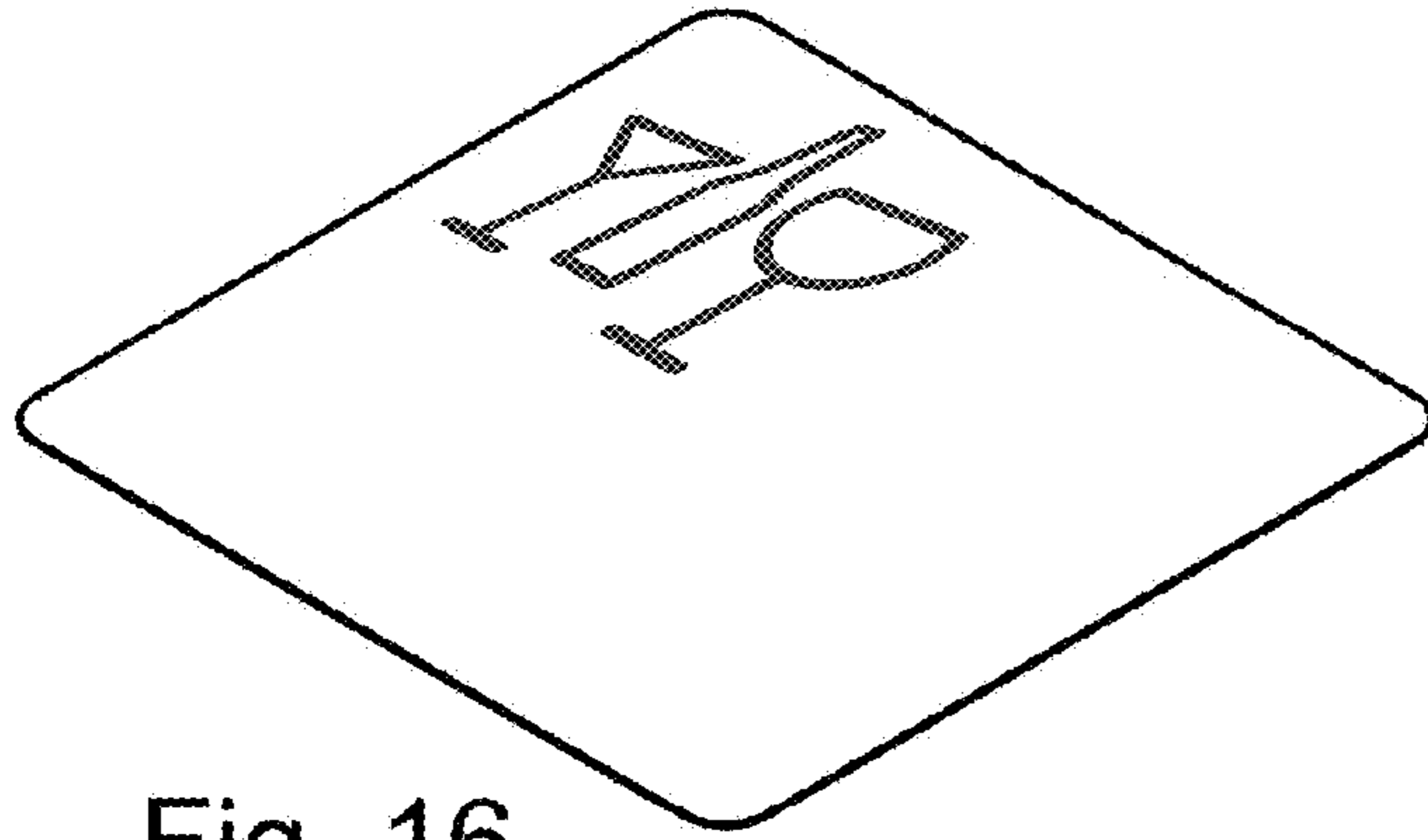


Fig. 16

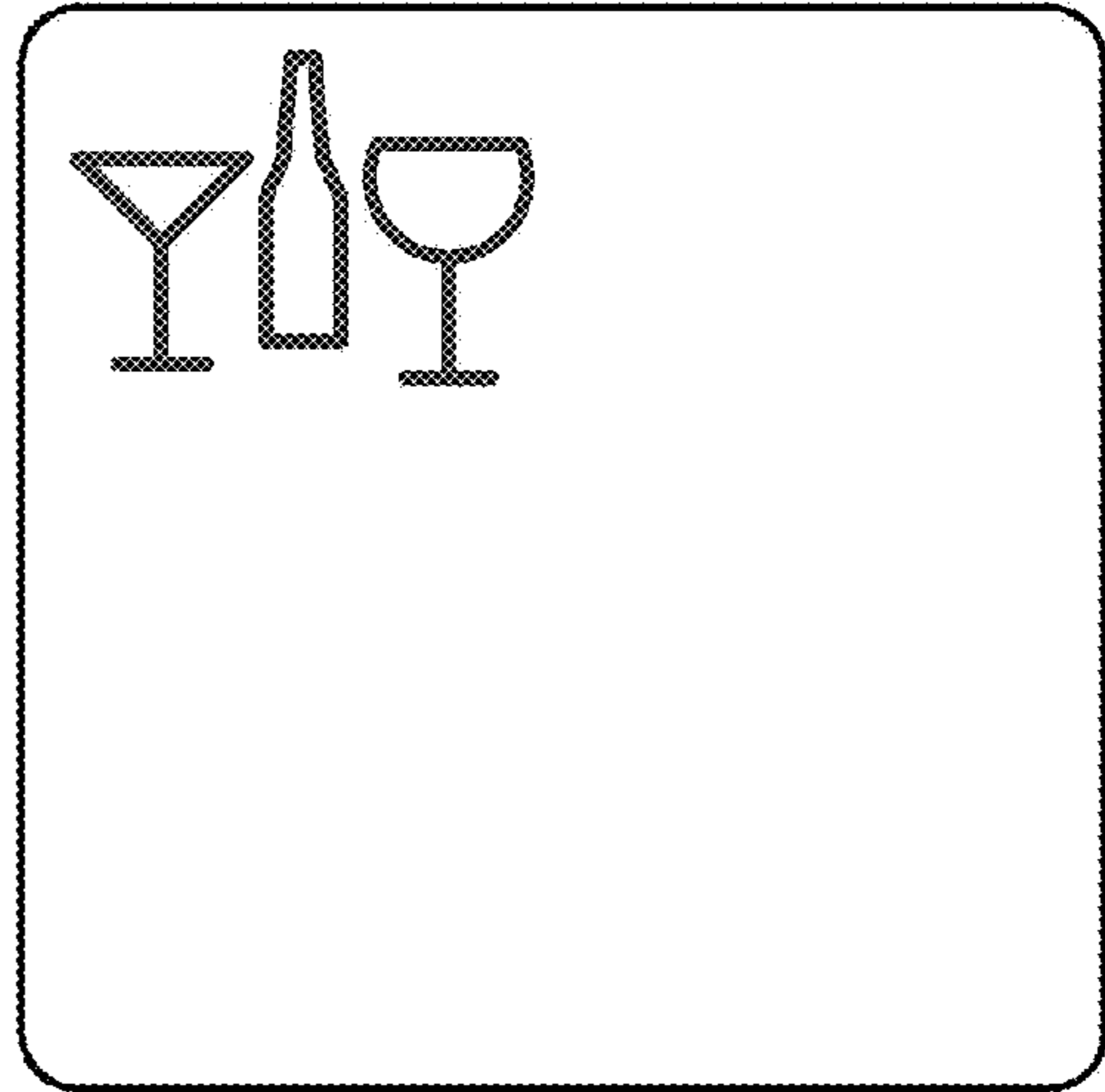


Fig. 21



Fig. 17



Fig. 18



Fig. 19



Fig. 20

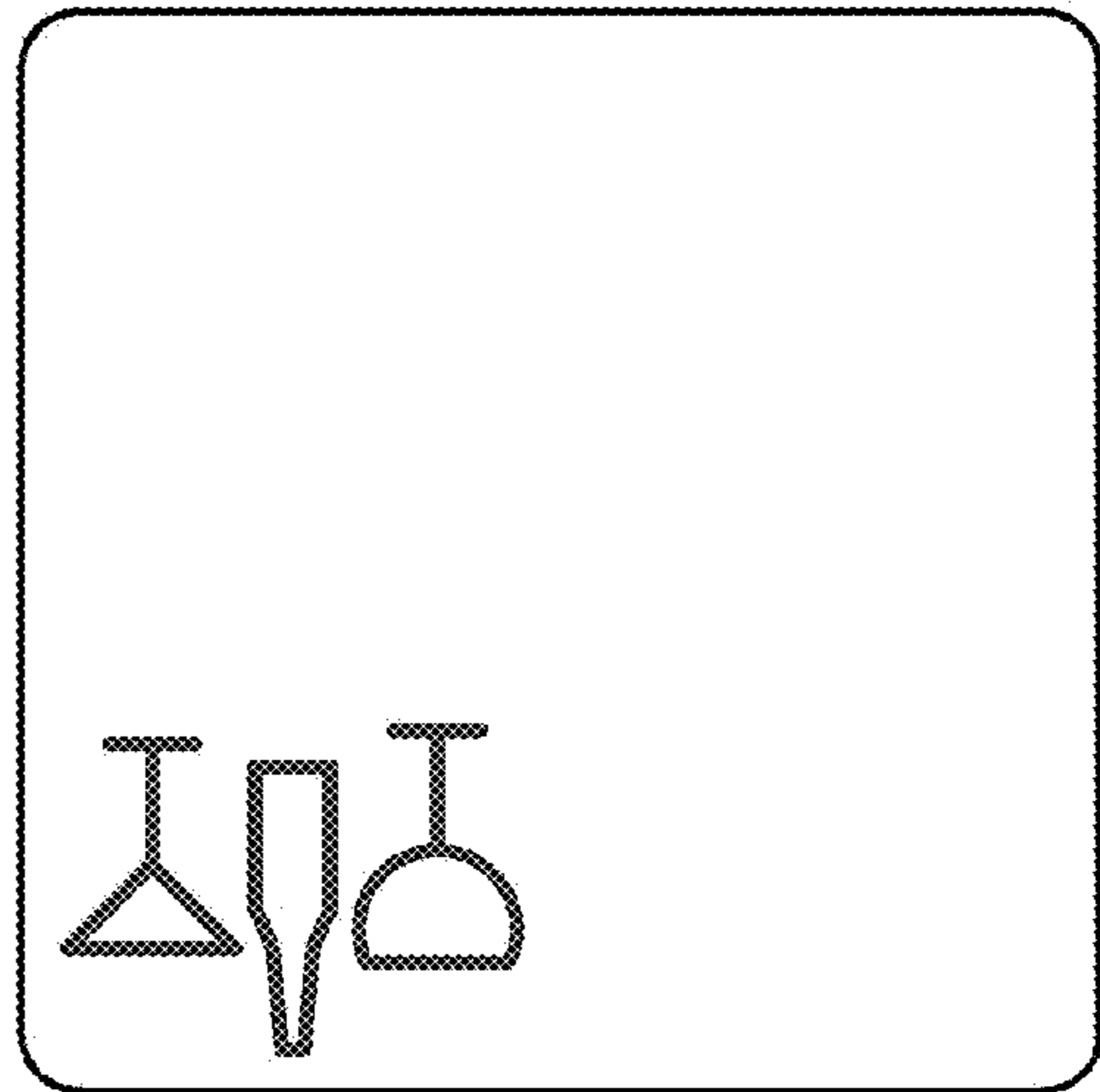


Fig. 22