



US00D915828S

(12) **United States Design Patent**
Schiermeier

(10) **Patent No.:** **US D915,828 S**

(45) **Date of Patent:** **** Apr. 13, 2021**

- (54) **TRAY**
- (71) Applicant: **saturn petcare gmbh**, Bremen (DE)
- (72) Inventor: **Hubert Schiermeier**, Bremen (DE)
- (73) Assignee: **SATURN PETCARE GMBH**, Bremen (DE)
- (**) Term: **15 Years**

D565,253 S *	3/2008	Modi	D30/129
D590,551 S *	4/2009	Sperbeck	D30/129
D632,135 S *	2/2011	Green-Cotton	D7/587
D728,865 S *	5/2015	Tsengas	D30/129
D761,061 S *	7/2016	McConnell	D7/587
D770,233 S *	11/2016	Raphael	D7/584
D787,274 S *	5/2017	Gagnon	D7/586
D815,915 S *	4/2018	Raphael	D7/584
D821,152 S *	6/2018	Wu	D7/584
D823,643 S *	7/2018	Paul	D7/584
D869,240 S *	12/2019	Modi	D7/584
D884,289 S *	5/2020	Wu	D30/129

- (21) Appl. No.: **29/702,968**
- (22) Filed: **Aug. 22, 2019**
- (51) **LOC (13) Cl.** **07-01**
- (52) **U.S. Cl.**
USPC **D7/554.2**
- (58) **Field of Classification Search**
USPC D9/424-425; D7/500, 505-507, 550.1,
D7/554.2, 554.3, 554.4, 601-602;
D3/304, 314, 315
CPC ... B65D 1/00; B65D 1/34; B65D 1/38; A47G
19/02; A47G 19/12; A47G 19/30; A47G
21/08; A47G 23/06
See application file for complete search history.

* cited by examiner

Primary Examiner — Kelley A Donnelly

(74) *Attorney, Agent, or Firm* — Fross Zelnick Lehrman & Zissu, P.C.; Charles T. J. Weigell, Esq.

(57) **CLAIM**

The ornamental design for a tray, as shown and described.

DESCRIPTION

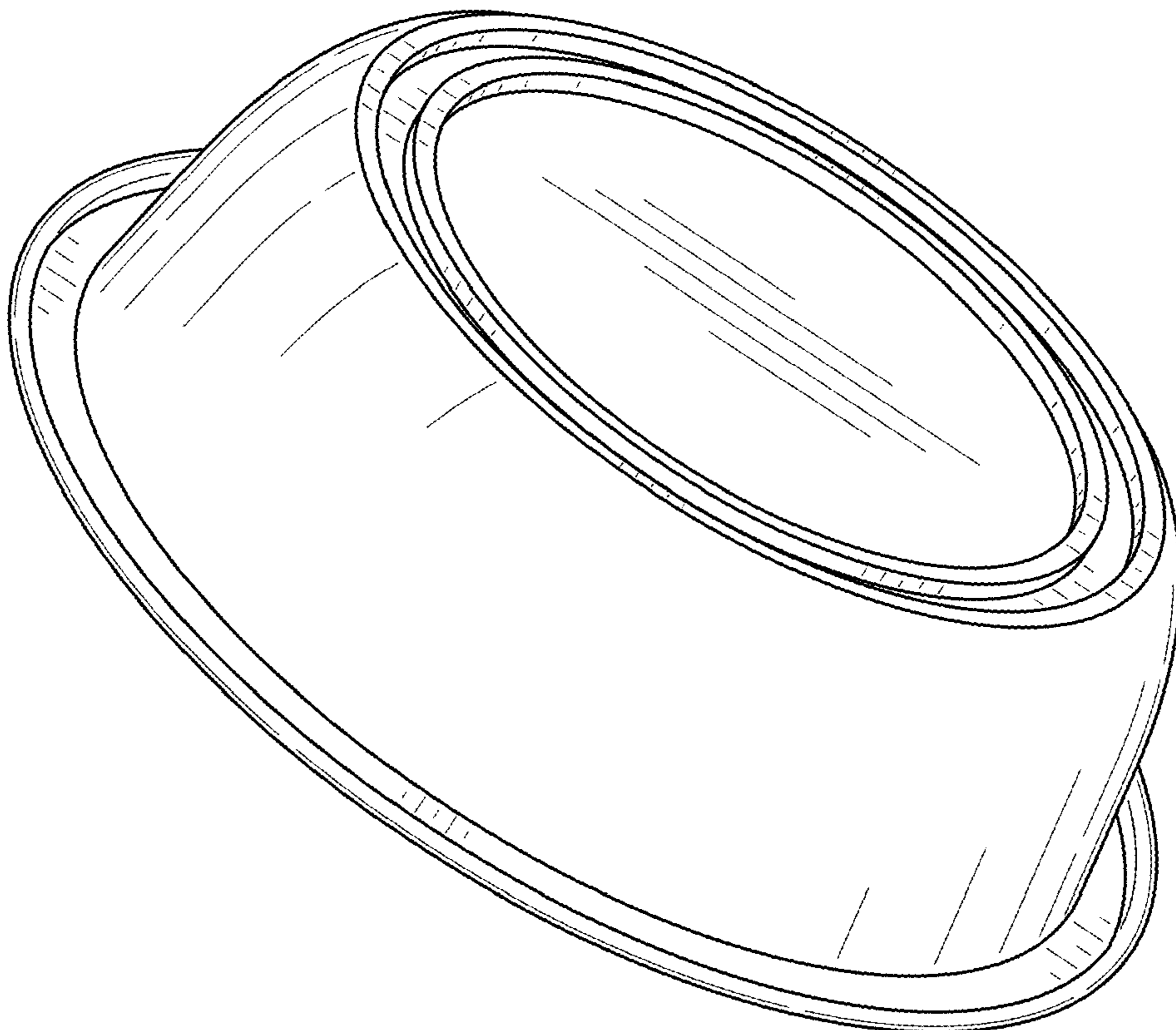
FIG. 1 is a perspective view of a tray showing my new design;
 FIG. 2 is a top view of thereof;
 FIG. 3 is a bottom view of thereof;
 FIG. 4 is a right side view thereof;
 FIG. 5 is a left side view thereof;
 FIG. 6 is a front view thereof; and,
 FIG. 7 is a rear view thereof with the tray inverted.
 The broken lines on the interior surface of the tray, show portions of the tray that form no part of the claimed design.

(56) **References Cited**

U.S. PATENT DOCUMENTS

D404,258 S *	1/1999	Indekeu	D7/545
D478,474 S *	8/2003	Zettle	D7/545
D545,627 S *	7/2007	Chatterton	D7/538

1 Claim, 7 Drawing Sheets



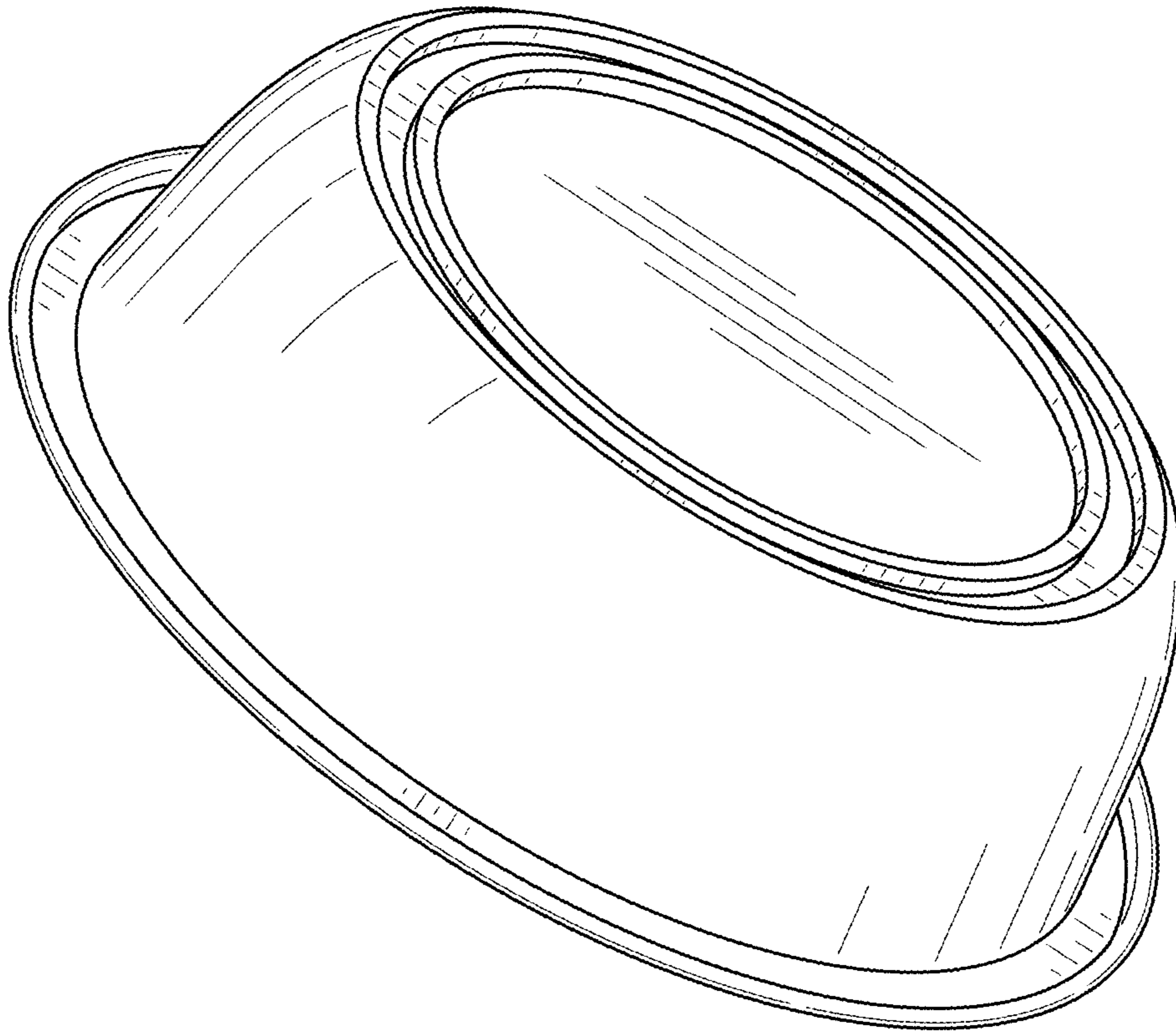


FIG. 1

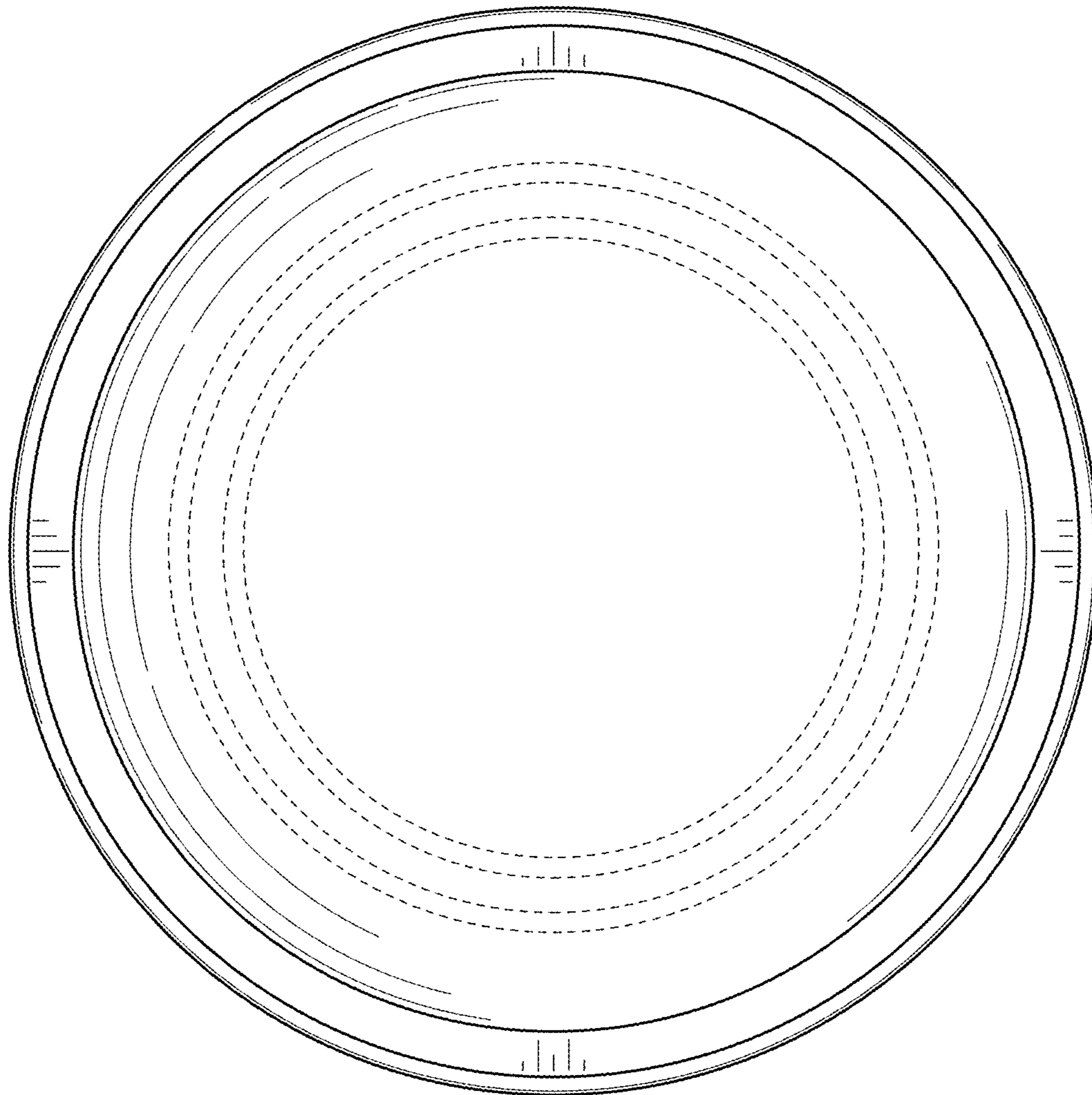


FIG. 2

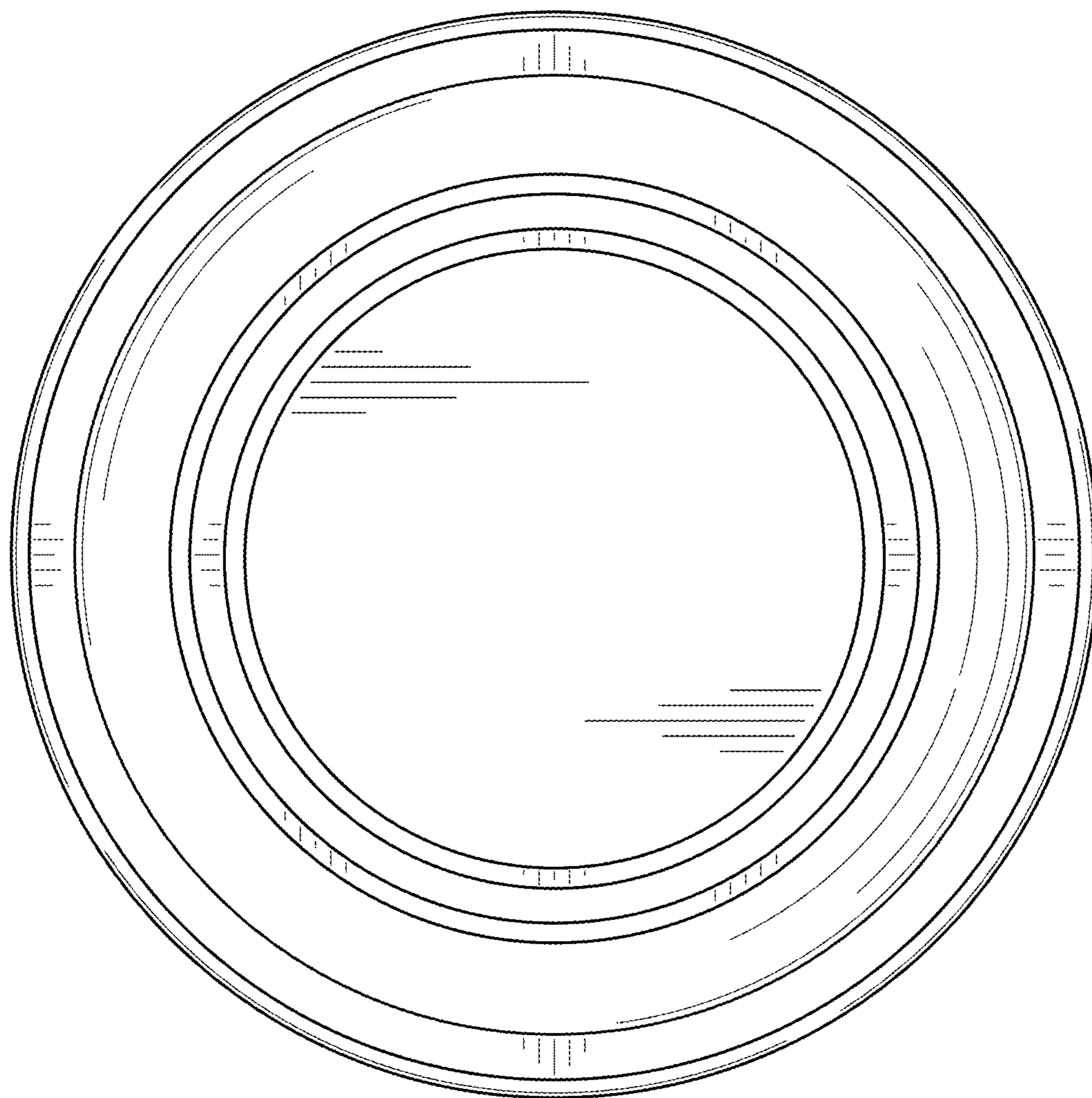


FIG. 3

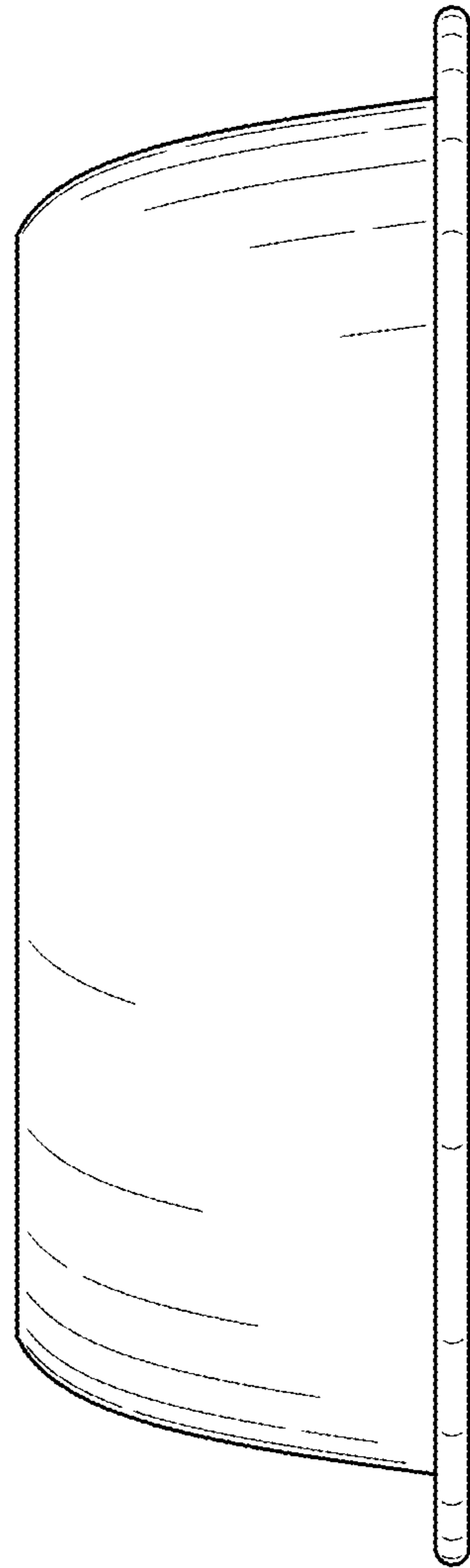


FIG. 4

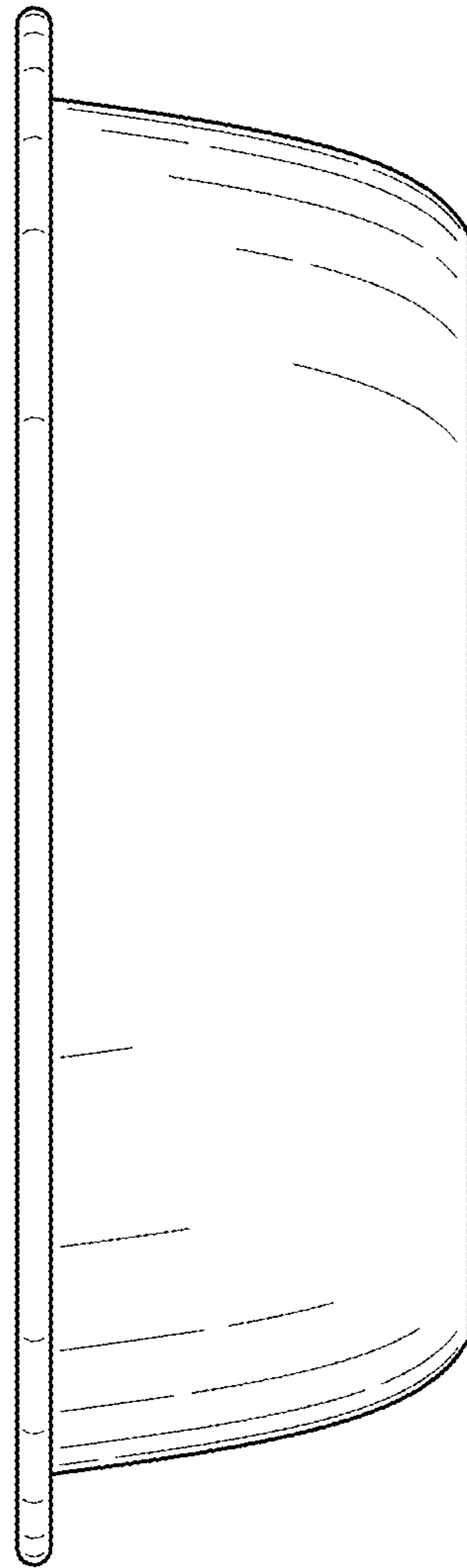


FIG. 5

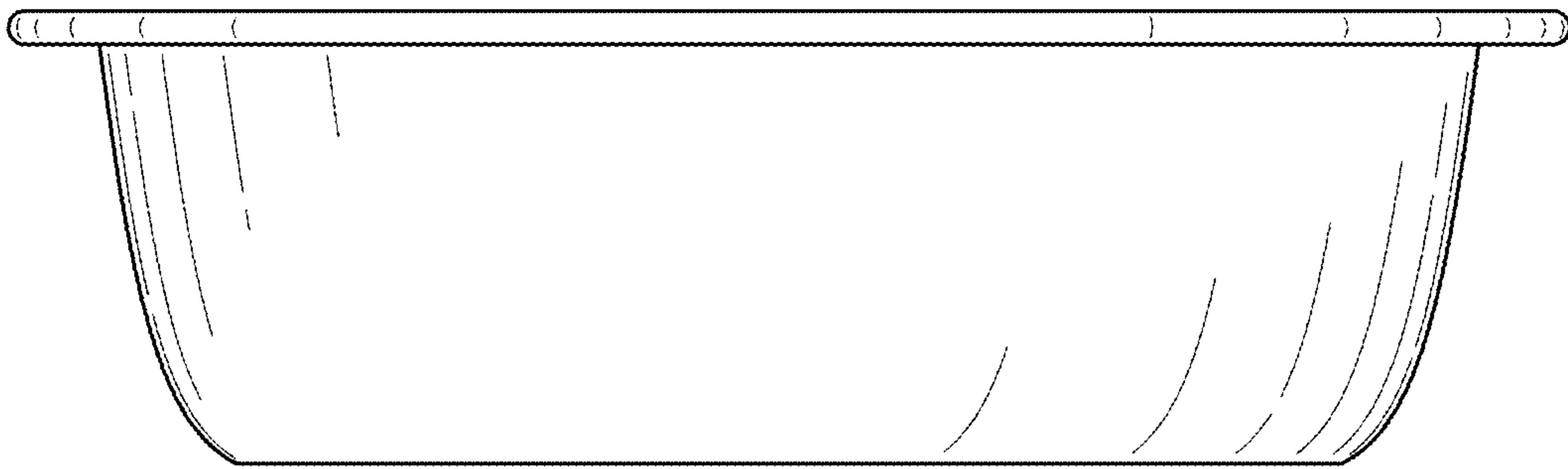


FIG. 6

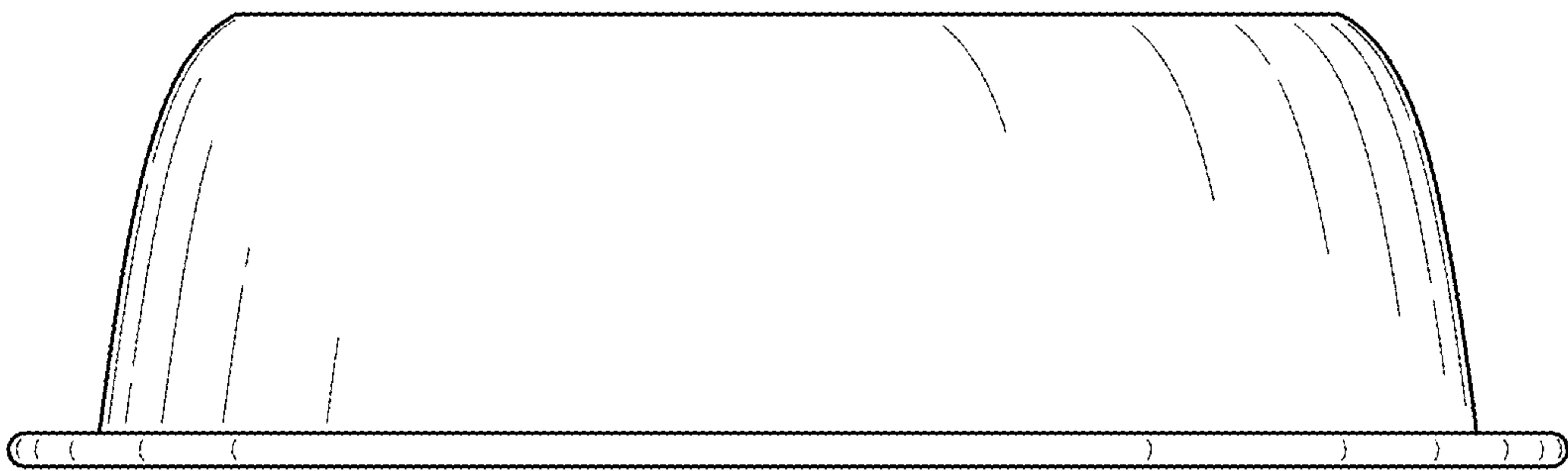


FIG. 7