



US00D915826S

(12) **United States Design Patent**  
**Ulla et al.**

(10) **Patent No.:** **US D915,826 S**

(45) **Date of Patent:** **\*\* Apr. 13, 2021**

(54) **BEVERAGE CONTAINER SYSTEM WITH INTERLOCKING ASSEMBLY**

(71) Applicant: **MERGE BOTTLE, LLC**, Albany, NY (US)

(72) Inventors: **Sibgat Ulla**, Rensselaer, NY (US);  
**Angelica Ulla**, Rensselaer, NY (US)

(73) Assignee: **Merg Bottle, LLC**, Albany, NY (US)

(\*\*) Term: **15 Years**

(21) Appl. No.: **29/702,977**

(22) Filed: **Aug. 22, 2019**

(51) **LOC (13) Cl.** ..... **07-01**

(52) **U.S. Cl.**  
USPC ..... **D7/507; D7/532**

(58) **Field of Classification Search**  
USPC ..... D7/507, 509, 510, 511, 513, 529, 531, D7/532, 523, 533, 534, 535, 536, 392.1, D7/296.1, 396.2, 300.1, 608, 300, 320, D7/624.1, 624.2; D3/202; D9/501, 502, D9/503, 504, 530, 529, 522, 554, 567, D9/571, 569, 449, 516, 523, 524, 543, D9/565, 575  
CPC ..... A47G 19/22; A47G 19/2288; A47G 19/2205; A47G 19/2211; A47J 41/0077; A45F 3/16

See application file for complete search history.

(56) **References Cited**

**U.S. PATENT DOCUMENTS**

4,444,324	A	*	4/1984	Grenell	.....	B65D 25/04
						206/545
D288,667	S	*	3/1987	Miner	.....	D9/440
D641,594	S	*	7/2011	Huang	.....	D7/629
D686,885	S	*	7/2013	Meyers	.....	D7/629
D698,650	S	*	2/2014	Marchant	.....	D9/503
D720,218	S	*	12/2014	Hutson	.....	D9/443

D721,535	S	*	1/2015	Chapman	.....	D7/396.2
D723,872	S	*	3/2015	Kostler	.....	D7/510
D789,737	S	*	6/2017	Eyal	.....	D7/396.2
D798,111	S	*	9/2017	Yao	.....	D7/510
D807,692	S	*	1/2018	Yao	.....	D7/392.1
D815,903	S	*	4/2018	Steel	.....	D7/510
D852,001	S	*	6/2019	Campbell	.....	D7/608
D853,182	S	*	7/2019	Adams, Jr.	.....	D7/392
D856,069	S	*	8/2019	Barber	.....	D7/392.1
D856,082	S	*	8/2019	Yao	.....	D7/507

(Continued)

**OTHER PUBLICATIONS**

[https://www.amazon.com/Contigo-Shaker-Storage-Container-Wildberry/dp/B01BD0R3YQ/ref=sr\\_1\\_9?dchild=1&keywords=top+handle+two+compartments+bottle&gid=1600200462&sr=8-9](https://www.amazon.com/Contigo-Shaker-Storage-Container-Wildberry/dp/B01BD0R3YQ/ref=sr_1_9?dchild=1&keywords=top+handle+two+compartments+bottle&gid=1600200462&sr=8-9) (Year: 2016).\*

*Primary Examiner* — Jae Liang

(74) *Attorney, Agent, or Firm* — Invention To Patent Services; Alex Hobson

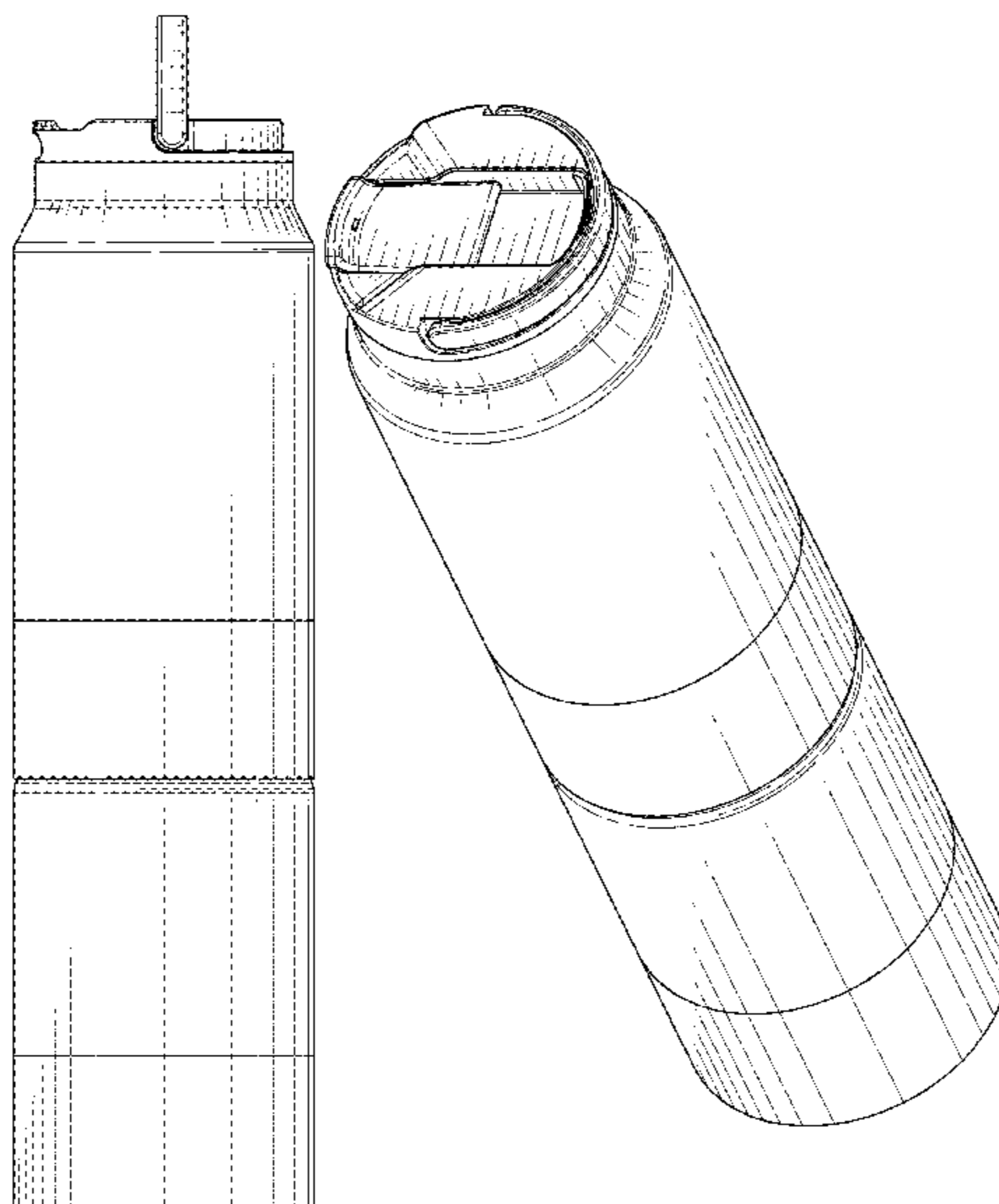
(57) **CLAIM**

The ornamental design for beverage container system with interlocking assembly, as shown and described.

**DESCRIPTION**

FIG. 1 is a perspective view of a beverage container system with interlocking assembly showing our new design; FIG. 2 is a side view thereof; FIG. 3 is another side view thereof; FIG. 4 is a front view thereof; FIG. 5 is a back view thereof; FIG. 6 is a top view thereof; FIG. 7 is a bottom view thereof; FIG. 8 is another perspective view thereof; and, FIG. 9 is an exploded perspective view thereof. Any broken lines illustrate portions of the beverage container system with interlocking assembly or environmental structure do not form a part of the claimed design.

**1 Claim, 6 Drawing Sheets**



(56)

**References Cited**

U.S. PATENT DOCUMENTS

D869,909	S *	12/2019	Campbell	.....	D7/608
D878,863	S *	3/2020	Ke	.....	D7/507
D881,717	S *	4/2020	Jack	.....	D9/746
D889,199	S *	7/2020	Shepard	.....	D7/396.2
2009/0188884	A1 *	7/2009	Nelson	.....	B65D 81/3205 215/6
2011/0204048	A1 *	8/2011	Carino	.....	B65D 21/083 220/4.03
2012/0193316	A1 *	8/2012	Starks	.....	B65D 81/3205 215/6
2014/0238949	A1 *	8/2014	Patel	.....	A47G 19/2272 215/6

\* cited by examiner

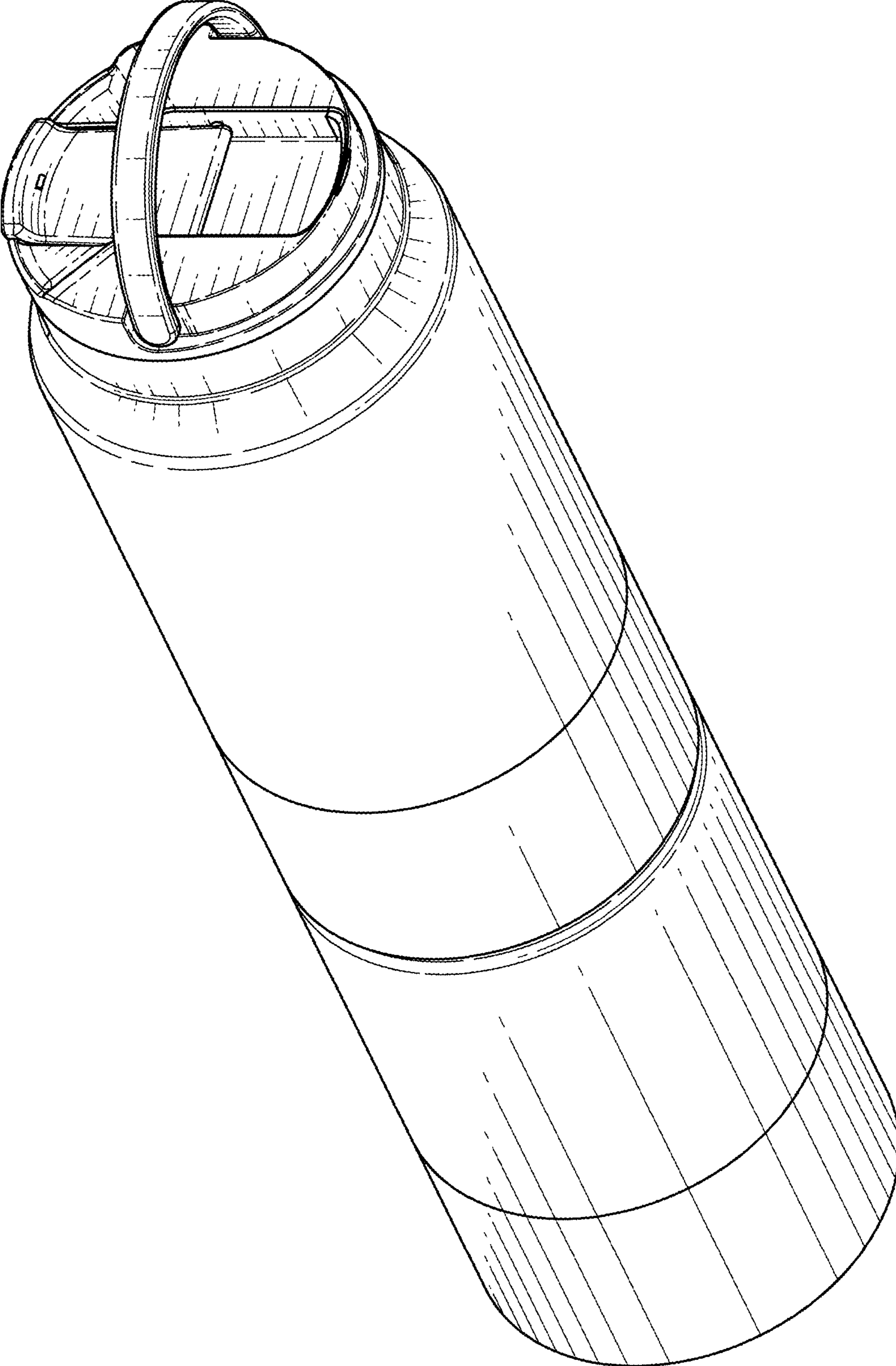


FIG. 1

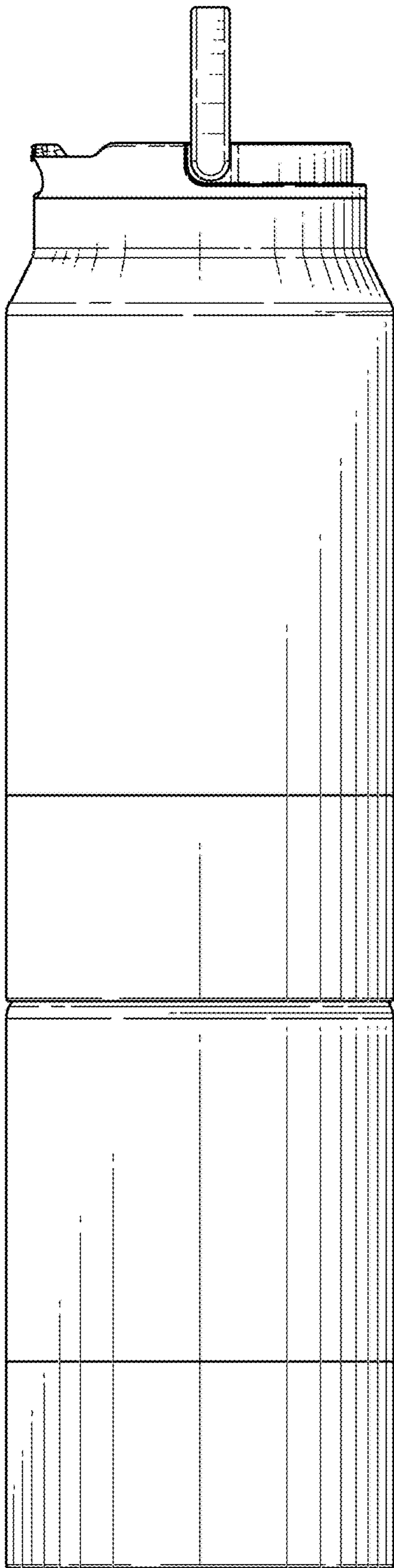


FIG. 2

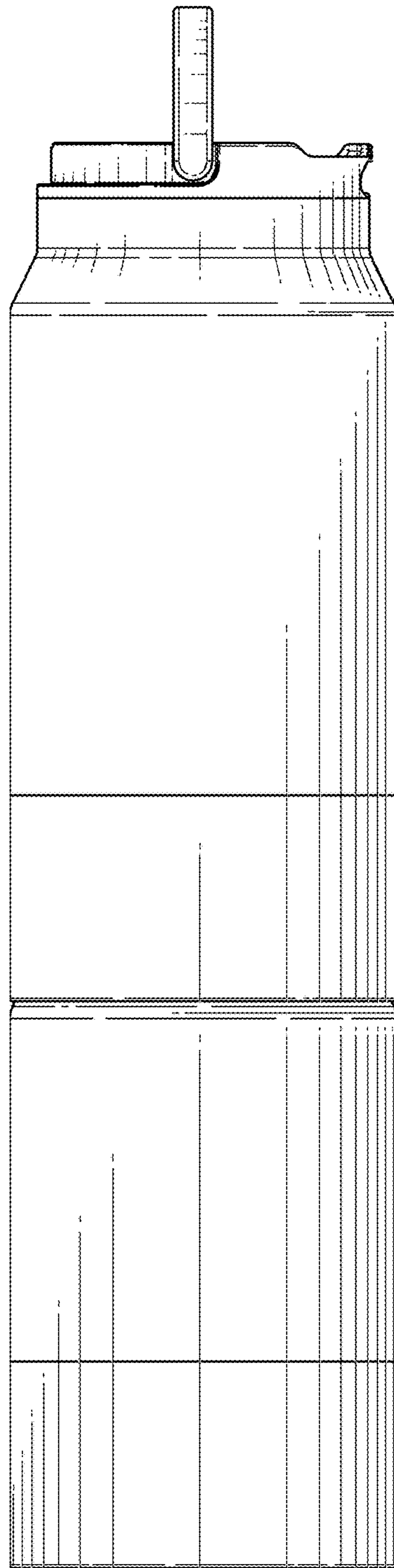


FIG. 3

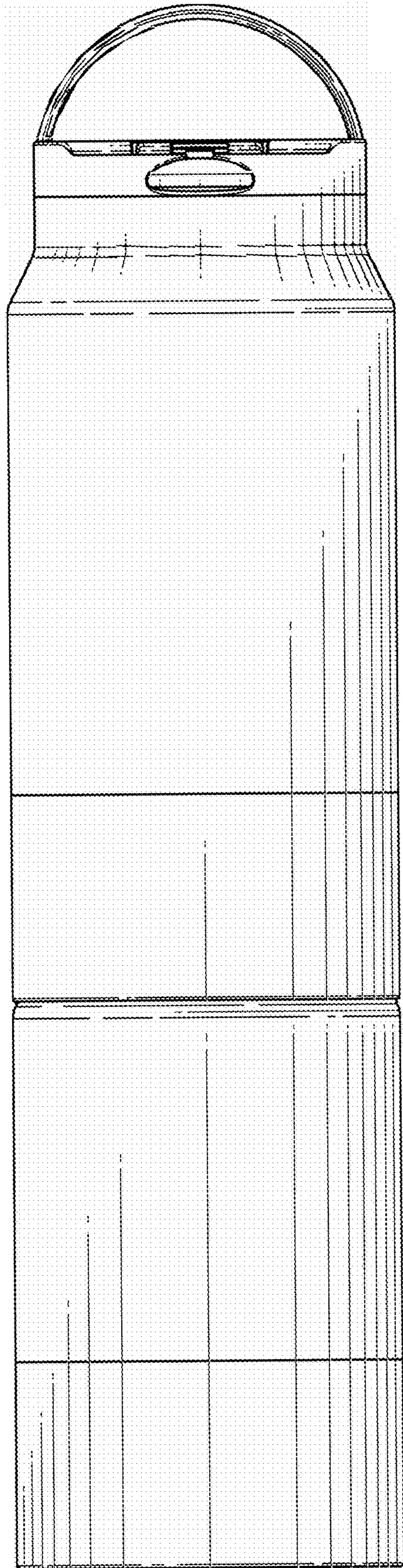


FIG. 4

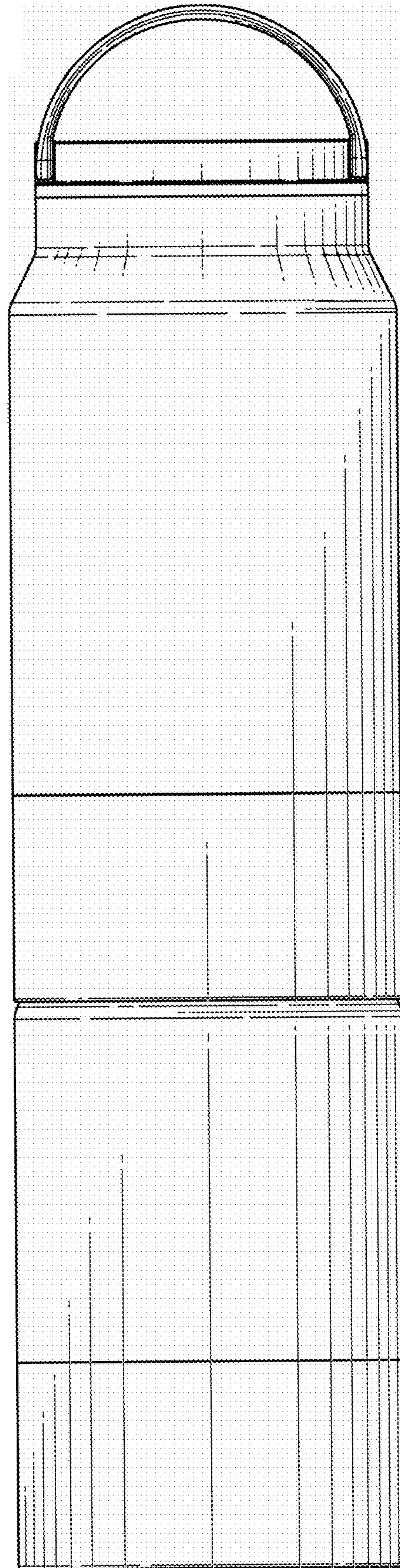


FIG. 5

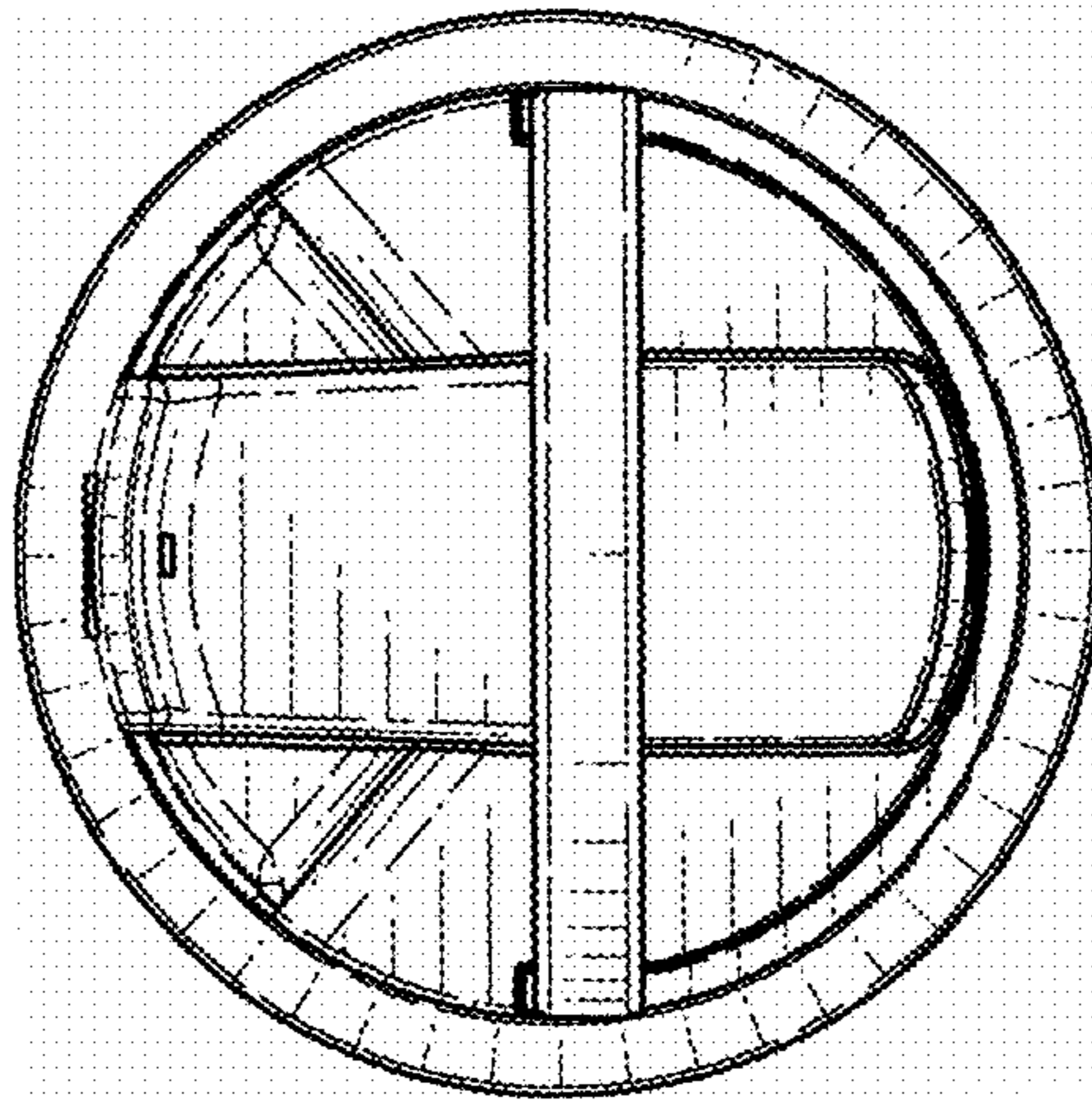


FIG. 6

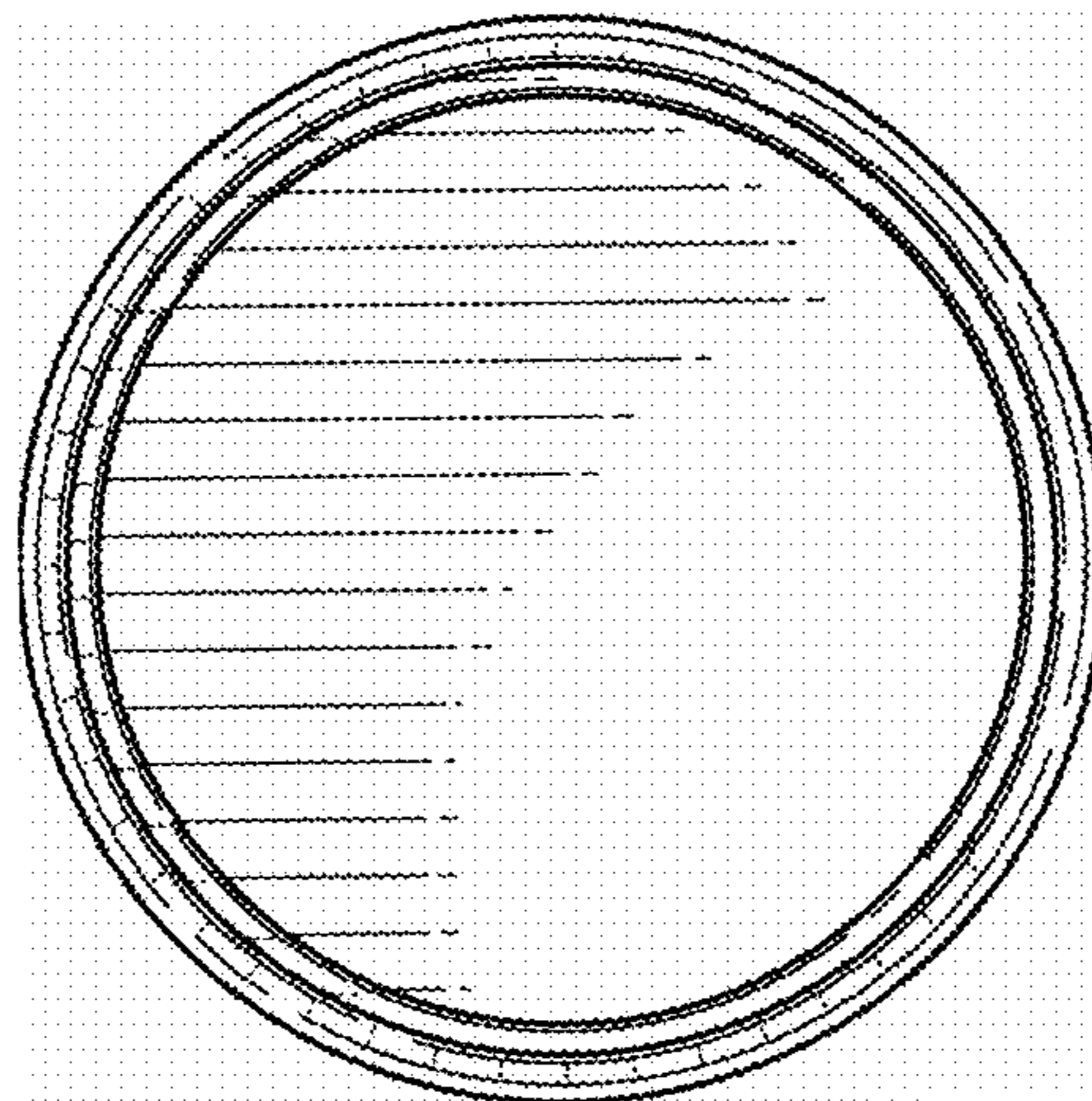


FIG. 7

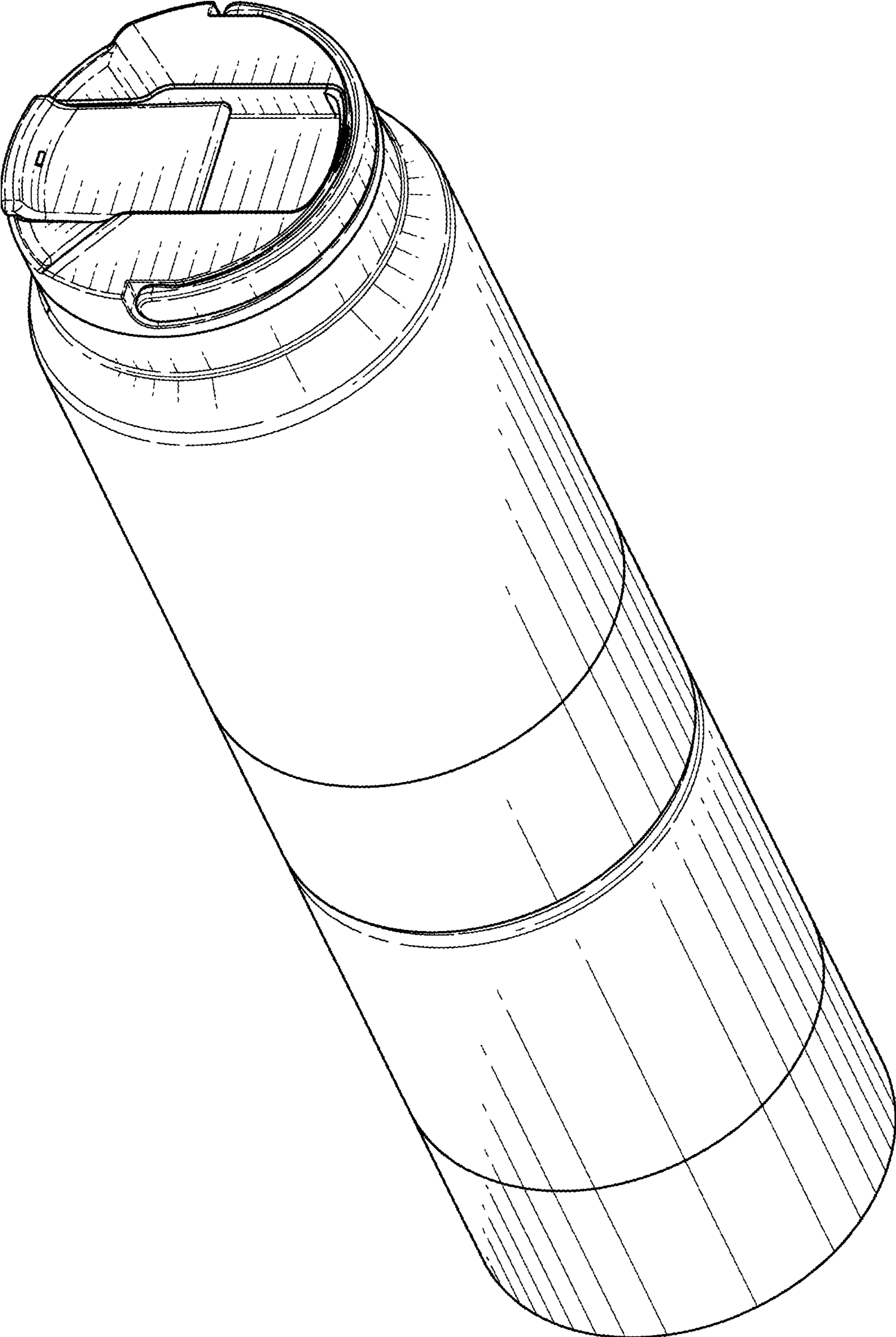


FIG. 8

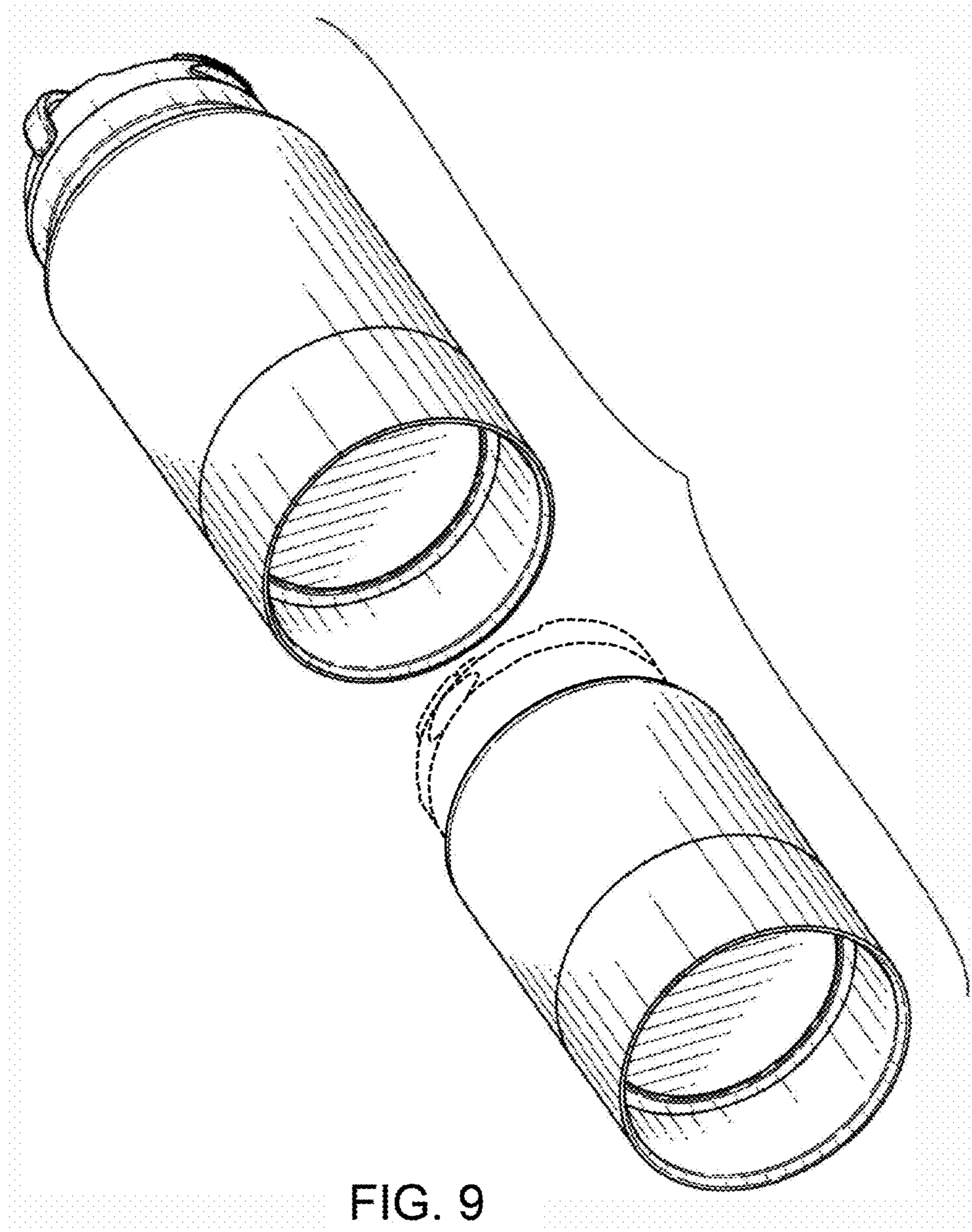


FIG. 9