



US00D915825S

(12) **United States Design Patent** (10) **Patent No.:** **US D915,825 S**
Wang et al. (45) **Date of Patent:** **** Apr. 13, 2021**

(54) **PRESSURE COOKER**

(71) Applicant: **INSTANT BRANDS INC.**, Ottawa (CA)

(72) Inventors: **Jiwei R Wang**, Ottawa (CA); **Yi Qin**, Ottawa (CA); **Dongjun Wang**, Ottawa (CA)

(73) Assignee: **INSTANT BRANDS INC.**, Ottawa (CA)

(**) Term: **15 Years**

(21) Appl. No.: **29/649,768**

(22) Filed: **Jun. 1, 2018**

(30) **Foreign Application Priority Data**

Dec. 8, 2017 (CA) CA 178558

(51) **LOC (13) Cl.** **07-99**

(52) **U.S. Cl.**
USPC **D7/406**

(58) **Field of Classification Search**

USPC D7/323, 397, 399, 306, 309, 368, 665,
D7/372, 373, 376-378, 386, 687, 402,
D7/405, 406, 412, 358, 351, 307;
D12/415, 192, 174; D14/157, 188
CPC .. A47J 31/40; A47J 31/42; A47J 37/08; A47J
27/0802

See application file for complete search history.

(56) **References Cited**

U.S. PATENT DOCUMENTS

3,801,331 A * 4/1974 Sano A47J 37/1209
99/403
4,148,250 A * 4/1979 Miki A47J 36/06
220/374

D704,500 S * 5/2014 Kim D7/354
D715,088 S * 10/2014 Kim D7/354
D838,546 S * 1/2019 Wang D7/406
D846,335 S * 4/2019 Yang D7/358
D854,875 S * 7/2019 Tan D7/358
D860,712 S * 9/2019 Yang D7/358
D861,411 S * 10/2019 Huang D7/358
D871,828 S * 1/2020 Tan D7/358
D899,178 S * 10/2020 Ye D7/358
2013/0019759 A1 * 1/2013 Tumenbatur A47J 27/0813
99/337
2020/0128998 A1 * 4/2020 Qin A47J 27/0815

* cited by examiner

Primary Examiner — Susan E Krakower

Assistant Examiner — Andrew Kerr

(74) *Attorney, Agent, or Firm* — Erickson Law Group, PC

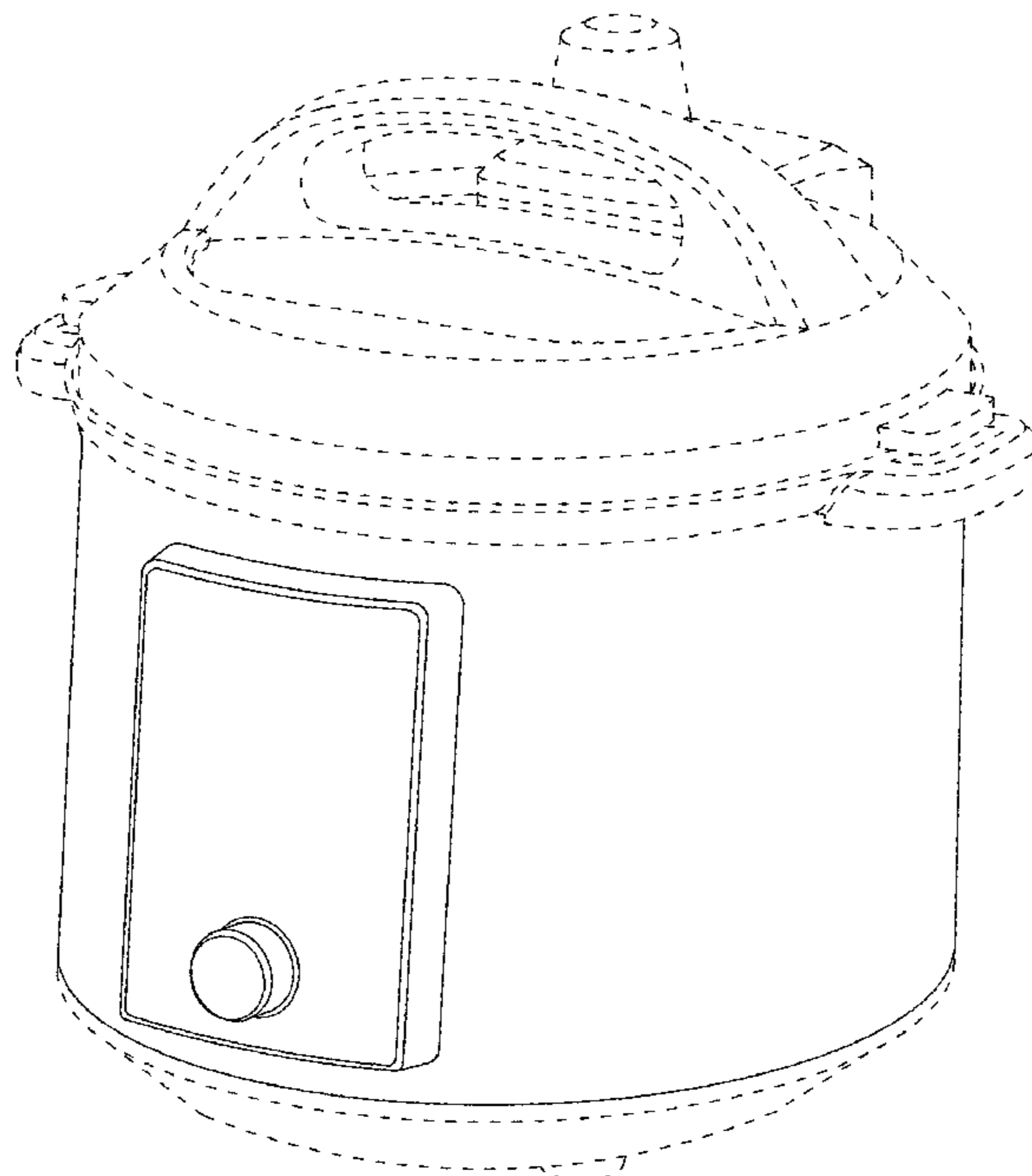
(57) **CLAIM**

The ornamental design for a pressure cooker, as shown and described.

DESCRIPTION

FIG. 1 is a front perspective view of a pressure cooker, showing our new design;
FIG. 2 is a top view thereof;
FIG. 3 is a bottom view thereof;
FIG. 4 is a front view thereof;
FIG. 5 is a rear view thereof;
FIG. 6 is a right side view thereof; and,
FIG. 7 is a left side view thereof.
The broken lines in the drawings depict portions of the pressure cooker that form no part of the claimed design.

1 Claim, 7 Drawing Sheets



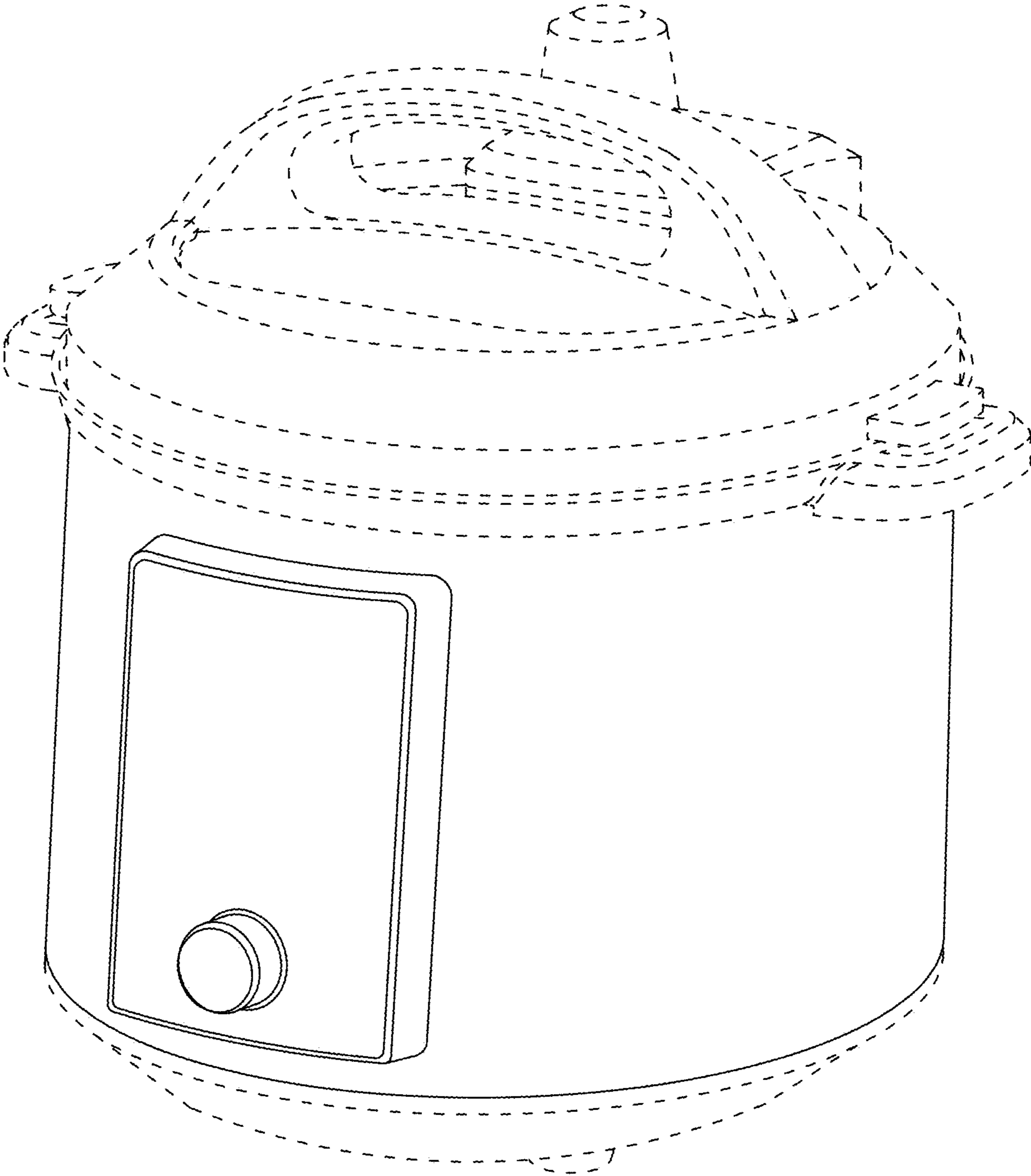


FIG. 1

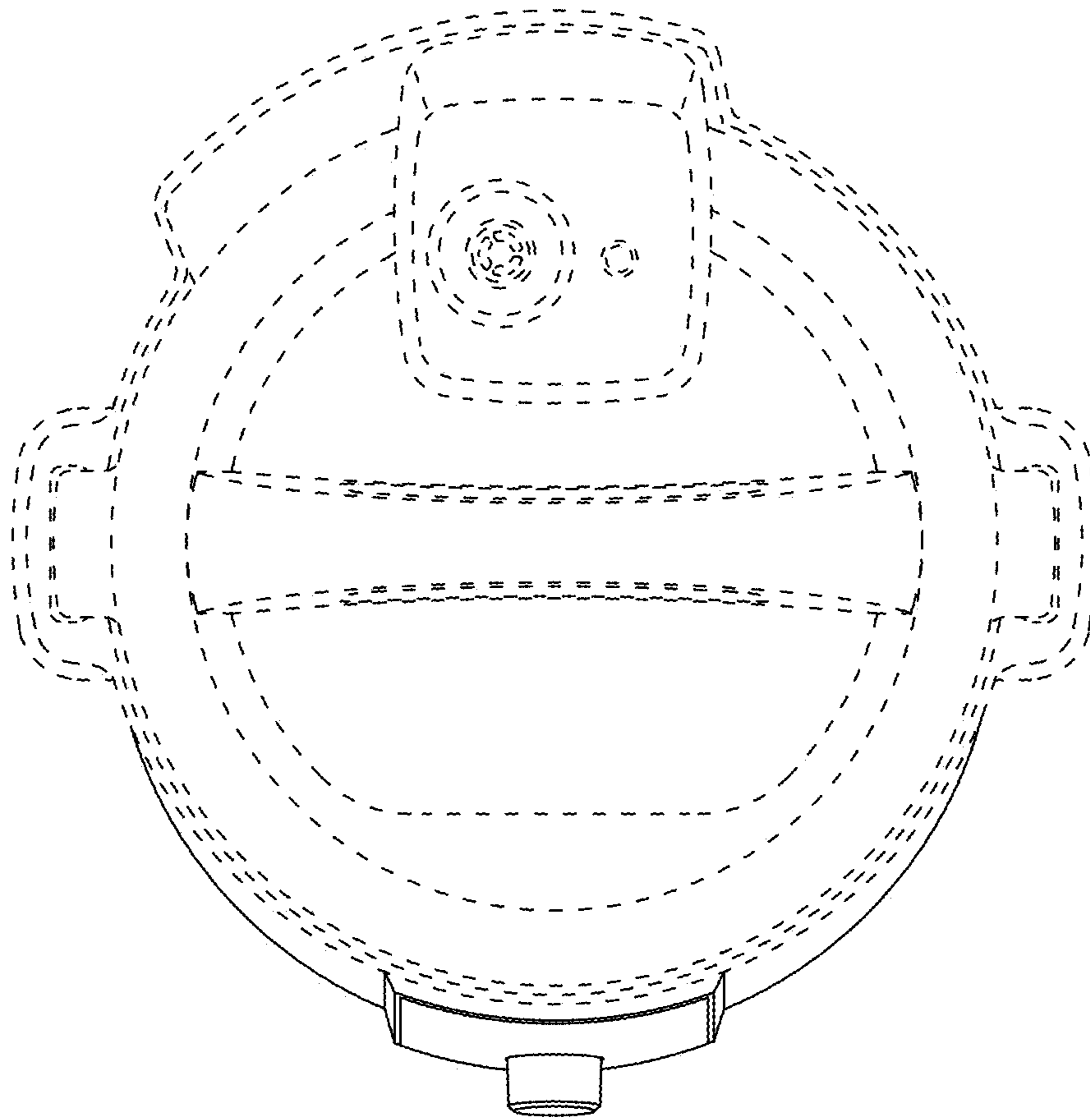


FIG. 2

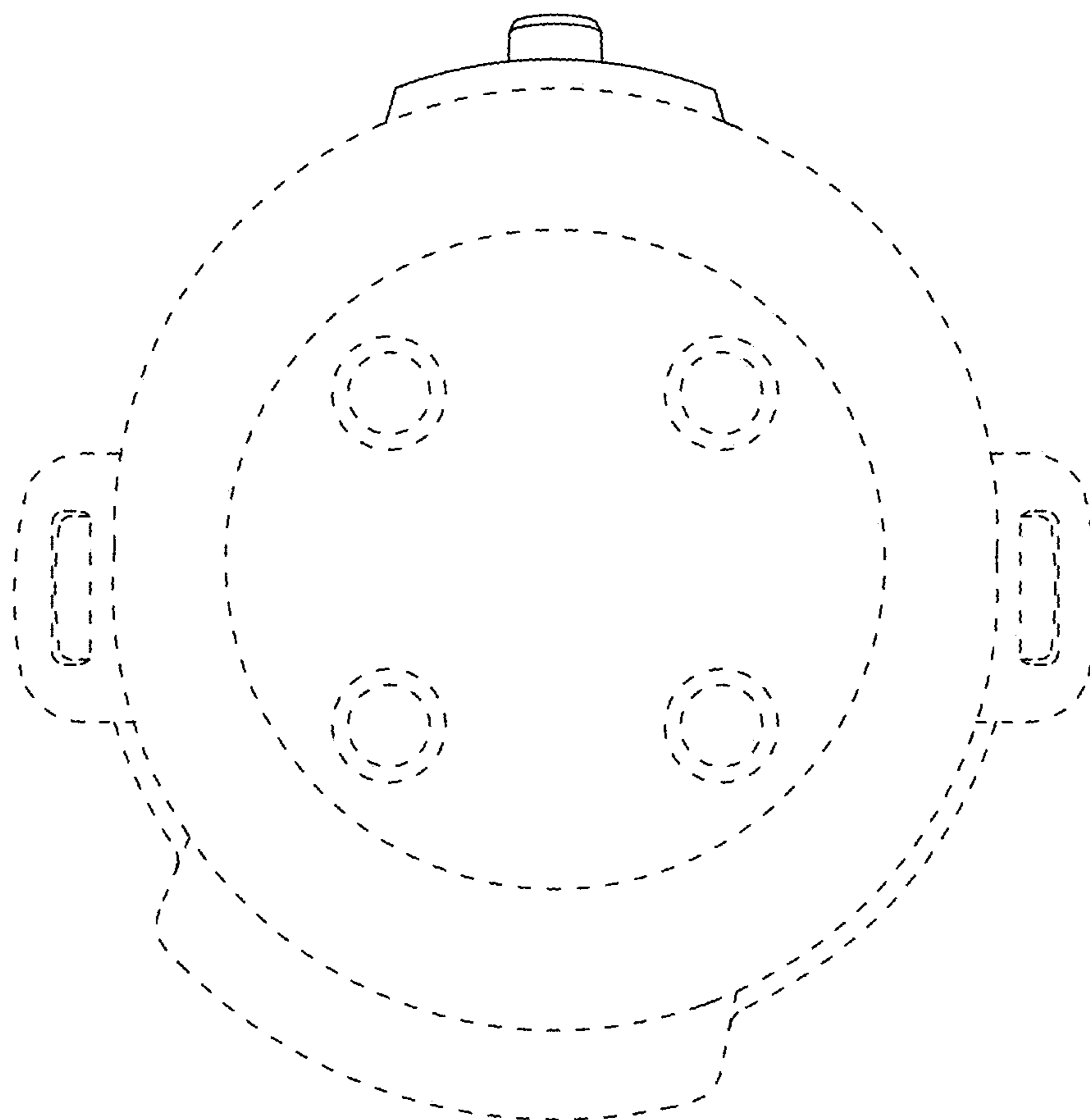


FIG. 3

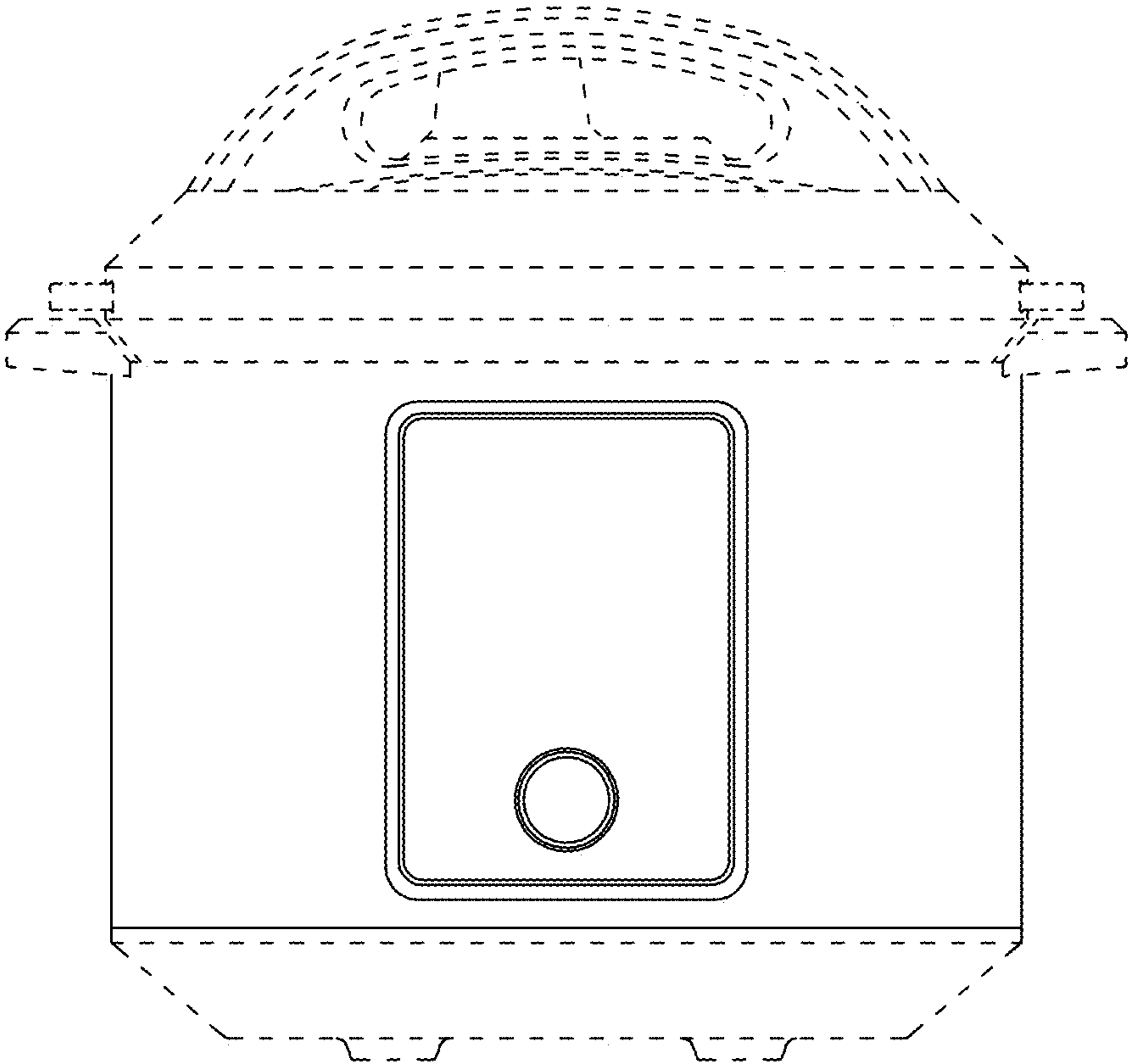


FIG. 4

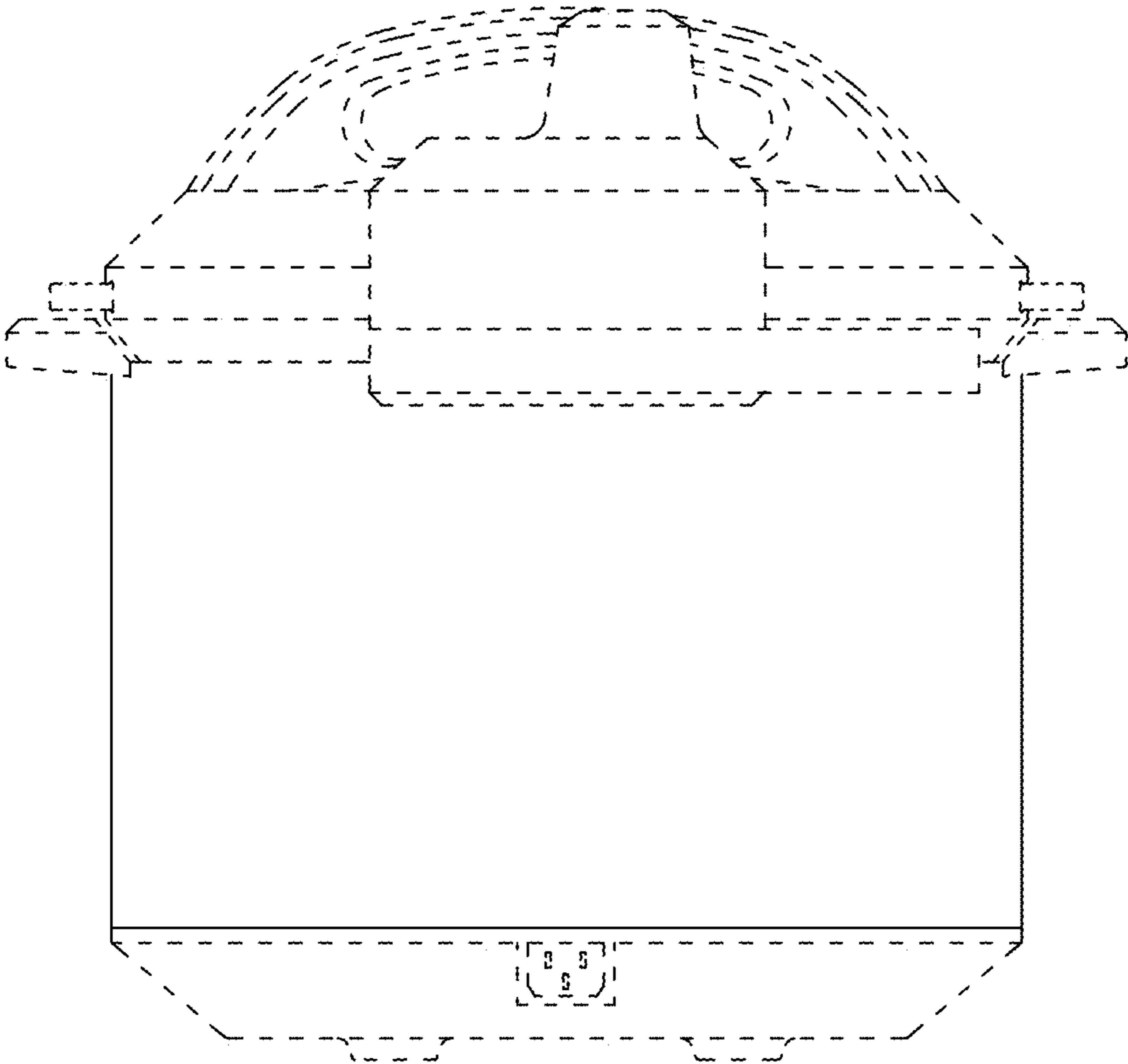


FIG. 5

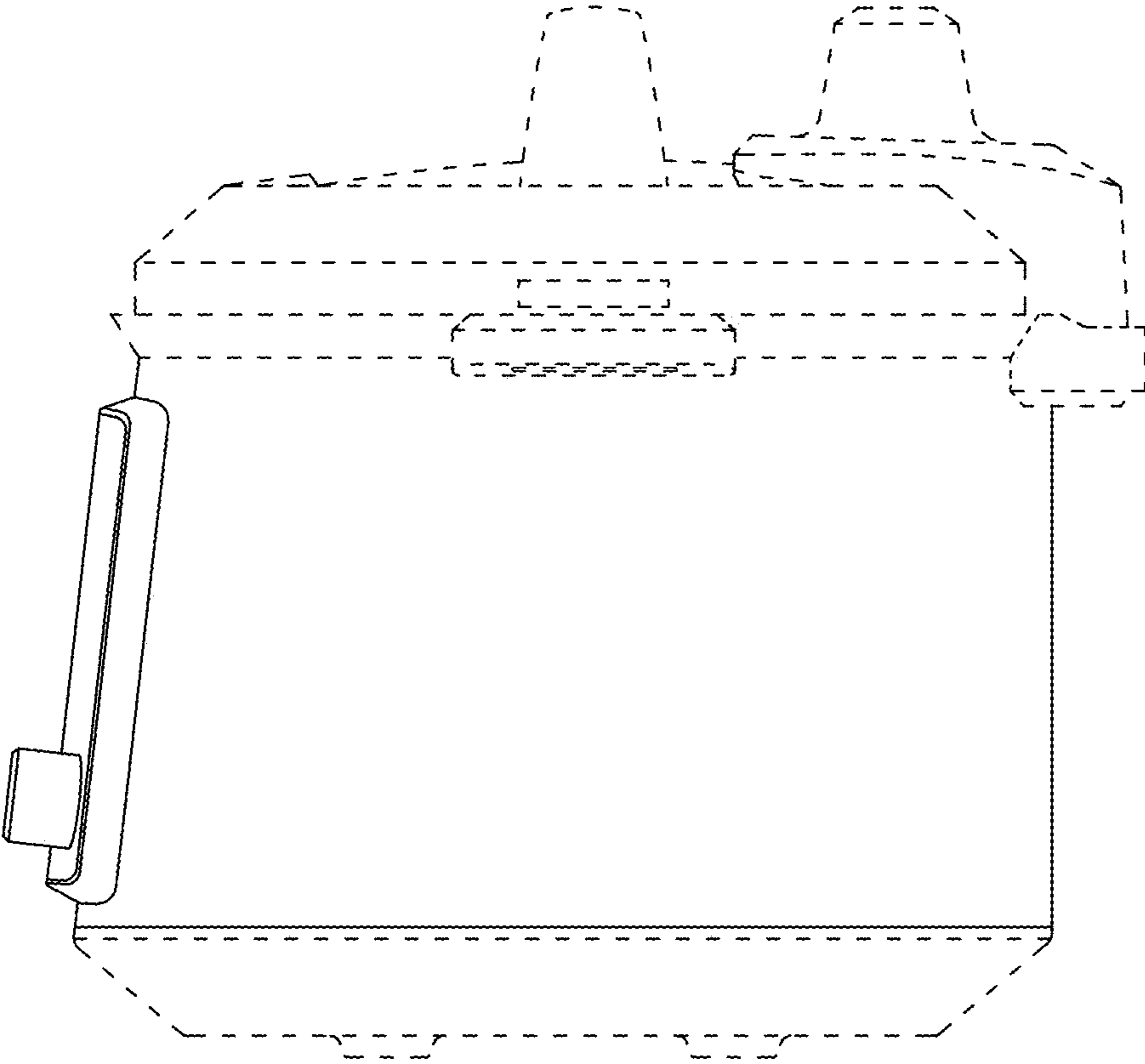


FIG. 6

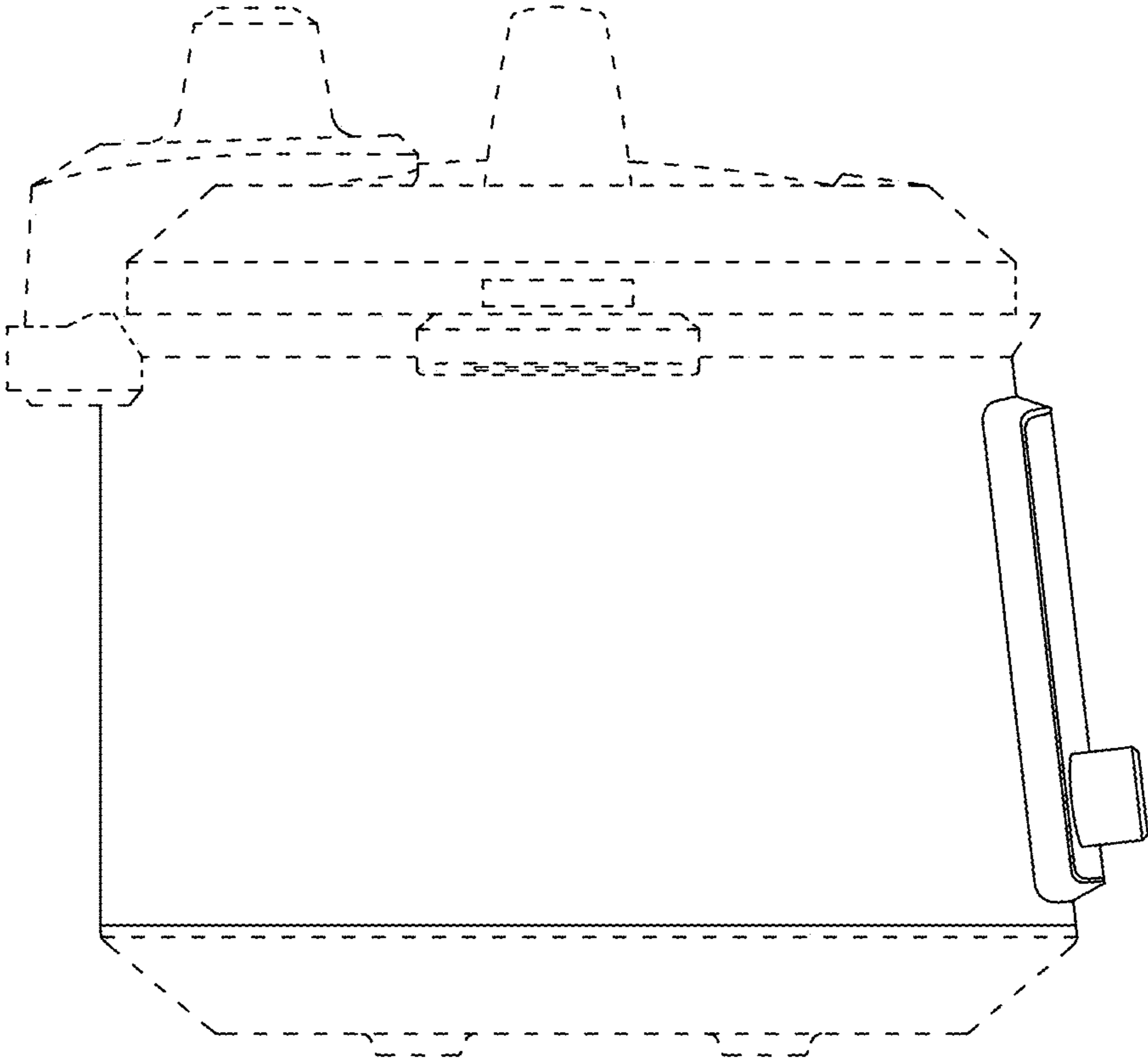


FIG. 7