



US00D915820S

(12) **United States Design Patent** (10) **Patent No.:** **US D915,820 S**
Ni (45) **Date of Patent:** **** Apr. 13, 2021**

(54) **LID FOR BEVERAGE CONTAINER**

(71) Applicant: **Zhenming Ni**, San Marino, CA (US)

(72) Inventor: **Zhenming Ni**, San Marino, CA (US)

(**) Term: **15 Years**

(21) Appl. No.: **29/721,199**

(22) Filed: **Jan. 17, 2020**

(51) **LOC (13) Cl.** **07-99**

(52) **U.S. Cl.**
USPC **D7/392.1; D7/396.2; D9/439; D9/443**

(58) **Field of Classification Search**
USPC D9/434, 435, 439, 440, 442-450,
D9/452-457, 499, 503-505, 682, 685,
D9/686; D7/387, 391, 392, 392.1, 396.1,
D7/396.2, 507, 509-511, 538, 900;
D3/202, 203.2, 294, 318; D28/91, 91.1
CPC .. A61J 1/00; A61J 1/1412; B65D 1/00; B65D
1/02; B65D 1/10; B65D 1/46; B65D
5/46; B65D 41/00; B65D 41/38; B65D
41/56; B65D 41/62; B65D 47/00; B65D
47/06; B65D 47/08; B65D 2251/00;
B65D 2543/00046; B65D 2543/00092;
B65D 2543/00296

See application file for complete search history.

(56) **References Cited**

U.S. PATENT DOCUMENTS

D651,847 S * 1/2012 Gilbert D7/392.1
D656,360 S * 3/2012 Miller D7/396.2
D668,153 S * 10/2012 Mavin D9/443
D680,431 S * 4/2013 Hopkins D9/443
D682,102 S * 5/2013 Davis D9/449
D690,987 S * 10/2013 Gallen D7/392.1
D703,997 S * 5/2014 Munari D7/393
D784,072 S * 4/2017 Baron D7/392.1
D786,012 S * 5/2017 Hein D7/396.2

D806,468 S * 1/2018 Goodwin D9/443
D821,137 S * 6/2018 Boroski D7/392.1
D822,429 S * 7/2018 Washburn D7/396.2
D853,182 S * 7/2019 Adams, Jr. D7/392.1
D862,976 S * 10/2019 Melanson D7/392
D863,874 S * 10/2019 Melanson D7/392.1
D872,524 S * 1/2020 Bo D9/439
D875,466 S * 2/2020 Diener D9/443
D883,735 S * 5/2020 Adams, Jr. D7/392.1
D885,823 S * 6/2020 Ayres D7/900
D889,199 S * 7/2020 Shepard D7/396.2
D894,672 S * 9/2020 Huang D7/392.1
2006/0021524 A1* 2/2006 Liu A47J 31/20
100/116
2016/0318693 A1* 11/2016 Hein B65D 51/242

* cited by examiner

Primary Examiner — Wendy L Arminio

(74) *Attorney, Agent, or Firm* — Tzs Lung Yeung

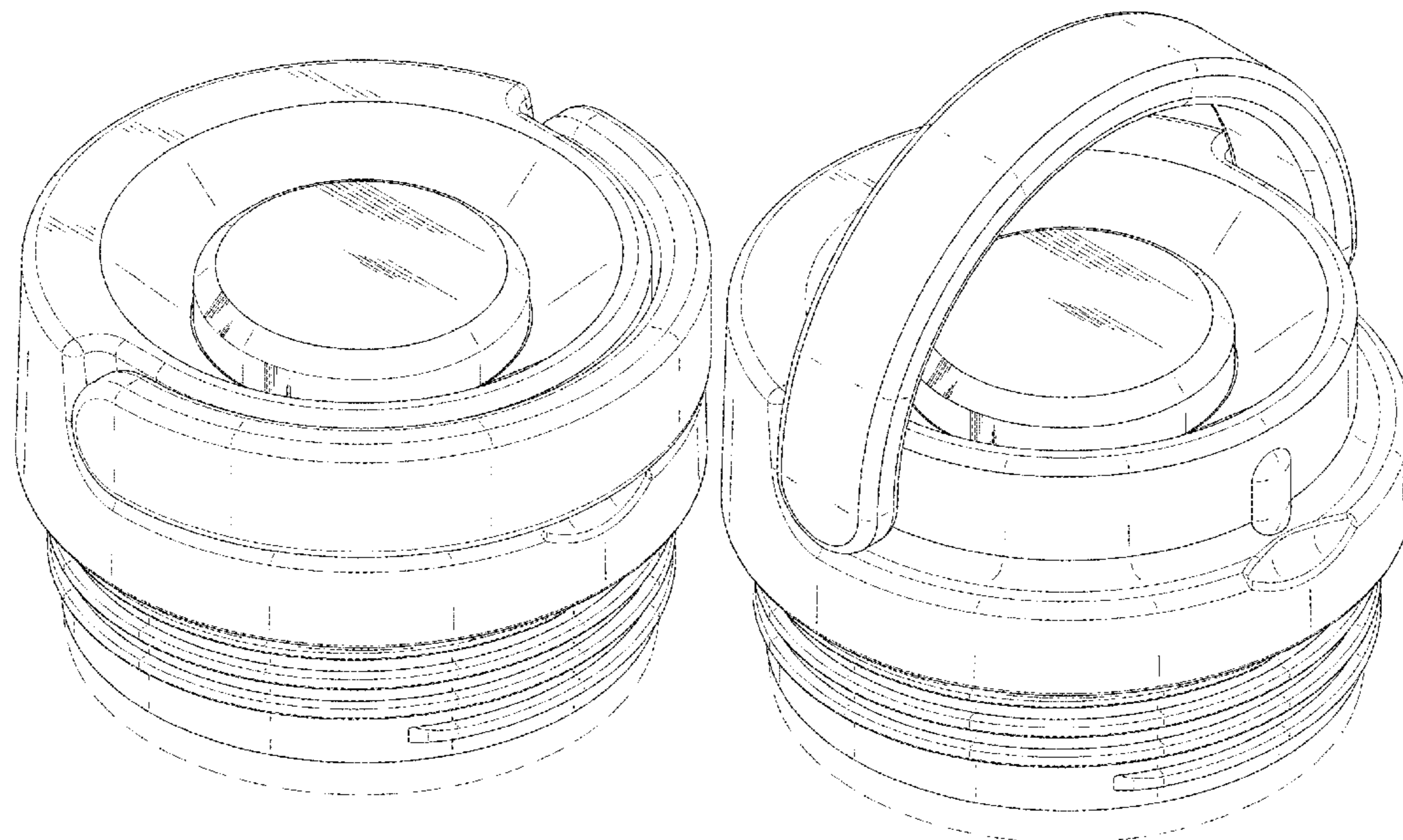
(57) **CLAIM**

The ornamental design for a lid for beverage container, as shown and described.

DESCRIPTION

FIG. 1 is a perspective view of a lid for beverage container showing my new design;
FIG. 2 is a front view thereof;
FIG. 3 is a rear view thereof;
FIG. 4 is a left side view thereof;
FIG. 5 is a right side view thereof;
FIG. 6 is a top view thereof;
FIG. 7 is a bottom view thereof; and,
FIG. 8 is a perspective view thereof, shown in a carrying position.
Graphical shading symbols for metal is used for the center circular element in FIGS. 1, 6 and 8. The broken lines depict portions of the lid for beverage container that form no part of the claimed design.

1 Claim, 8 Drawing Sheets



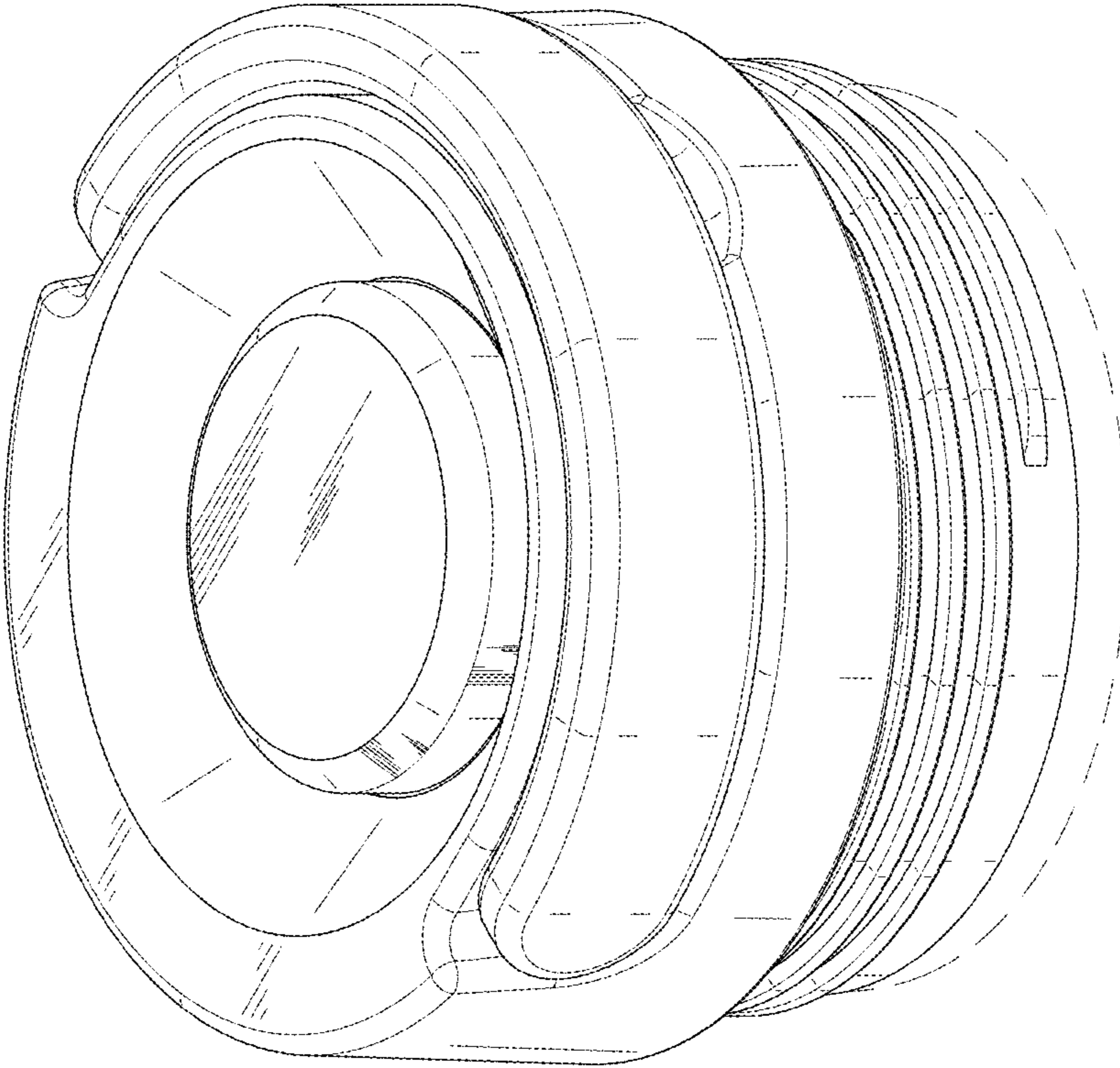


FIG. 1

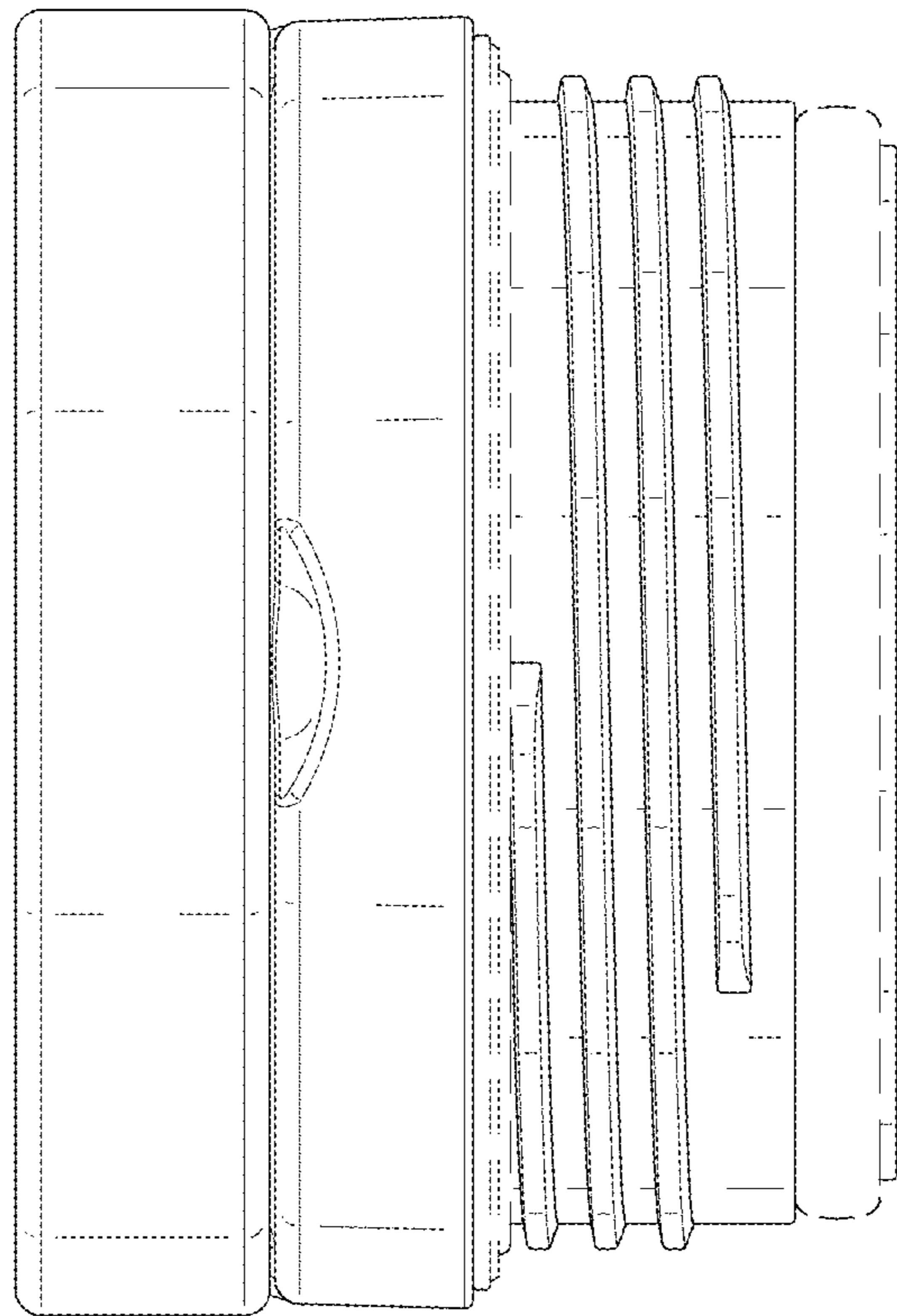


FIG. 2

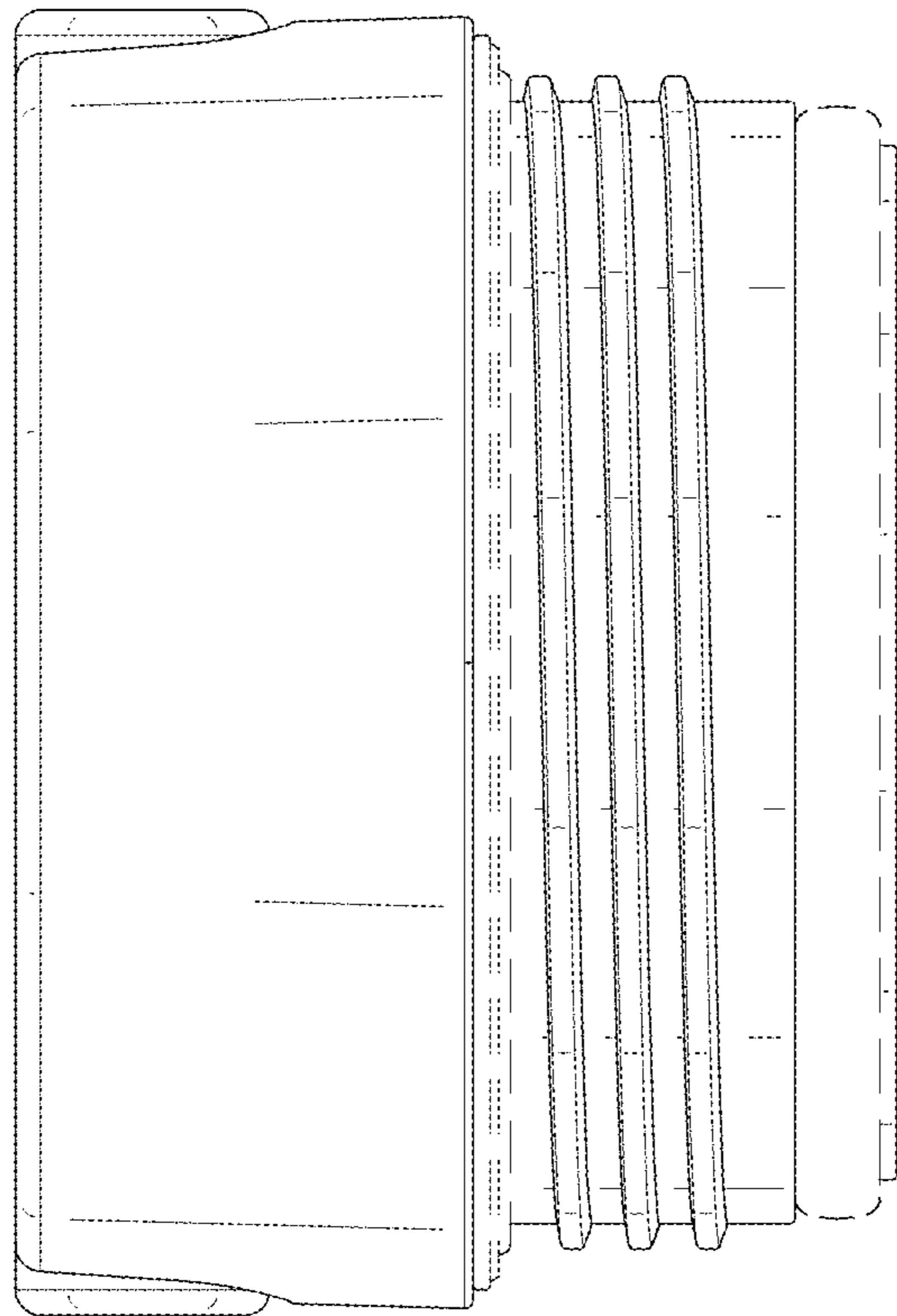


FIG. 3

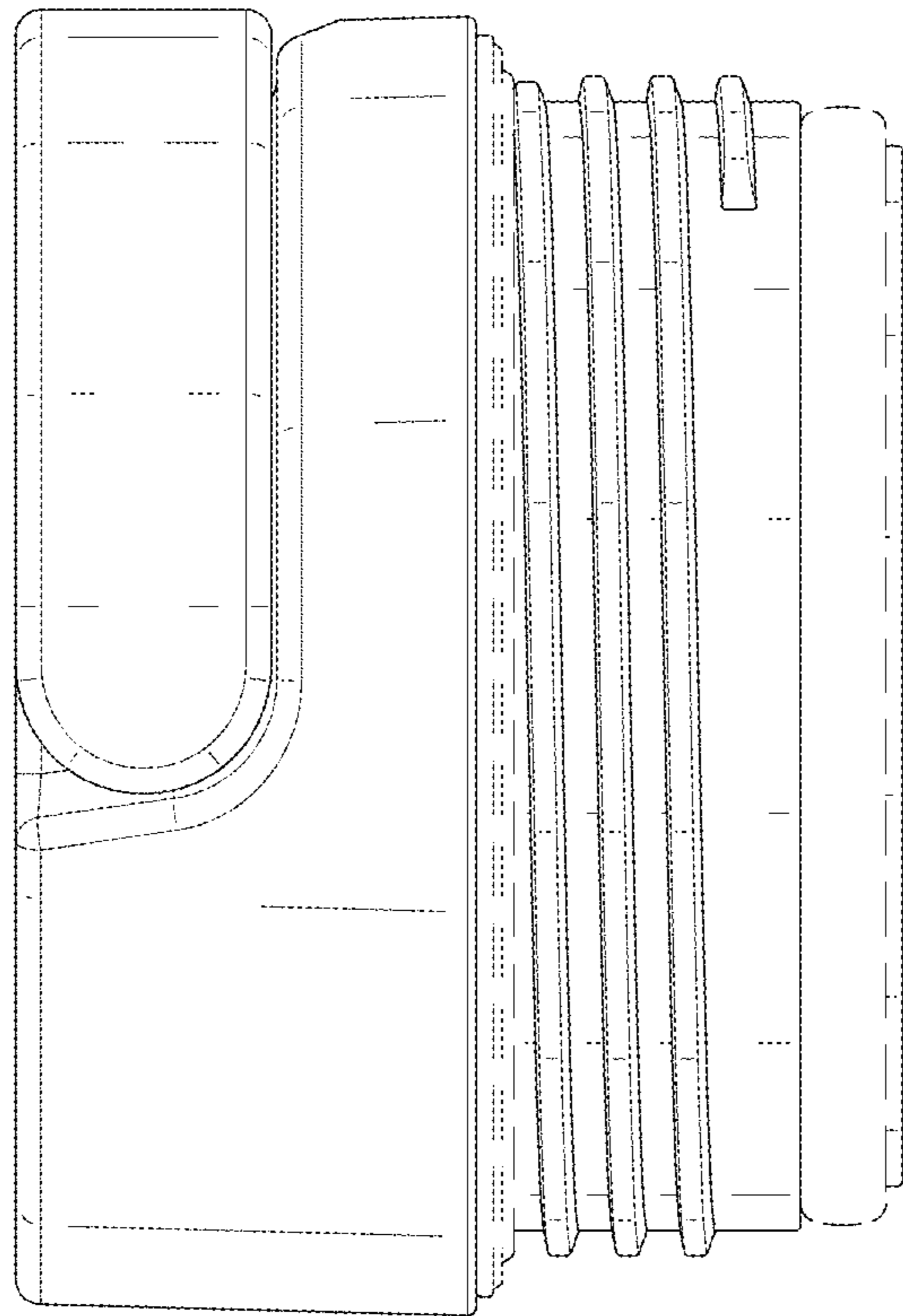


FIG. 4

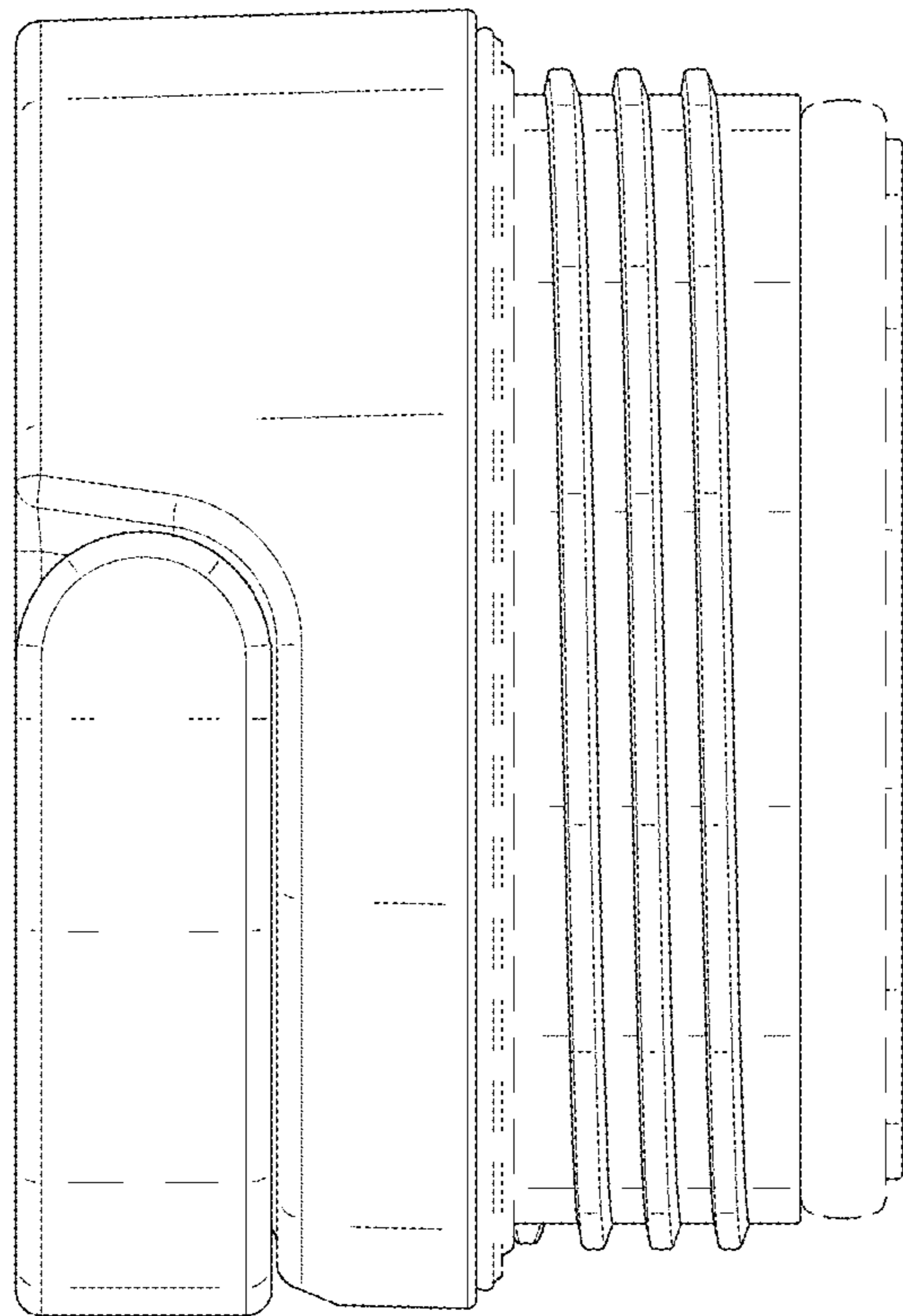


FIG. 5

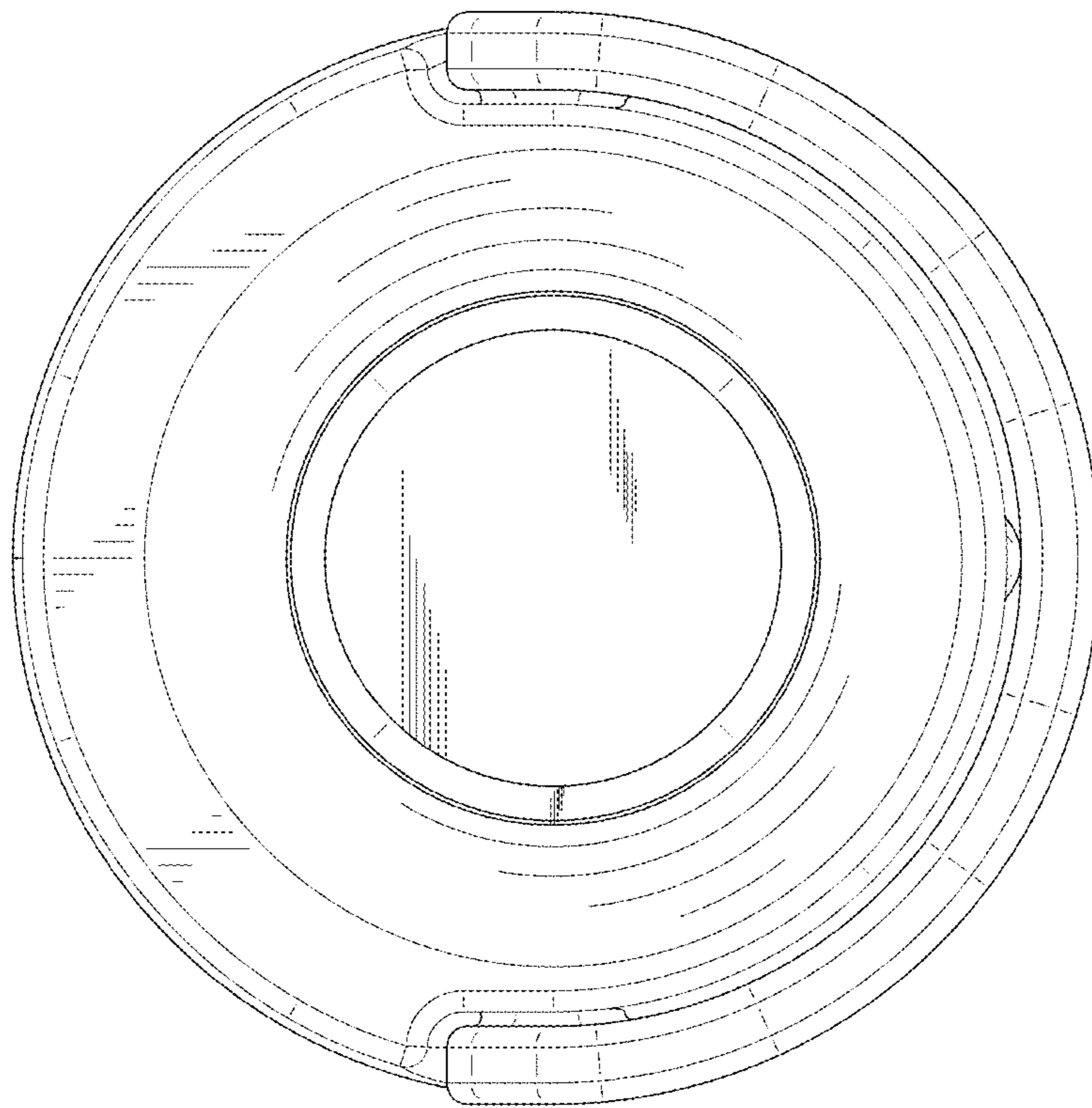


FIG. 6

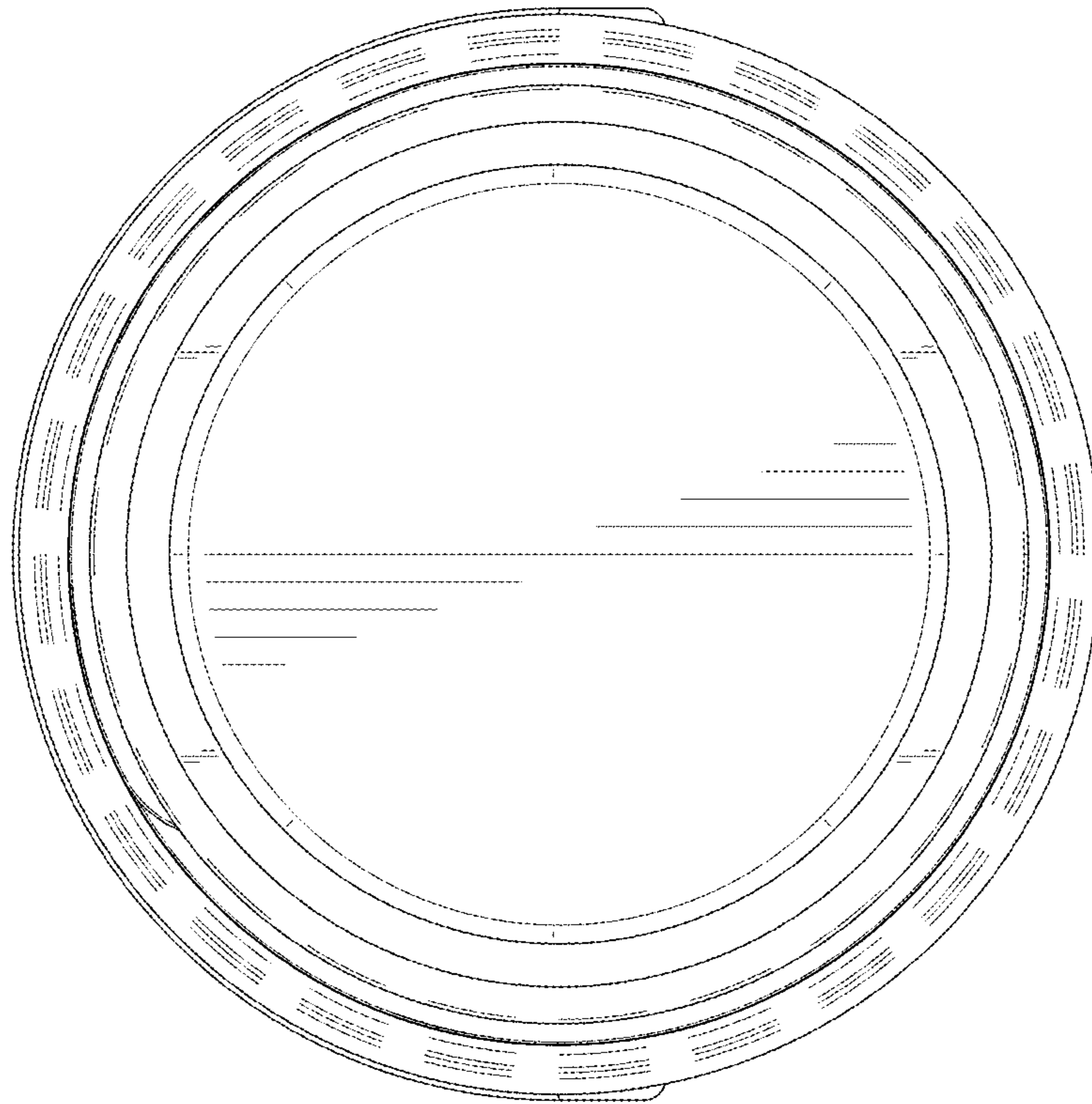


FIG. 7

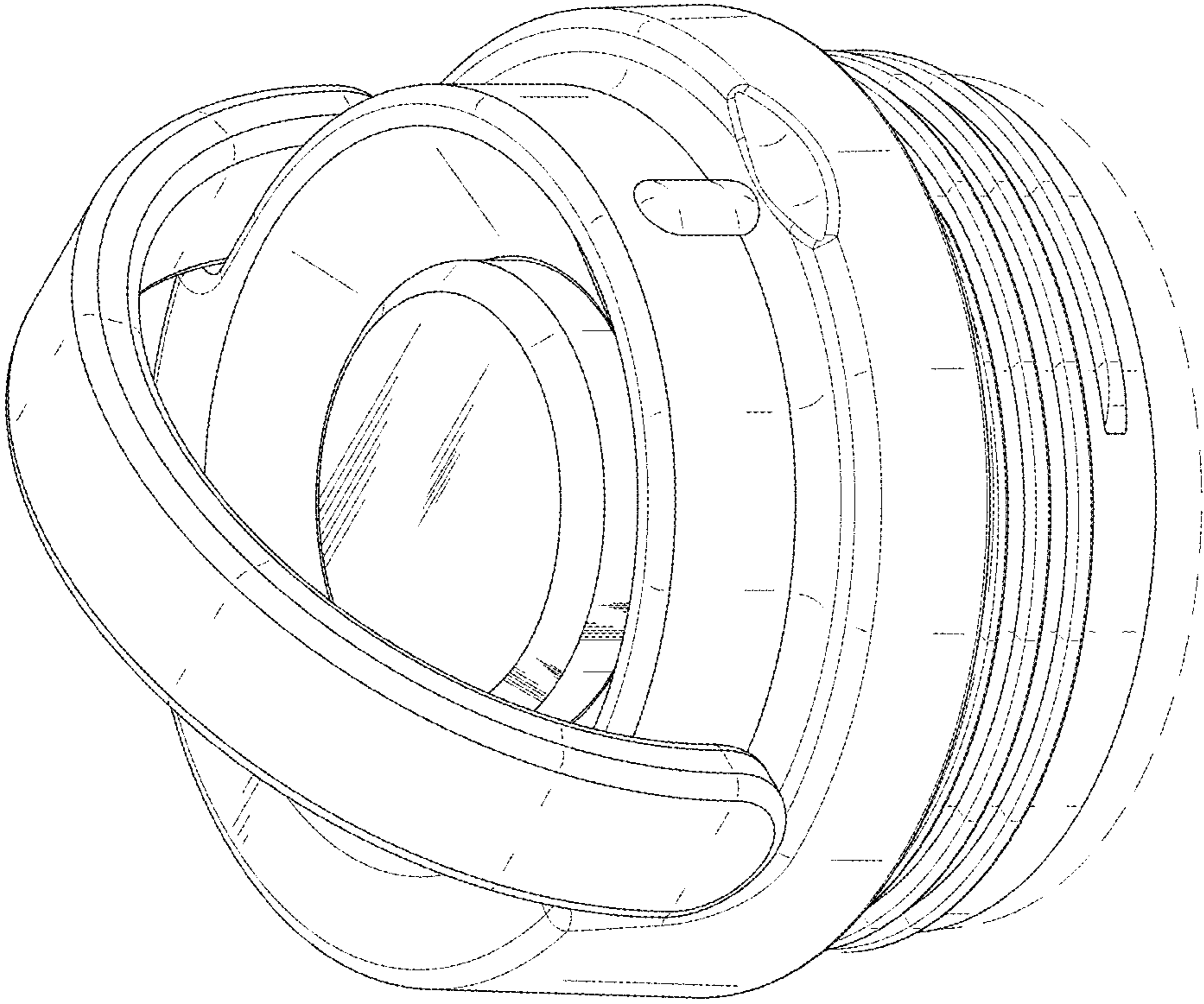


FIG. 8