



US00D915819S

(12) **United States Design Patent** (10) **Patent No.:** **US D915,819 S**
Bourgeois (45) **Date of Patent:** **** Apr. 13, 2021**

(54) **FOOD PROCESSING APPLIANCE**
(71) Applicant: **Conair Corporation**, Stamford, CT (US)
(72) Inventor: **Sophie Bourgeois**, Liege (BE)
(73) Assignee: **Conair Corporation**, Stamford, CT (US)
(**) Term: **15 Years**
(21) Appl. No.: **29/759,608**
(22) Filed: **Nov. 24, 2020**

(56) **References Cited**
U.S. PATENT DOCUMENTS
D410,816 S * 6/1999 Crescenzi D7/384
D654,305 S * 2/2012 Gursel D7/386
D677,976 S * 3/2013 Palermo D7/386
9,924,825 B2 * 3/2018 Zakowski A47J 27/04
D819,394 S * 6/2018 Han D7/384
D845,699 S * 4/2019 Hoff D7/386
D886,513 S * 6/2020 Steiner D7/386
D899,844 S * 10/2020 Ye D7/386
D900,534 S * 11/2020 Ye D7/384
2015/0305564 A1 * 10/2015 Jimenez A47J 36/321
366/141
2017/0080591 A1 * 3/2017 Beber A47J 43/046

Related U.S. Application Data

(62) Division of application No. 29/703,544, filed on Aug. 28, 2019, now Pat. No. Des. 909,123.
(51) **LOC (13) Cl.** **31-00**
(52) **U.S. Cl.**
USPC **D7/384; D7/376; D7/378**
(58) **Field of Classification Search**
USPC D7/372, 374, 376-386, 412-413, 602, D7/607, 629, 665-666, 669, 679, D7/693-694
CPC A21C 1/02; A21C 1/04; A23N 1/00; A23N 1/02; A47B 77/08; A47J 27/04; A47J 36/321; A47J 43/04; A47J 43/25; A47J 43/27; A47J 43/042; A47J 43/044; A47J 43/046; A47J 43/075; A47J 43/0716; A47J 43/0722; A47J 43/0727; B01F 3/00; B01F 3/0807; B01F 3/0853; B01F 11/0008; B01F 13/0059; B01F 13/0064; B02C 1/08; B02C 2/04; B02C 4/42; B02C 4/142; B02C 4/143; B02C 4/423; B02C 13/1835; B28C 5/10; B28C 5/12; B28C 5/14; B28C 5/16

See application file for complete search history.

OTHER PUBLICATIONS

Cuisinart FPC-100 Complete ChefCooking Food Processor. Date First Available on Amazon.com Sep. 29, 2020 <https://www.amazon.com/FPC-100-Complete-ChefCooking-Food-Processor/dp/B08KCSJ1JZ/ref.> (Year: 2020).*

* cited by examiner

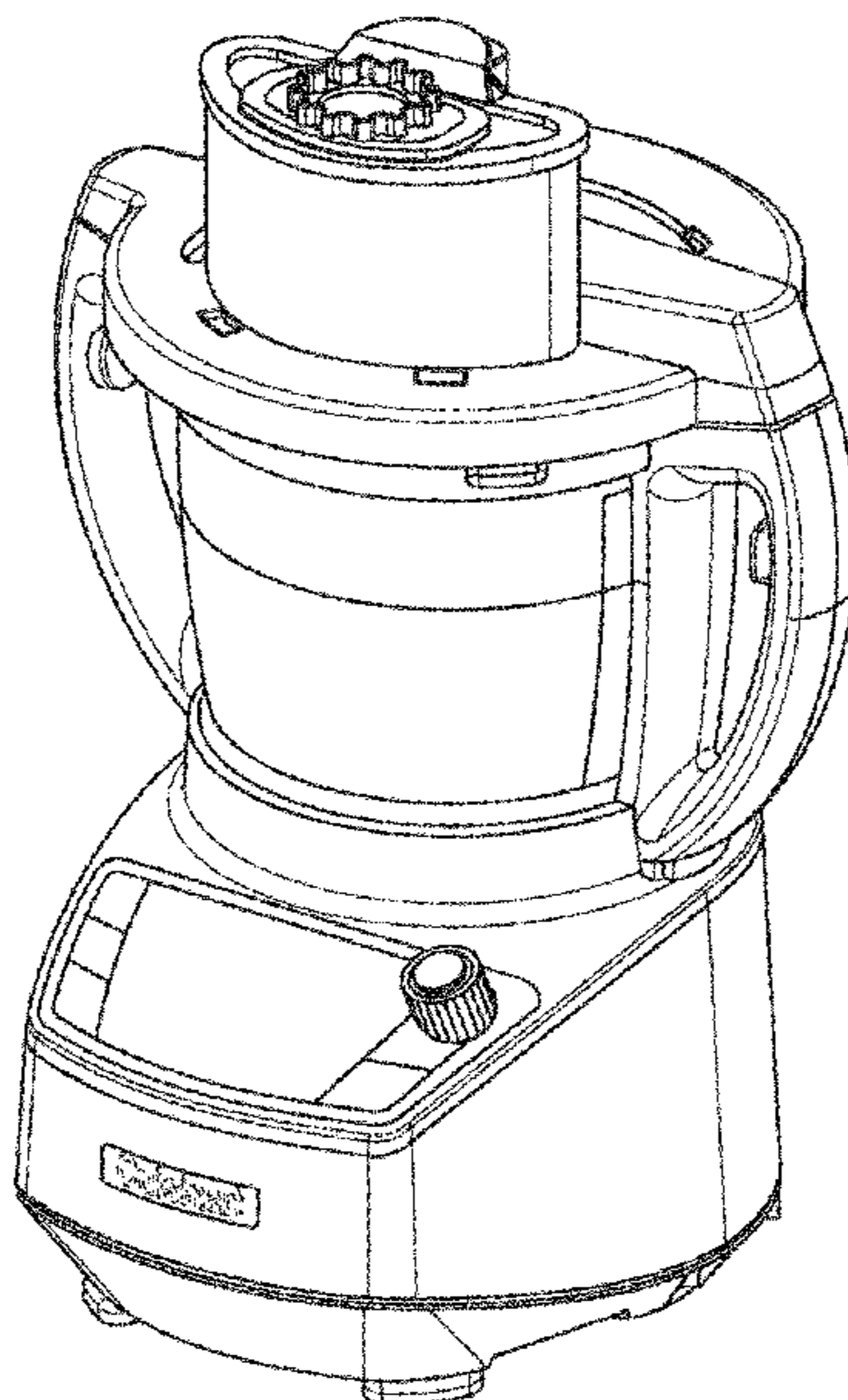
Primary Examiner — Ricky Pham
(74) *Attorney, Agent, or Firm* — McCormick, Paulding & Huber PLLC

(57) **CLAIM**
The ornamental design for a food processing appliance, substantially as shown and described.

DESCRIPTION

FIG. 1 is a front, right side and top perspective view of the food processing appliance comprising a new, original and ornamental design;
FIG. 2 is a front view thereof;
FIG. 3 is a rear view thereof;
FIG. 4 is a left side view thereof;
FIG. 5 is a right side view thereof;
FIG. 6 is a top view thereof; and,
FIG. 7 is a bottom view thereof.

1 Claim, 7 Drawing Sheets



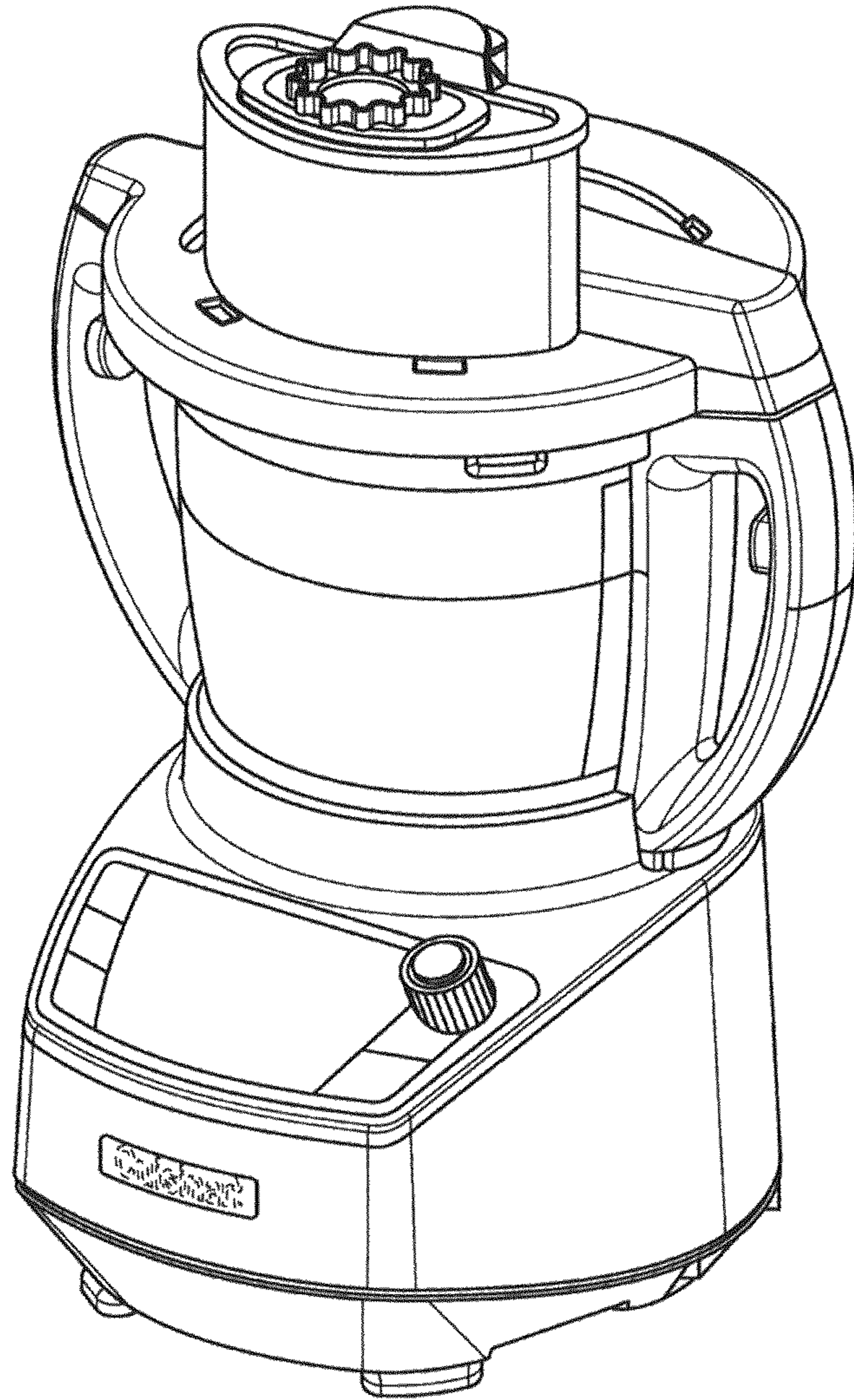


FIG. 1

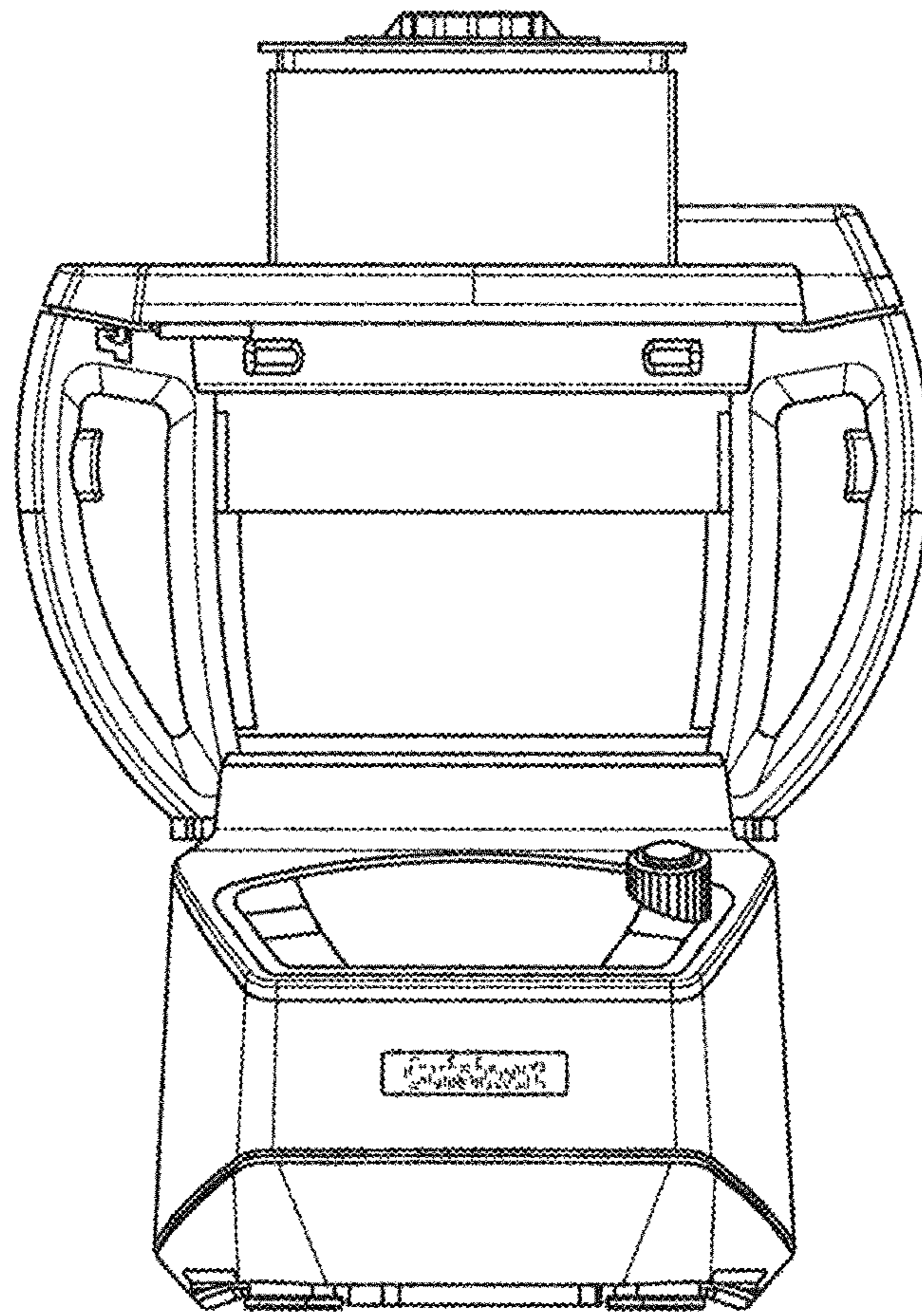


FIG. 2

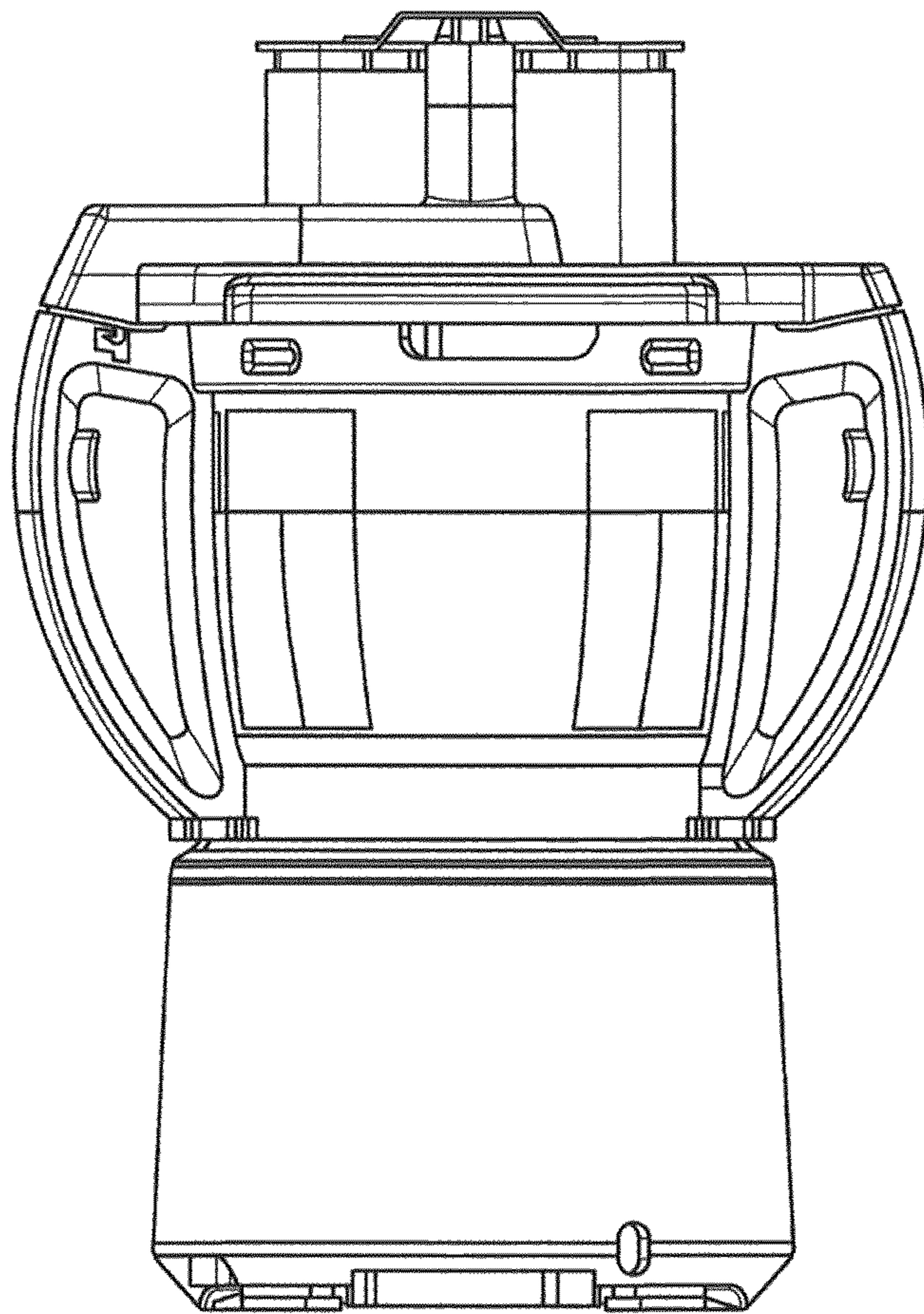


FIG. 3

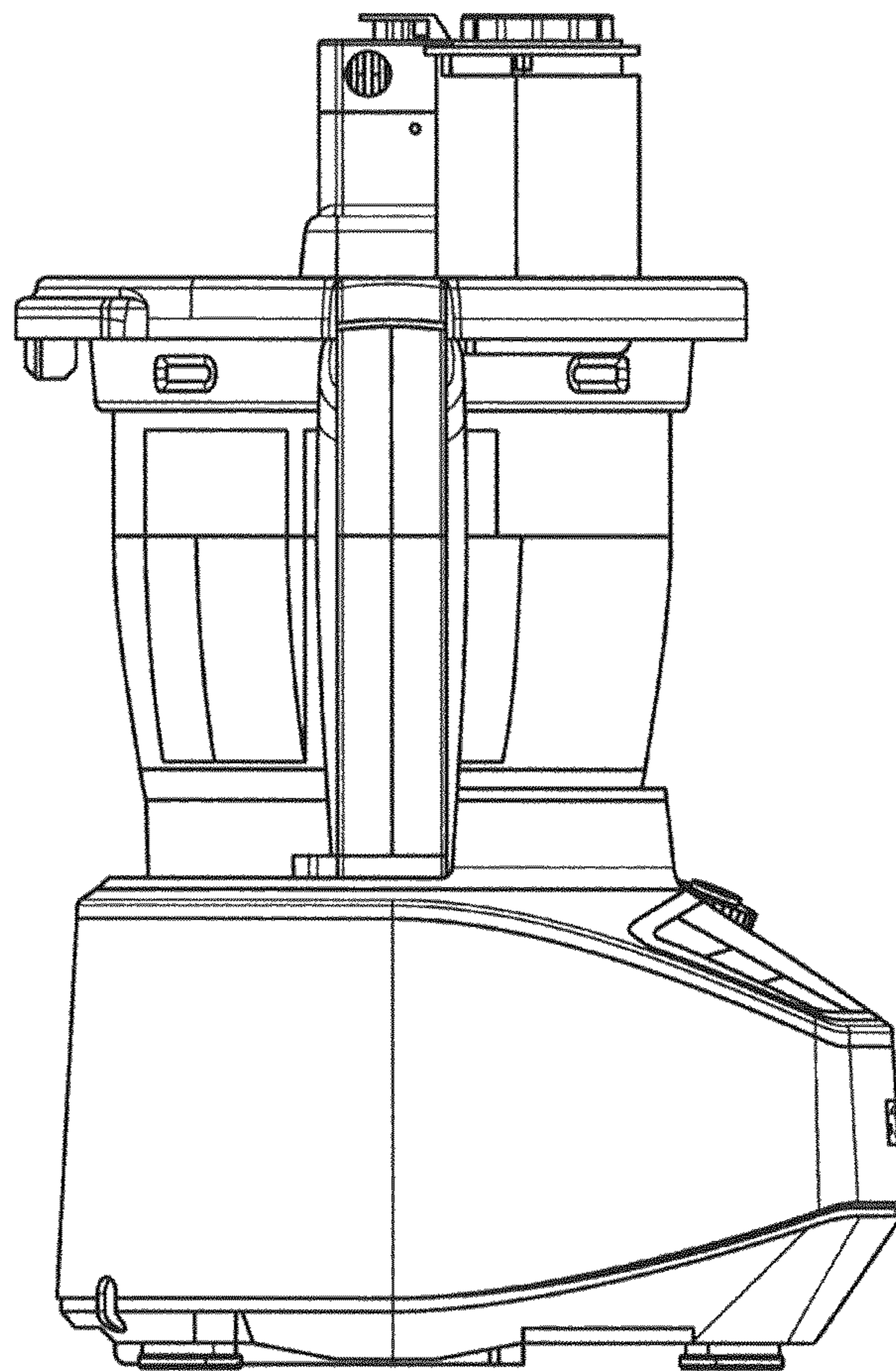


FIG. 4

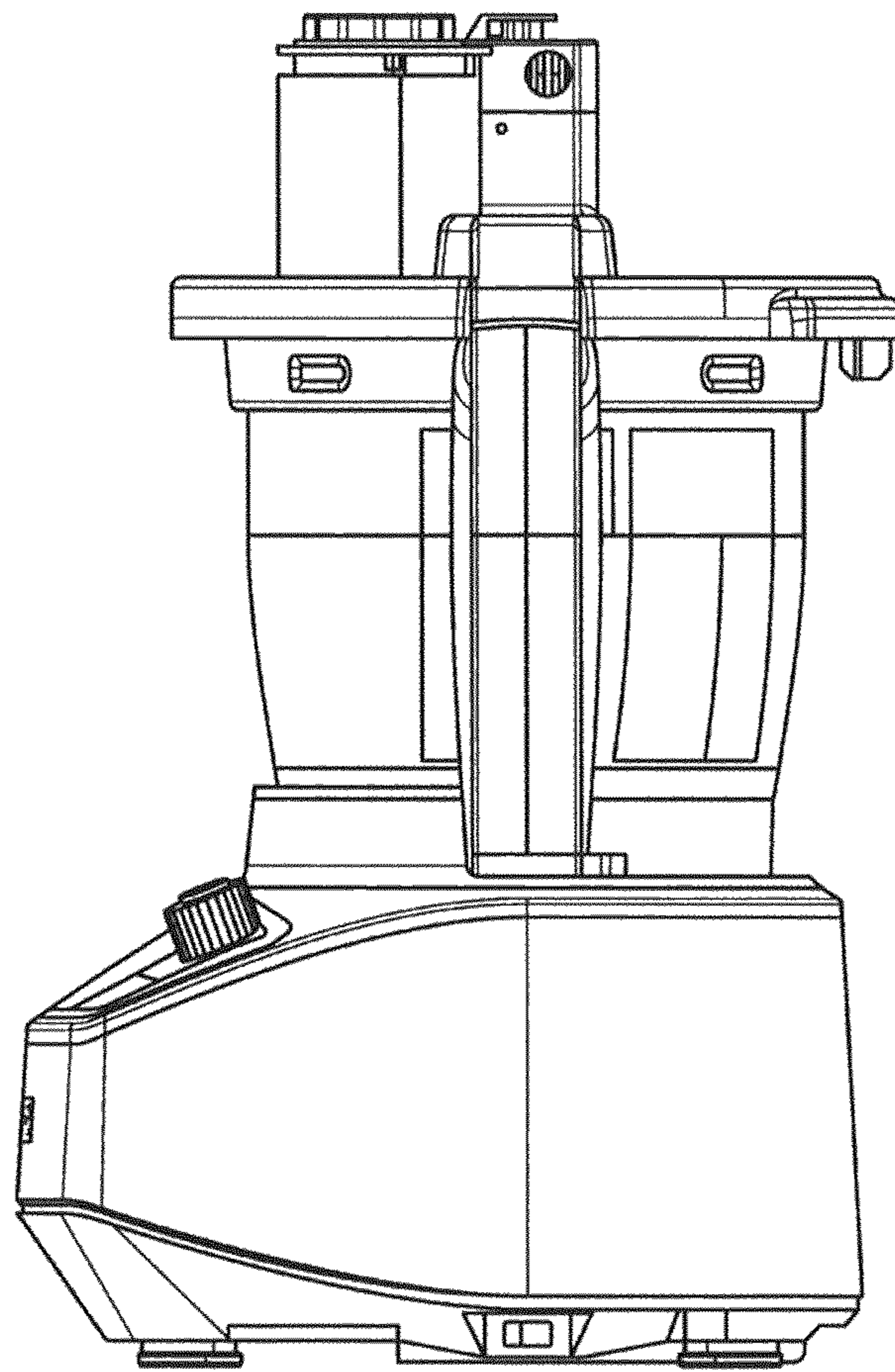


FIG. 5

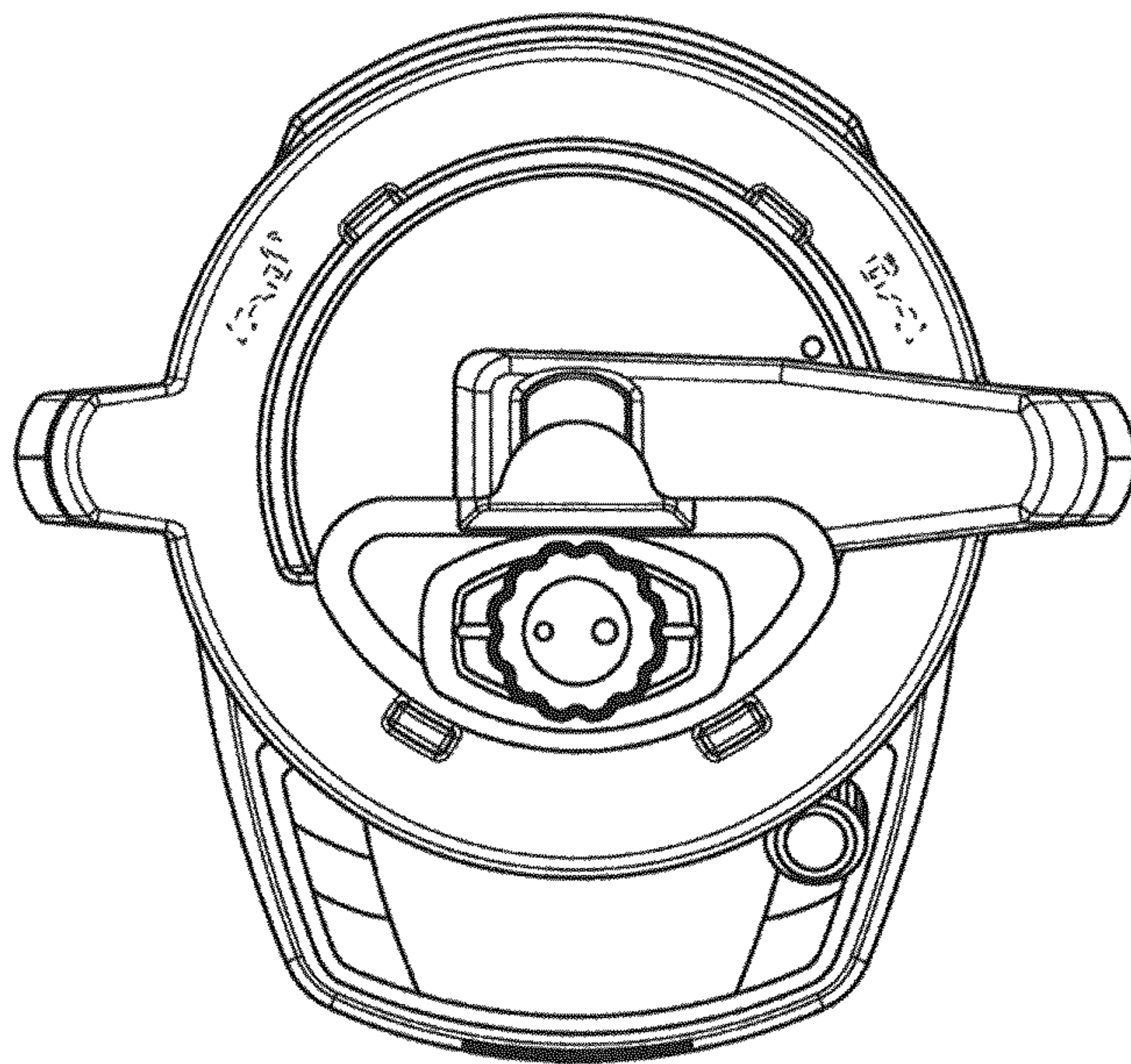


FIG. 6

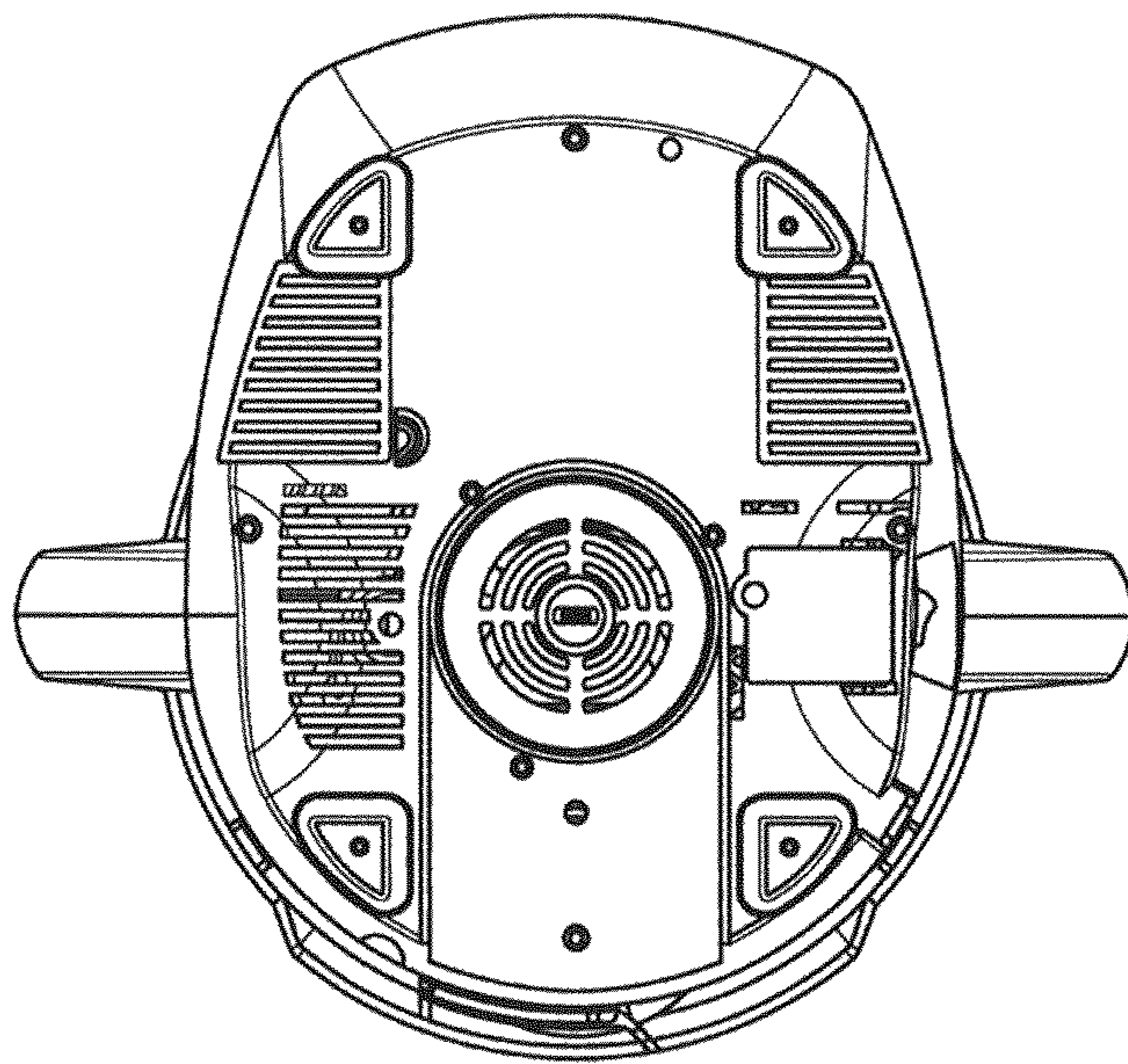


FIG. 7