



US00D915818S

(12) **United States Design Patent** (10) **Patent No.:** **US D915,818 S**  
**He** (45) **Date of Patent:** **\*\* Apr. 13, 2021**

(54) **STIRRER**

(71) Applicant: **Birong He**, Zhuhai (CN)

(72) Inventor: **Birong He**, Zhuhai (CN)

(\*\*) Term: **15 Years**

(21) Appl. No.: **29/720,899**

(22) Filed: **Jan. 16, 2020**

(30) **Foreign Application Priority Data**

Aug. 30, 2019 (CN) ..... 201930476806.1

(51) **LOC (13) Cl.** ..... **31-00**

(52) **U.S. Cl.**  
USPC ..... **D7/380**

(58) **Field of Classification Search**

USPC ..... D7/323, 331, 352, 354, 355, 356, 357,  
D7/358, 359, 360, 361, 362, 363, 364,  
D7/365, 366, 372, 373, 376, 377, 380,  
D7/402, 409, 410, 412, 414, 611, 678,  
D7/679, 753; D3/304; D9/736, 749,  
D9/755, 758, 760, 456; D1/105, 123,  
D1/124

(Continued)

(56) **References Cited**

**U.S. PATENT DOCUMENTS**

D121,299 S \* 7/1940 Krebs ..... D7/379  
D313,533 S \* 1/1991 Rixen ..... D7/380

(Continued)

**OTHER PUBLICATIONS**

Nestpark Portable Drink Mixer Small Handheld Electric Stick Blender, announced Apr. 11, 2016 [online], retrieved Dec. 16, 2020, retrieved from internet, <https://www.amazon.com/Nestpark-Portable->

Handheld-Electric-Blender/dp/B01E45VBFO/ref=asc\_df\_B01E45VBFO/?tag=hyprod-20&linkCode=df0&hvadid=167135816306&hvpos=&h.\*

(Continued)

*Primary Examiner* — Dana K Weiland

*Assistant Examiner* — Messina L Smith

(74) *Attorney, Agent, or Firm* — Whiteford, Taylor & Preston, LLP; Peter J. Davis

(57) **CLAIM**

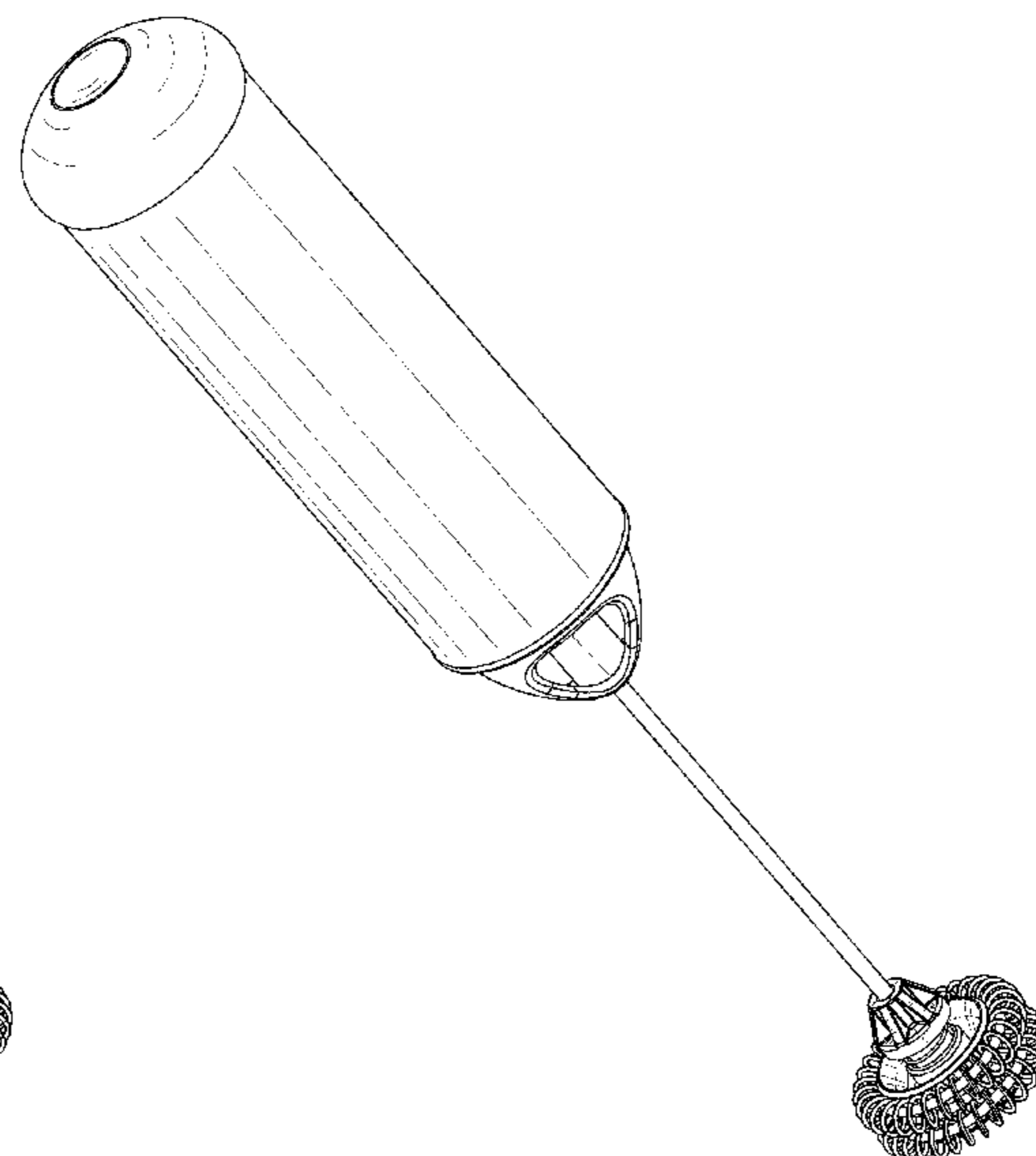
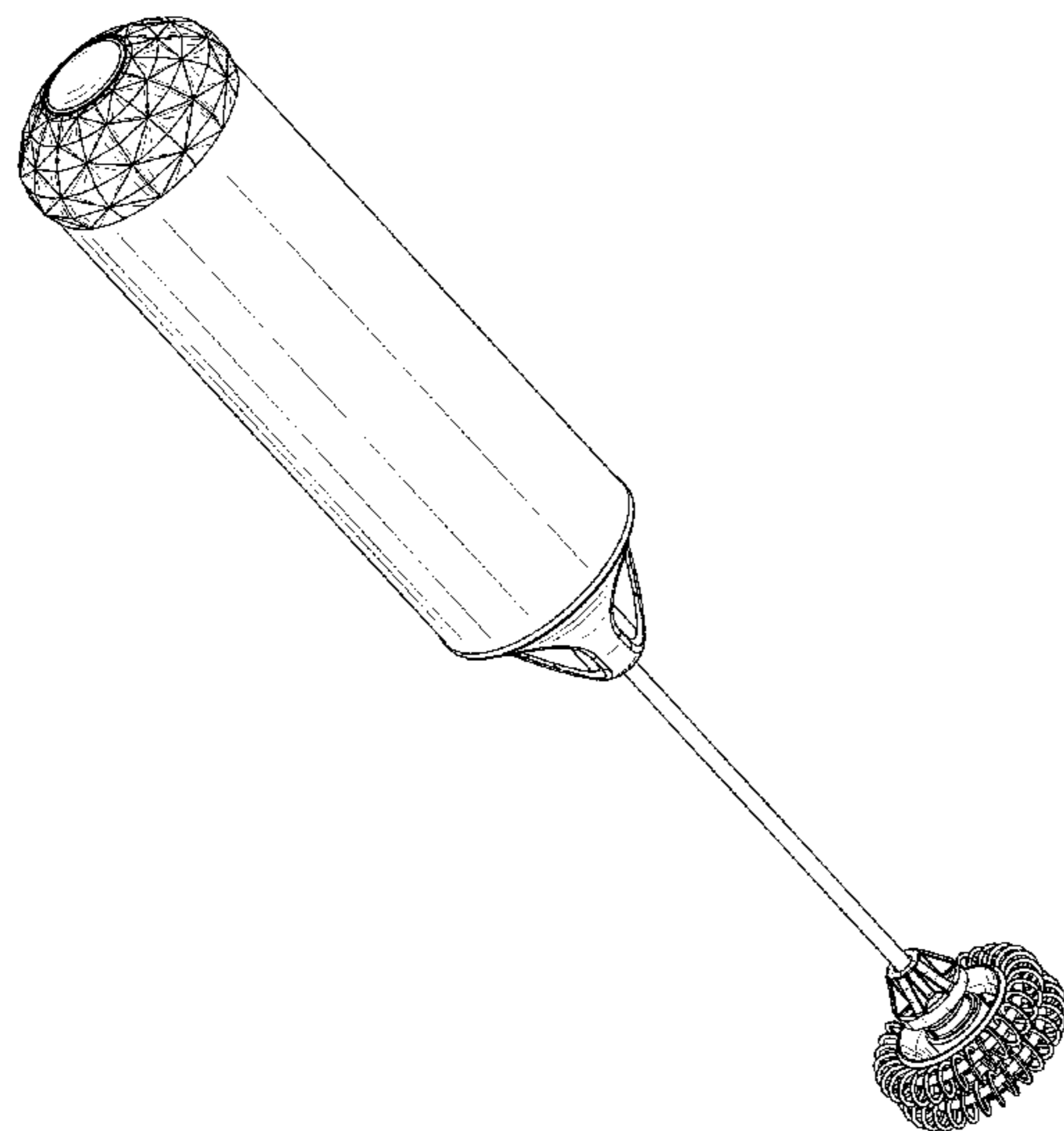
I claim the ornamental design for a stirrer, as shown and described.

**DESCRIPTION**

FIG. 1 is a front view of a stirrer showing my new design, shown in a first embodiment;  
FIG. 2 is a rear view thereof;  
FIG. 3 is a left-side view thereof;  
FIG. 4 is a right-side view thereof;  
FIG. 5 is a top view thereof;  
FIG. 6 is a bottom view thereof;  
FIG. 7 is a front perspective view thereof; and  
FIG. 8 is a bottom perspective view thereof;  
FIG. 9 is a front view of the stirrer shown in a second embodiment;  
FIG. 10 is a rear view of the embodiment shown in FIG. 9;  
FIG. 11 is a left-side view of the embodiment shown in FIG. 9;  
FIG. 12 is a right-side view of the embodiment shown in FIG. 9;  
FIG. 13 is a top view of the embodiment shown in FIG. 9;  
FIG. 14 is a bottom view of the embodiment shown in FIG. 9;  
FIG. 15 is a rear perspective view of the embodiment shown in FIG. 9; and,  
FIG. 16 is a bottom perspective view of the embodiment shown in FIG. 9.

The broken lines shown in the drawings are for the purpose of illustrating portions of the stirrer that form no part of the claimed design.

**1 Claim, 16 Drawing Sheets**



(58) **Field of Classification Search**

CPC .. A21B 3/00; A21B 3/13; A21B 3/131; A21B 3/132; A21B 3/135; A21B 3/136; A21B 3/137; A21B 3/15; A21B 5/00; A21B 5/02; A21B 5/04; A47J 29/00; A47J 29/02; A47J 29/06; A47J 36/00; A47J 36/02; A47J 36/06; A47J 36/16; A47J 36/24; A47J 36/022; A47J 36/027; A47J 37/00; A47J 37/01; A47J 37/04; A47J 37/06; A47J 37/10; A47J 37/07; A47J 43/20; A47G 19/28; F25D 2331/807

See application file for complete search history.

(56) **References Cited**

U.S. PATENT DOCUMENTS

D452,111 S \* 12/2001 Lane ..... A47J 43/0711 D7/376  
 6,558,035 B2 \* 5/2003 Lane ..... A47J 43/0705 366/129  
 D490,647 S \* 6/2004 Buesching ..... D7/379  
 D500,631 S \* 1/2005 Ranzoni ..... D7/376  
 D533,023 S \* 12/2006 Lo ..... D7/379  
 D653,452 S \* 2/2012 Chang ..... D3/304  
 D655,568 S \* 3/2012 Chapman ..... D7/380  
 D703,481 S \* 4/2014 Lownds ..... D7/380  
 D756,166 S \* 5/2016 Lee ..... D7/380  
 D783,339 S \* 4/2017 Mullen ..... D7/379  
 D840,739 S \* 2/2019 Li ..... D7/354  
 D845,060 S \* 4/2019 Joyner ..... D7/355  
 D853,776 S \* 7/2019 Xu ..... D7/354  
 D856,746 S \* 8/2019 Du ..... D7/380

D880,933 S \* 4/2020 Symons ..... D7/380  
 D881,636 S \* 4/2020 Symons ..... D7/380  
 D884,413 S \* 5/2020 Zhu ..... D7/380  
 D891,851 S \* 8/2020 Joyner ..... D7/355  
 D897,145 S \* 9/2020 Xiao ..... D7/380

OTHER PUBLICATIONS

MUD Whip, announced Feb. 2020 [online], retrieved Dec. 16, 2020, retrieved from internet, [https://mudwtr.com/products/mud-whip?variant=31474781978678&currency=USD&utm\\_medium=product\\_sync&utm\\_source=google&utm\\_content=sag\\_organic&utm\\_campaign=sag\\_organic&utm\\_source=google&utm\\_medium=cpc&utm\\_campaign=smartsho.\\*](https://mudwtr.com/products/mud-whip?variant=31474781978678&currency=USD&utm_medium=product_sync&utm_source=google&utm_content=sag_organic&utm_campaign=sag_organic&utm_source=google&utm_medium=cpc&utm_campaign=smartsho.*)

Zulay Original Milk Frother Handheld Foam Maker for Lattes, announced Dec. 1, 2016 [online], retrieved Dec. 16, 2020, retrieved from internet, [https://www.amazon.com/Zulay-Milk-Frother-Handheld-Operated/dp/B074ZL35DH/ref=asc\\_df\\_B074ZL35DH/?tag=hyprod-20&linkCode=df0&hvadid=198060165080&hvpos=&hvnetw=g&hvrand.\\*](https://www.amazon.com/Zulay-Milk-Frother-Handheld-Operated/dp/B074ZL35DH/ref=asc_df_B074ZL35DH/?tag=hyprod-20&linkCode=df0&hvadid=198060165080&hvpos=&hvnetw=g&hvrand.*)

Electric Handheld Milk Frother, announced © 2020 [online], retrieved Dec. 16, 2020, retrieved from internet, [https://www.macys.com/shop/product/ovente-electric-handheld-milk-frother?ID=11046051&pla\\_country=US&CAGPSPN=pla&cm\\_mmc=Google\\_SH\\_PLA\\_Cookware\\_-\\_GS\\_Cookware\\_PLA\\_Cookware\\_Small\\_Brands\\_-\\_314017839079\\_-\\_pg10.\\*](https://www.macys.com/shop/product/ovente-electric-handheld-milk-frother?ID=11046051&pla_country=US&CAGPSPN=pla&cm_mmc=Google_SH_PLA_Cookware_-_GS_Cookware_PLA_Cookware_Small_Brands_-_314017839079_-_pg10.*)

Gemini's Silver Electric Stirrer, announced Jul. 2020 [online], retrieved Dec. 16, 2020, retrieved from internet, [https://www.hautelook.com/s/berg-hoff-gemini-silver-electric-stirrer/n600595?color=NO%20COLOR.\\*](https://www.hautelook.com/s/berg-hoff-gemini-silver-electric-stirrer/n600595?color=NO%20COLOR.*)

\* cited by examiner

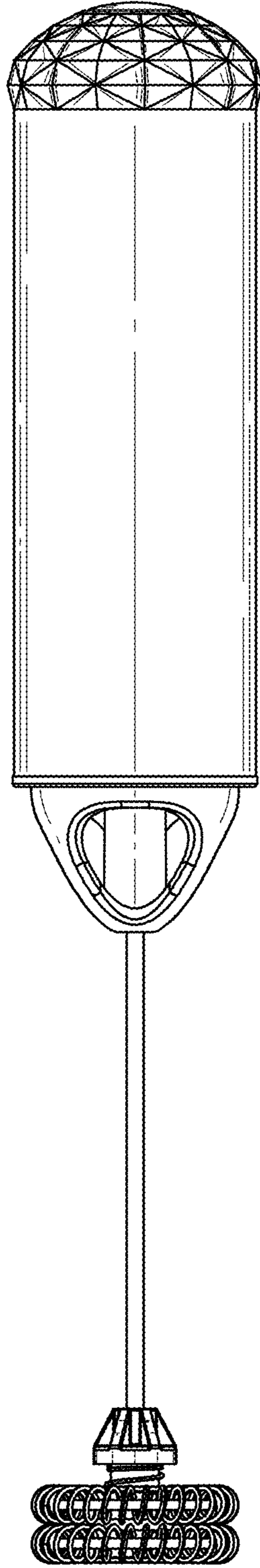


FIG. 1

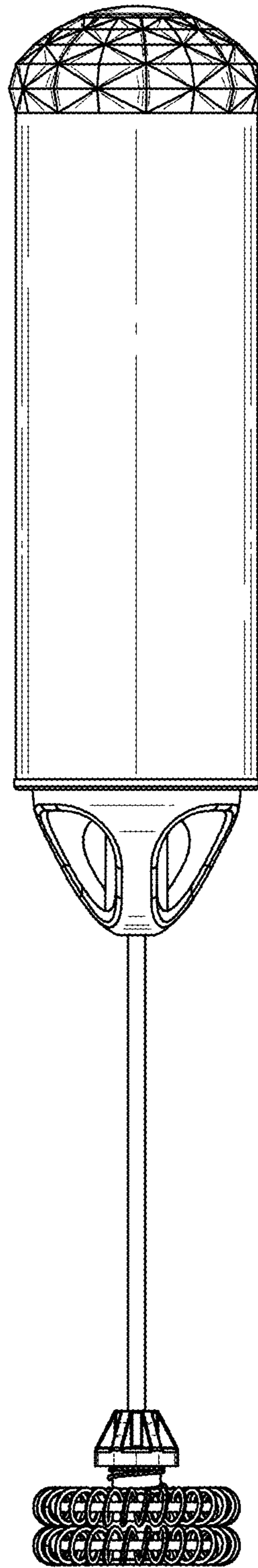


FIG. 2

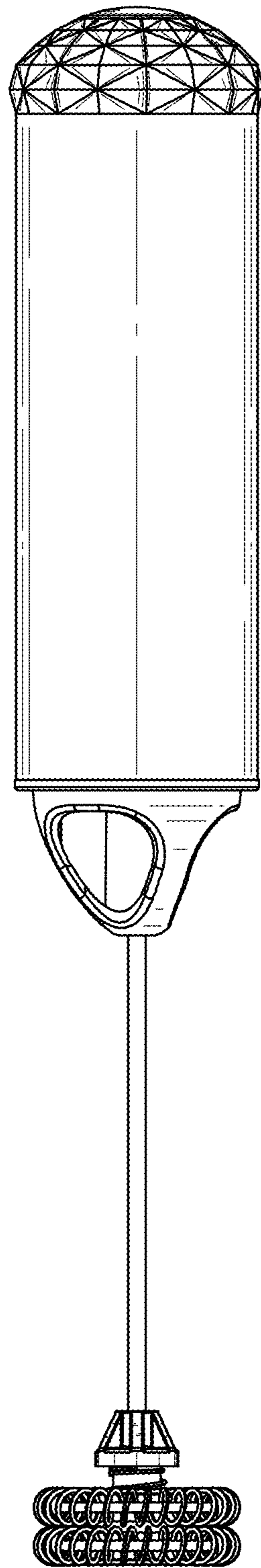


FIG. 3

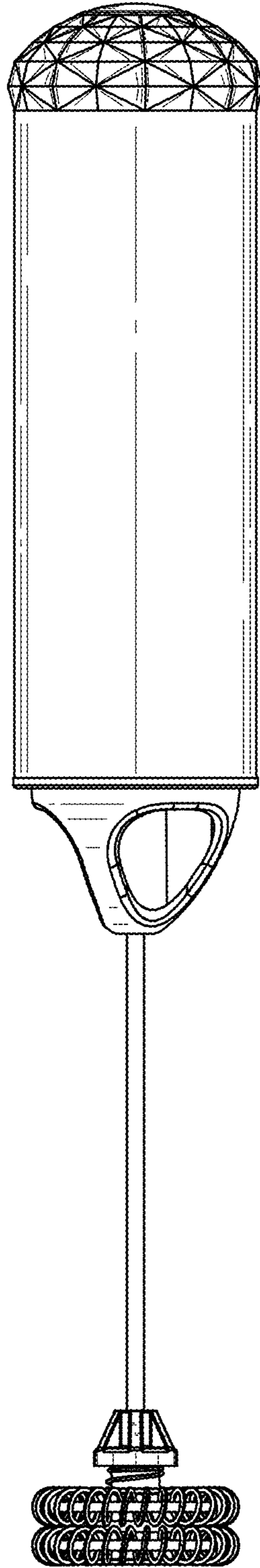


FIG. 4

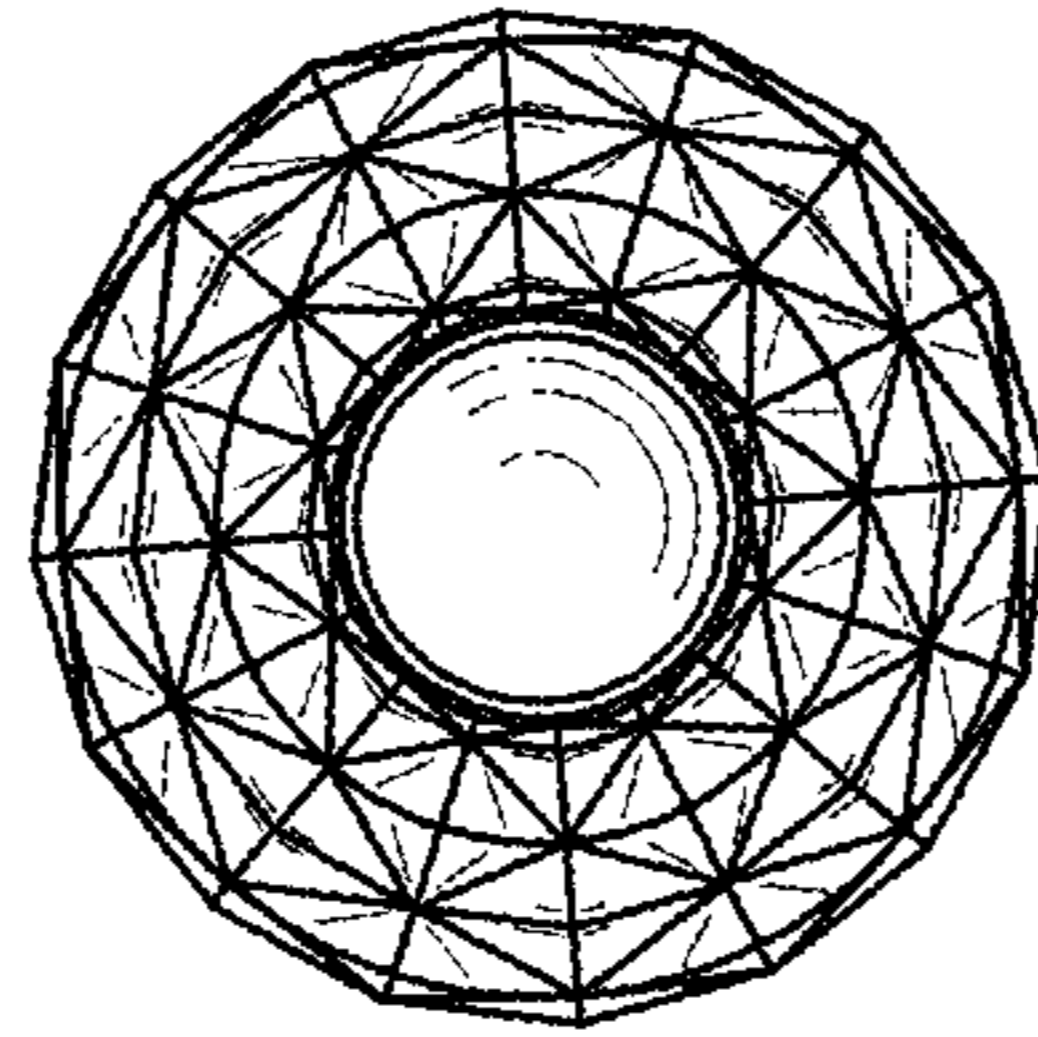


FIG. 5

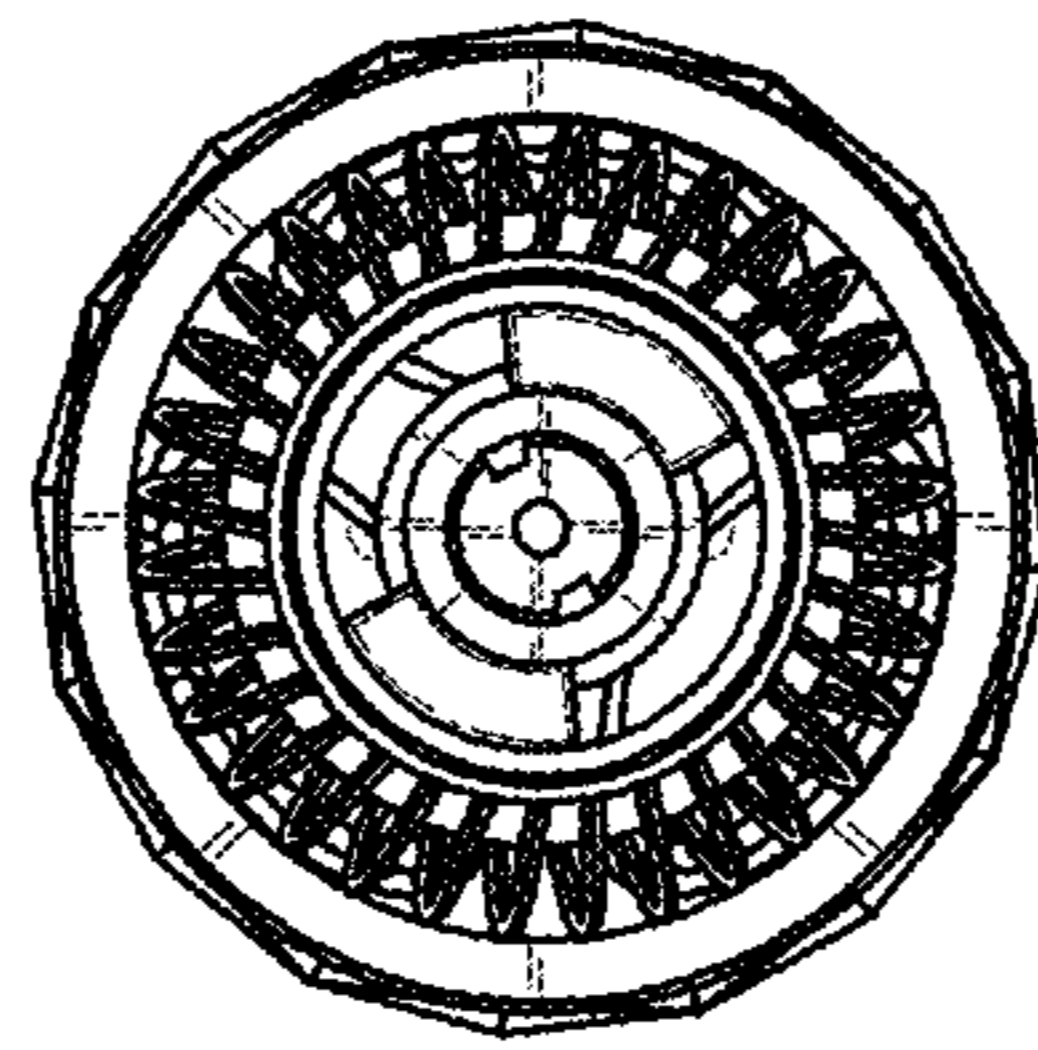


FIG. 6



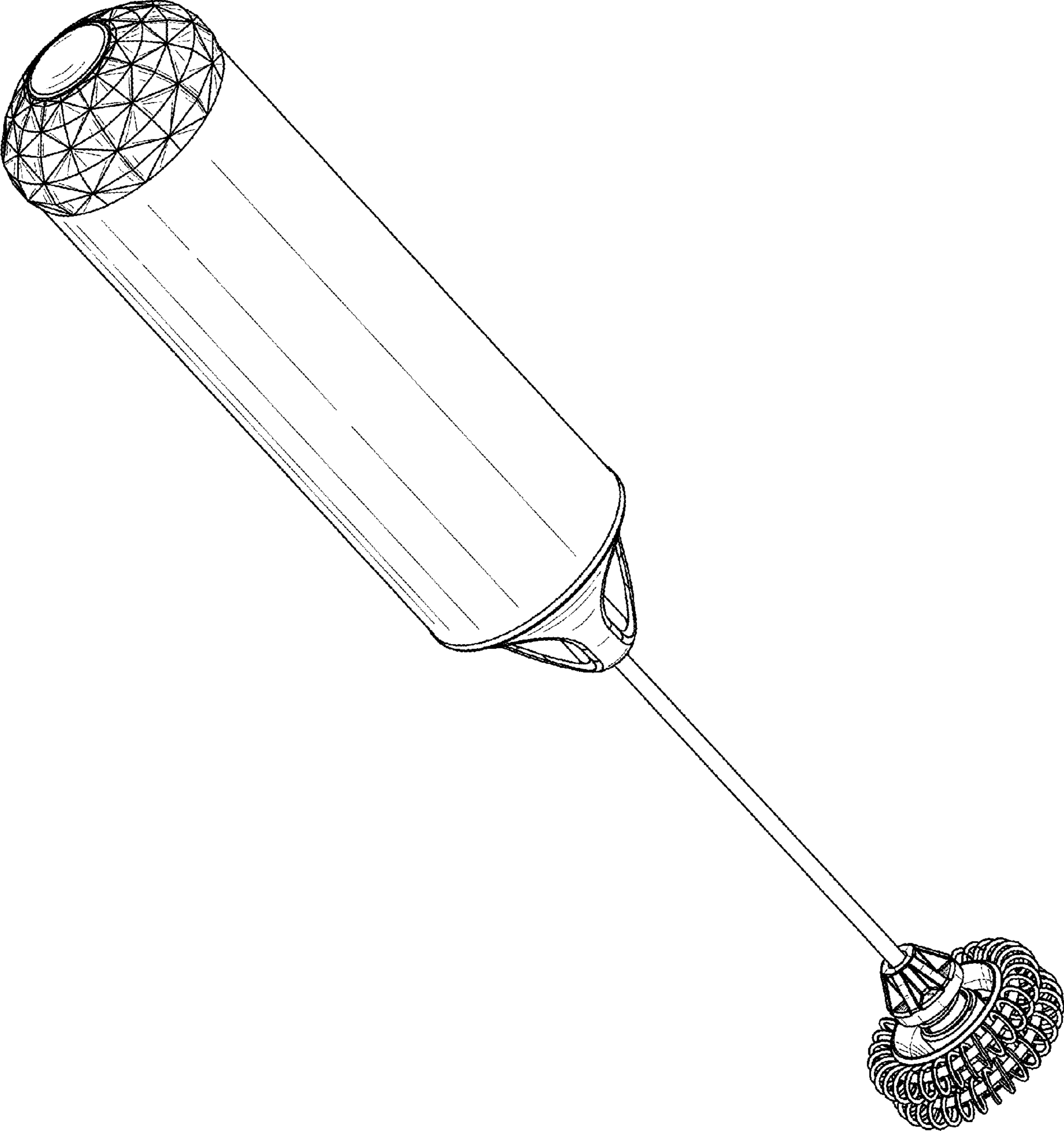


FIG. 7

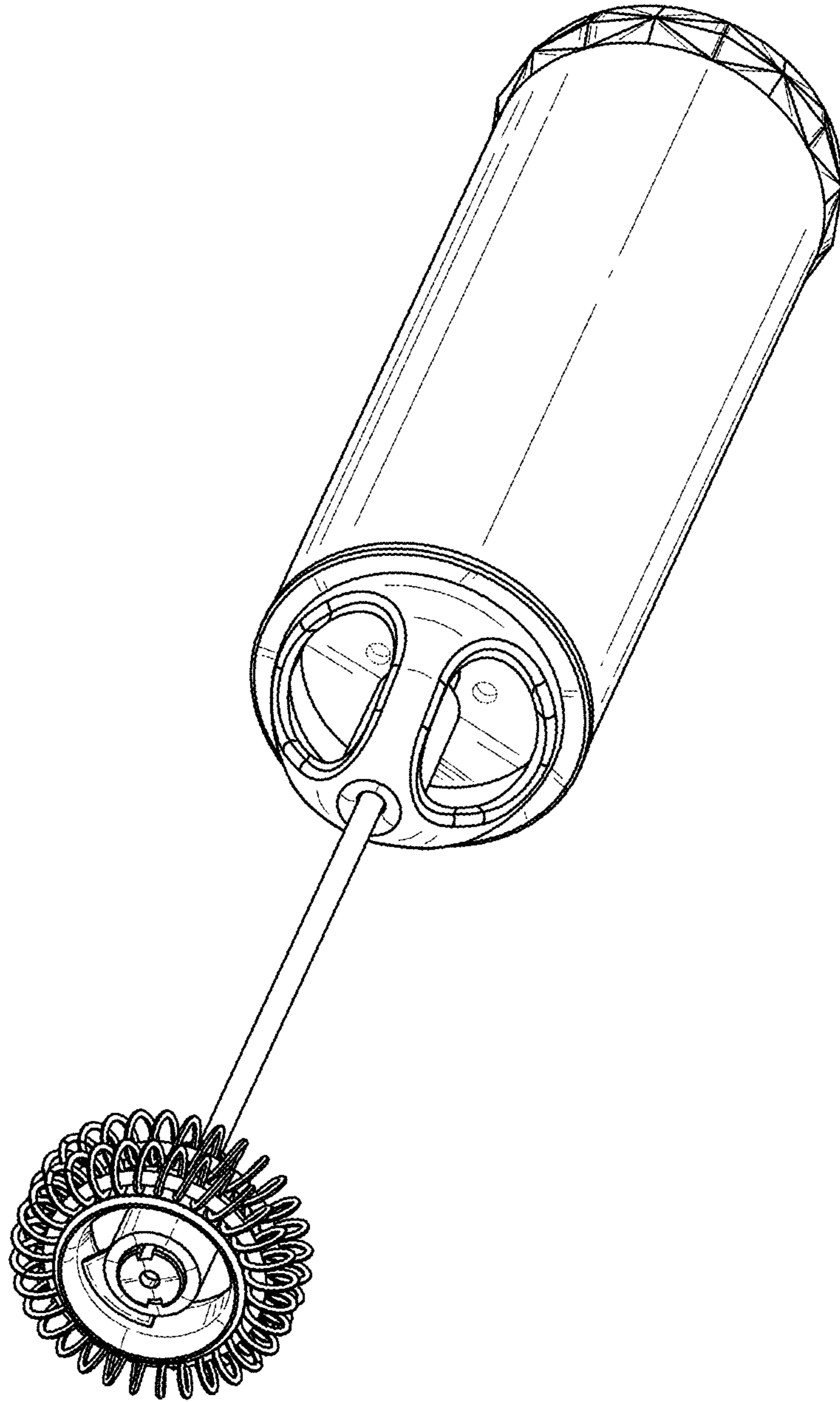


FIG. 8

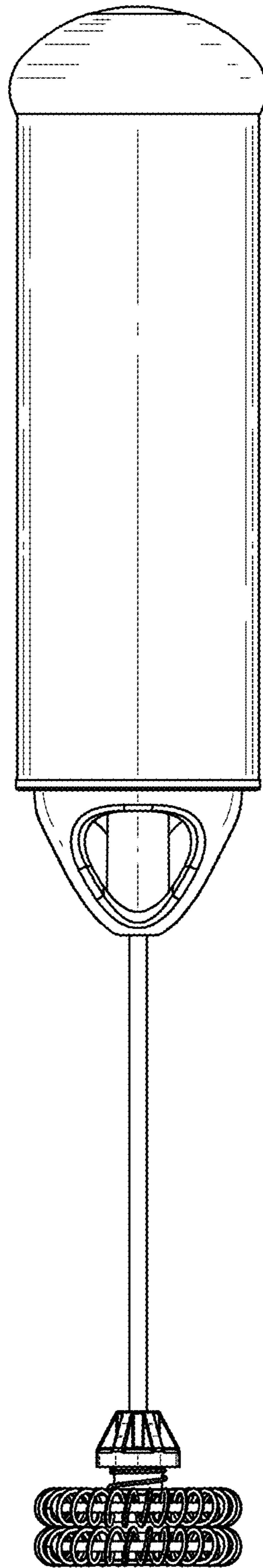


FIG. 9

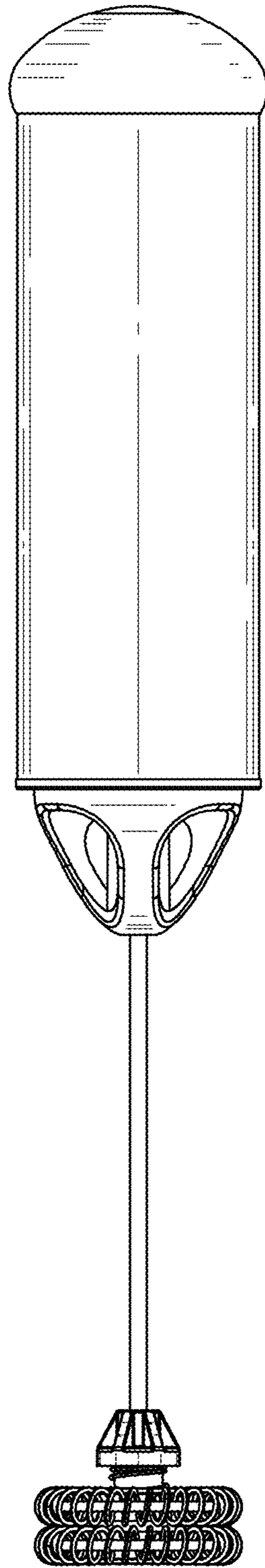


FIG. 10

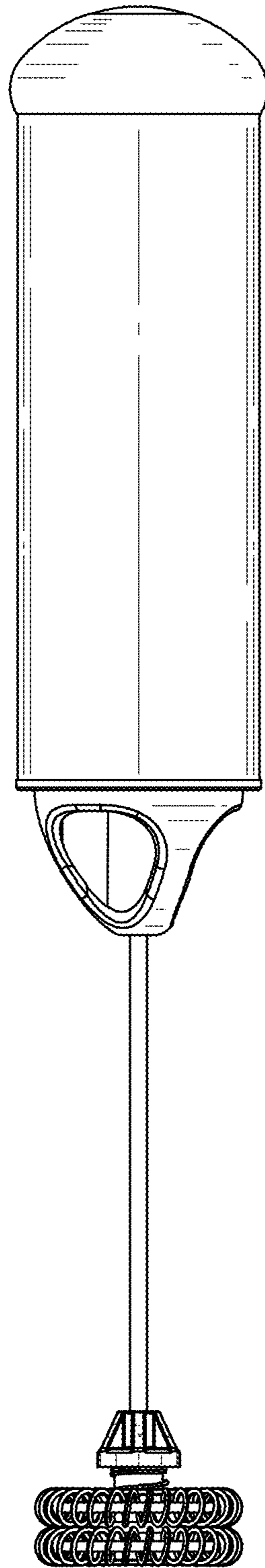


FIG. 11

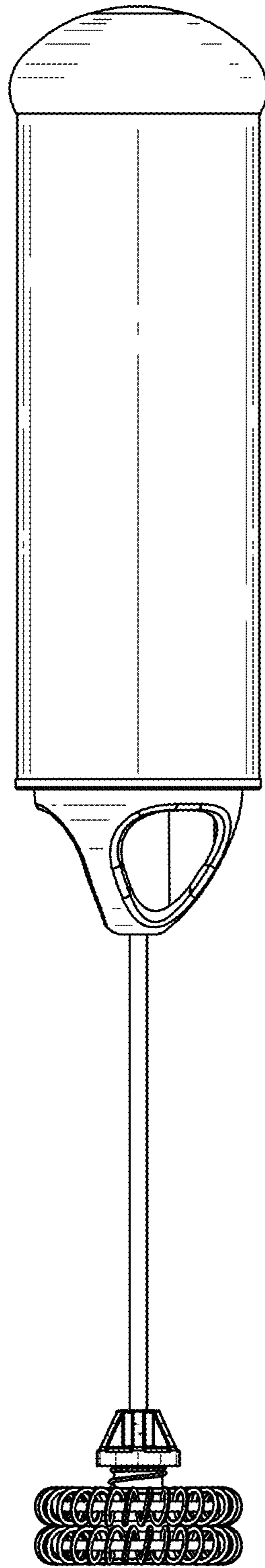


FIG. 12

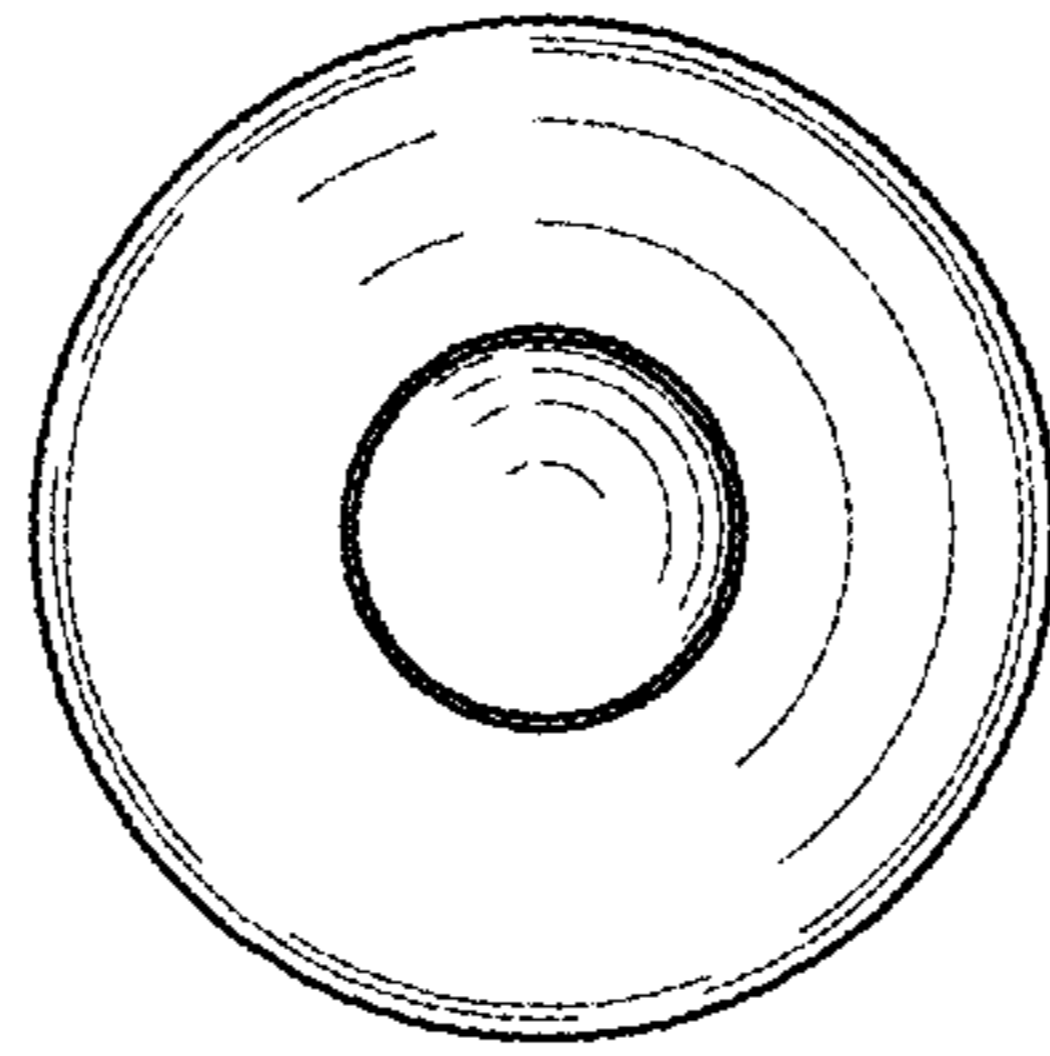


FIG. 13

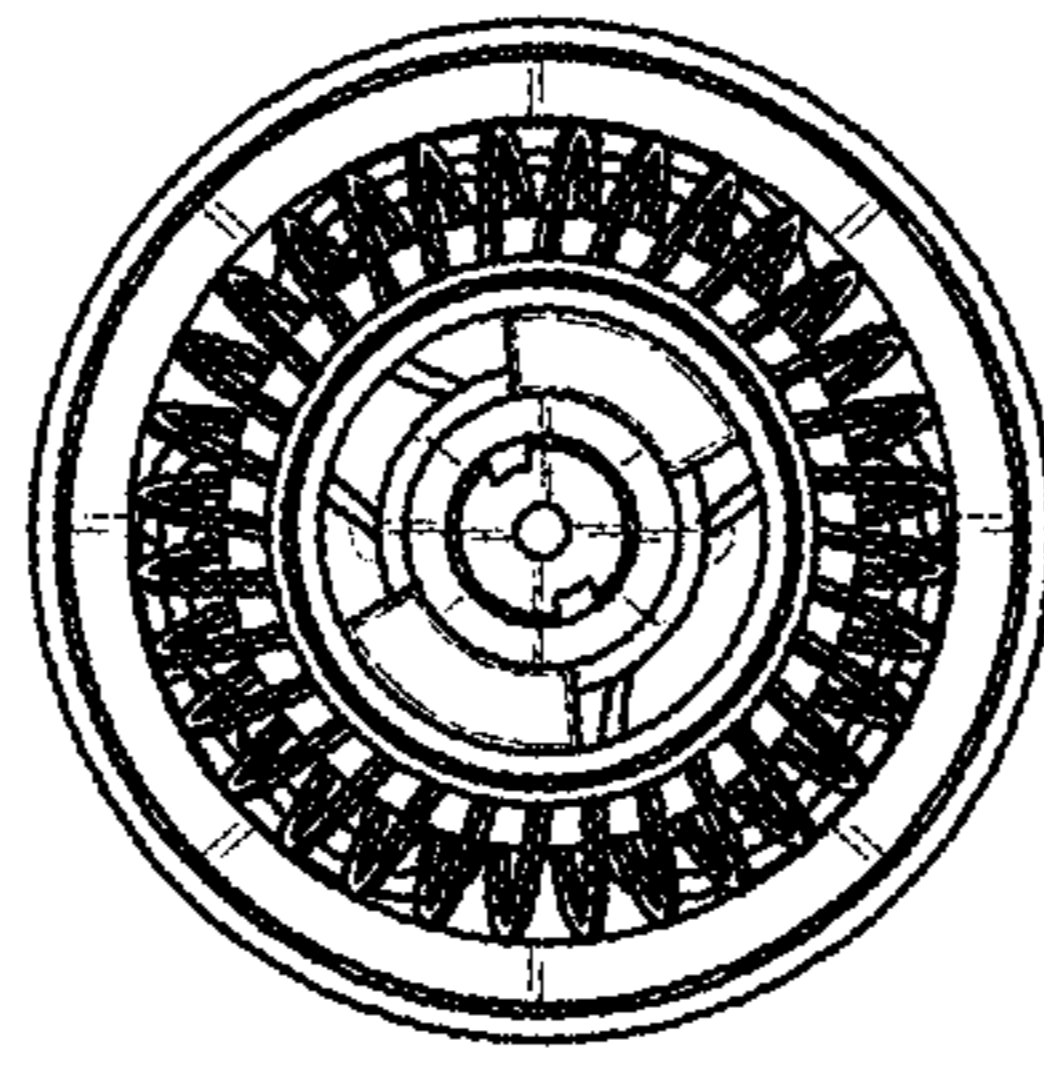


FIG. 14



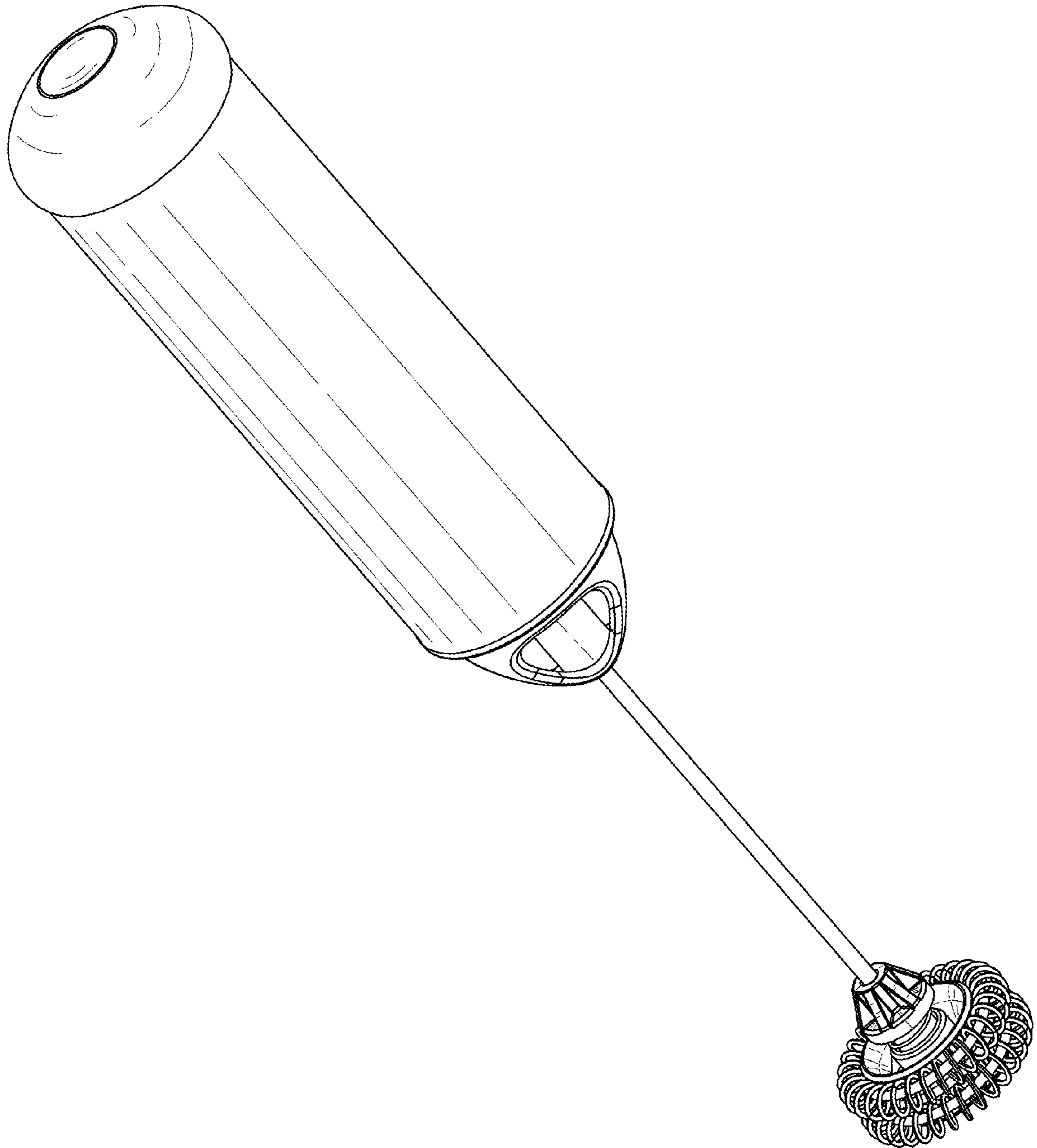


FIG. 15

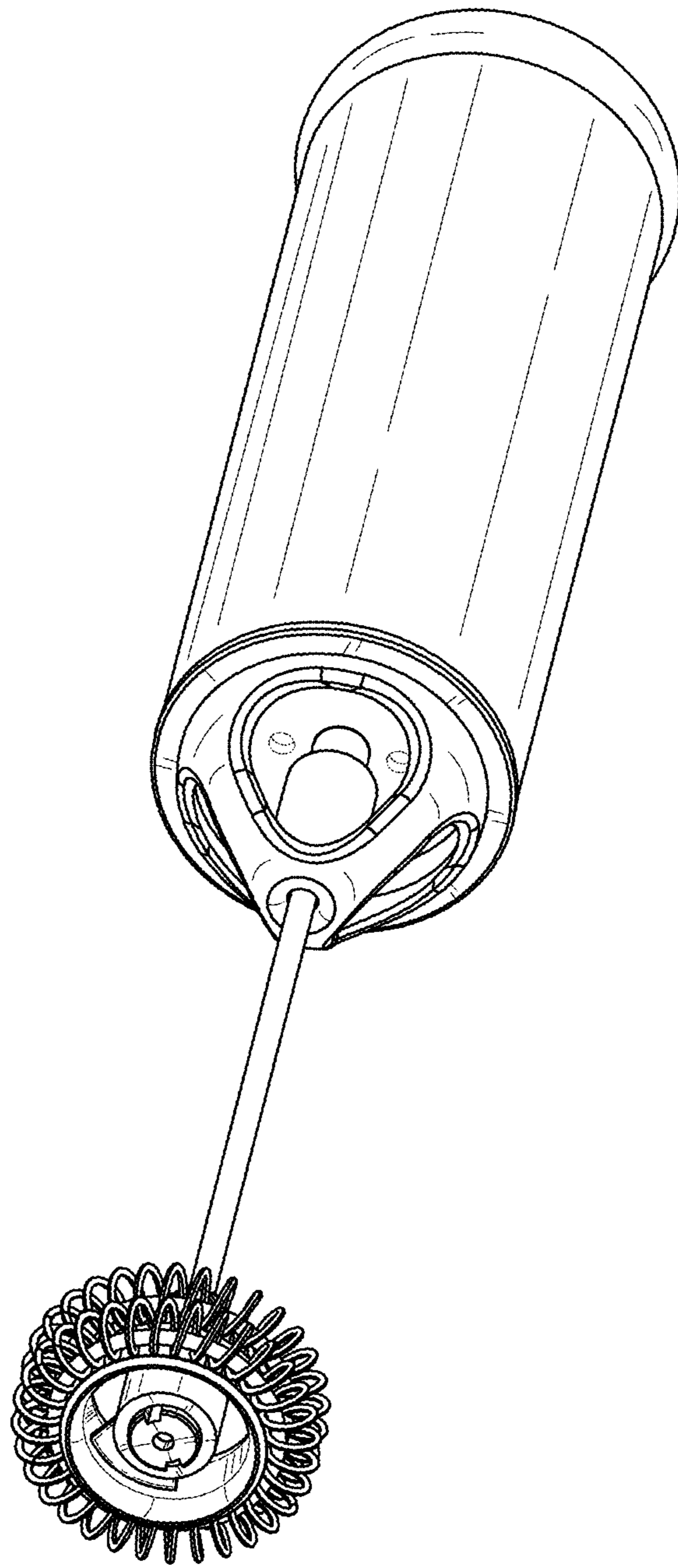


FIG. 16