



US00D915817S

(12) **United States Design Patent**  
**Gamble**

(10) **Patent No.:** **US D915,817 S**  
(45) **Date of Patent:** **\*\* \*Apr. 13, 2021**

(54) **FOOD WASTE DISPOSER TRIM SHELL HOUSING**

(71) Applicant: **Emerson Electric Co.**, St. Louis, MO (US)

(72) Inventor: **Kelly T. Gamble**, Waterford, WI (US)

(73) Assignee: **Emerson Electric Co.**, St. Louis, MO (US)

(\*) Notice: This patent is subject to a terminal disclaimer.

(\*\*) Term: **15 Years**

(21) Appl. No.: **29/691,348**

(22) Filed: **May 15, 2019**

(51) **LOC (13) Cl.** ..... **31-00**

(52) **U.S. Cl.**  
USPC ..... **D7/375**

(58) **Field of Classification Search**

USPC ..... D7/306, 309, 372, 374, 375, 376, 377, D7/378, 379, 380, 381, 383, 384, 385, D7/386, 412, 413, 598, 694, 669, 679  
CPC .. A47J 43/04; A47J 43/25; A47J 43/27; A47J 43/042; A47J 43/044; A47J 43/046; A47J 43/075; A47J 43/0722; A47J 43/0727; A47J 42/40; A21C 1/02; A21C 1/04; A23G 9/045; A23N 1/00; A23N 1/02; B01F 3/00; B01F 3/0807; B01F 3/0853; B01F 13/0059; B01F 13/0064; B02C 1/08; B02C

(Continued)

(56) **References Cited**

**U.S. PATENT DOCUMENTS**

3,076,611 A \* 2/1963 Hans ..... E03C 1/2665  
241/46.08

D212,127 S \* 8/1968 Smith ..... D7/375  
(Continued)

**FOREIGN PATENT DOCUMENTS**

CN 301830806 2/2012  
CN 301871616 3/2012

(Continued)

**OTHER PUBLICATIONS**

Evolution 150 Premium Food Waste Disposal, no announcement date [online], retrieved Jul. 2, 2020, retrieved from internet, [https://insinkerator.emerson.com/en-gb/shop/insinkerator/insinkerator--1001/garbage-disposals--1001/insinkerator-evo150-en-gb.\\*](https://insinkerator.emerson.com/en-gb/shop/insinkerator/insinkerator--1001/garbage-disposals--1001/insinkerator-evo150-en-gb.*)

(Continued)

*Primary Examiner* — Dana K Weiland

*Assistant Examiner* — Messina L Smith

(74) *Attorney, Agent, or Firm* — SmithAmundsen LLC

(57) **CLAIM**

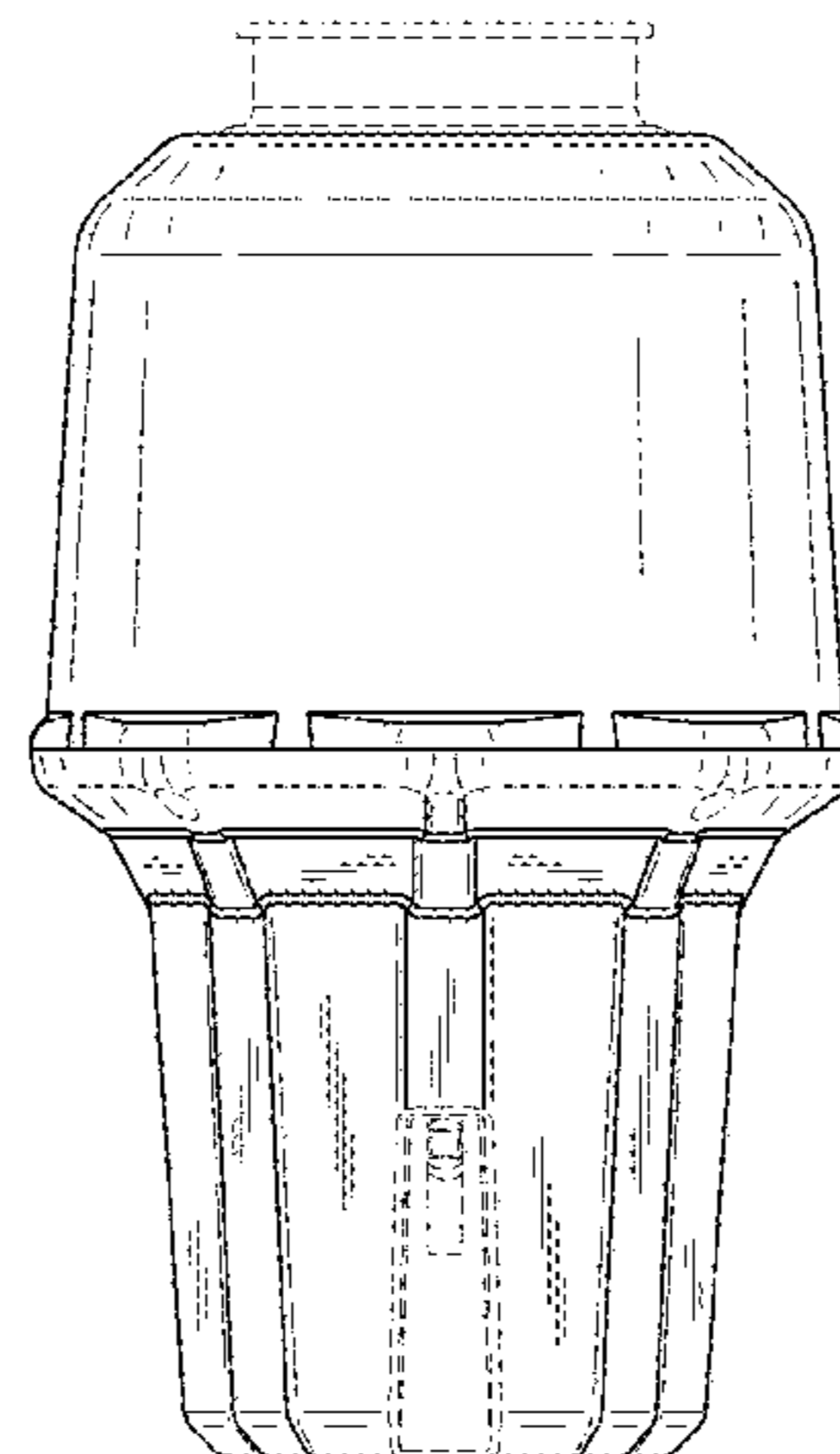
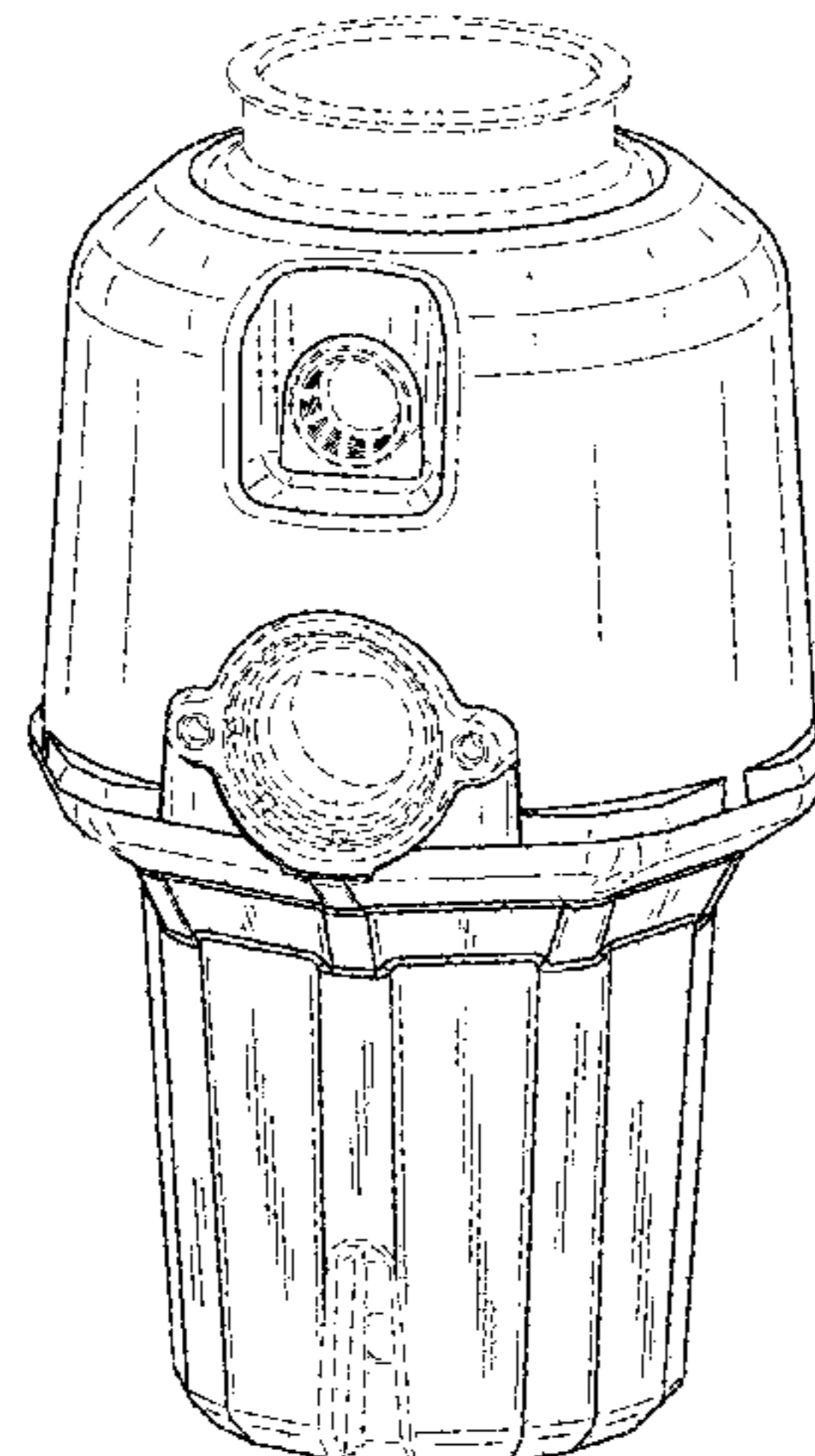
An ornamental design for a food waste disposer trim shell housing, as shown and described.

**DESCRIPTION**

FIG. 1 is a front perspective view of a food waste disposer trim shell housing showing my new design; FIG. 2 is a front elevational view of the food waste disposer trim shell housing of FIG. 1; FIG. 3 is a rear elevational view of the food waste disposer trim shell housing of FIG. 1; FIG. 4 is a left elevational view of the food waste disposer trim shell housing of FIG. 1; FIG. 5 is a right elevational view of the food waste disposer trim shell housing of FIG. 1; FIG. 6 is a top plan view of the food waste disposer trim shell housing of FIG. 1; and, FIG. 7 is a bottom plan view of the food waste disposer trim shell housing of FIG. 1.

The dash-dot broken line shown in FIG. 7 depicts the boundary of the claim and forms no part of the claimed

(Continued)



design. All other broken lines depict portions of the food waste disposer trim shell housing that form no part of the claimed design.

**1 Claim, 4 Drawing Sheets**

(58) **Field of Classification Search**

CPC . 2/04; B02C 4/42; B02C 4/142; B02C 4/143; B02C 4/423; B02C 13/1835; B28C 5/10; B28C 5/12; B28C 5/14; B28C 5/16

See application file for complete search history.

(56) **References Cited**

U.S. PATENT DOCUMENTS

D226,028	S *	1/1973	Kennedy	.....	D7/375
3,814,333	A *	6/1974	Sapienza	.....	E03C 1/2665
				.....	241/46.014
D430,987	S *	9/2000	Brandel	.....	D7/375
D431,153	S *	9/2000	Brandel	.....	D7/375
D431,752	S *	10/2000	Brandel	.....	241/46.013
D451,755	S *	12/2001	Brandel	.....	D7/372
D452,110	S *	12/2001	Brandel	.....	D7/372
D455,603	S *	4/2002	Brandel	.....	D7/372
D455,604	S *	4/2002	Brandel	.....	D7/375
D530,140	S *	10/2006	Macler	.....	D7/313
D534,760	S *	1/2007	Patterson	.....	D7/375
D534,761	S *	1/2007	Patterson	.....	D7/375
D535,142	S *	1/2007	Patterson	.....	D7/375
D535,518	S *	1/2007	Patterson	.....	D7/375
D535,850	S *	1/2007	Patterson	.....	D7/375
D684,003	S *	6/2013	Bennage	.....	D7/375
D684,004	S *	6/2013	Koparde	.....	D7/375
D684,005	S *	6/2013	Mahale	.....	D7/375
D706,572	S *	6/2014	Gamble	.....	D7/375
D739,678	S *	9/2015	Benoit	.....	D7/376
D746,100	S *	12/2015	Falcone	.....	D7/375
D753,432	S *	4/2016	Gamble	.....	D7/375
D753,433	S	4/2016	Gamble et al.	.....	
D759,423	S *	6/2016	Gamble	.....	D7/375
D780,505	S *	3/2017	Gamble	.....	D7/375
9,968,940	B2 *	5/2018	Hartmann	.....	H02J 5/005
D822,426	S	7/2018	Gamble et al.	.....	
D826,639	S *	8/2018	Boozer	.....	D7/413
D876,739	S *	2/2020	Wall	.....	D32/31

2006/0278742	A1 *	12/2006	Hanson	.....	E03C 1/2665
				.....	241/46.013
2013/0299616	A1 *	11/2013	Bewley, Jr.	.....	E03C 1/266
				.....	241/46.016
2014/0070036	A1 *	3/2014	Hammer	.....	E03C 1/2665
				.....	241/32.5
2014/0247686	A1 *	9/2014	Arnett	.....	A47J 43/0761
				.....	366/205
2018/0345292	A1 *	12/2018	Liang	.....	B02C 18/0092
2019/0193087	A1 *	6/2019	Kong	.....	E03C 1/2665
2019/0338503	A1 *	11/2019	Pruitt	.....	B02C 18/0092

FOREIGN PATENT DOCUMENTS

CN	302216979	12/2012
CN	304779223	8/2018
CN	304847108	10/2018
CN	304938764	12/2018
CN	305056924	3/2019
CN	305/15312	4/2019
CN	305091649	4/2019
CN	305102881	4/2019
CN	3050916488	4/2019
WO	WO-2004110631	A1 * 12/2004
		.....
		E03C 1/2665

OTHER PUBLICATIONS

Top 15 Best Garbage Disposals Review 2020, announced Jun. 30, 2020 [online], retrieved Jul. 2, 2020, retrieved from internet, <https://dadongny.com/best-garbage-disposal/>.\*

Becbas, "Becbas element 7 Garbage Disposal, 1HP 2700RPM Household Food Waste Disposer, With Power Cord," internet site Amazon (date first available May 18, 2017) 10 pages, <https://www.amazon.com/dp/B0716ZJ6BV?tag=best+10choic05-20>.

Becbas, "Becbas Fusion Line," internet site (2019-2020) 4 pages, <https://protect-us.mimecast.com/s/RPNWCyP2v3hNqw3pSQ7xYa?domain=google.com>.

Insinkerator, "InSinkEerator Evolution Compact 3/4 HP Household Garbage Disposal" internet site Amazon (date first available Oct. 31, 2018) 8 pages, <https://www.amazon.com/InSinkEerator-Evolution-Compact-Household-Disposal/dp/B07K1STJVP>.

Waste King, "Waste King Legend Series 1 HP Continuous Feed Garbage Disposal with Power Cord (L-8000)," internet site Amazon (date first available Sep. 14, 2004) 12 pages, [https://www.amazon.com/Waste-King-L-8000-Garbage-Disposal/dp/B000DZGN7Q/ref=psdc\\_3226848011\\_t4\\_B072F5KNCP](https://www.amazon.com/Waste-King-L-8000-Garbage-Disposal/dp/B000DZGN7Q/ref=psdc_3226848011_t4_B072F5KNCP).

\* cited by examiner

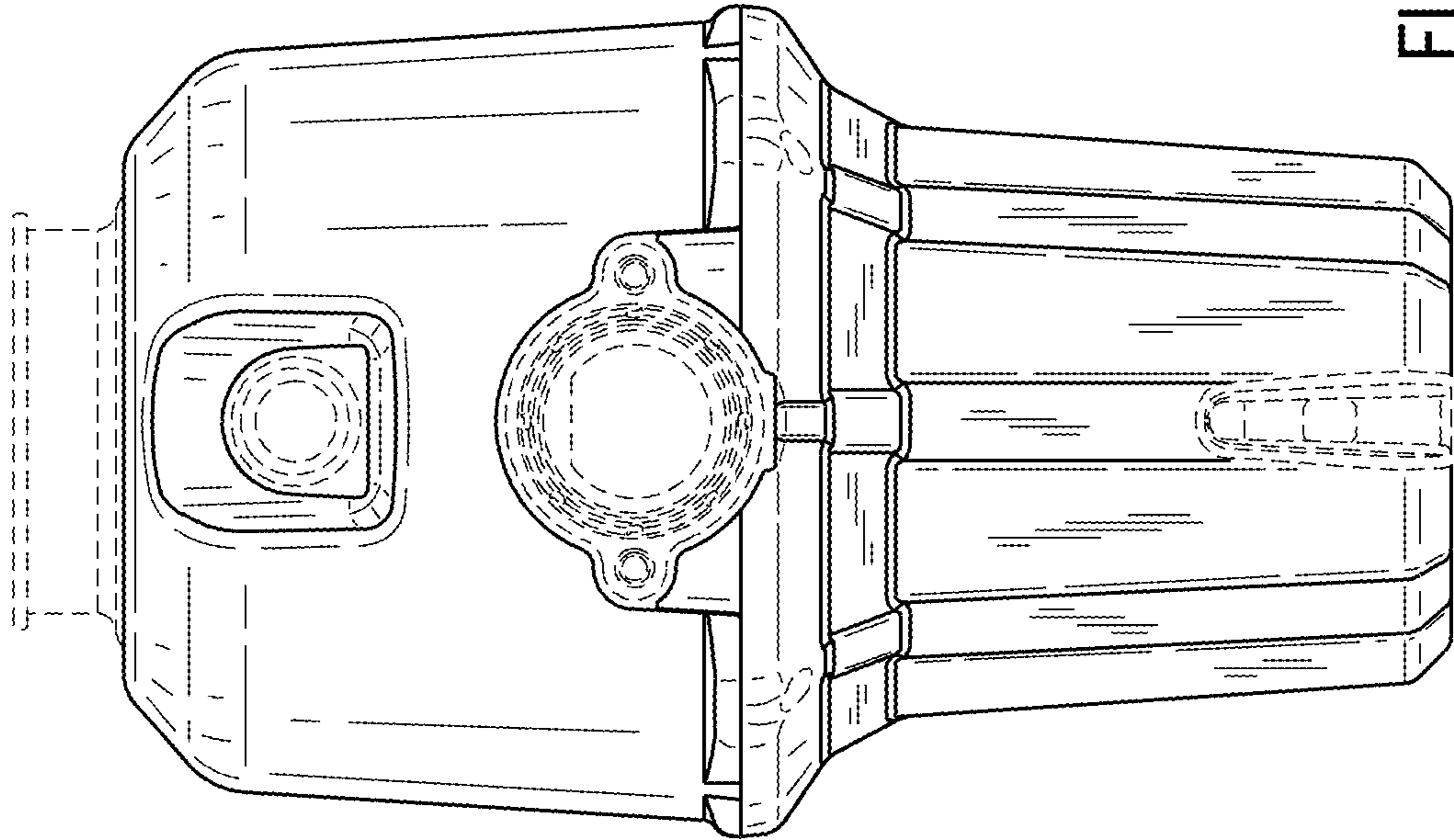


FIG. 1

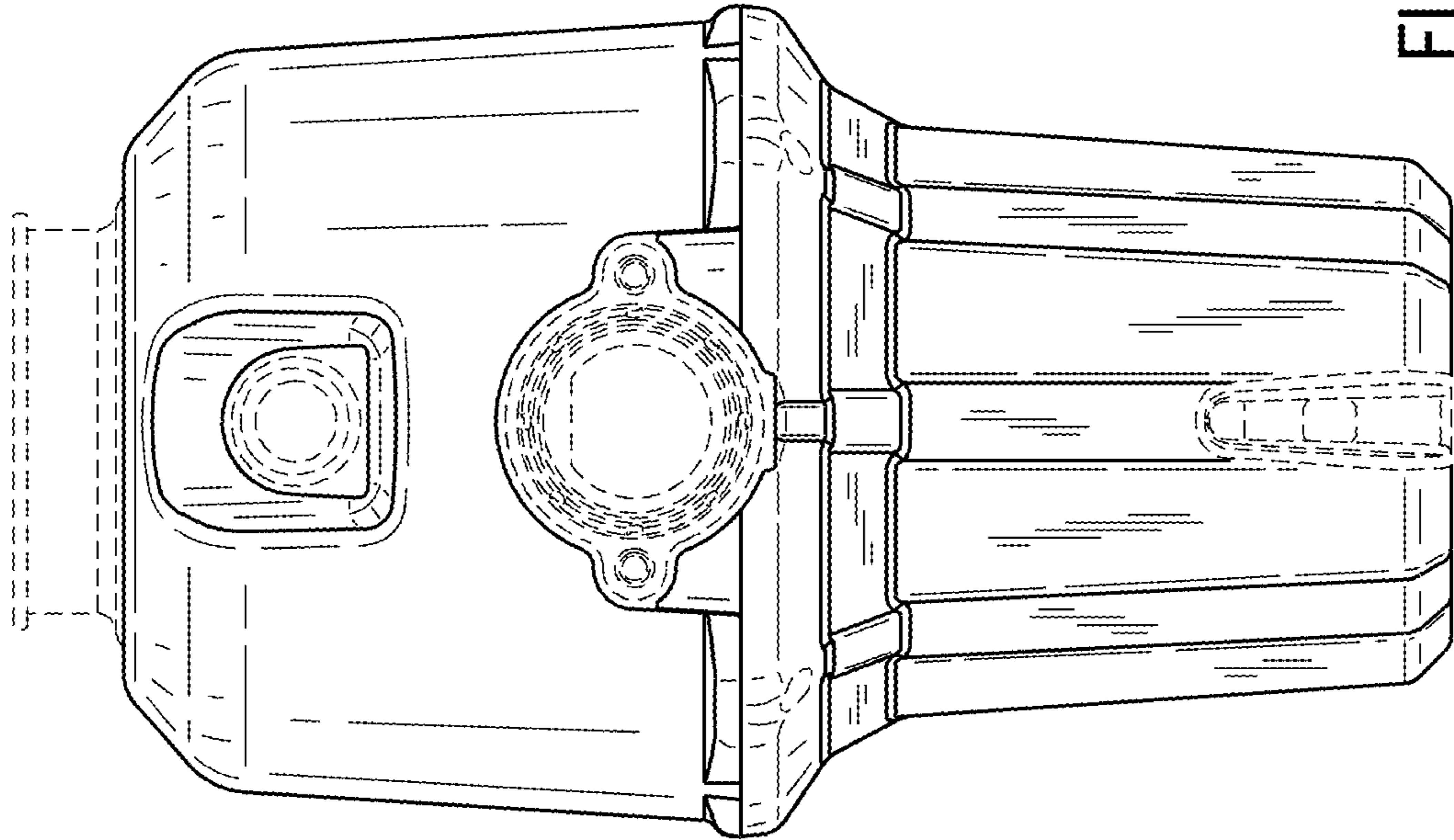


FIG. 2

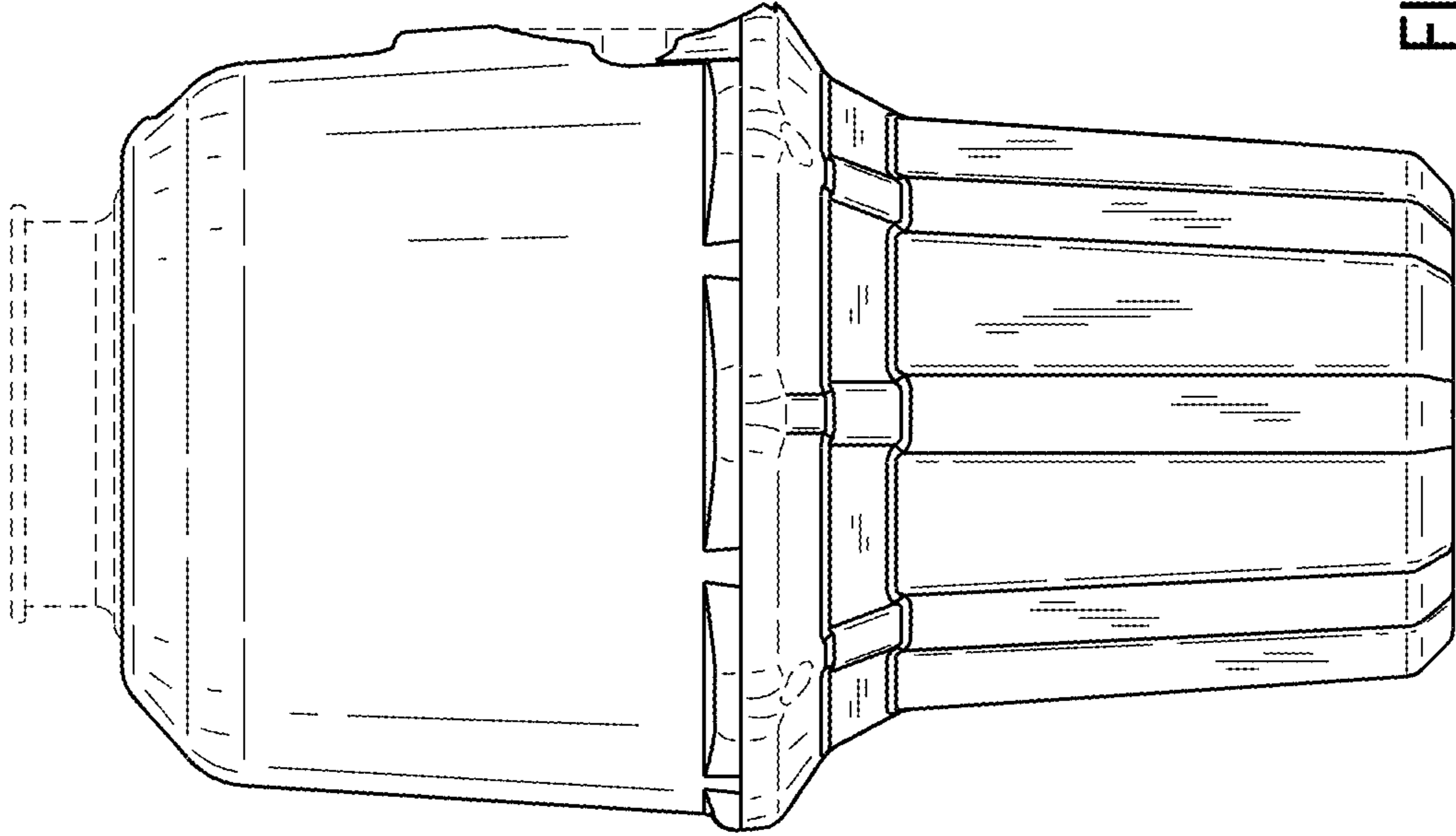


FIG. 4

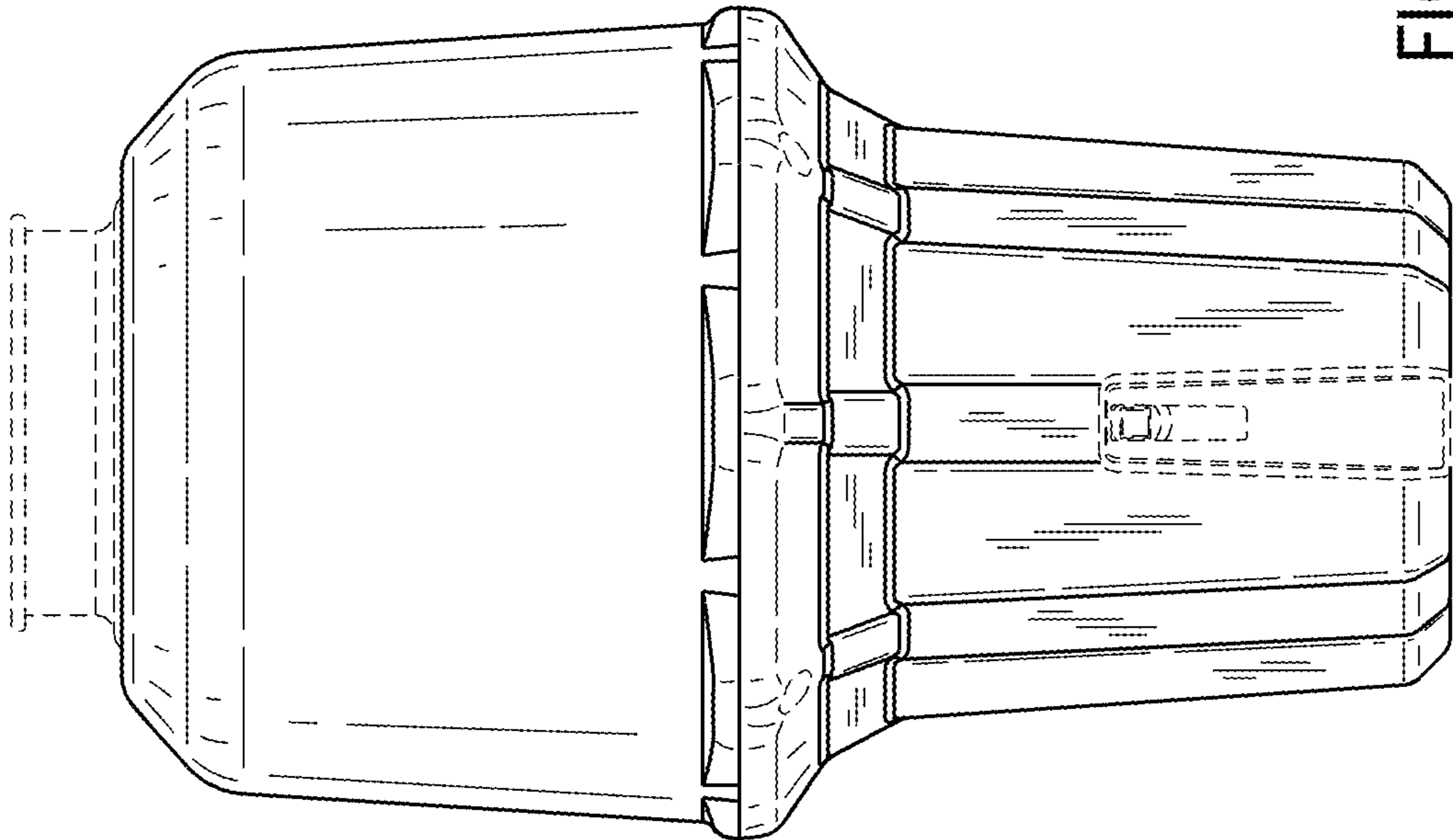


FIG. 3

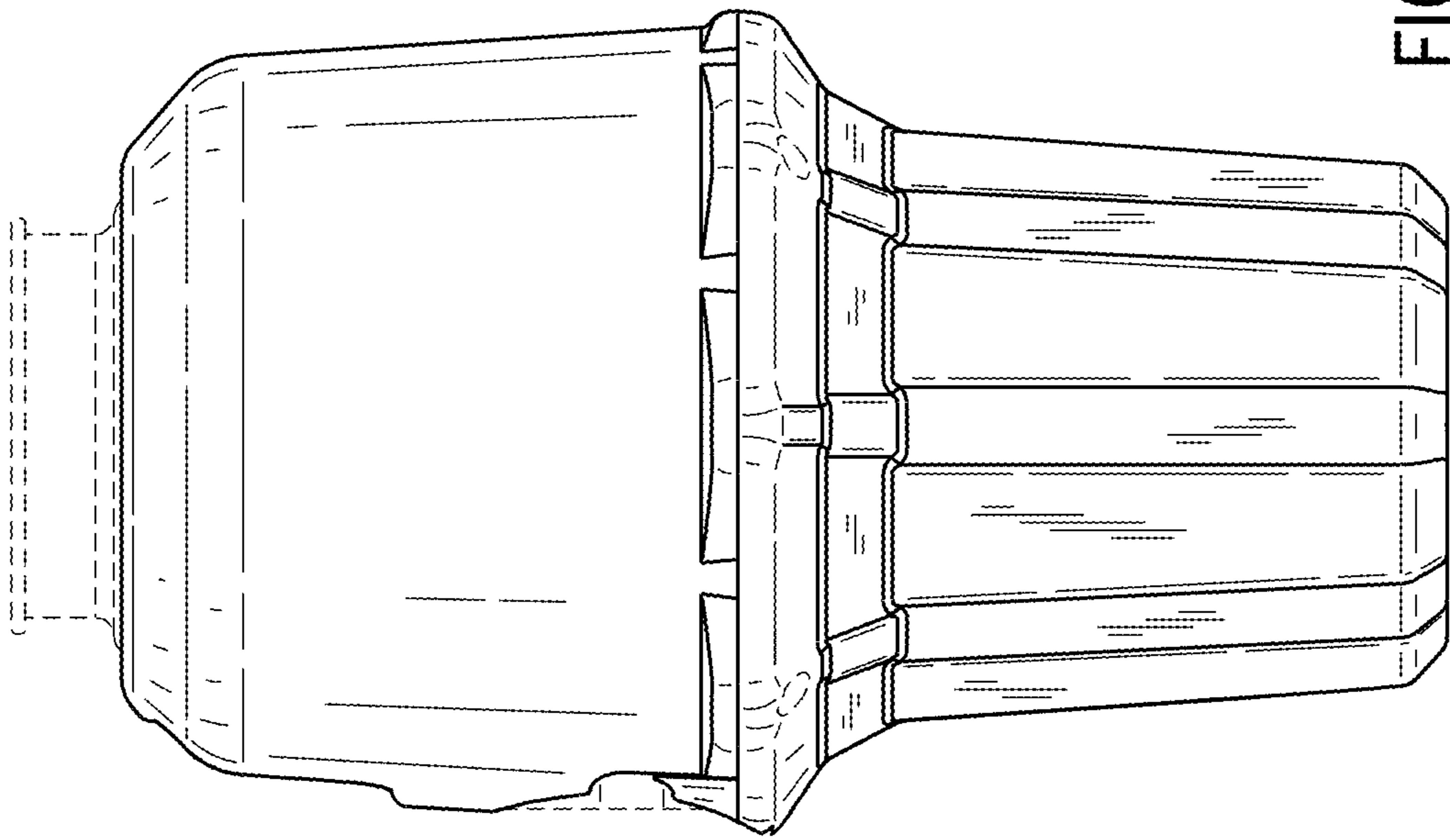


FIG. 5

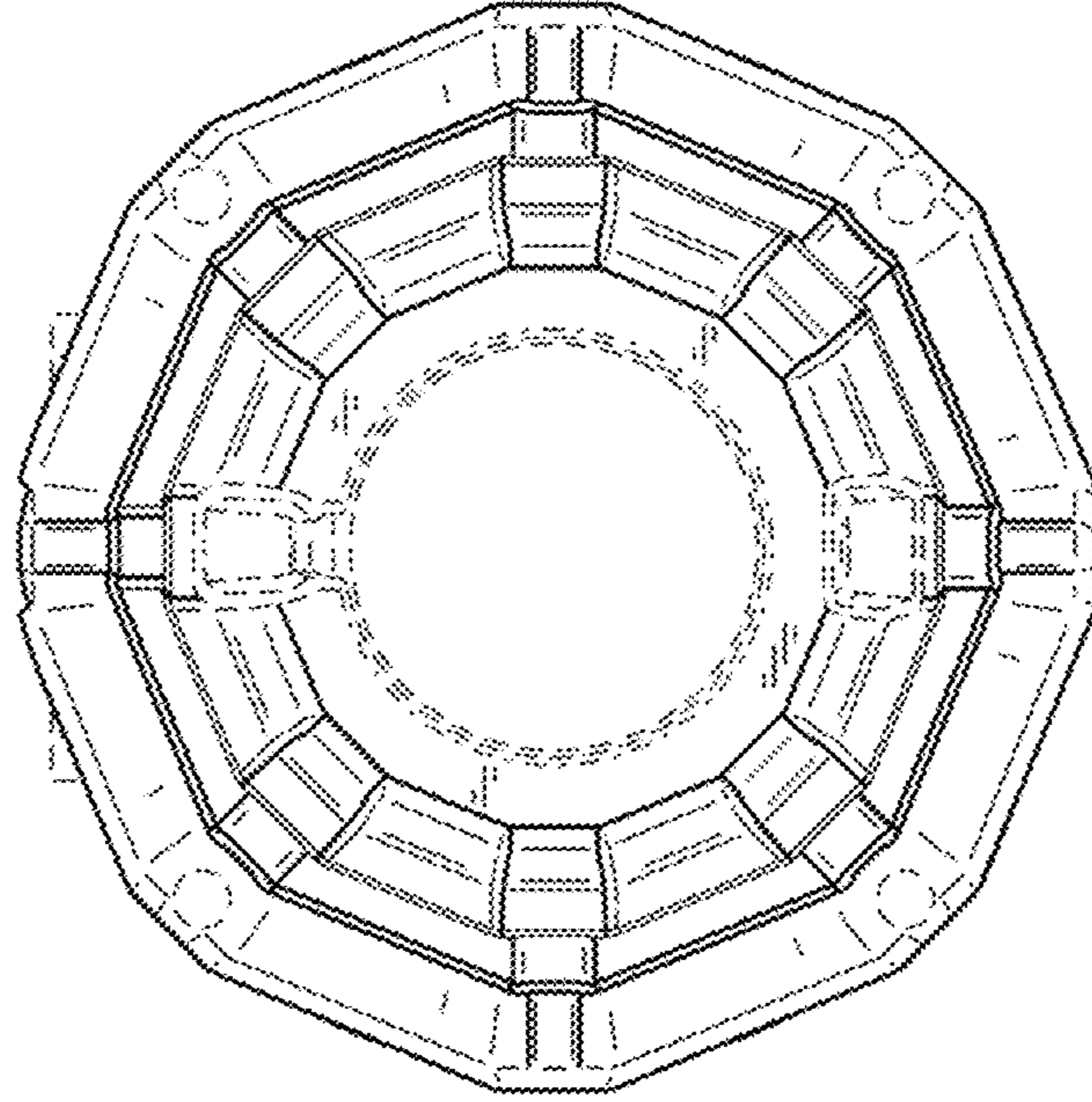


FIG. 7

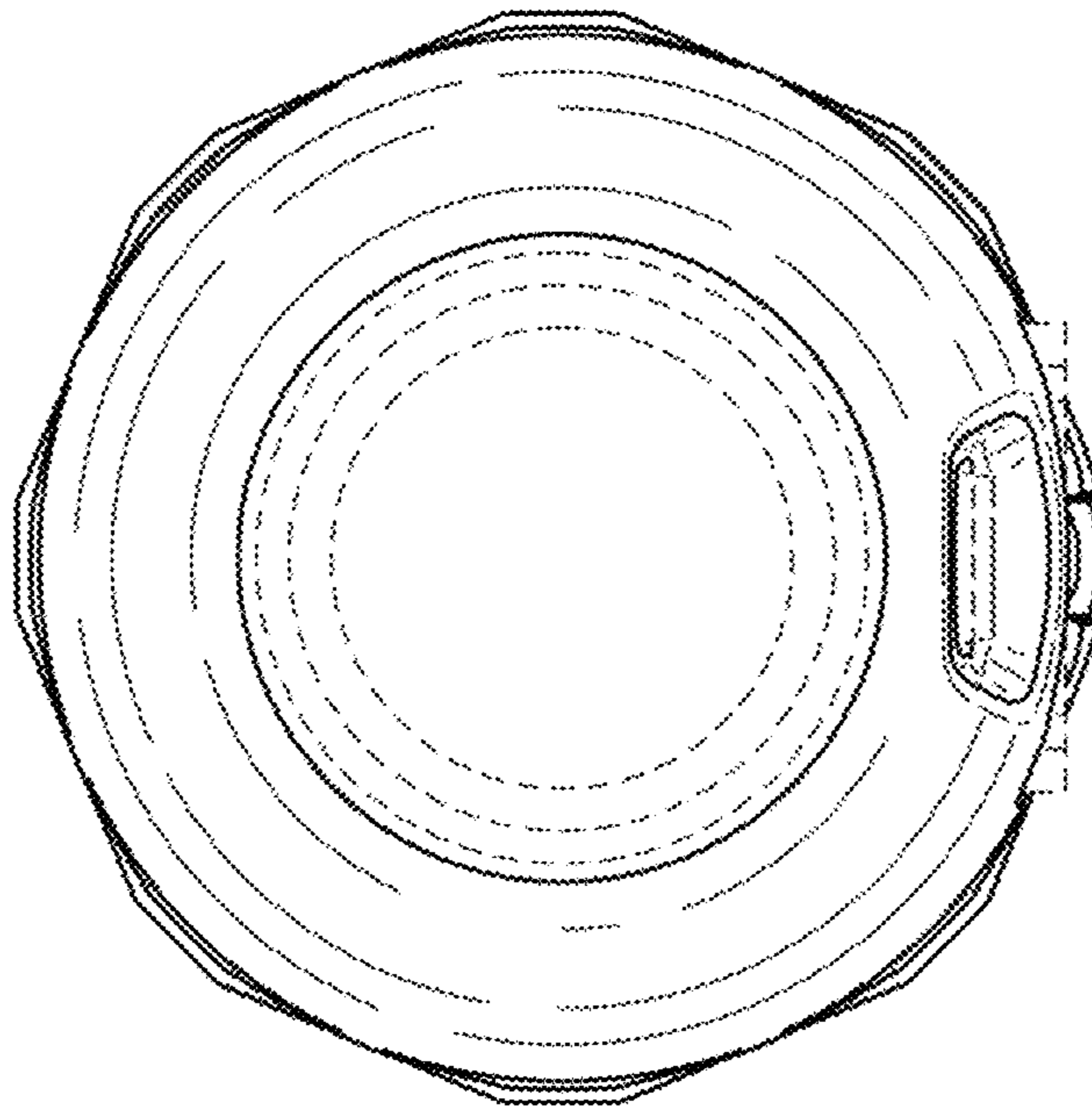


FIG. 6