



US00D915816S

(12) **United States Design Patent**
Gamble

(10) **Patent No.: US D915,816 S**
(45) **Date of Patent: ** *Apr. 13, 2021**

(54) **FOOD WASTE DISPOSER TRIM SHELL HOUSING**

(71) Applicant: **Emerson Electric Co.**, St. Louis, MO (US)

(72) Inventor: **Kelly T. Gamble**, Waterford, WI (US)

(73) Assignee: **Emerson Electric Co.**, St. Louis, MO (US)

(*) Notice: This patent is subject to a terminal disclaimer.

(**) Term: **15 Years**

(21) Appl. No.: **29/691,338**

(22) Filed: **May 15, 2019**

(51) **LOC (13) Cl.** **31-00**

(52) **U.S. Cl.**
USPC **D7/375**

(58) **Field of Classification Search**

USPC D7/306, 309, 372, 374, 375, 376, 377, D7/378, 379, 380, 381, 383, 384, 385, D7/386, 412, 413, 598, 694, 669, 679
CPC .. A47J 43/04; A47J 43/25; A47J 43/27; A47J 43/042; A47J 43/044; A47J 43/046; A47J 43/075; A47J 43/0722; A47J 43/0727; A47J 42/40; A21C 1/02; A21C 1/04; A23G 9/045; A23N 1/00; A23N 1/02; B01F 3/00; B01F 3/0807; B01F 3/0853; B01F 13/0059; B01F 13/0064; B02C 1/08; B02C

(Continued)

(56) **References Cited**

U.S. PATENT DOCUMENTS

3,076,611 A * 2/1963 Jordan E03C 1/2665
241/46.08

D212,127 S * 8/1968 Smith D7/375
(Continued)

FOREIGN PATENT DOCUMENTS

CN 301830806 2/2012
CN 301871616 3/2012

(Continued)

OTHER PUBLICATIONS

Evolution 150 Premium Food Waste Disposal, no announcement date [online], retrieved Jul. 2, 2020, retrieved from internet, https://insinkerator.emerson.com/en-gb/shop/insinkerator/insinkerator--1001/garbage-disposals--1001/insinkerator-evo150-en-gb.*

(Continued)

Primary Examiner — Dana K Weiland
Assistant Examiner — Messina L Smith

(74) *Attorney, Agent, or Firm* — SmithAmundsen LLC

(57) **CLAIM**

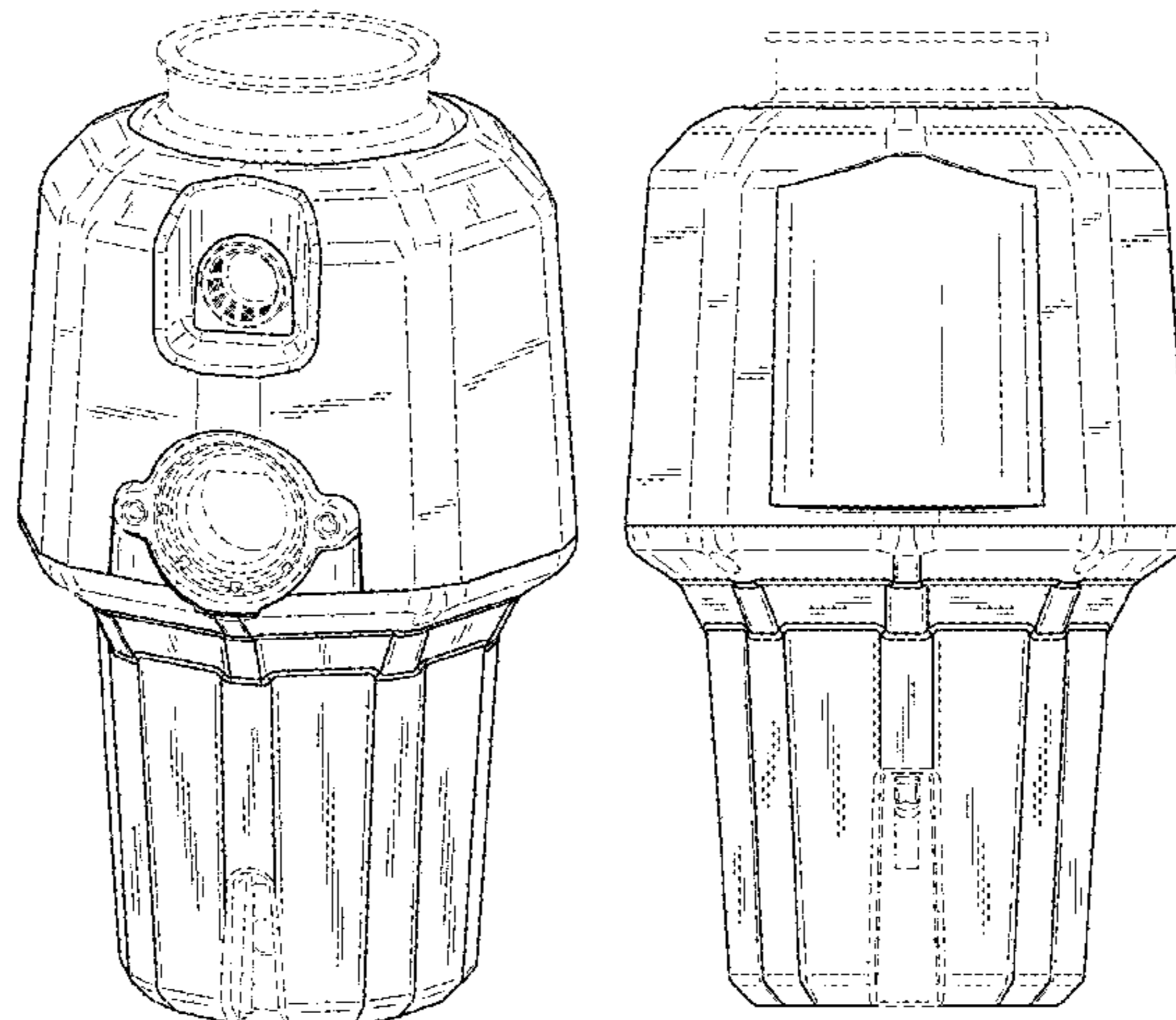
An ornamental design for a food waste disposer trim shell housing, as shown and described.

DESCRIPTION

FIG. 1 is a front perspective view of a food waste disposer trim shell housing showing my new design; FIG. 2 is a front elevational view of the food waste disposer trim shell housing of FIG. 1; FIG. 3 is a rear elevational view of the food waste disposer trim shell housing of FIG. 1; FIG. 4 is a left elevational view of the food waste disposer trim shell housing of FIG. 1; FIG. 5 is a right elevational view of the food waste disposer trim shell housing of FIG. 1; FIG. 6 is a top plan view of the food waste disposer trim shell housing of FIG. 1; and, FIG. 7 is a bottom plan view of the food waste disposer trim shell housing of FIG. 1.

The dash-dot broken line shown in FIG. 7 depicts the boundary of the claim and forms no part of the claimed

(Continued)



design. All other broken lines depict portions of the food waste disposer trim shell housing that form no part of the claimed design.

1 Claim, 4 Drawing Sheets

(58) **Field of Classification Search**

CPC . 2/04; B02C 4/42; B02C 4/142; B02C 4/143; B02C 4/423; B02C 13/1835; B28C 5/10; B28C 5/12; B28C 5/14; B28C 5/16
See application file for complete search history.

(56) **References Cited**

U.S. PATENT DOCUMENTS

D226,028 S * 1/1973 Kennedy D7/375
3,814,333 A * 6/1974 Sapienza E03C 1/2665
241/46.014
D430,987 S * 9/2000 Brandel D7/375
D431,153 S * 9/2000 Brandel D7/375
D431,752 S * 10/2000 Brandel 241/46.013
D451,755 S * 12/2001 Brandel D7/372
D452,110 S * 12/2001 Brandel D7/372
D455,603 S * 4/2002 Brandel D7/372
D455,604 S * 4/2002 Brandel D7/375
D530,140 S * 10/2006 Macler D7/313
D534,760 S * 1/2007 Patterson D7/375
D534,761 S * 1/2007 Patterson D7/375
D535,142 S * 1/2007 Patterson D7/375
D535,518 S * 1/2007 Patterson D7/375
D535,850 S * 1/2007 Patterson D7/375
D684,003 S * 6/2013 Bennage D7/375
D684,004 S * 6/2013 Koparde D7/375
D684,005 S * 6/2013 Mahale D7/375
D706,572 S * 6/2014 Gamble D7/375
D739,678 S * 9/2015 Benoit D7/376
D746,100 S * 12/2015 Falcone D7/375
D753,432 S * 4/2016 Gamble D7/375
D753,433 S 4/2016 Gamble et al.
D759,423 S * 6/2016 Gamble D7/375
D780,505 S * 3/2017 Gamble D7/375
9,968,940 B2 * 5/2018 Hartmann H02J 5/005
D822,426 S 7/2018 Gamble et al.
D826,639 S * 8/2018 Boozer D7/413
D876,739 S * 2/2020 Wall D32/31

2006/0278742 A1 * 12/2006 Hanson E03C 1/2665
241/46.013
2013/0299616 A1 * 11/2013 Bewley, Jr. E03C 1/266
241/46.016
2014/0070036 A1 * 3/2014 Hammer E03C 1/2665
241/32.5
2014/0247686 A1 * 9/2014 Arnett 366/205
2018/0345292 A1 * 12/2018 Liang B02C 18/0092
2019/0193087 A1 * 6/2019 Kong E03C 1/2665
2019/0338503 A1 * 11/2019 Pruitt B02C 18/0092

FOREIGN PATENT DOCUMENTS

CN 302216979 12/2012
CN 304779223 8/2018
CN 304847108 10/2018
CN 304938764 12/2018
CN 305056924 3/2019
CN 305091648 4/2019
CN 305091649 4/2019
CN 305102881 4/2019
CN 305115312 4/2019
WO WO-2004110631 A1 * 12/2004 E02C 1/2665

OTHER PUBLICATIONS

Top 15 Best Garbage Disposals Review 2020, announced Jun. 30, 2020 [online], retrieved Jul. 2, 2020, retrieved from internet, <https://dadongny.com/best-garbage-disposal/>.
Becbas, "Becbas element 7 Garbage Disposal, 1HP 2700RPM Household Food Waste Disposer, With Power Cord," internet site Amazon (date first available May 18, 2017) 10 pages, <https://www.amazon.com/dp/B0716ZJ6BV?tag=best10choic05-20>.
Becbas, "Becbas Fusion Line," internet site (2019-2020) 4 pages, <https://protect-us.mimecast.com/s/RPNWCyP2v3hNqw3pSQ7xYa?domain=google.com>.
Insinkerator, "InSinkErator Evolution Compact ¾ HP Household Garbage Disposal" internet site Amazon (date first available Oct. 31, 2018) 8 pages, <https://www.amazon.com/InSinkErator-Evolution-Compact-Household-Disposal/dp/B07K1STJVP>.
Waste King, "Waste King Legend Series 1 HP Continuous Feed Garbage Disposal with Power Cord (L-8000)," internet site Amazon (date first available Sep. 14, 2004) 12 pages, https://www.amazon.com/Waste-King-L-8000-Garbage-Disposal/dp/B000DZGN7Q/ref=psdc_3226848011_t4_B072F5KNCP.

* cited by examiner

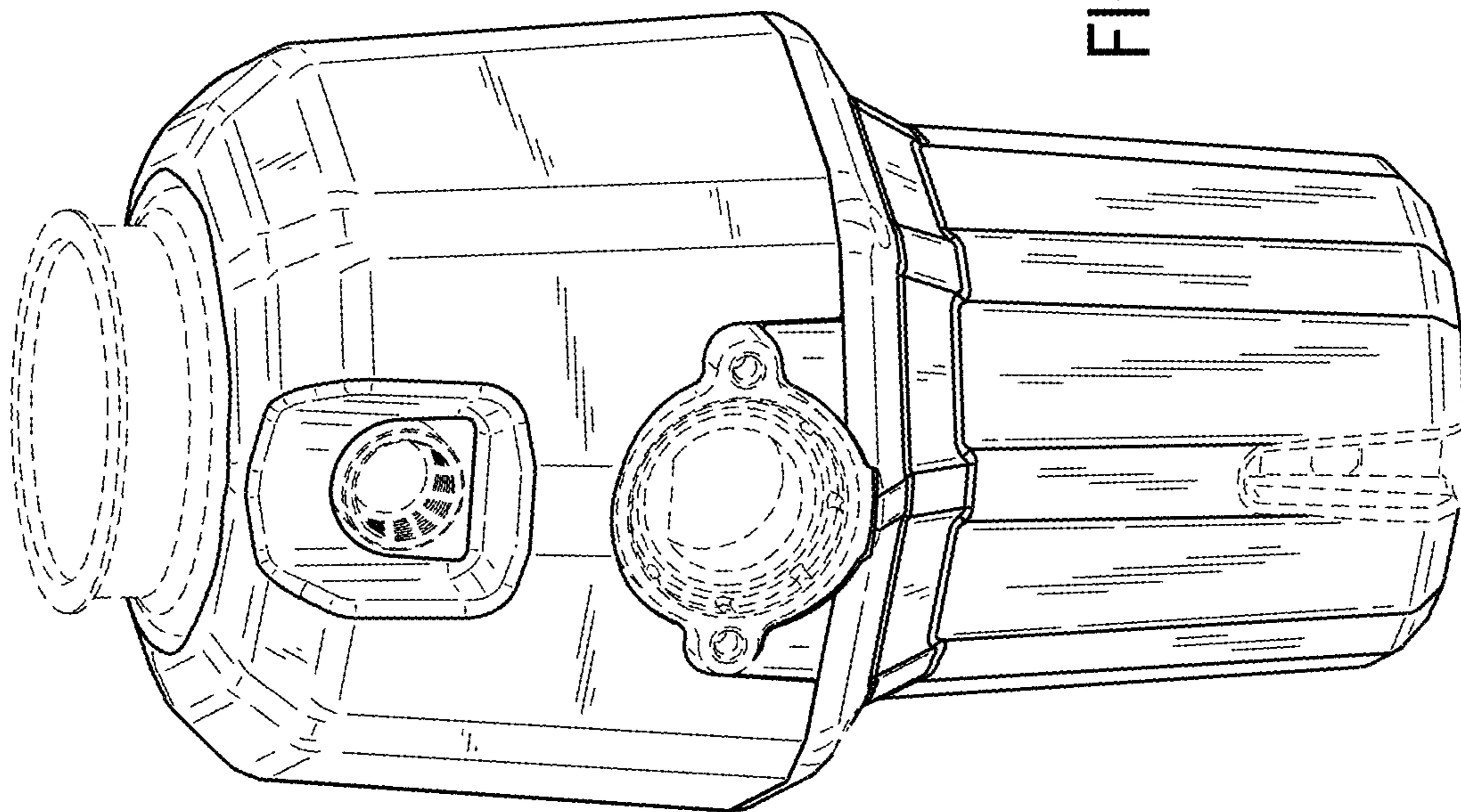


FIG. 1

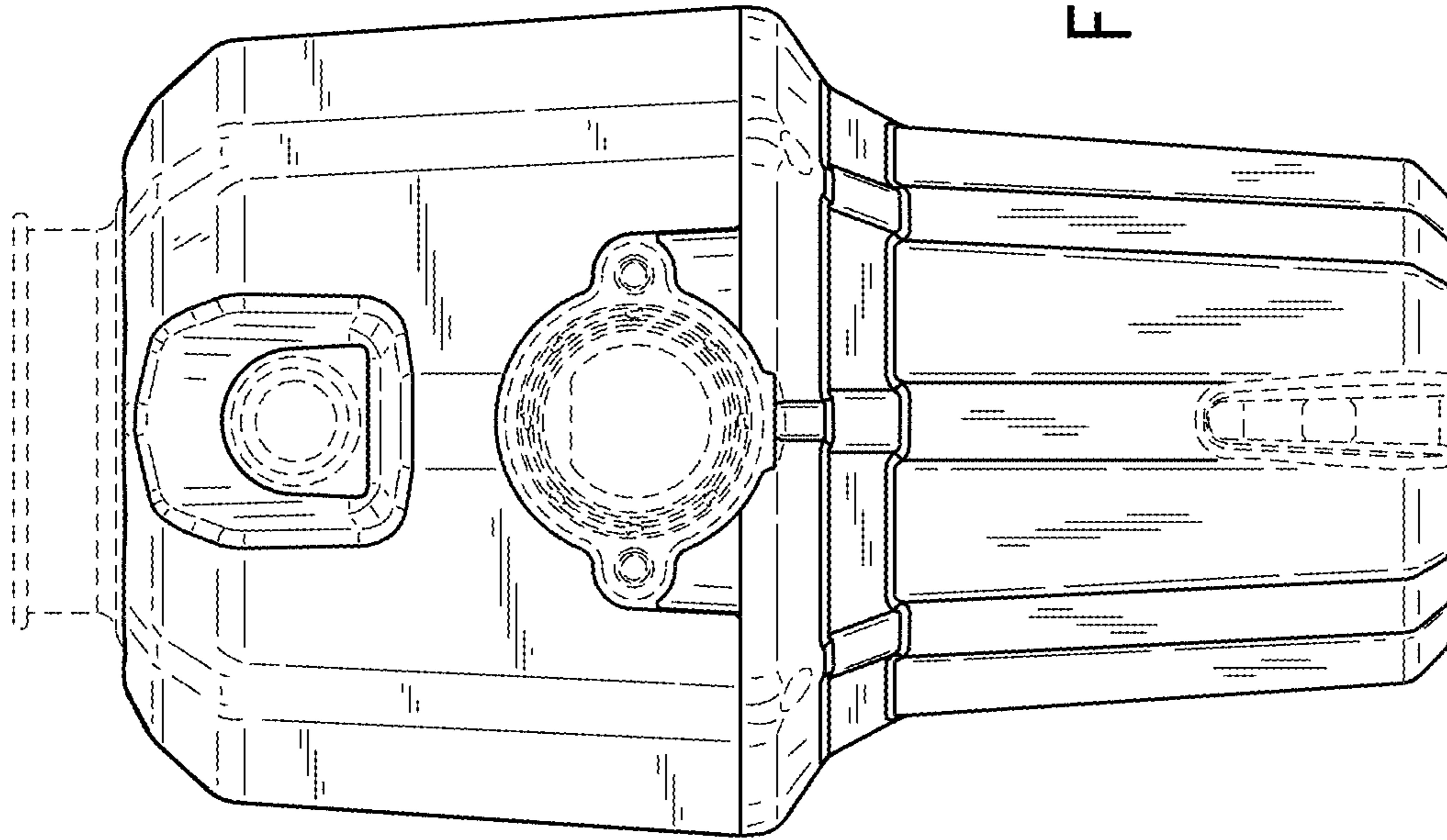


FIG. 2

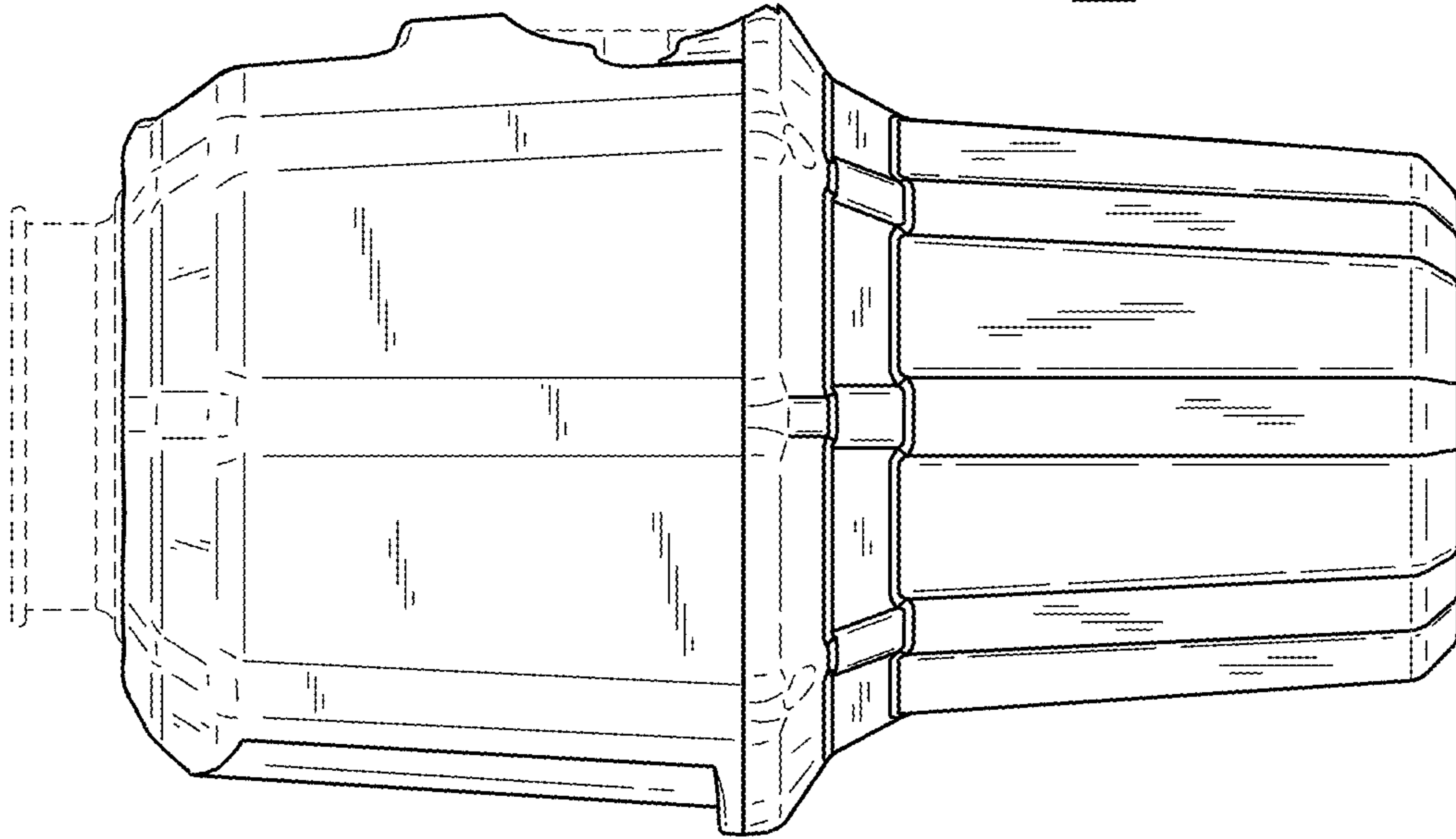


FIG. 4

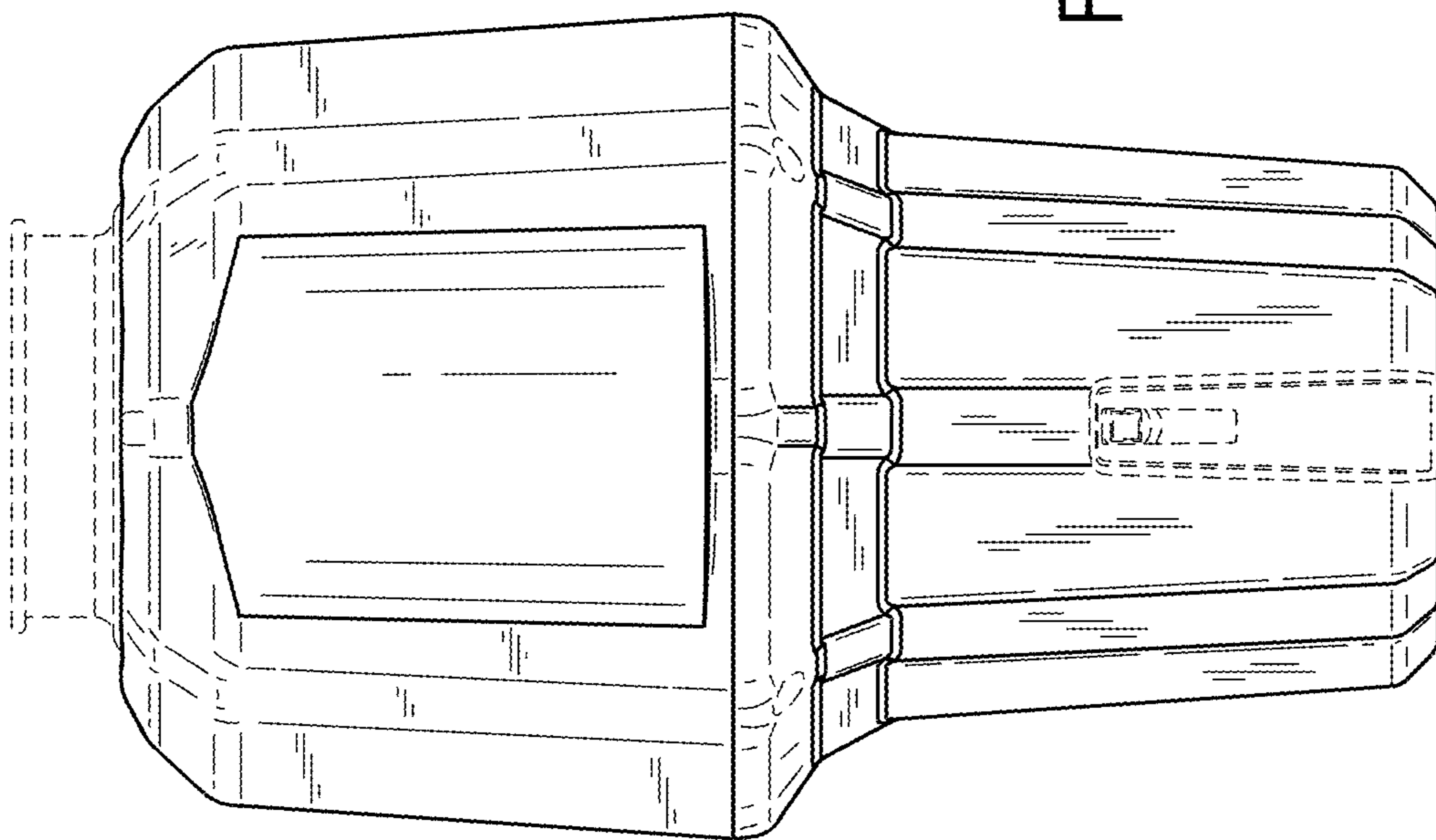


FIG. 3

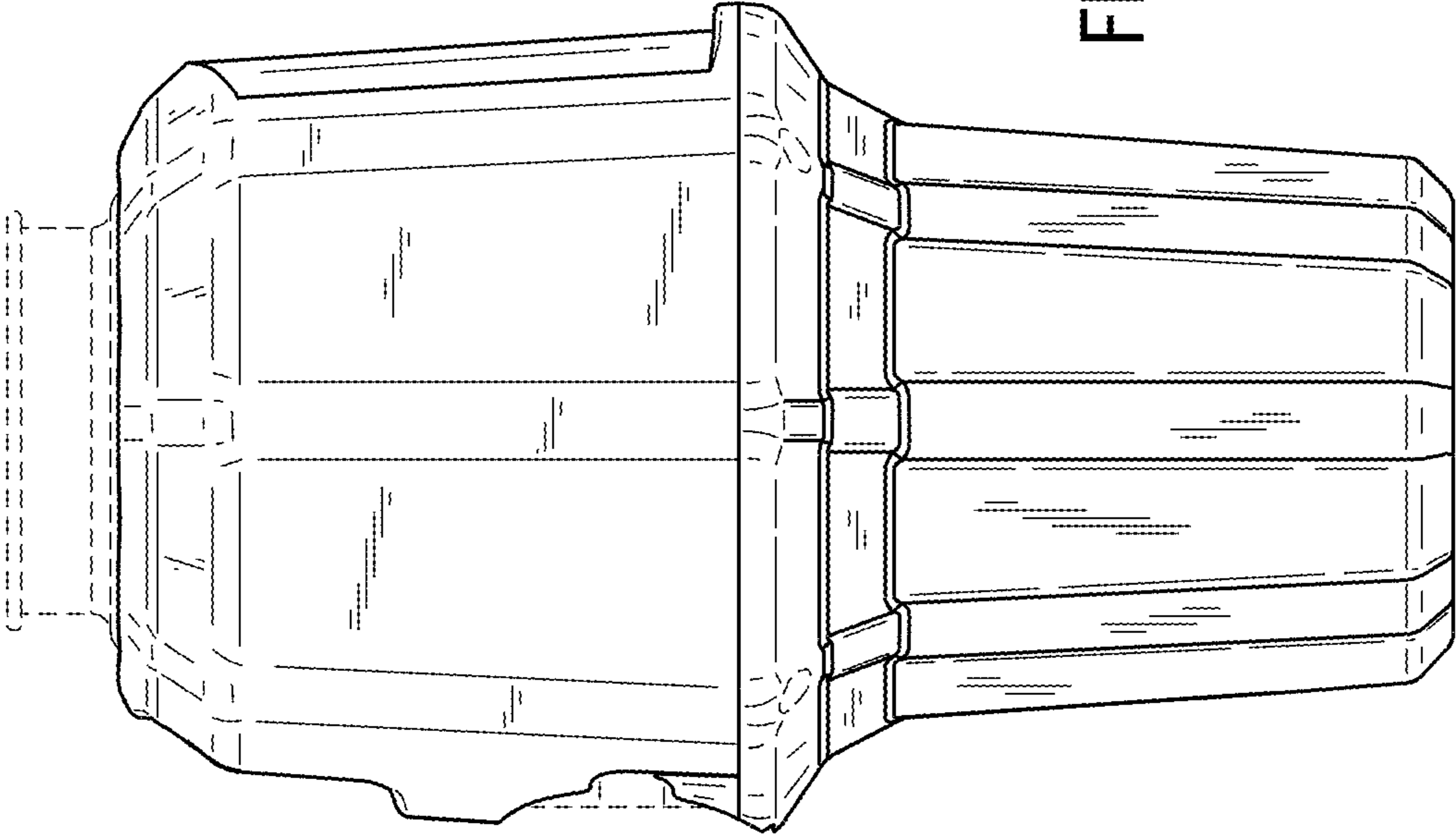


FIG. 5

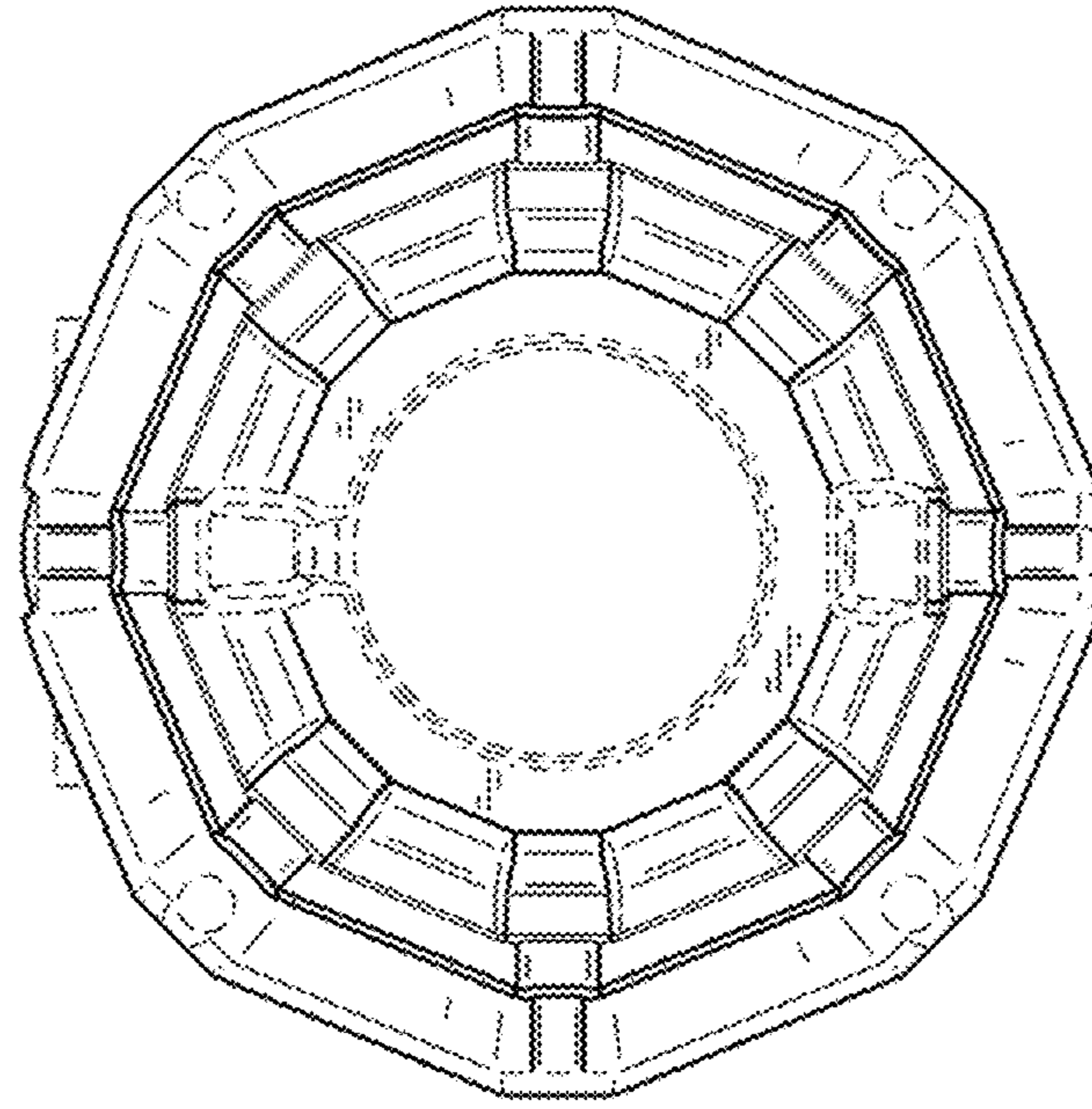


FIG. 6

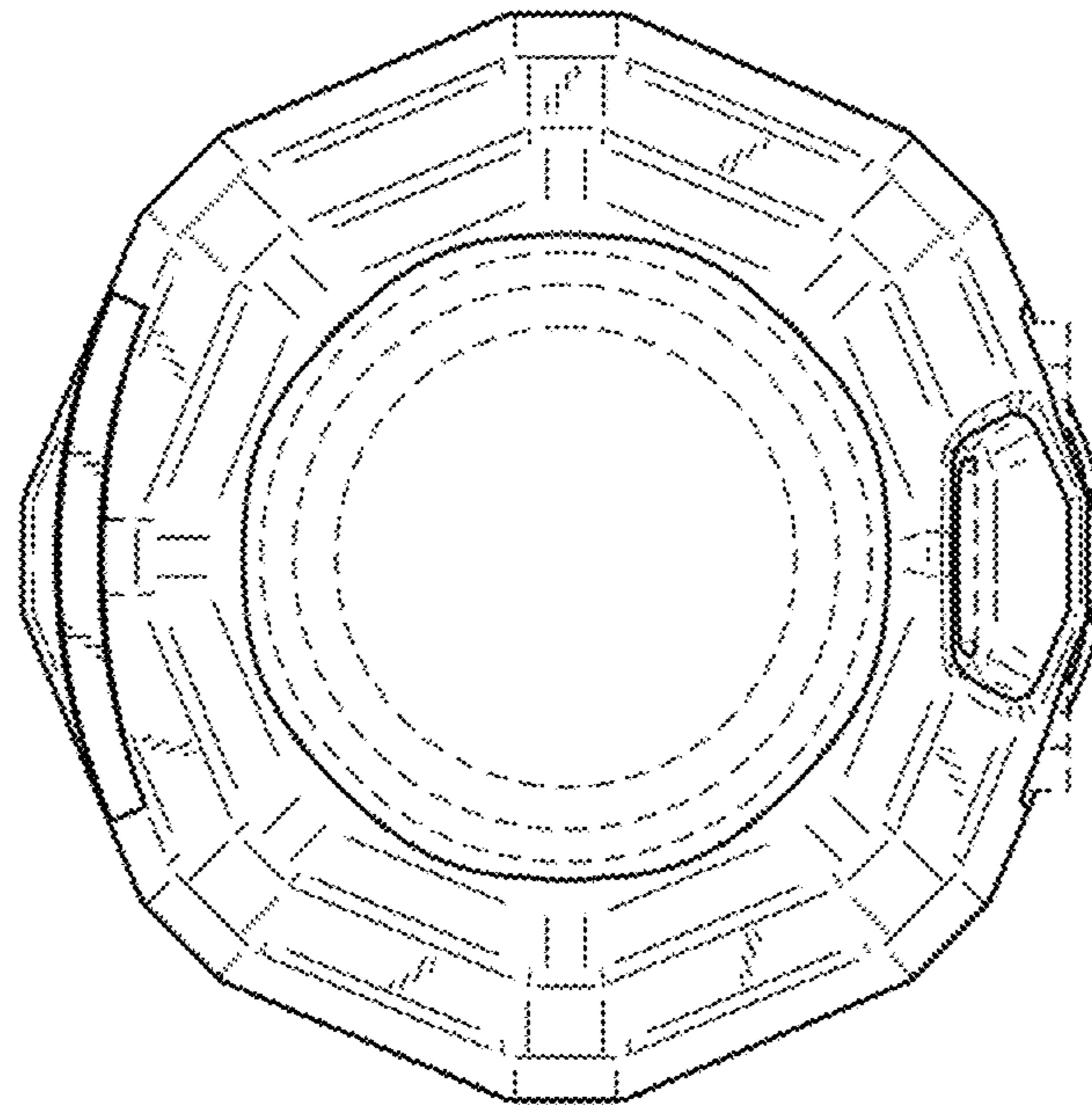


FIG. 7