



US00D915815S

(12) **United States Design Patent** (10) **Patent No.:** **US D915,815 S**
Hua (45) **Date of Patent:** **** Apr. 13, 2021**

(54) **PASTA MAKER**

(71) Applicant: **KONINKLIJKE PHILIPS N.V.**,
Eindhoven (NL)

(72) Inventor: **Hao Hua**, Eindhoven (NL)

(73) Assignee: **KONINKLIJKE PHILIPS N.V.**,
Eindhoven (NL)

(**) Term: **15 Years**

(21) Appl. No.: **29/746,358**

(22) Filed: **Aug. 13, 2020**

Related U.S. Application Data

(63) Continuation of application No. 29/672,077, filed on
Dec. 3, 2018, now Pat. No. Des. 893,241.

(30) **Foreign Application Priority Data**

Jun. 14, 2018 (EM) 005310000

(51) **LOC (13) Cl.** **31-00**

(52) **U.S. Cl.**
USPC **D7/368; D7/376**

(58) **Field of Classification Search**
USPC D7/368, 665-668, 369-386
CPC A21C 1/06; A21C 1/144; A21C 11/16;
A21C 11/22; A21C 11/20

See application file for complete search history.

(56) **References Cited**

U.S. PATENT DOCUMENTS

D325,852 S * 5/1992 Giannelli D7/368
5,460,506 A * 10/1995 Price, IV A21C 1/06
366/158.1
D376,725 S * 12/1996 Kang D7/368
D551,493 S * 9/2007 Marcato D7/368
2003/0150337 A1* 8/2003 Ancona A21C 11/22
99/353

* cited by examiner

Primary Examiner — Terry A Wallace

(57) **CLAIM**

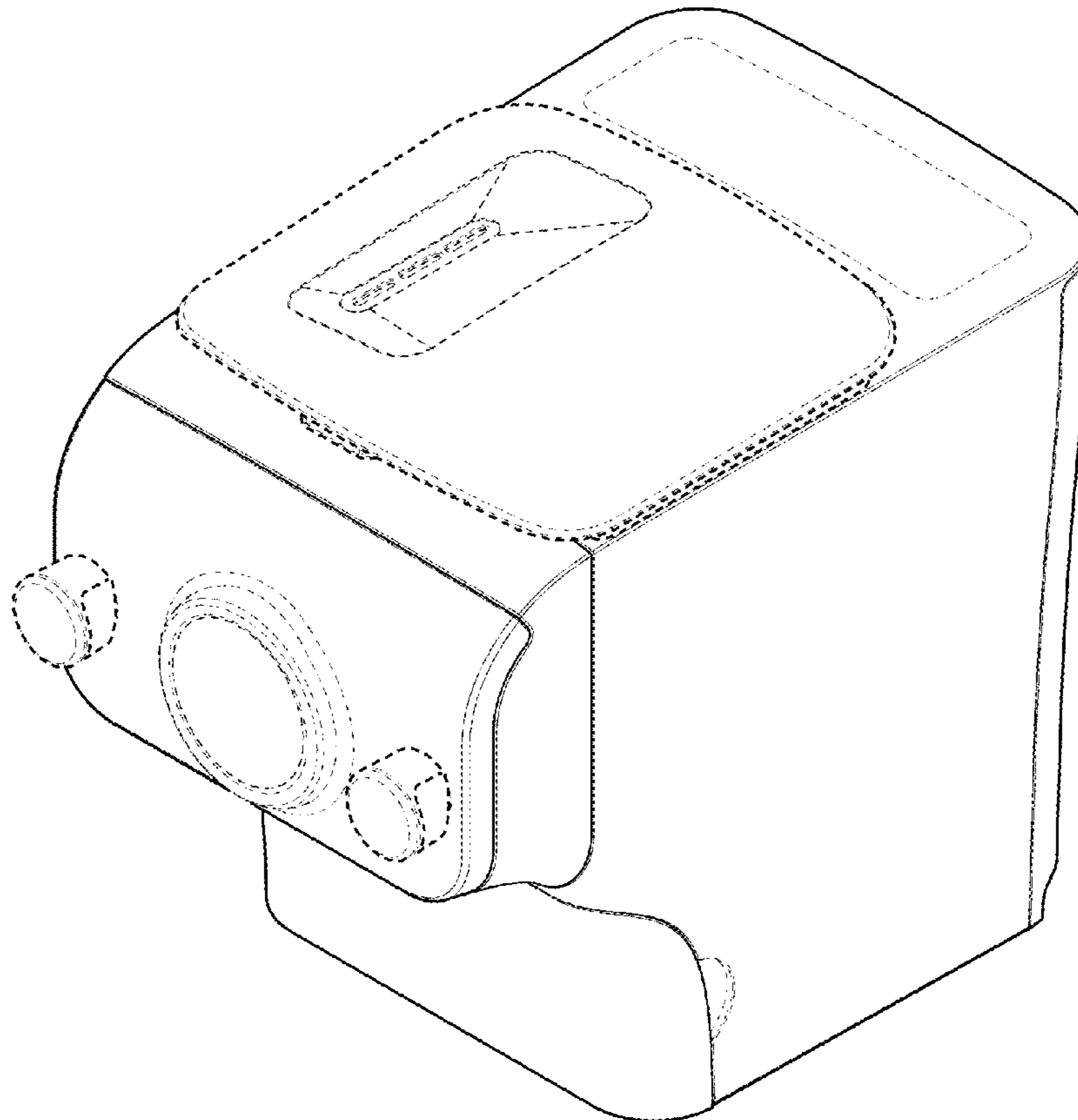
The ornamental design for a pasta maker, as shown.

DESCRIPTION

FIG. 1 is a perspective view showing a pasta maker design;
FIG. 2 is a front elevational view thereof;
FIG. 3 is a rear elevational view thereof;
FIG. 4 is a right side elevational view thereof;
FIG. 5 is a left side elevational view thereof;
FIG. 6 is a top plan view thereof; and,
FIG. 7 is a bottom plan view thereof.

The portions of the pasta maker shown in broken lines are included for the purpose of illustration unclaimed portions of the pasta maker and form no part of the claimed design.

1 Claim, 7 Drawing Sheets



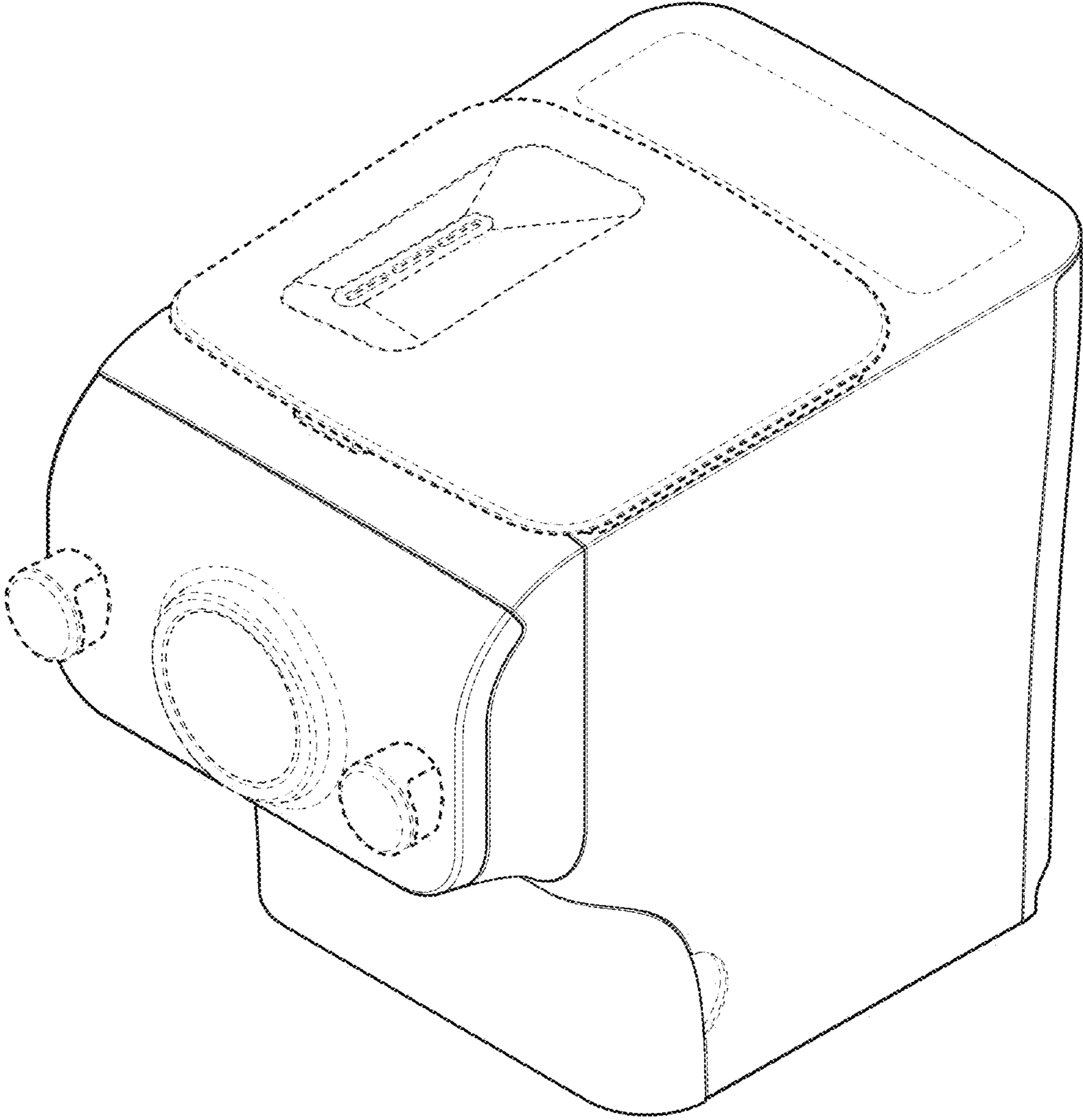


FIG. 1

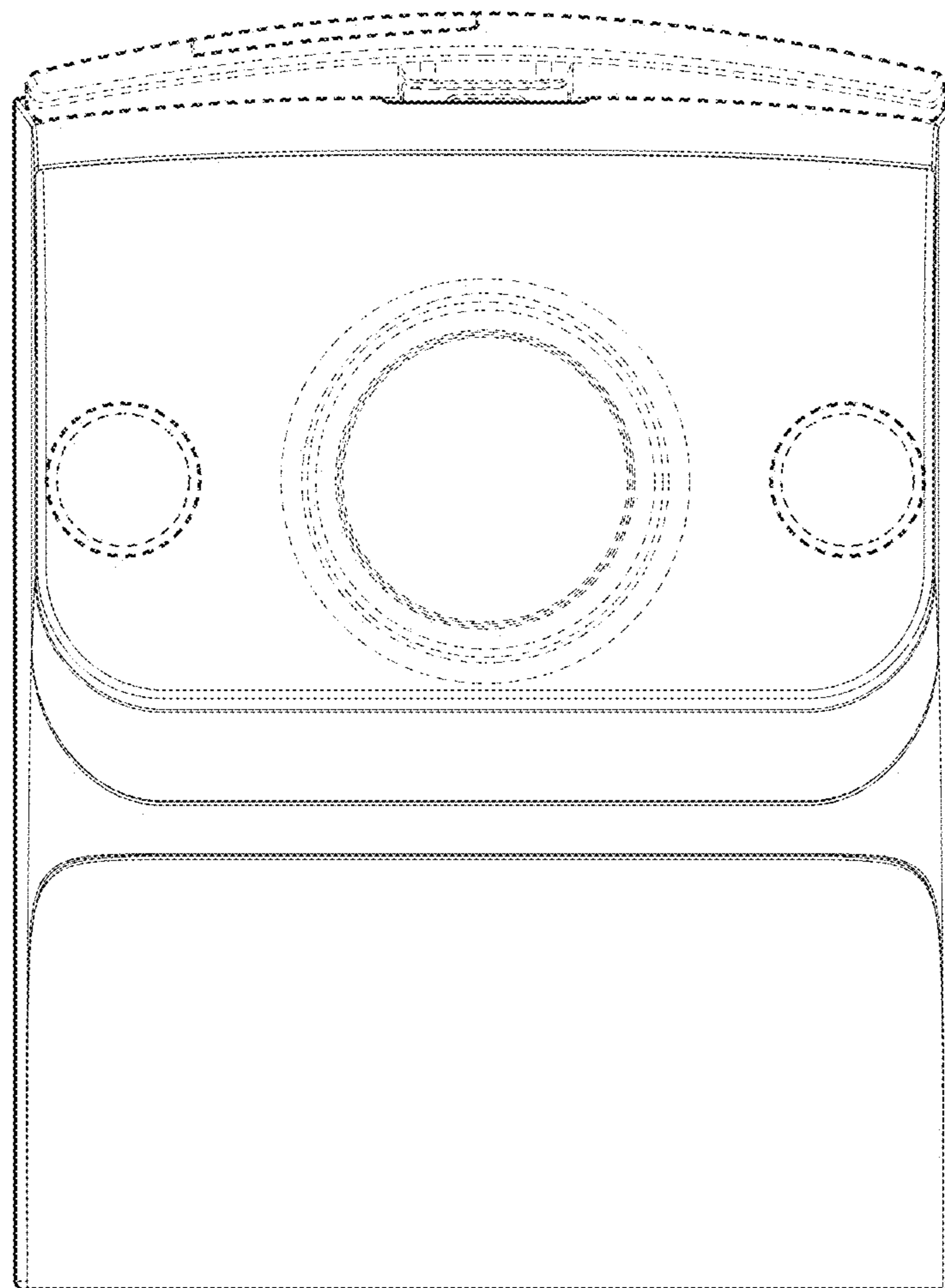


FIG. 2

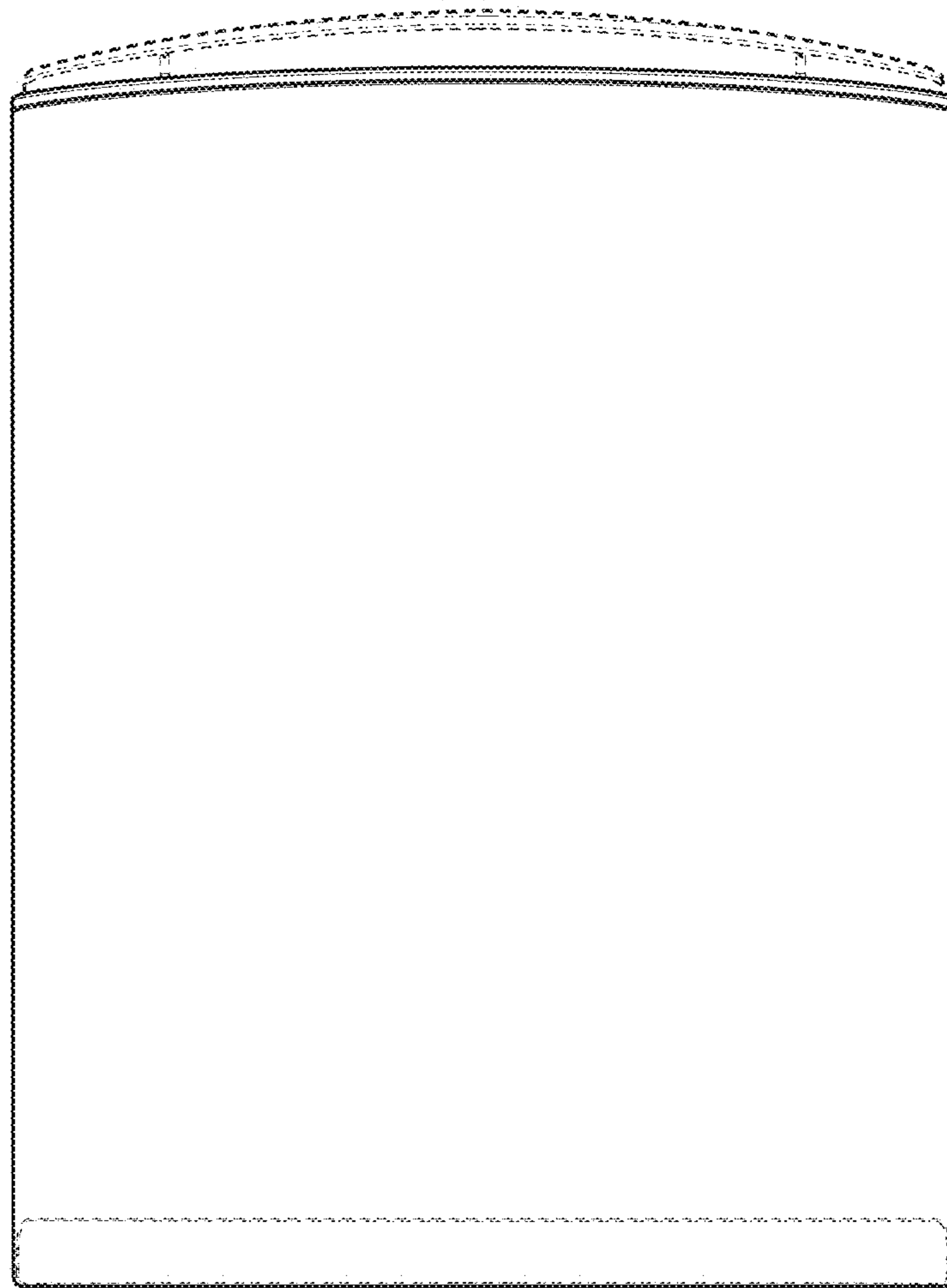


FIG. 3

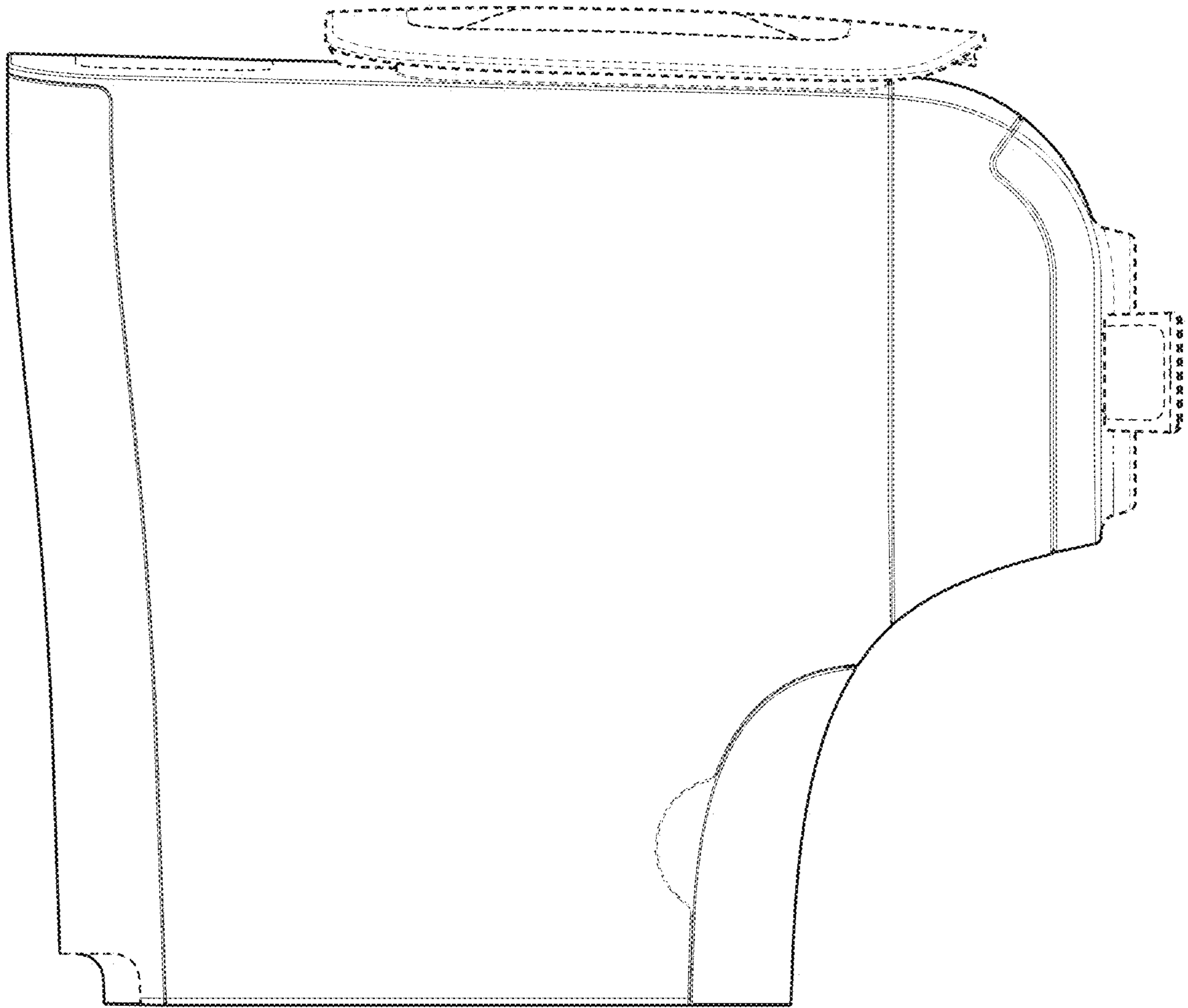


FIG. 4

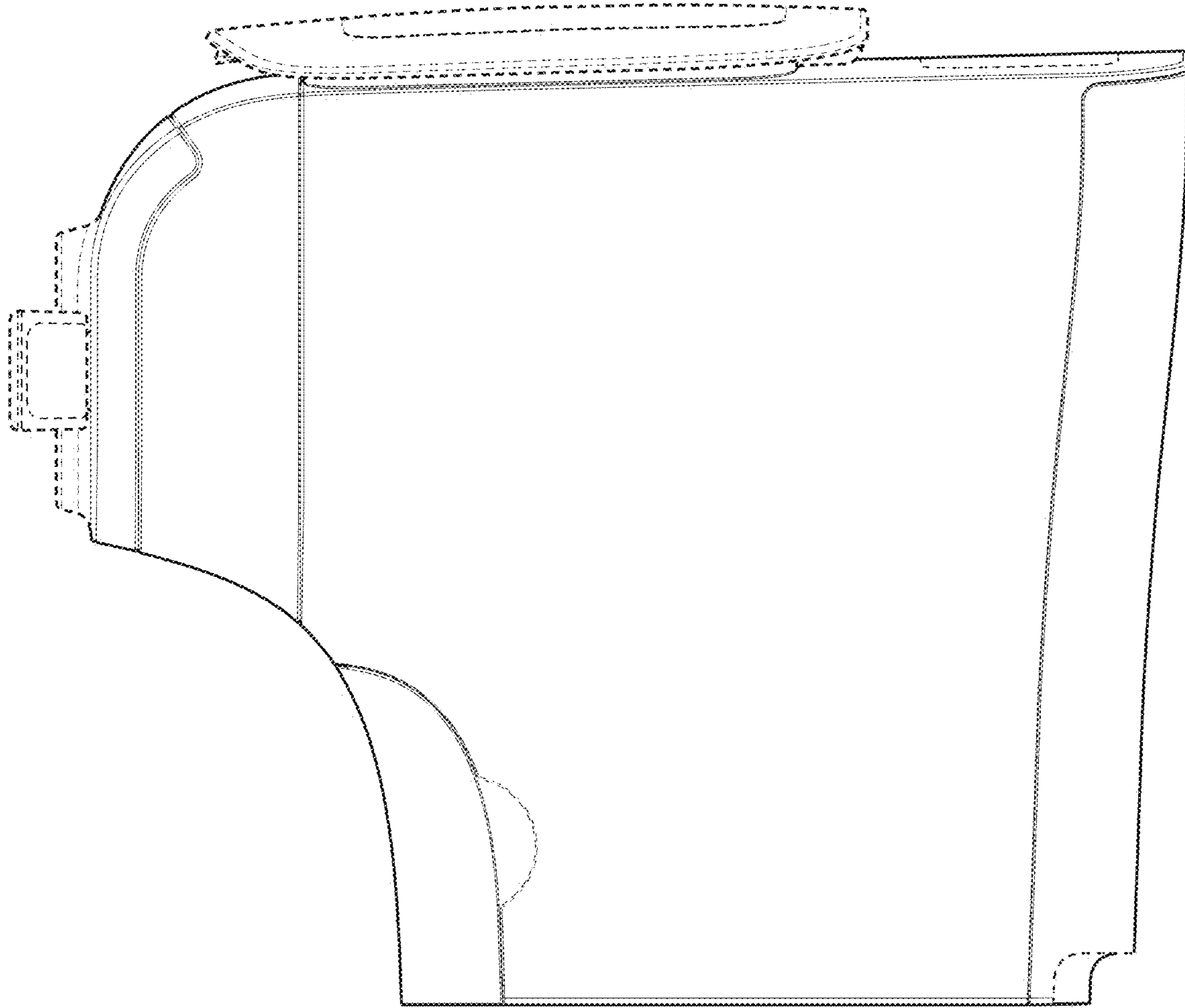


FIG. 5

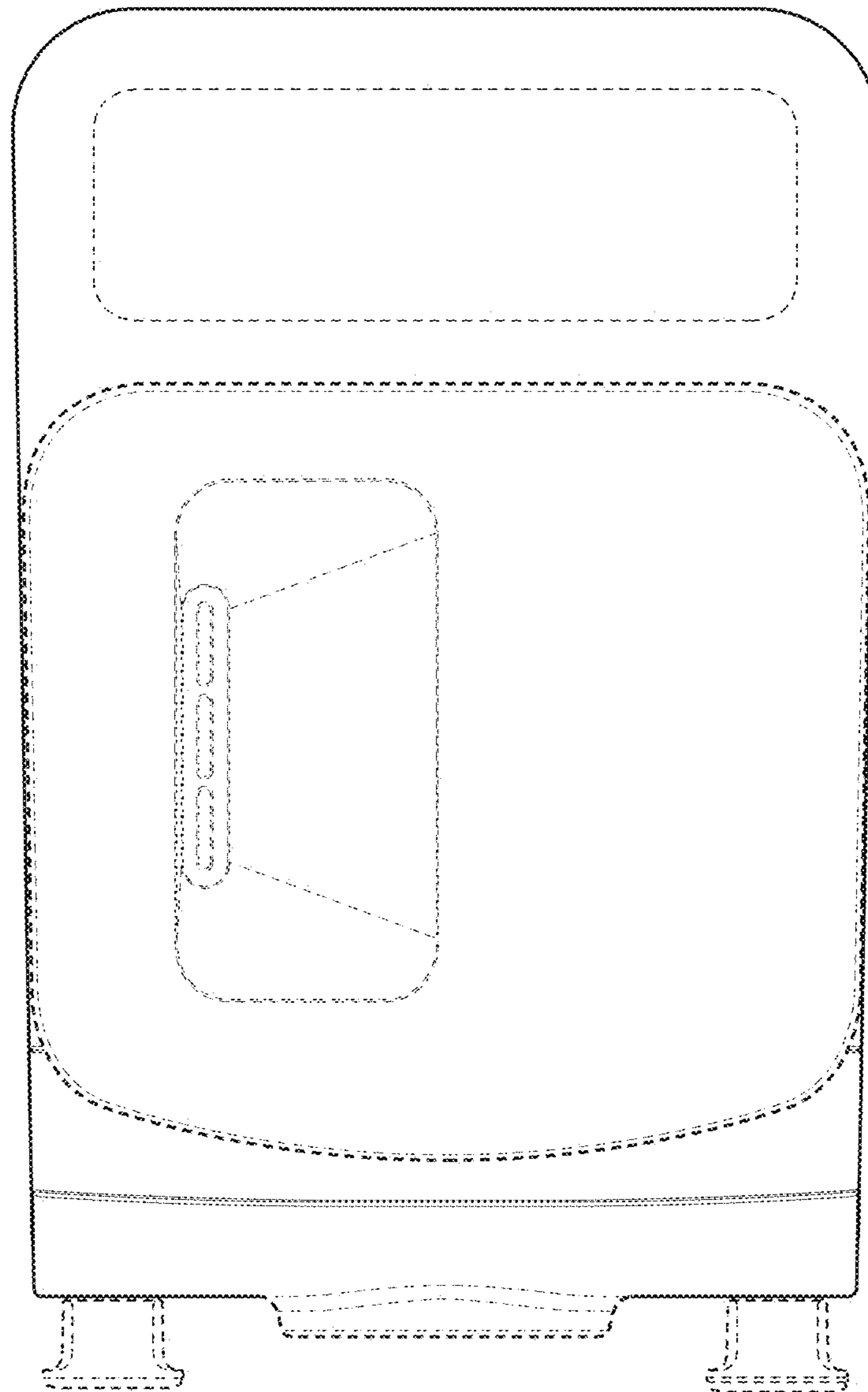


FIG. 6

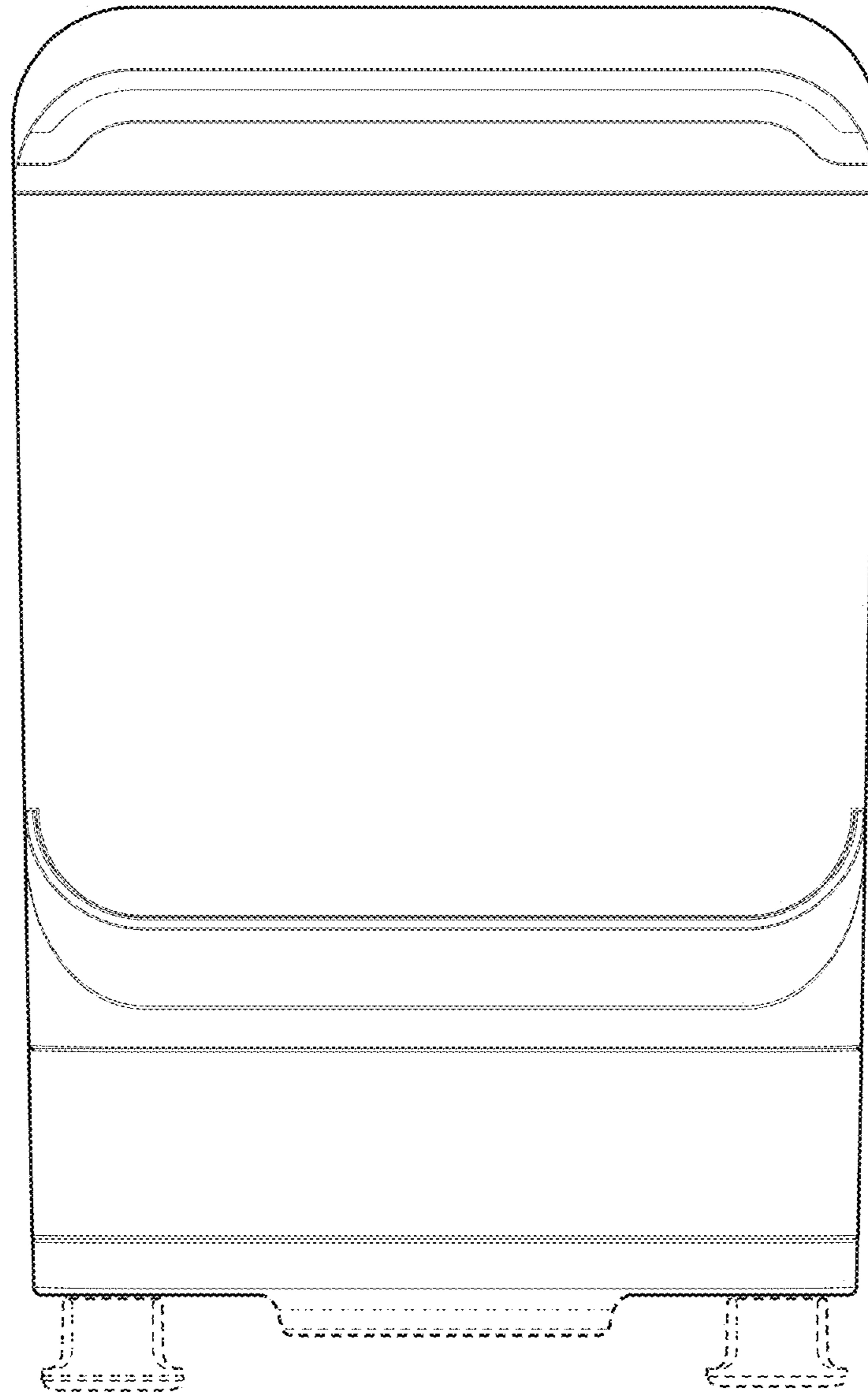


FIG. 7